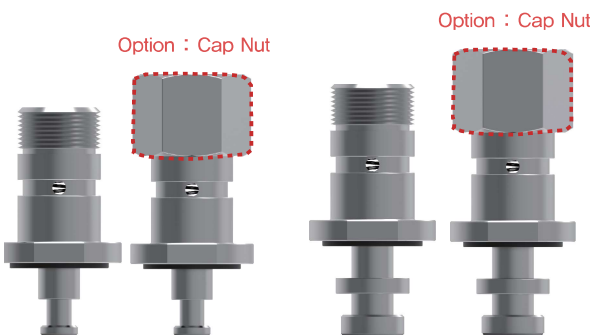


# LOW FRICTION VACUUM PAD HOLDER

## VPG SERIES

- Minimized Current Vacuum Pad Holder  
→ Realized small space
- Customer's need such as non rotating  
→ Respond as Special order item



Stroke : 3mm

※ Fitting and pad is excluded.

### • Non Friction on Body against Non Rotating Part

According to different structure as current non rotating part, Non friction on body against non rotating part

### • Direct Mounting Type Holder

### • Rotating/Non Rotating Type(Option)

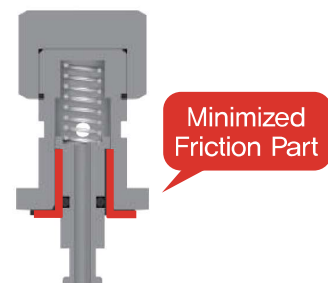
According to usage, rotating/non rotating option can be selected

### • Copper Free Type

### • Excellent Durability

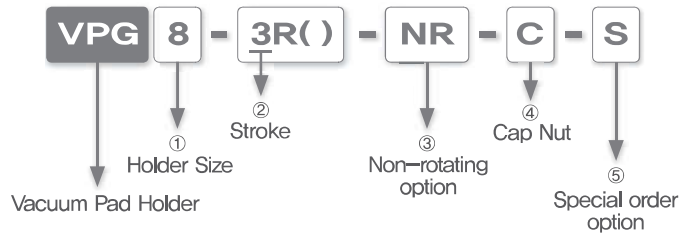
According to use special bush inner holder shaft, smooth and stable Up&Down moving and Excellent durability

### • Mimimized Particle on Long time Using



〈Cross section of holder〉

## Order Information



### ①. Holder Size

Code	8		15	
Pad Size	Ø6	Ø8	Ø10	Ø15

### ②. Stroke

Code	3
Stroke	3mm

### ③. Non-rotating option

Code	No code	NR
Option	Standard	Non-rotating option

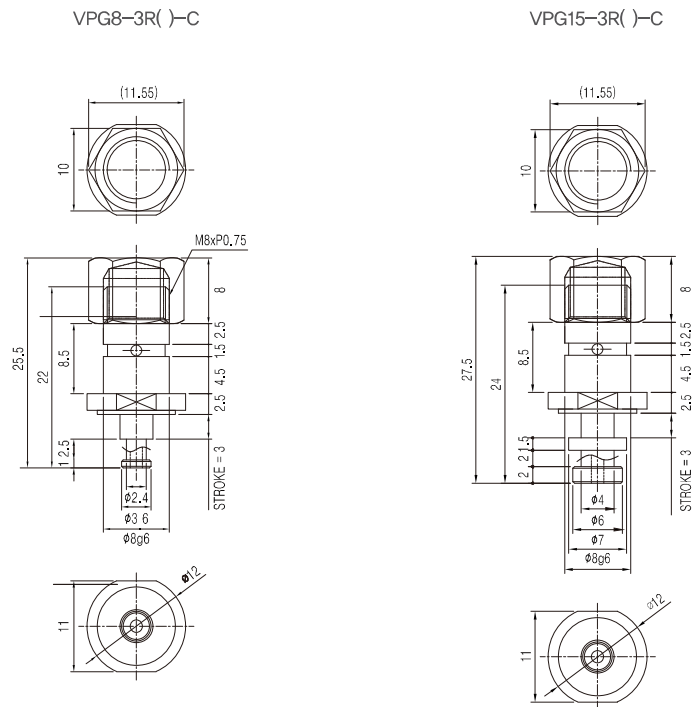
### ④. Cap Nut

Code	No code	C	O
Option	None	Cap Nut	Cap Nut + O-ring

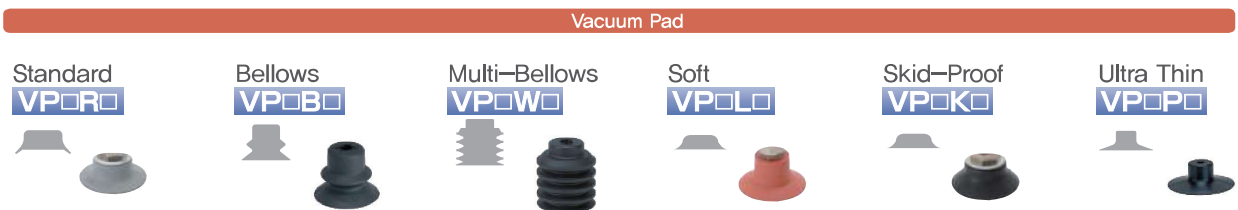
### ⑤. Special order option

Code	No code	S
Option	Standard	Special Ordered Products

## Dimension (mm)



## Related Product



- ※1. 6 ~ 15 Ø dimension of pad can be used.
- ※2. Antistatics pads for surface resistance  $10^5 \sim 10^9$ ohm can be used.
- ※3. When using other pads except for above, please request to our sales office and distributor.