



S

wivel

Joint



IHARA SCIENCE CORPORATION

Swivel Joint (Types SJC, SJK, SJM, SJS and SJH)

【Features】

The swivel joints are widely used in hydraulic piping for such as construction equipment, machine tools, general industrial machines, etc. Specially used in the hydraulic pressure piping and they show the excellent performance against low speed rotation and/or reciprocating rotational motion.

Mainly above types are used for connections between fixed piping and high-pressure hose preventing hose torsion.

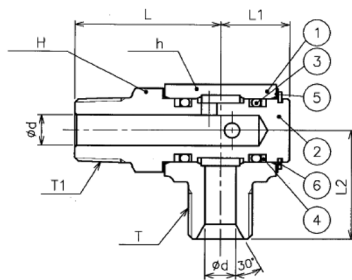
Type	Rated Pressure	Durability※1	Shape	Fluid	Reference
SJC	14MPa	100 K times	Elbow	Hydraulic oil -20°C~95°C	Compacted by 30% Torque 30~80% reduced
SJK			Straight		
SJM	21MPa		Elbow		
SJS					
SJH		300 K times	Long life type		

※1 According to our in-house testing.
For actual usage, it might be different by service conditions.

★ In addition, rated pressure of 25 and 35MPa are available upon request.

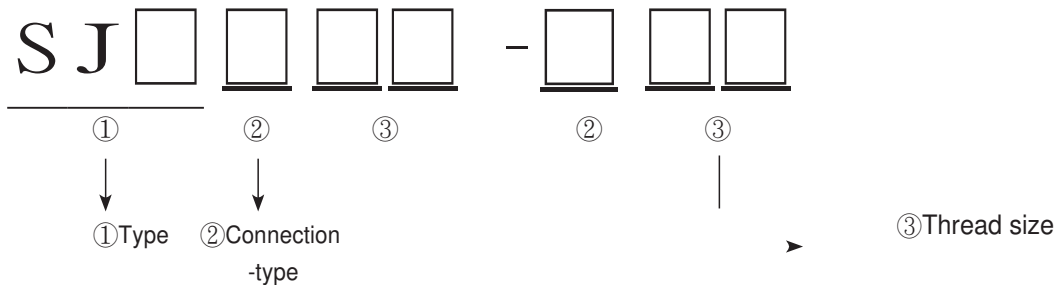
Main Material

(Ex.) SJC6** - 4** series



Part Name	Q'ty	Material
①Body	1	S45C
②Rotor	1	S45C
③O-ring	2	NBR
④Back up ring	2	PTFE
⑤Collar	2	C2680P or C2801P
⑥Snap ring	1	SK5

Model Numbers



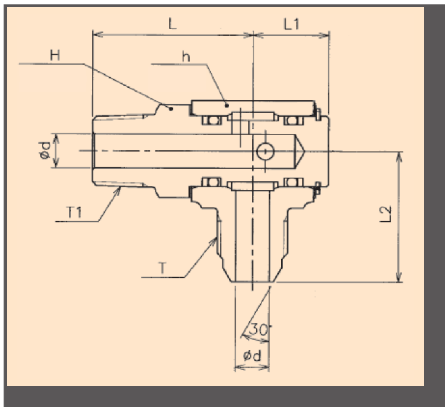
SJC
SJK
SJM
SJS
SJH

Mark	Description
4	R Thread (male)
5	R Thread (female)
6	Male(G) thread, Male seat
7	Male (G) thread, Female seat
8	Female (G) thread, Male seat

Mark	Size
02	1/4
03	3/8
04	1/2
06	3/4
08	1
10	1-1/4
12	1-1/2

Type : SJC

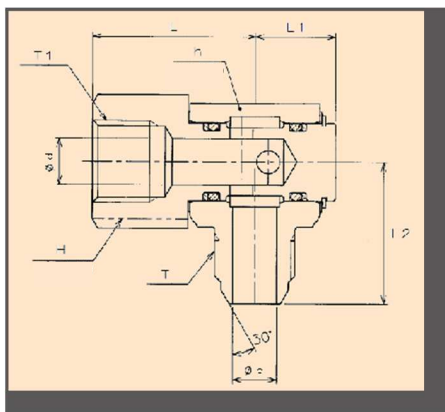
Elbow type (14MPa)



SJC6 * * - 4 * *

Unit : mm

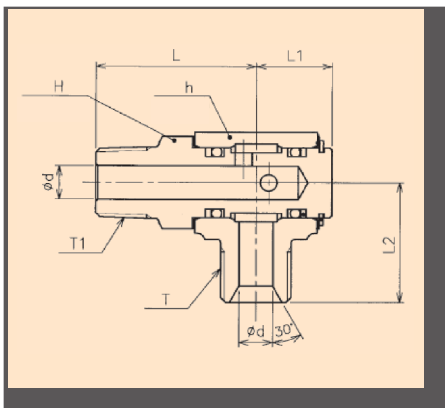
Model Nos.	T (G)	T1 (R)	d	L	L1	L2	h Width across flats	H Hex. width
SJC602-402	1/4	1/4	5	34.5	16.5	29	22	14
SJC603-403	3/8	3/8	8	38	18	31	24	19
SJC604-404	1/2	1/2	11.5	45.5	21	37	30	22
SJC606-406	3/4	3/4	16	54	26	41	36	30
SJC608-408	1	1	20	63.5	32	47	46	36



SJC6 * * - 5 * *

Unit : mm

Model Nos.	T (G)	T1 (Rc)	d	L	L1	L2	h	H
SJC602-502	1/4	1/4	5	31.5	16.5	29	22	19
SJC603-503	3/8	3/8	8	35	18	31	24	24
SJC604-504	1/2	1/2	11.5	42.5	21	37	30	30
SJC606-506	3/4	3/4	16	51	26	41	36	36
SJC608-508	1	1	20	60.5	32	47	46	41



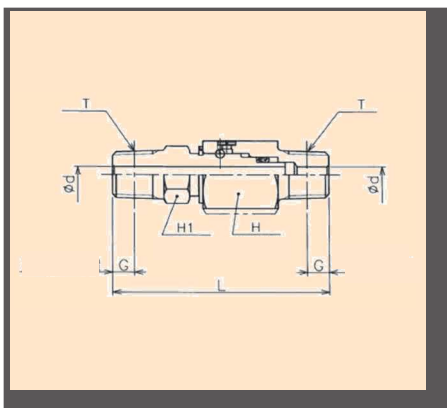
SJC7 * * - 4 * *

Unit : mm

Model Nos.	T (G)	T1 (R)	d	L	L1	L2	h	H
SJC702-402	1/4	1/4	5	34.5	16.5	26	22	14
SJC703-403	3/8	3/8	8	38	18	28	24	19
SJC704-404	1/2	1/2	11.5	45.5	21	35	30	22
SJC706-406	3/4	3/4	16	54	26	40	36	30
SJC708-408	1	1	20	63.5	32	47	46	36

Type : SJK

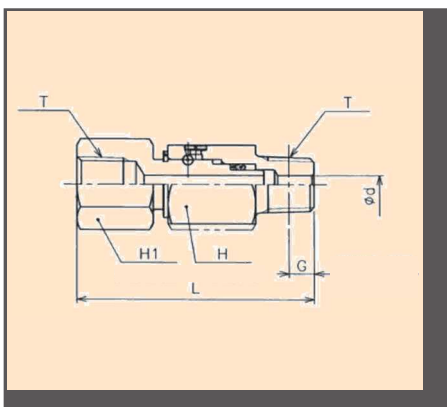
Straight type (14 MPa)



SJK4 * * - 4 * *

Unit : mm

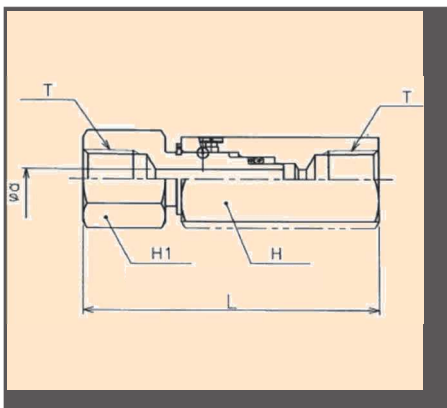
Model Nos.	T (R)	d	Hex. width		Position at standard diameter, G	
			L	H		
SJK402-402	1/4	4.5	59	19	14	6.01
SJK403-403	3/8	7	62	22	19	6.35
SJK404-404	1/2	10	70.5	27	22	8.16
SJK406-406	3/4	13	94.5	36	30	9.53
SJK408-408	1	18	108	41	36	10.39
SJK410-410	1 1/4	25	118.5	50	46	12.7



SJK4 * * - 5 * *

Unit : mm

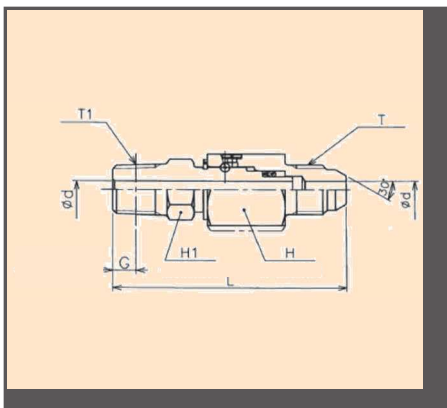
Model Nos.	T (R×Rc)	d	Hex. width.		G	
			L	H		
SJK402-502	1/4	4.5	56	19	19	6.01
SJK403-503	3/8	7	60	22	22	6.35
SJK404-504	1/2	10	67.5	27	27	8.16
SJK406-506	3/4	13	91.5	36	36	9.53
SJK408-508	1	18	101	41	41	10.39
SJK410-510	1 1/4	25	109.5	50	50	12.7



SJK5 * * - 5 * *

Unit : mm

Model Nos.	T (Rc)	d	Hex. width		
			L	H	
SJK502-502	1/4	4.5	65	19	19
SJK503-503	3/8	7	69.5	22	22
SJK504-504	1/2	10	78.5	27	27
SJK506-506	3/4	13	102	36	36
SJK508-508	1	18	109	41	41
SJK510-510	1 1/4	25	119.5	50	50

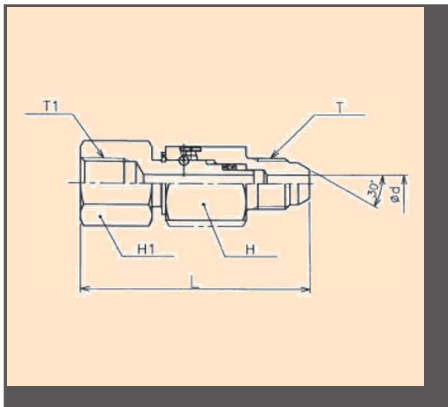


SJK6 * * - 4 * *

Unit : mm

Model Nos.	T (G)	T1 (R)	d	Hex. width		G	
				L	H		
SJK602-402	1/4	1/4	4.5	61	19	14	6.01
SJK603-403	3/8	3/8	7	64.5	22	19	6.35
SJK604-404	1/2	1/2	10	72.5	27	22	8.16
SJK606-406	3/4	3/4	13	95	36	30	9.53
SJK608-408	1	1	18	106.5	41	36	10.39
SJK610-410	1 1/4	1 1/4	25	118.5	50	46	12.7

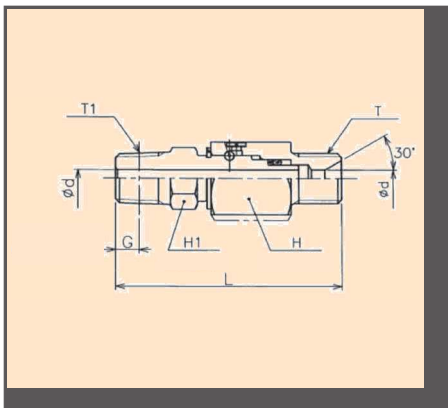
Type : SJK



SJK6 * * - 5 * *

Unit : mm

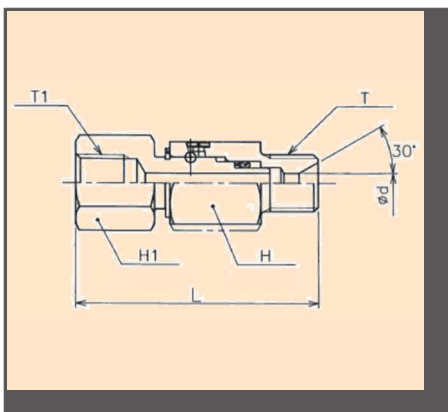
Model Nos.	T (G)	T1 (Rc)	d	Hex. width		
				L	H	H1
SJK602-502	1/4	1/4	4.5	58	19	19
SJK603-503	3/8	3/8	7	62.5	22	22
SJK604-504	1/2	1/2	10	69.5	27	27
SJK606-506	3/4	3/4	13	92	36	36
SJK608-508	1	1	18	99.5	41	41
SJK610-510	1 1/4	1 1/4	25	109.5	50	50



SJK7 * * - 4 * *

Unit : mm

Model Nos.	T (G)	T1 (R)	d	Hex. width			G
				L	H	H1	
SJK702-402	1/4	1/4	4.5	58	19	14	6.01
SJK703-403	3/8	3/8	7	62	22	19	6.35
SJK704-404	1/2	1/2	10	70.5	27	22	8.16
SJK706-406	3/4	3/4	13	93.5	36	30	9.53
SJK708-408	1	1	18	106	41	36	10.39
SJK710-410	1 1/4	1 1/4	25	117.5	50	46	12.7



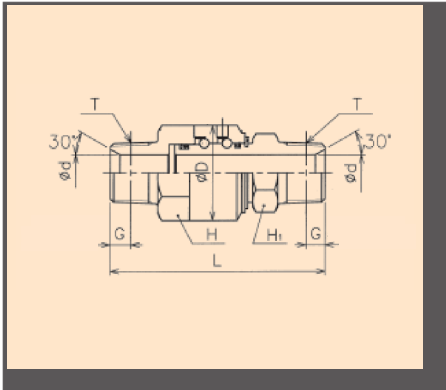
SJK7 * * - 5 * *

Unit : mm

Model Nos.	T (G)	T1 (Rc)	d	Hex. width		
				L	H	H1
SJK702-502	1/4	1/4	4.5	55	19	19
SJK703-503	3/8	3/8	7	60	22	22
SJK704-504	1/2	1/2	10	67.5	27	27
SJK706-506	3/4	3/4	13	90.5	36	36
SJK708-508	1	1	18	99	41	41
SJK710-510	1 1/4	1 1/4	25	108.5	50	50

Type : SJM

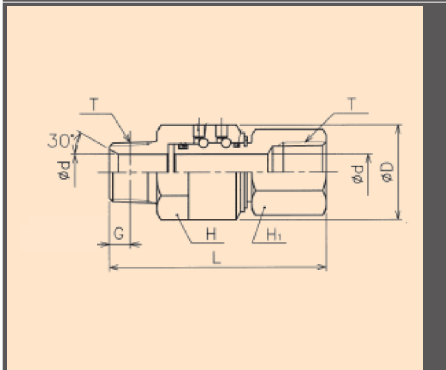
Straight type (21 MPa)



SJM4 * * - 4 * *

Unit : mm

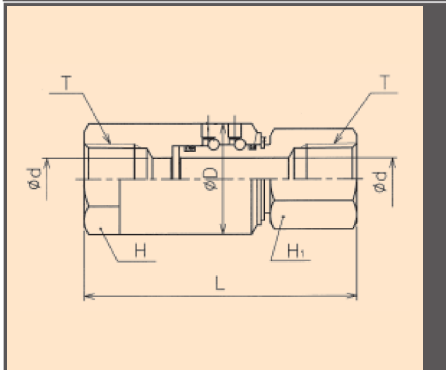
Model Nos.	T (R)	d	D	Hex. width			G
				L	H	H1	
SJM402-402	1/4	5	25.5	64	22	14	6.01
SJM403-403	3/8	8	28.5	75	22	19	6.35
SJM404-404	1/2	11.5	33	85	27	22	8.16
SJM406-406	3/4	16	42	97	36	30	9.53
SJM408-408	1	20	47.5	107	41	36	10.39
SJM410-410	1 1/4	26	58	126.5	50	46	12.7



SJM4 * * - 5 * *

Unit : mm

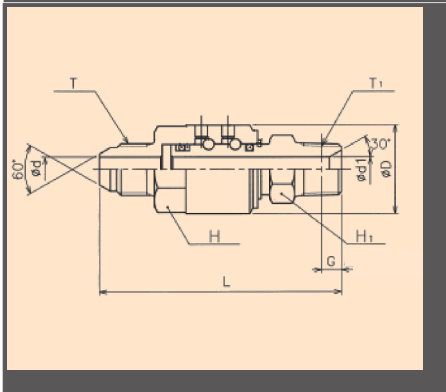
Model Nos.	T (R×Rc)	d	D	Hex. size			G
				L	H	H1	
SJM402-502	1/4	5	25.5	61	22	19	6.01
SJM403-503	3/8	8	28.5	72	22	24	6.35
SJM404-504	1/2	11.5	33	82	27	30	8.16
SJM406-506	3/4	16	42	94	36	36	9.53
SJM408-508	1	20	47.5	104	41	46	10.39
SJM410-510	1 1/4	26	58	123.5	50	55	12.7



SJM5 * * - 5 * *

Unit : mm

Model Nos.	T (Rc)	d	D	Hex. width		
				L	H	H1
SJM502-502	1/4	5	25.5	62	22	19
SJM503-503	3/8	8	28.5	73	24	24
SJM504-504	1/2	11.5	33	84	30	30
SJM506-506	3/4	16	42	94	36	36
SJM508-508	1	20	—	105	50	46
SJM510-510	1 1/4	26	—	124	60	55

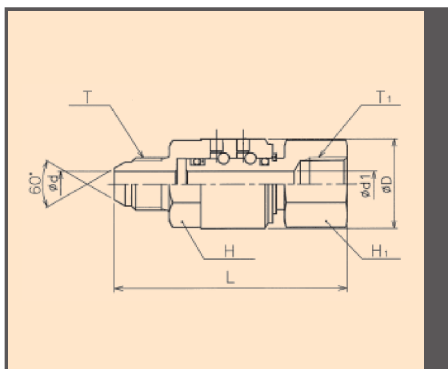


SJM6 * * - 4 * *

Unit : mm

Model Nos.	T (G)	T1 (R)	d	d1	D	Hex. width			G
						L	H	H1	
SJM602-402	1/4	1/4	5	5	25.5	66	22	14	6.01
SJM603-403	3/8	3/8	8	8	28.5	77.5	22	19	6.35
SJM604-404	1/2	1/2	11	11.5	33	86	27	22	8.16
SJM606-406	3/4	3/4	16	16	42	97.5	36	30	9.53
SJM608-408	1	1	20	20	47.5	105.5	41	36	10.39
SJM610-410	1 1/4	1 1/4	26	26	58	126.5	50	46	12.7

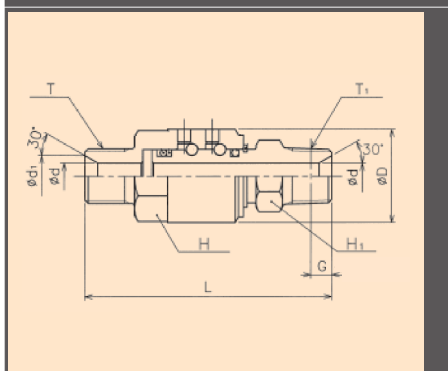
Type : SJM



SJM6 * * - 5 * *

Unit : mm

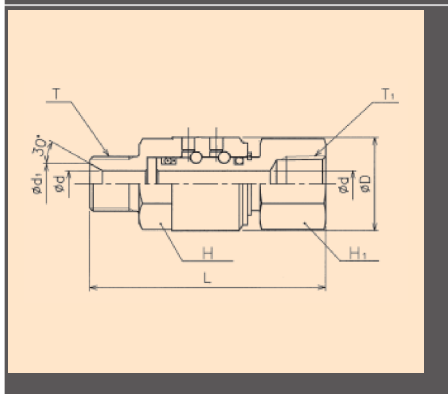
Model Nos.	T (G)	T1 (Rc)	d	d1	D	L	Hex. width	
							H	H1
SJM602-502	1/4	1/4	5	5	25.5	63	22	19
SJM603-503	3/8	3/8	8	8	28.5	74.5	22	24
SJM604-504	1/2	1/2	11	11.5	33	83	27	30
SJM606-506	3/4	3/4	16	16	42	94.5	36	36
SJM608-508	1	1	20	20	47.5	102.5	41	46
SJM610-510	1 1/4	1 1/4	26	26	58	123.5	50	55



SJM7 * * - 4 * *

Unit : mm

Model Nos.	T (G)	T1 (R)	d	d1	D	L	Hex. width		G
							H	H1	
SJM702-402	1/4	1/4	5	9.5	25.5	63	22	14	6.01
SJM703-403	3/8	3/8	8	12.5	28.5	75	22	19	6.35
SJM704-404	1/2	1/2	11.5	16	33	84	27	22	8.16
SJM706-406	3/4	3/4	16	21.5	42	96	36	30	9.53
SJM708-408	1	1	20	27.5	47.5	105	41	36	10.39
SJM710-410	1 1/4	1 1/4	26	36	58	125.5	50	46	12.7



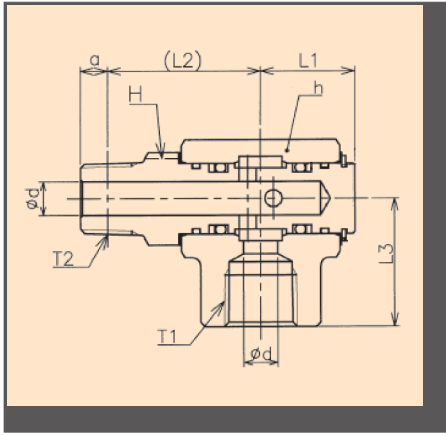
SJM7 * * - 5 * *

Unit : mm

Model Nos.	T (G)	T1 (Rc)	d	d1	D	L	Hex. width	
							H	H1
SJM702-502	1/4	1/4	5	9.5	25.5	60	22	19
SJM703-503	3/8	3/8	8	12.5	28.5	72	22	24
SJM704-504	1/2	1/2	11.5	16	33	81	27	30
SJM706-506	3/4	3/4	16	21.5	42	93	36	36
SJM708-508	1	1	20	27.5	47.5	102	41	46
SJM710-510	1 1/4	1 1/4	26	36	58	122.5	50	55

Type : SJS

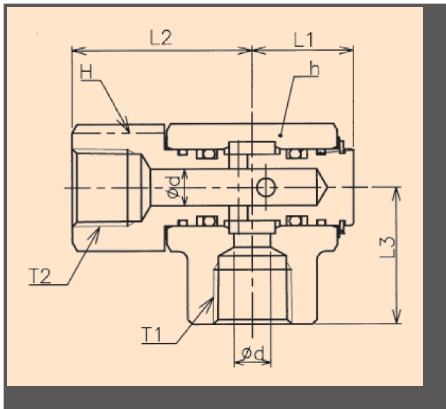
Elbow type (21MPa)



SJS5 * * - 4 * *

Unit : mm

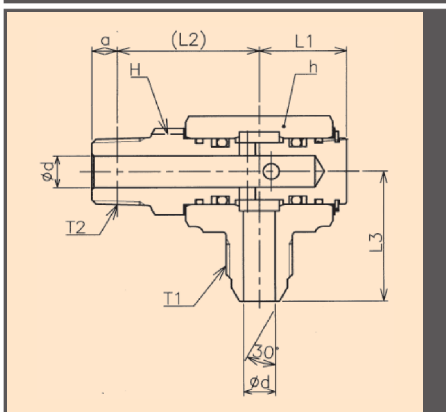
Mod	T1 (Rc)	T2 (R)	d	L1	L2	L3	a	h	H
SJS502-402	1/4	1/4	5	19.5	31.5	30	6.01	22	14
SJS503-403	3/8	3/8	8	22	35.5	30	6.35	27	19
SJS504-404	1/2	1/2	11.5	24	40.5	35	8.16	32	22
SJS506-406	3/4	3/4	16	30	48.5	42	9.53	41	30
SJS508-408	1	1	20	36	57	46	10.39	46	36
SJS510-410	1 1/4	1 1/4	26	40	65.5	58	12.7	60	46



SJS5 * * - 5 * *

Unit : mm

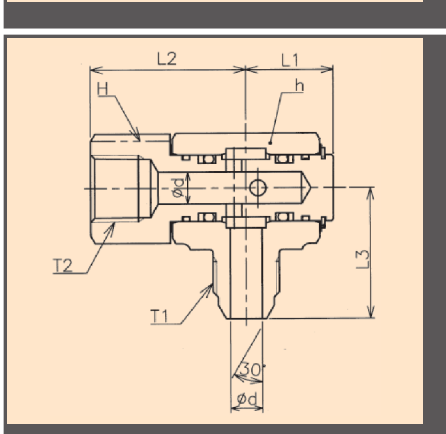
Model Nos.	T1 (Rc)	T2 (Rc)	d	L1	L2	L3	h	H
SJS502-502	1/4	1/4	5	19.5	34.5	30	22	19
SJS503-503	3/8	3/8	8	22	39	30	27	24
SJS504-504	1/2	1/2	11.5	24	45.5	35	32	30
SJS506-506	3/4	3/4	16	30	55	42	41	36
SJS508-508	1	1	20	36	64.5	46	46	41
SJS510-510	1 1/4	1 1/4	26	40	75	58	60	55



SJS6 * * - 4 * *

Unit : mm

Model Nos.	T1 (G)	T2 (R)	d	L1	L2	L3	a	h	H
SJS602-402	1/4	1/4	5	19.5	31.5	30	6.01	22	14
SJS603-403	3/8	3/8	8	22	35.5	33	6.35	27	19
SJS604-404	1/2	1/2	11.5	24	40.5	38	8.16	32	22
SJS606-406	3/4	3/4	16	30	48.5	42	9.53	41	30
SJS608-408	1	1	20	36	57	47	10.39	46	36
SJS610-410	1 1/4	1 1/4	26	40	65.5	63	12.7	60	46

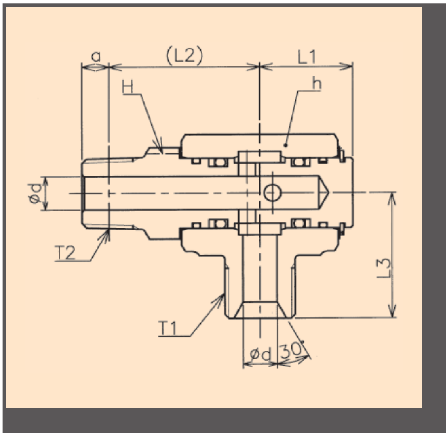


SJS6 * * - 5 * *

Unit : mm

Model Nos.	T1 (G)	T2 (Rc)	d	L1	L2	L3	h	H
SJS602-502	1/4	1/4	5	19.5	34.5	30	22	19
SJS603-503	3/8	3/8	8	22	39	33	27	24
SJS604-504	1/2	1/2	11.5	24	45.5	38	32	30
SJS606-506	3/4	3/4	16	30	55	42	41	36
SJS608-508	1	1	20	36	64.5	47	46	41
SJS610-510	1 1/4	1 1/4	26	40	75	63	60	55

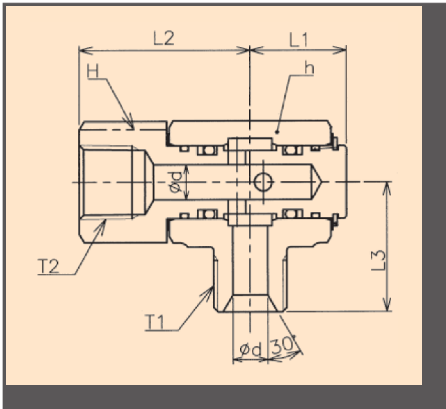
Type : SJS



SJS7 ** - 4 **

Unit : mm

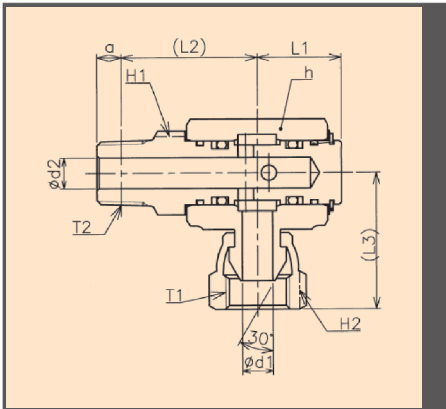
Model Nos.	T1 (G)	T2 (R)	d	L1	L2	L3	a	h	H
SJS702-402	1/4	1/4	5	19.5	31.5	29	6.01	22	14
SJS703-403	3/8	3/8	8	22	35.5	30	6.35	27	19
SJS704-404	1/2	1/2	11.5	24	40.5	35	8.16	32	22
SJS706-406	3/4	3/4	16	30	48.5	41	9.53	41	30
SJS708-408	1	1	20	36	57	47	10.39	46	36
SJS710-410	1 1/4	1 1/4	26	40	65.5	61	12.7	60	46



SJS7 ** - 5 **

Unit : mm

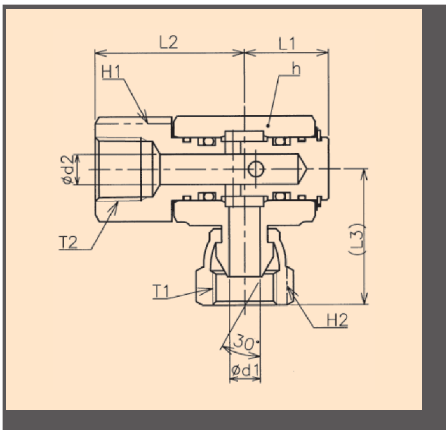
Model Nos.	T1 (G)	T2 (Rc)	d	L1	L2	L3	h	H
SJS702-502	1/4	1/4	5	19.5	34.5	29	22	19
SJS703-503	3/8	3/8	8	22	39	30	27	24
SJS704-504	1/2	1/2	11.5	24	45.5	35	32	30
SJS706-506	3/4	3/4	16	30	55	41	41	36
SJS708-508	1	1	20	36	64.5	47	46	41
SJS710-510	1 1/4	1 1/4	26	40	75	61	60	55



SJS8 ** - 4 **

Unit : mm

Model Nos.	T1 (G)	T2 (R)	d1	d2	L1	L2	L3	h	H1	H2	
SJS802-402	1/4	1/4	5	5	19.5	31.5	32.8	6.01	22	14	19
SJS803-403	3/8	3/8	8	8	22	35.5	34.8	6.35	27	19	22
SJS804-404	1/2	1/2	11.5	11.5	24	40.5	38.8	8.16	32	22	27
SJS806-406	3/4	3/4	16	16	30	48.5	44.6	9.53	41	30	36
SJS808-408	1	1	20	20	36	57	51.3	10.39	46	36	41
SJS810-410	1 1/4	1 1/4	27.5	26	40	65.5	65.5	12.7	60	46	50



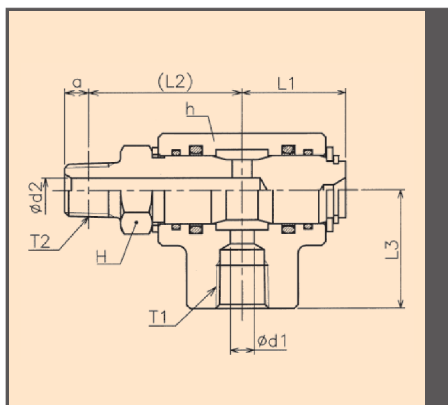
SJS8 ** - 5 **

Unit : mm

Model Nos.	T1 (G)	T2 Rc	d1	d2	L1	L2	L3	h	H1	H2
SJS802-502	1/4	1/4	5	5	19.5	34.5	32.8	22	19	19
SJS803-503	3/8	3/8	8	8	22	39	34.8	27	24	22
SJS804-504	1/2	1/2	11.5	11.5	24	45.5	38.8	32	30	27
SJS806-506	3/4	3/4	16	16	30	55	44.6	41	36	36
SJS808-508	1	1	20	20	36	64.5	51.3	46	41	41
SJS810-510	1 1/4	1 1/4	27.5	26	40	75	65.5	60	55	50

Type : SJH

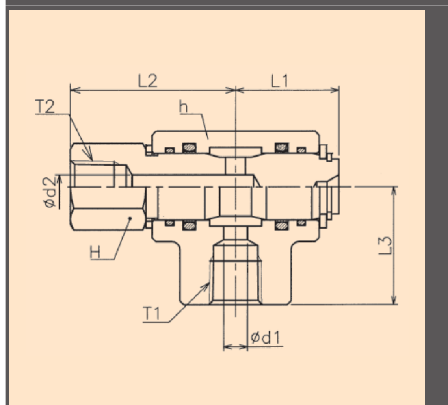
Elbow type (21MPa)



SJH5 * * - 4 * *

Unit : mm

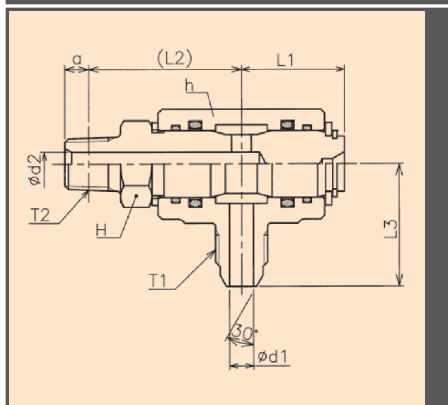
Model Nos.	T1 Rc	T2 (R)	d1	d2	L1	(約)	L3	a	h	H
						L2				
SJH502-402	1/4	1/4	6	6	26	38.5	30	6.01	27	19
SJH503-403	3/8	3/8	9	8.5	26	39.1	30	6.35	27	19
SJH504-404	1/2	1/2	12	12	28	44.3	36	8.16	32	24
SJH506-406	3/4	3/4	16	17	34	52	42	9.53	41	30
SJH508-408	1	1	22	22	36	58.6	46	10.39	46	36
SJH510-410	1 1/4	1 1/4	31	31	41	65.3	59	12.7	70	46
SJH512-412	1 1/2	1 1/2	36	36	45	70.3	63	12.7	85	50



SJH5 * * - 5 * *

Unit : mm

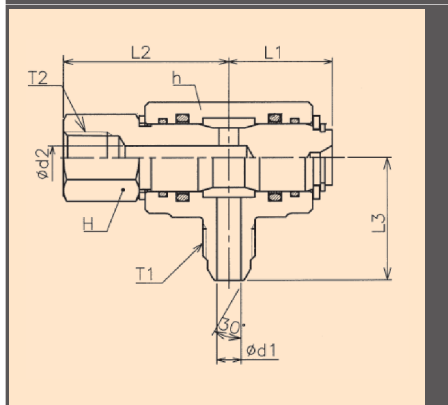
Model Nos.	T1 (Rc)	T2 (Rc)	d1	d2	L1	L2	L3	h	H
SJH502-502	1/4	1/4	6	6	26	41.5	30	27	19
SJH503-503	3/8	3/8	9	8.5	26	42.5	30	27	24
SJH504-504	1/2	1/2	12	12	28	49.5	36	32	30
SJH506-506	3/4	3/4	16	17	34	56.5	42	41	36
SJH508-508	1	1	22	22	36	67	46	46	41
SJH510-510	1 1/4	1 1/4	31	31	41	75	59	70	55
SJH512-512	1 1/2	1 1/2	36	36	45	78	63	85	65



SJH6 * * - 4 * *

Unit : mm

Model Nos.	T1 (G)	T2 (R)	d1	d2	L1	(約)	L3	a	h	H
						L2				
SJH602-402	1/4	1/4	6	6	26	38.5	31	6.01	27	19
SJH603-403	3/8	3/8	9	8.5	26	39.1	33	6.35	27	19
SJH604-404	1/2	1/2	12	12	28	44.3	38	8.16	32	24
SJH606-406	3/4	3/4	16	17	34	52	44	9.53	41	30
SJH608-408	1	1	22	22	36	58.6	54	10.39	46	36
SJH610-410	1 1/4	1 1/4	29	31	41	65.3	63	12.7	70	46
SJH612-412	1 1/2	1 1/2	35	36	45	70.3	70	12.7	85	50

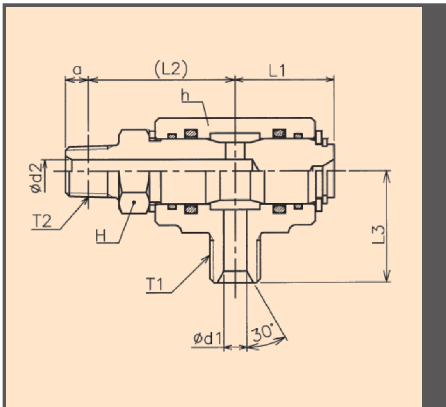


SJH6 * * - 5 * *

Unit : mm

Model Nos.	T1 (G)	T2 (Rc)	d1	d2	L1	L2	L3	h	H
SJH602-502	1/4	1/4	6	6	26	41.5	31	27	19
SJH603-503	3/8	3/8	9	8.5	26	42.5	33	27	24
SJH604-504	1/2	1/2	12	12	28	49.5	38	32	30
SJH606-506	3/4	3/4	16	17	34	56.5	44	41	36
SJH608-508	1	1	22	22	36	67	54	46	41
SJH610-510	1 1/4	1 1/4	29	31	41	75	63	70	55
SJH612-512	1 1/2	1 1/2	35	36	45	78	70	85	65

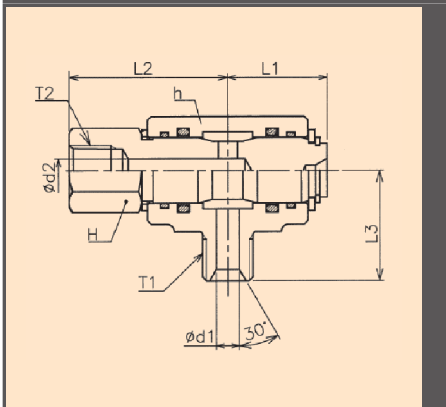
Type : SJH



SJH7 ** - 4 **

Unit : mm

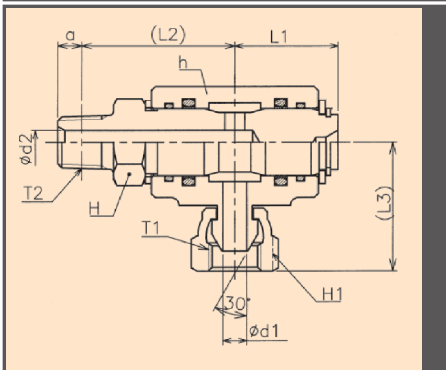
Model Nos.	T1 (G)	T2 (R)	d1	d2	L1	(約)		a	h	H
						L2	L3			
SJH702-402	1/4	1/4	6	6	26	38.5	29	6.01	27	19
SJH703-403	3/8	3/8	9	8.5	26	39.1	30	6.35	27	19
SJH704-404	1/2	1/2	12	12	28	44.3	37	8.16	32	24
SJH706-406	3/4	3/4	16	17	34	52	41	9.53	41	30
SJH708-408	1	1	22	22	36	58.6	49	10.39	46	36
SJH710-410	1 1/4	1 1/4	31	31	41	65.3	61	12.7	70	46
SJH712-412	1 1/2	1 1/2	36	36	45	70.3	68	12.7	85	50



SJH7 ** - 5 **

Unit : mm

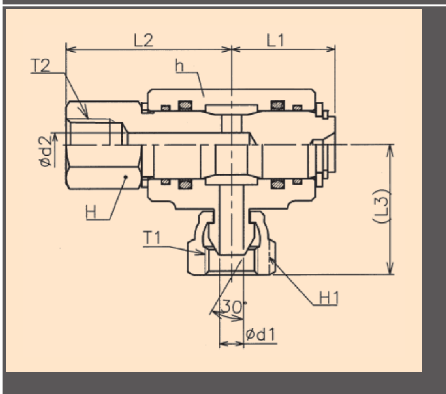
Model Nos.	T1 (G)	T2 (Rc)	d1	d2	L1	L2	L3	h	H
SJH702-502	1/4	1/4	6	6	26	41.5	29	27	19
SJH703-503	3/8	3/8	9	8.5	26	42.5	30	27	24
SJH704-504	1/2	1/2	12	12	28	49.5	37	32	30
SJH706-506	3/4	3/4	16	17	34	56.5	41	41	36
SJH708-508	1	1	22	22	36	67	49	46	41
SJH710-510	1 1/4	1 1/4	31	31	41	75	61	70	55
SJH712-512	1 1/2	1 1/2	36	36	45	78	68	85	65



SJH8 ** - 4 **

Unit : mm

Model Nos.	T1 (G)	T2 (R)	d1	d2	L1	(約)		a	h	H	H1
						L2	L3				
SJH802-402	1/4	1/4	4.5	6	26	38.5	32.5	6.01	27	19	19
SJH803-403	3/8	3/8	7	8.5	26	39.1	34.5	6.35	27	19	22
SJH804-404	1/2	1/2	10	12	28	44.3	41	8.16	32	24	27
SJH806-406	3/4	3/4	16	17	34	52	47	9.53	41	30	36
SJH808-408	1	1	21.5	22	36	58.6	53.5	10.39	46	36	41
SJH810-410	1 1/4	1 1/4	27.5	31	41	65.3	66	12.7	70	46	50



SJH8 ** - 5 **

Unit : mm

Model Nos.	T1 (G)	T2 Rc	d1	d2	L1	L2	(約)		h	H	H1
							L3				
SJH802-502	1/4	1/4	4.5	6	26	41.5	32.5	27	19	19	
SJH803-503	3/8	3/8	7	8.5	26	42.5	34.5	27	24	22	
SJH804-504	1/2	1/2	10	12	28	49.5	41	32	30	27	
SJH806-506	3/4	3/4	16	17	34	56.5	47	41	36	36	
SJH808-508	1	1	21.5	22	36	67	53.5	46	41	41	
SJH810-510	1 1/4	1 1/4	27.5	31	41	75	66	70	55	50	



บริษัท นานดีอินเตอร์เทรด จำกัด
NANDEE INTER-TRADE CO., LTD.

314, 316, 318, 320, 322 ซอยจันทน์ 32 ถนนจันทน์ แขวงทุ่งวัดดอน เขตสาทร กทม. 10120

 : 0-2675-8239

 : @nandeeintertrade

 : nandeeintertrade

 : www.nandee.co.th

 : marketing@nandee.co.th
sales@nandee.co.th