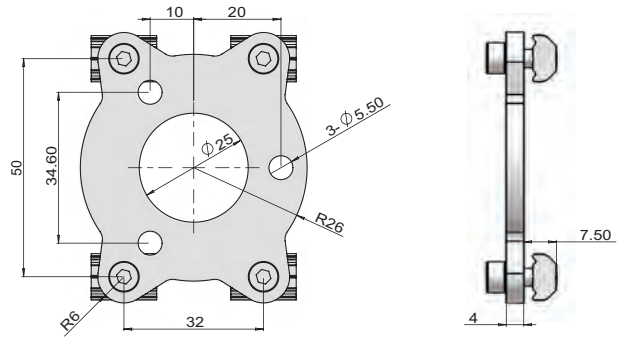
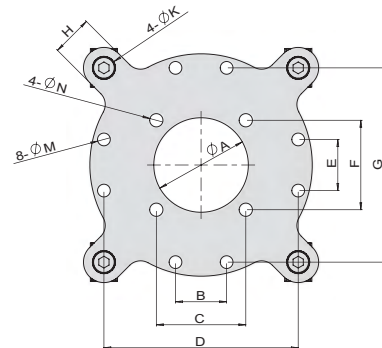


Interface

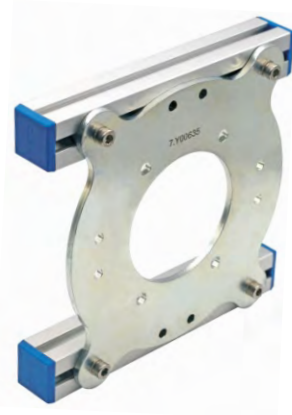
SIP-50BT 7.Y00650-T



PN	7.Y00650
Model	SIP-50B
QC-G...	QC-G50
T	4mm
Screws	PTC-M5L12*4
Single hole shim	PTS-M5*4
T-Nuts	PTN-M5*4
Weight	90g



PN	7.Y00634	7.Y00635
Model	SIP-90B	SIP-160B
A(mm)	Ø37	Ø70
B(mm)	20	20
C(mm)	35	74
D(mm)	76	130
E(mm)	20	20
F(mm)	35	52
G(mm)	76	110
H(mm)	16	24
M(mm)	Ø5	Ø5
N(mm)	Ø5.2	Ø6.2
K(mm)	Ø5.3	Ø5.3
T(mm)	3	4
QC-G...	QC-G90	QC-G160
Accessories selection		
Screws	PTC-M5L12*4	PTC-M5L12*4
Single hole shim	PTS-M5*4	PTS-M5*4
T-Nuts	PTN-M5*4	PTN-M5*4
Weight	190g	540g



Profile - SUS Tube

Stents Module

Quick Changer

Grip Module

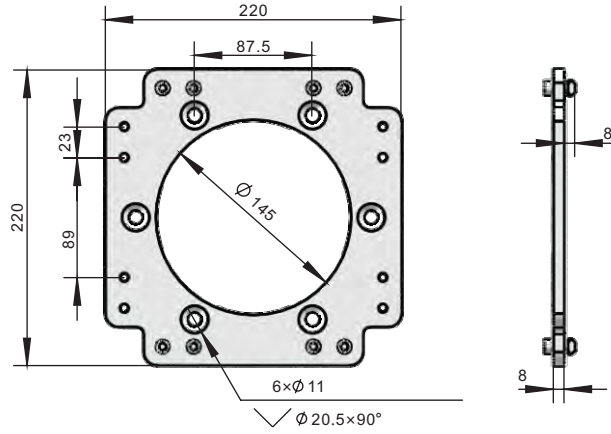
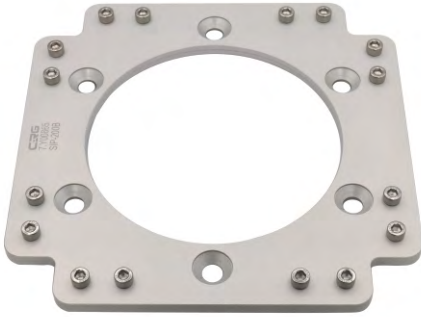
Air Nipper

Vacuum Module

Accessory Components

Interface

SIP-200BT 7.Y00865-T



PN	7.Y00865
Model	SIP-200B
QC-G...	QC-G200
T	8mm
Weight	578g



Profile - SUS Tube

Stents Module

Quick Changer

Grip Module

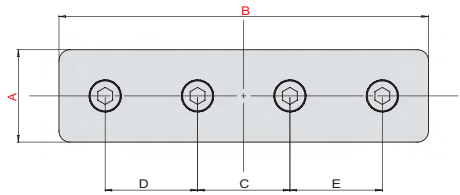
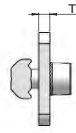
Air Nipper

Vacuum Module

Accessory Components

Straight Fixing Plate

SFP-S2550 **T** 7.Y00641-**T**

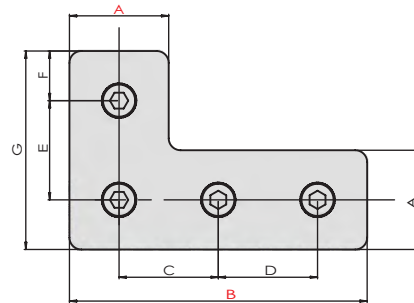


PN	7.Y00641	7.Y00642	7.Y00643
Model	SFP-S2550	SFP-S25100	SFP-S40160
A(mm)	25	25	40
B(mm)	50	100	160
C(mm)	25	25	40
D(mm)	-	25	40
E(mm)	-	25	40
T(mm)	3	3	3
PEP2510	√	√	-
PEP2518	√	√	-
PEP2525	√	√	-
PEP5025	√	√	-
PEP4040	-	-	√
Screws	PTC-M5L12*2	PTC-M5L12*4	PTC-M5L12*4
Single hole shim	PTS-M5*2	PTS-M5*4	PTS-M5*4
T-Nuts	PTN-M5*2	PTN-M5P25*2	PTN-M5P40*2
Weight	45g	95g	195g



L-shaped Fixing Plate (Kit With Screws Option)

SFP-L2550 **T** 7.Y00647-**T**



PN	7.Y00647	7.Y00648	7.Y00649
Model	SFP-L2550	SFP-L2575	SFP-L40120
A(mm)	25	25	40
B(mm)	50	75	120
C(mm)	25	25	40
D(mm)	-	25	40
E(mm)	25	25	40
F(mm)	12.5	12.5	20
G(mm)	50	50	80
T(mm)	3	3	3
PEP2510	√	√	-
PEP2518	√	√	-
PEP2525	√	√	-
PEP5025	√	√	-
PEP4040	-	-	√
Accessories selection			
Screws	PTC-M5L12*3	PTC-M5L12*4	PTC-M5L12*4
Single hole shim	PTS-M5*3	PTS-M5*4	PTS-M5*4
T-Nuts	PTN-M5*1	PTN-M5P25*2	PTN-M5P40*2
Weight	70g	95g	200g



Profile - SUS Tube

Stents Module

Quick Changer

Grip Module

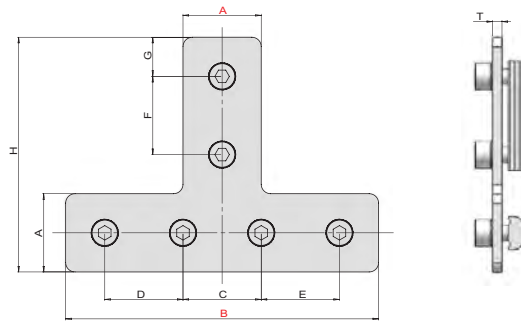
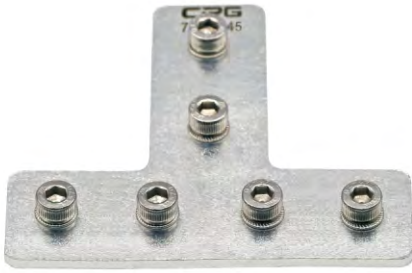
Air Nipper

Vacuum Module

Accessory Components

T-shaped Fixing Plate

SFP-T2550T 7.Y00644-T



PN	7.Y00644	7.Y00645	7.Y00646
Model	SFP-T2550	SFP-T25100	SFP-T40120
A(mm)	25	25	40
B(mm)	50	100	120
C(mm)	25	25	90
D(mm)	-	25	-
E(mm)	-	25	-
F(mm)	25	25	40
G(mm)	12.5	12.5	15
H(mm)	75	75	110
T(mm)	3	3	3
PEP2510	√	√	-
PEP2518	√	√	-
PEP2525	√	√	-
PEP5025	√	√	-
PEP4040	-	-	√

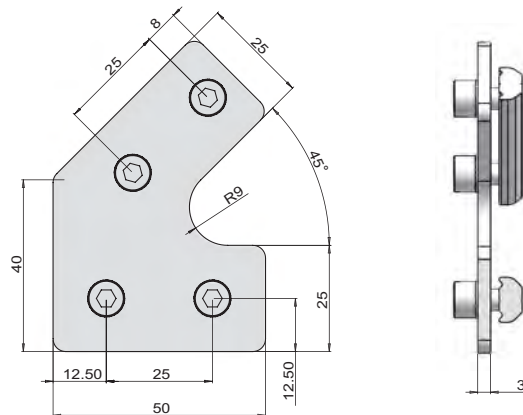
Accessoirier selection

Screws	PTC-M5L12*4	PTC-M5L12*6	PTC-M5L12*4
Single hole shim	PTS-M5*4	PTS-M5*6	PTS-M5*4
T-Nuts	PTN-M5P25*2	PTN-M5P25*3	PTN-M5P40*1 PTN-M5P90*1
Weight	95g	145g	250g



45° Fixing Plate

SFP-50T 7.Y00636-T



PN	7.Y00636
Model	SFP-50
QC-G...	QC-G50
T	3mm

Accessoirier selection

Screws	PTC-M5L12*4
Single hole shim	PTS-M5*4
T-Nuts	PTN-M5P25*2
Weight	100g



Profile · SUS Tube

Stents Module

Quick Changer

Grip Module

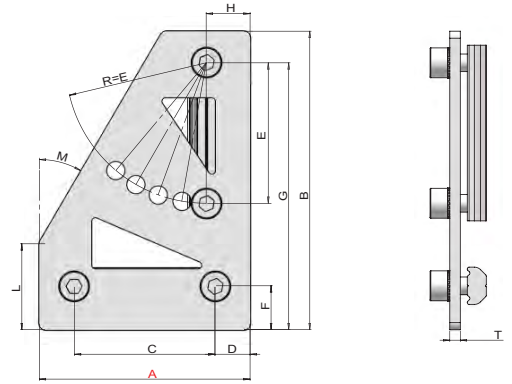
Air Nipper

Vacuum Module

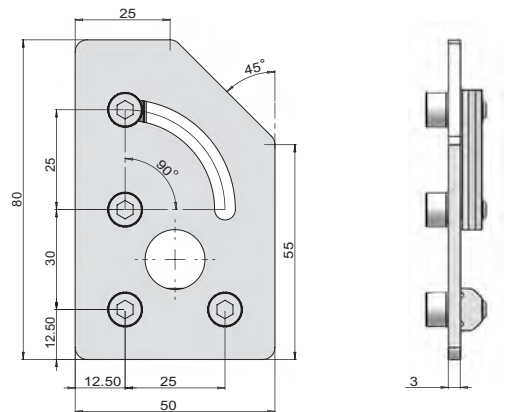
Accessory Components

Fixing Plate With Adjustable Angle

SFP-A60T 7.Y00637-T



PN	7.Y00637	7.Y00638	7.Y00639
Model	SFP-A60	SFP-A90	SFP-A70
A(mm)	60	90	70
B(mm)	85	95	100
C(mm)	40	60	50
D(mm)	10	15	10
E(mm)	40	50	40
F(mm)	12.5	12.5	20
G(mm)	76	86	90
H(mm)	12.5	12.5	20
L(mm)	25	25	40
M(mm)	30°	30°	27°
T(mm)	3	3	3
PEP2510	√	√	-
PEP2518	√	√	-
PEP2525	√	√	-
PEP5025	√	√	-
PEP4040	-	-	√
Screws	PTC-M5L12*4	PTC-M5L12*5	PTC-M5L12*4
Single hole shim	PTS-M5*4	PTS-M5*5	PTS-M5*4
T-Nuts	PTN-M5P40*2	PTN-M5P50*1	PTN-M5P40*1
Weight	130g	215g	175g

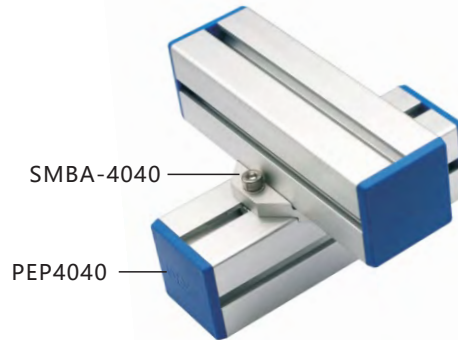
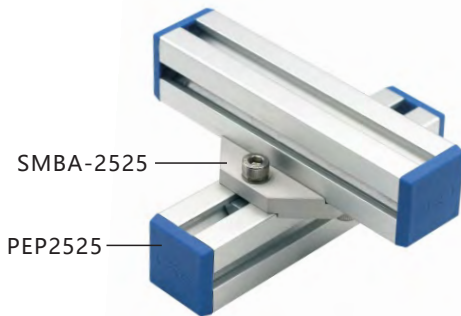
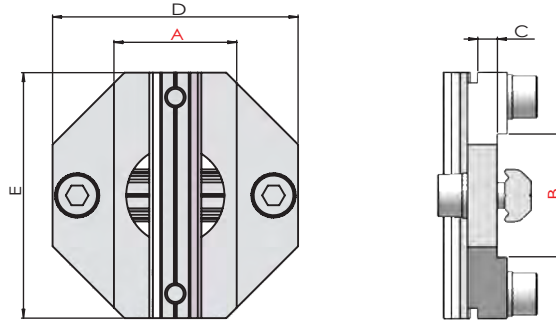


PN	7.Y00640
Model	SFP-A50
QC-G...	QC-G50
T	3mm
Accessoirier selection	
Screws	PTC-M5L12*4
Single hole shim	PTS-M5*4
T-Nuts	PTN-M5P25*2
Weight	115g



Cross Mounting Bracket For Profiles

SMBA-1818T 7.Y00290-T



PN	Model	A	B	C	D	E	PEP1818	PEP2510	PEP2518	PEP2525	PEP5025	PEP4040
7.Y00290	SMBA-1818	18	18	2	38	38	√					
7.Y00291	SMBA-1825	18	25	4	38	45	√		√	√	√	
7.Y00245	SMBA-2020	20	20	4	50	50						
7.Y00194	SMBA-2525	25	25	4	50	50		√	√	√	√	
7.Y00193	SMBA-3030	30	30	4	50	50						
7.Y00011	SMBA-5050	50	50	4	70	70					√	
7.Y00292	SMBA-2550	25	50	4	70	70		√	√	√	√	
7.Y00246	SMBA-4040	40	40	4	60	60						√
7.Y00355	SMBA-8080	80	80	4	100	100						
7.Y00293	SMBA-4080	40	80	4	60	100						√
7.Y00294	SMBA-2580	25	80	4	45	100			√	√	√	
7.Y00356	SMBA-2540	25	40	4	45	60		√	√	√	√	√
7.Y00690	SMBA-3025	30	25	4	50	50		√				

Model	Screws	Single hole shim	T-Nuts	Weight
SMBA-1818	PTC-M5L12*4	PTS-M5*4	PTN-M5P28*2	40g
SMBA-1825	PTC-M5L14*4	PTS-M5*4	PTN-M5P28*1,PTN-M5P35*1	60g
SMBA-2020	PTC-M5L14*4	PTS-M5*4		30g
SMBA-2525	PTC-M5L14*4	PTS-M5*4	PTN-M5P40*2	75g
SMBA-3030	PTC-M5L14*4	PTS-M5*4		24g
SMBA-5050	PTC-M5L14*8	PTS-M5*8	PTN-M5P60*4	170g
SMBA-2550	PTC-M5L14*6	PTS-M5*6	PTN-M5P60*3	155g
SMBA-4040	PTC-M5L16*4	PTS-M5*4	PTN-M5P50*2	85g
SMBA-8080	PTC-M5L16*8	PTS-M5*8	PTN-M5P90*4	255g
SMBA-4080	PTC-M5L16*6	PTS-M5*6	PTN-M5P50*2,PTN-M5P90*1	175g
SMBA-2580	PTC-M5L14*2 16*4	PTS-M5*6	PTN-M5P35*2,PTN-M5P90*1	140g
SMBA-2540	PTC-M5L14*2 16*4	PTS-M5*6	PTN-M5P35*1,PTN-M5P50*1	75g
SMBA-3025	PTC-M5L14*4	PTS-M5*4	PTN-M5P40*1,PTN-M5*2	25g

Profile - SUS Tube

Stents Module

Quick Changer

Grip Module

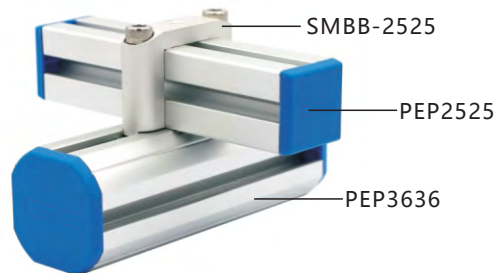
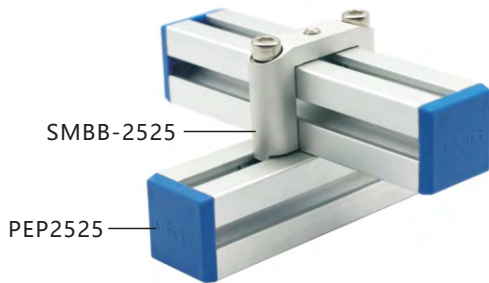
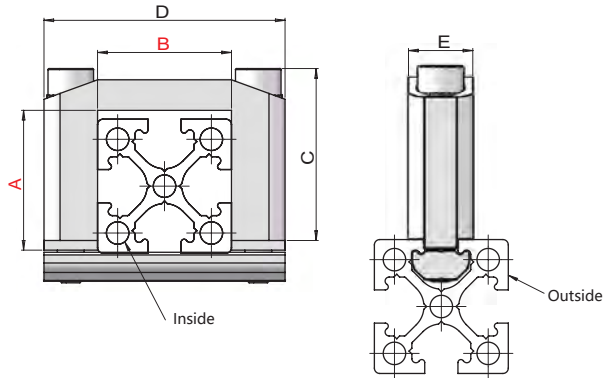
Air Nipper

Vacuum Module

Accessory Components

Cross (Square) Joint Connector

SMBB-1818T 7.Y00295-T



PN	7.Y00295	7.Y00817	7.Y00012	7.Y00339	7.Y00340	7.Y00163
Model	SMBB-1818	SMBB-1825	SMBB-2525	SMBB-5025	SMBB-2550	SMBB-3030
A(mm)	18	18	25	50	25	30
B(mm)	18	25	25	25	50	30
C(mm)	29	29	32	57	32	32
D(mm)	38	45	45	45	70	50
E(mm)	12	12	12	12	12	12
Inside	PEP1818	PEP1818	-	-	-	-
	-	-	PEP2525	PEP5025	PEP5025	-
Outside	PEP2510	PEP2510	PEP2510	PEP2510	PEP2510	-
	PEP2518	PEP2518	PEP2518	-	-	-
	PEP2525	PEP2525	PEP2525	PEP2525	PEP2525	-
	PEP5025	PEP5025	PEP5025	PEP5025	PEP5025	-
	PEP4040	PEP4040	PEP4040	PEP4040	PEP4040	-
Screws	PTC-M5L30*2	PTC-M5L30*2	PTC-M5L35*2	PTC-M5L60*2	PTC-M5L35*2	-
Single hole shim	PTS-M5*2	PTS-M5*2	PTS-M5*2	PTS-M5*2	PTS-M5*2	-
T-Nuts	PTN-M5P28*1	PTN-M5P35*1	PTN-M5P35*1	PTN-M5P35*1	PTN-M5P60*1	-
Weight	41g	42g	45g	65g	50g	19g

Profile - SUS Tube

Stents Module

Quick Changer

Grip Module

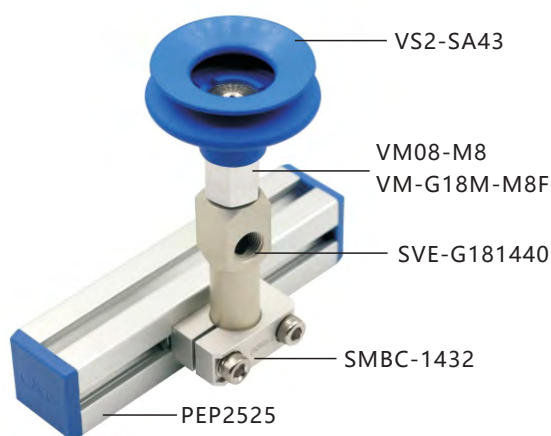
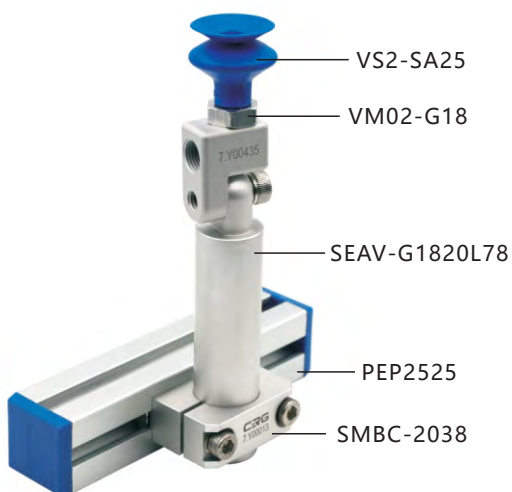
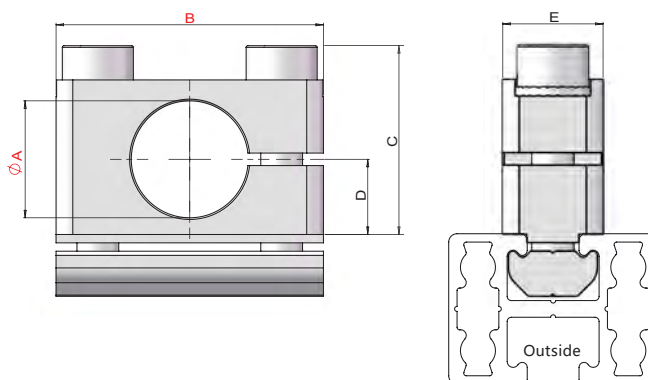
Air Nipper

Vacuum Module

Accessory Components

Cross (Square) Joint Connector

SMBC-1025 **T** 7.Y00296-**T**



PN	7.Y00296	7.Y00297	7.Y00013	7.Y00226	7.Y00225
Model	SMBC-1025	SMBC-1432	SMBC-2038	SMBC-3050	SMBC-5070
A(mm)	Ø10	Ø14	Ø20	Ø30	Ø50
B(mm)	25	32	38	50	70
C(mm)	18.5	23	28	34	56
D(mm)	7	9	12.5	17	28
E(mm)	10	12	15	20	25
Outside	PEP1818	PEP1818	PEP1818	PEP1818	PEP1818
	PEP2510	PEP2510	PEP2510	PEP2510	PEP2510
	PEP2518	PEP2518	-	-	-
	PEP2525	PEP2525	PEP2525	PEP2525	PEP2525
	PEP5025	PEP5025	PEP5025	PEP5025	PEP5025
	PEP4040	PEP4040	PEP4040	PEP4040	PEP4040
Accessories selection					
Screws	PTC-M5L25*2	PTC-M5L25*2	PTC-M5L30*2	PTC-M5L35*2	PTC-M5L50*2
Single hole shim	PTS-M5*2	PTS-M5*2	PTS-M5*2	PTS-M5*2	PTS-M5*2
T-Nuts	PTN-M5P17*1	PTN-M5P22*1	PTN-M5P28*1	PTN-M5P40*1	PTN-M5P60*1
Weight	15g	32g	45g	75g	150g

Profile - SUS Tube
Stents Module
Quick Changer
Grip Module
Air Nipper
Vacuum Module
Accessory Components

Vertical Fastening Of The Profiles

SMBD-2550 **T** 7.Y00227-**T**

Profile · SUS Tube

Stents Module

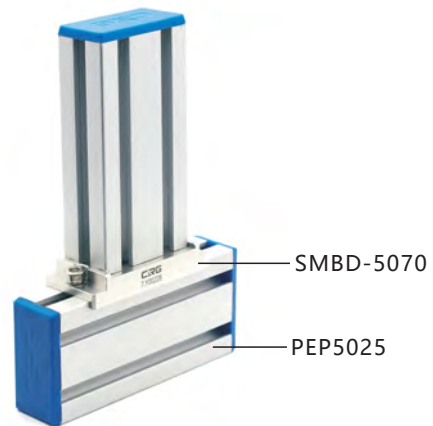
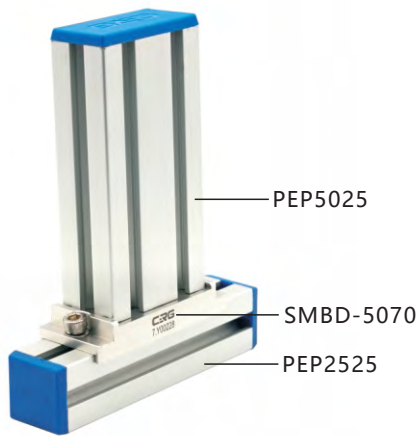
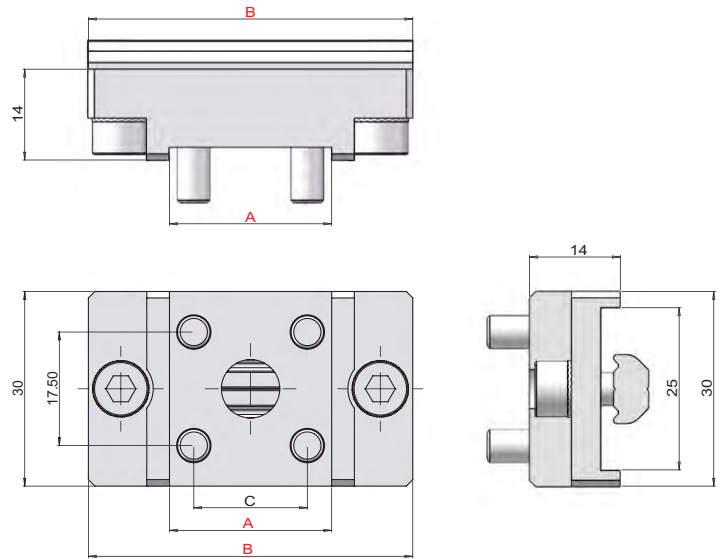
Quick Changer

Grip Module

Air Nipper

Vacuum Module

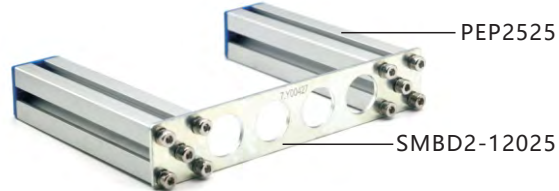
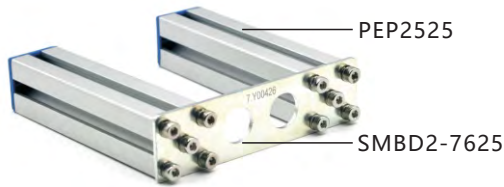
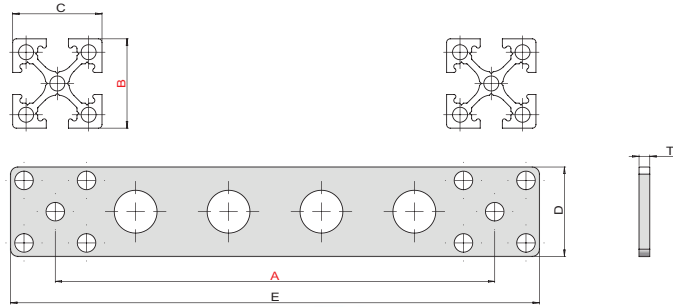
Accessory Components



PN	7.Y00227	7.Y00228
Model	SMBD-2550	SMBD-5070
A(mm)	25	50
B(mm)	50	70
C(mm)	17.5	42.5
PEP2525	√	√
PEP5025	√	√
Screws	PTC-M5L12*6	PTC-M5L12*4
Single hole shim	PTS-M5*2	PTS-M5*2
T-Nuts	PTN-M5P40*1	PTN-M5P60*1
Weight	65g	85g

Flat Straight Connector

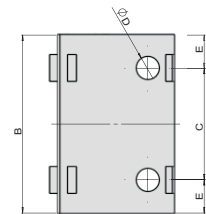
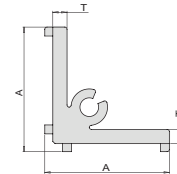
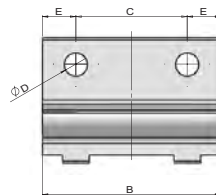
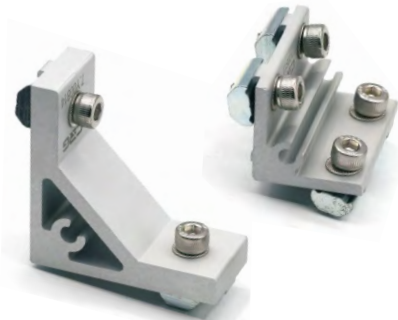
SMBD2-7625T 7.Y00426-T



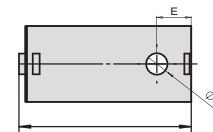
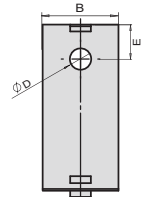
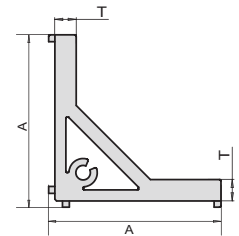
PN	7.Y00426	7.Y00427	7.Y00428	7.Y00429	7.Y00430	7.Y00431
Model	SMBD2-7625	SMBD2-12025	SMBD2-13025	SMBD2-7650	SMBD2-12050	SMBD2-13050
A(mm)	76	120	130	76	120	130
B(mm)	25	25	25	50	50	50
C(mm)	25	25	25	25	25	25
D(mm)	28	28	28	53	53	53
E(mm)	104	148	158	104	148	158
T(mm)	2	2	2	2	2	2
PEP2525	√	√	√	-	-	-
PEP5025	-	-	-	√	√	√
Weight	50g	60g	65g	75g	100g	110g

Angle Bracket For Profiles

SMBD3-2525T 7.Y00812-T



PN	7.Y00812	7.Y00813	7.Y00814	7.Y00815
Model	SMBD3-2525	SMBD3-2550	SMBD3-4040	SMBD3-4080
A(mm)	28	28	50	50
B(mm)	18	40	22	70
C(mm)	-	25	-	40
D(mm)	Ø5.2	Ø5.2	Ø6.2	Ø6.2
E(mm)	9	7.5	11	15
T(mm)	3.2	3.2	6.2	6.2



	PEP1818			
	PEP2510	PEP2550	PEP4040	PEP4080
	PEP2518		PEP4080	
	PEP2525			
Screws	PTC-M5L12*2	PTC-M5L12*4	PTC-M6L14*2	PTC-M5L14*4
Single hole shim	PTS-M5*2	PTS-M5*4	PTS-M6*2	PTS-M5*4
T-Nuts	PTN-M5*2	PTN-M5*4	PTN-M6*2	PTN-M5*4
Weight	10g	22g	38g	126g

Profile - SUS Tube

Stents Module

Quick Changer

Grip Module

Air Nipper

Vacuum Module

Accessory Components

Flat Straight Connector

SMBE-1010T 7.Y00300-T

Profile · SUS Tube

Stents Module

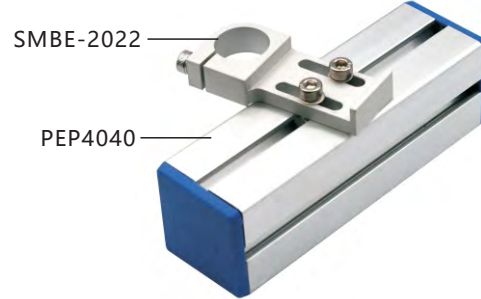
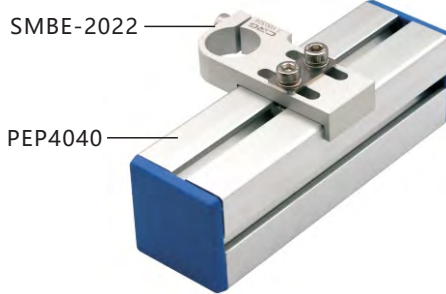
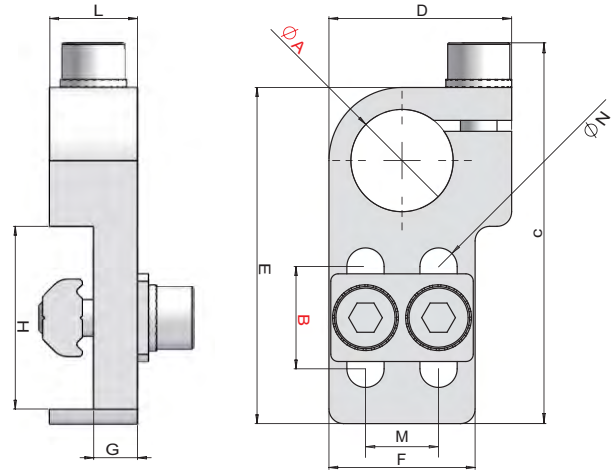
Quick Changer

Grip Module

Air Nipper

Vacuum Module

Accessory Components

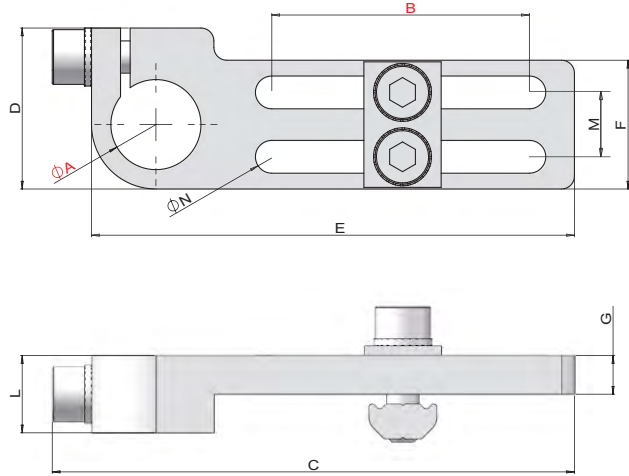


PN	7.Y00300	7.Y00301	7.Y00775	7.Y00864	7.Y00302	7.Y00014	7.Y00304
Model	SMBE-1010	SMBE-1014	SMBE-1210	SMBE-1214	SMBE-1414	SMBE-2014	SMBE-2022
A(mm)	Ø10	Ø10	Ø12	Ø12	Ø14	Ø20	Ø20
B(mm)	10	14	10	14	14	14	22
C(mm)	43	49	43	50	52.1	57.1	74.1
D(mm)	20	20	20.5	20.5	25	30	30
E(mm)	38	44	38	45	46	51.5	68
F(mm)	16	16	16	16	20	25	25
G(mm)	4.5	4.5	4.5	4.5	6	6.2	6
H(mm)	18	25	18	25	25	25	40
L(mm)	8	8	8	8	12	12	12
M(mm)	8	8	8	8	10	15	15
N(mm)	Ø4.2	Ø4.2	Ø4.2	Ø4.2	Ø5.2	Ø5.2	Ø5.2
PEP1818	√	-	√	-	-	-	-
PEP2510	-	√	-	√	√	√	-
PEP2518	-	√	-	-	√	√	-
PEP2525	-	√	-	-	√	√	-
PEP5025	-	√	-	-	√	√	-
PEP4040	-	-	-	-	-	-	√

Screws	PTC-M4L14*2	PTC-M4L14*2	PTC-M4L14*2	PTC-M4L14*2	PTC-M5L16*2	PTC-M5L16*2	PTC-M5L16*2
Single hole shim	PTS-M4*2	PTS-M4*2	PTS-M4*2	PTS-M4*2	PTS-M5*2	PTS-M5*2	PTS-M5*2
T-Nuts	PTN-M4P8*1	PTN-M4P8*1	PTN-M4P8*1	PTN-M4P8*1	PTN-M5P10*1	PTN-M5P15*1	PTN-M5P15*1
Double holes shim	PTD-M4P8*1	PTD-M4P8*1	PTD-M4P8*1	PTD-M4P8*1	PTD-M5P10*1	PTD-M5P15*1	PTD-M5P15*1
Weight	20g	21g	22g	10g	34g	45g	48g

Mounting Bracket

SMBE1-0840T 7.Y00694-T



PN	7.Y00694	7.Y00201	7.Y00695	7.Y00200	7.Y00199	7.Y00015	7.Y00724
Model	SMBE1-0840	SMBE1-1040	SMBE1-1240	SMBE1-1440	SMBE1-1450	SMBE1-2060	SMBE1-3060
A(mm)	Ø8	Ø10	Ø12	Ø14	Ø14	Ø20	Ø30
B(mm)	40	40	40	40	50	60	60
C(mm)	75	75	75	81.1	91.1	111.1	121.1
D(mm)	20	20	20	25	25	30	40
E(mm)	70	70	70	75	85	105	115
F(mm)	16	16	16	20	20	25	35
G(mm)	4.5	4.5	4.5	6	6	6	8
L(mm)	8	8	8	12	12	12	12
M(mm)	8	8	8	10	10	15	22
N(mm)	Ø4.2	Ø4.2	Ø4.2	Ø5.2	Ø5.2	Ø5.2	Ø5.2
PEP1818	√	√	√	√	√	√	√
PEP2510	√	√	√	√	√	√	√
PEP2518	√	√	√	√	√	√	√
PEP2525	√	√	√	√	√	√	√
PEP5025	√	√	√	√	√	√	√
PEP4040	-	-	-	√	√	√	√

Screws	PTC-M4L14*2	PTC-M4L14*2	PTC-M4L14*2	PTC-M5L16*2	PTC-M5L16*2	PTC-M5L16*2	PTC-M5L16*2
Single hole shim	PTS-M4*2	PTS-M4*2	PTS-M4*2	PTS-M5*2	PTS-M5*2	PTS-M5*2	PTS-M5*2
T-Nuts	PTN-M4P8*1	PTN-M4P8*1	PTN-M4P8*1	PTN-M5P10*1	PTN-M5P10*1	PTN-M5P15*1	PTN-M5P22*1
Double holes shim	PTD-M4P8*1	PTD-M4P8*1	PTD-M4P8*1	PTD-M5P10*1	PTD-M5P10*1	PTD-M5P15*1	PTD-M5P22*1
Weight	13g	23g	12g	38g	40g	55g	95g

Profile - SUS Tube

Stents Module

Quick Changer

Grip Module

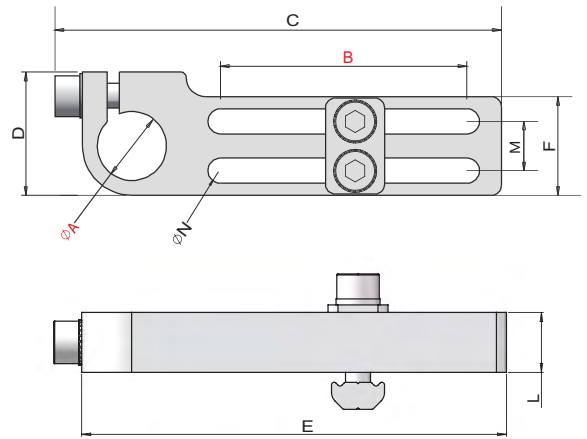
Air Nipper

Vacuum Module

Accessory Components

Heavy Duty Mounting Bracket

SMBE2-1040T 7.Y00725-T



PN	7.Y00725	7.Y00777	7.Y00307	7.Y00308	7.Y00309
Model	SMBE2-1040	SMBE2-1240	SMBE2-1450	SMBE2-2060	SMBE2-3060
A(mm)	Ø10	Ø12	Ø14	Ø20	Ø30
B(mm)	40	40	50	60	60
C(mm)	75	75	90.6	110.6	122.2
D(mm)	20	20.5	25	30	42
E(mm)	70	70	85	105	115
F(mm)	16	16	20	25	35
L(mm)	8.3	8.3	12	15	20
M(mm)	8	8	10	15	22
N(mm)	Ø4.2	Ø4.2	Ø5.2	Ø5.2	Ø5.2
Screws	PTC-M4L18*2	PTC-M4L18*2	PTC-M5L22*2	PTC-M5L25*2	PTC-M5L30*2
Single hole shim	PTS-M4*2	PTS-M4*2	PTS-M5*2	PTS-M5*2	PTS-M5*2
T-Nuts	PTN-M4P8*1	PTN-M4P8*1	PTN-M5P10*1	PTN-M5P15*1	PTN-M5P22*1
Double holes shim	PTD-M4P8*1	PTD-M4P8*1	PTD-M5P10*1	PTD-M5P15*1	PTD-M5P22*1
Weight	30g	40g	60g	85g	175g

Profile · SUS Tube

Stents Module

Quick Changer

Grip Module

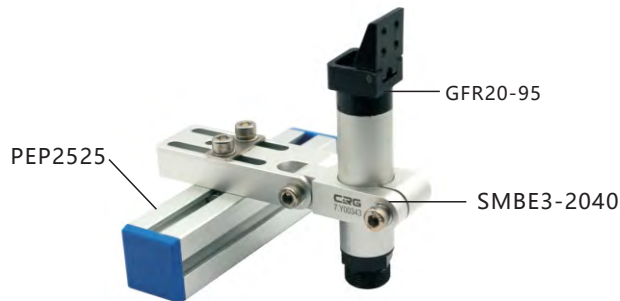
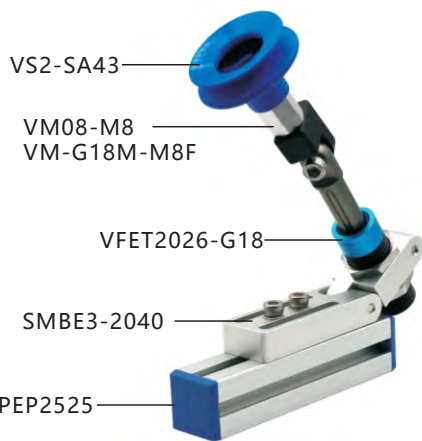
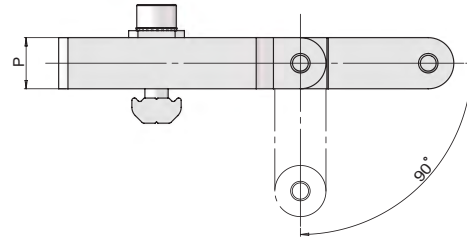
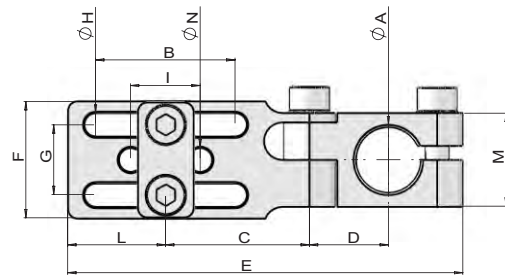
Air Nipper

Vacuum Module

Accessory Components

Slotted Angular Bracket

SMBE3-1020T 7.Y00341-T



PN	7.Y00341	7.Y00795	7.Y00342	7.Y00343	7.Y00344
Model	SMBE3-1020	SMBE3-1220	SMBE3-1430	SMBE3-2040	SMBE3-3050
A(mm)	Ø10	Ø12	Ø14	Ø20	Ø30
B(mm)	20	20	30	40	50
C(mm)	23	23	31	39	49
D(mm)	14	14	17	22	28
E(mm)	64.5	64.5	85	107	135.5
F(mm)	16	16	25	25	36
G(mm)	8	8	15	15	22
H(mm)	4.2	4.2	5.2	5.2	5.2
I(mm)	-	-	15	15	22
L(mm)	15	15	21	26	32
M(mm)	16	16	20	25	36
N(mm)	-	-	Ø5.1	Ø5.1	Ø5.1
P(mm)	9	9	11	13	16
Screws	PTC-M4L18*2	PTC-M4L18*2	PTC-M5L20*2	PTC-M5L22*2	PTC-M5L25*2
Single hole shim	PTS-M4*2	PTS-M4*2	PTS-M5*2	PTS-M5*2	PTS-M5*2
T-Nuts	PTN-M4P8*1	PTN-M4P8*1	PTN-M5P15*1	PTN-M5P15*1	PTN-M5P22*1
Double holes shim	PTD-M4P8*1	PTD-M4P8*1	PTD-M5P15*1	PTD-M5P15*1	PTD-M5P22*1
Weight	30g	35g	50g	90g	185g

Profile - SUS Tube

Stents Module

Quick Changer

Grip Module

Air Nipper

Vacuum Module

Accessory Components

Mounting Bracket

SMBE4-1412T 7.Y00224-T

Profile - SUS Tube

Stents Module

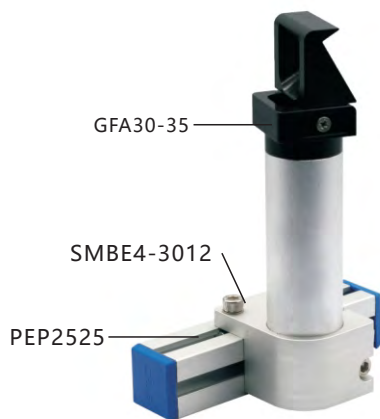
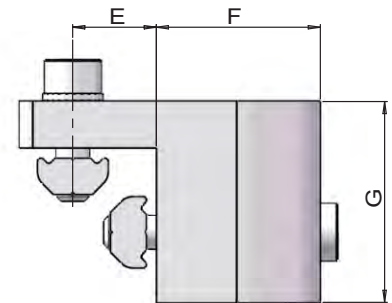
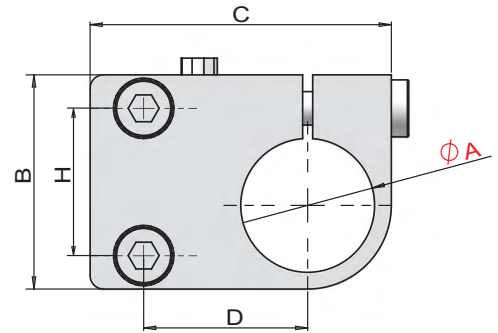
Quick Changer

Grip Module

Air Nipper

Vacuum Module

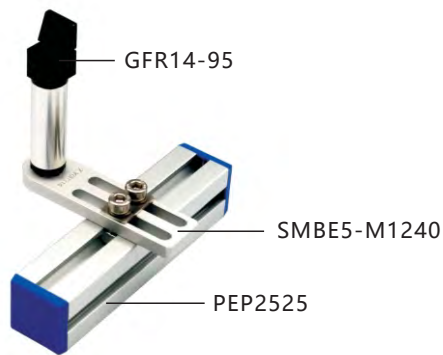
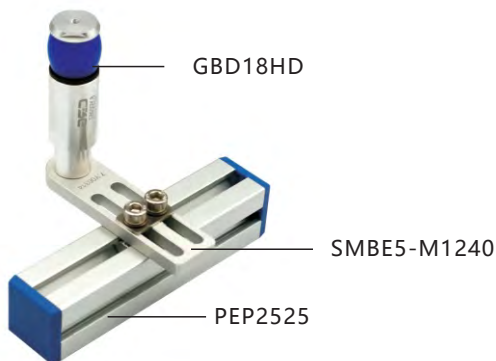
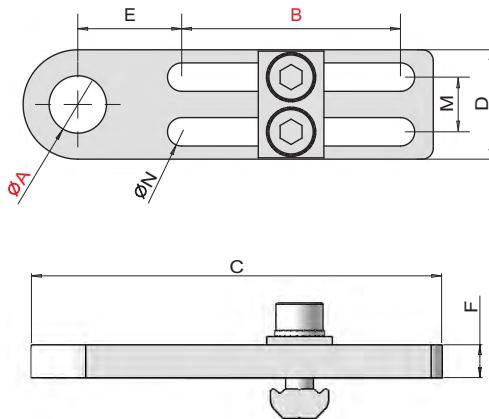
Accessory Components



PN	7.Y00224	7.Y00223	7.Y00181	7.Y00222	7.Y00221
Model	SMBE4-1412	SMBE4-2012	SMBE4-2020	SMBE4-3012	SMBE4-3020
A(mm)	Ø14	Ø20	Ø20	Ø30	Ø30
B(mm)	25	32	35	40	45
C(mm)	40	45	54.5	55	65.5
D(mm)	22	24.5	33	29.5	39
E(mm)	12.5	12.5	20	12.5	20
F(mm)	19.5	24.5	26.5	34.5	37.5
G(mm)	25	30	35	30	40
H(mm)	15	22	25	30	35
PEP1818	√	√	-	√	-
PEP2510	√	√	-	√	-
PEP2518	√	√	-	√	-
PEP2525	√	√	-	√	-
PEP5025	√	√	-	√	-
PEP4040	-	-	√	-	√
Screws	PTC-M5L14*2	PTC-M5L16*2	PTC-M5L16*2	PTC-M5L16*2	PTC-M5L16*2
Single hole shim	PTS-M5*2	PTS-M5*2	PTS-M5*2	PTS-M5*2	PTS-M5*2
T-Nuts	PTN-M5P15*1	PTN-M5P22*1	PTN-M5P25*1	PTN-M5P30*1	PTN-M5P30*1
Weight	50g	70g	95g	90g	150g

Mounting Bracket

SMBE5-G1840T 7.Y00310-T



PN	Model	A(mm)	B(mm)	C(mm)	D(mm)	E(mm)	F(mm)	M(mm)	N(mm)	Weight
7.Y00310	SMBE5-G1840	G1/8	40	75	20	19	6	10	Ø5.2	25g
7.Y00311	SMBE5-G1860	G1/8	60	105	25	26.5	6	15	Ø5.2	42g
7.Y00312	SMBE5-M1040	M10×1	40	75	20	19	6	10	Ø5.2	30g
7.Y00313	SMBE5-M1060	M10×1	60	105	25	26.5	6	15	Ø5.2	40g
7.Y00314	SMBE5-M1240	M12×1	40	75	20	19	6	10	Ø5.2	30g
7.Y00315	SMBE5-M1260	M12×1	60	105	25	26.5	6	15	Ø5.2	47g
7.Y00316	SMBE5-M1440	M14×1	40	75	20	19	6	10	Ø5.2	20g
7.Y00317	SMBE5-M1460	M14×1	60	105	25	26.5	6	15	Ø5.2	40g
7.Y00320	SMBE5-M1640	M16×1	40	75	20	19	6	10	Ø5.2	20g
7.Y00321	SMBE5-M1660	M16×1	60	105	25	26.5	6	15	Ø5.2	40g
7.Y00322	SMBE5-M2040	M20×1	40	75	25	16.5	6	15	Ø5.2	30g
7.Y00323	SMBE5-M2060	M20×1	60	105	25	26.5	6	15	Ø5.2	35g

Screws	PTC-M5L14*2	SMBE5-G1840 , SMBE5-M1040, SMBE5-M1240 , SMBE5-M1440, SMBE5-M1640
Single hole shim)	PTS-M5*2	
T-Nuts	PTN-M5P10*1	
Double holes shim	PTD-M5P10*1	

Screws	PTC-M5L14*2	SMBE5-G1860, SMBE5-M1060, SMBE5-M1260, SMBE5-M1460, SMBE5-M1660, SMBE5-M2040 , SMBE5-M2060
Single hole shim)	PTS-M5*2	
T-Nuts	PTN-M5P15*1	
Double holes shim	PTD-M5P15*1	

Profile - SUS Tube

Stents Module

Quick Changer

Grip Module

Air Nipper

Vacuum Module

Accessory Components

Mounting Bracket

SMBE6-1040T 7.Y00357-T

Profile - SUS Tube

Stents Module

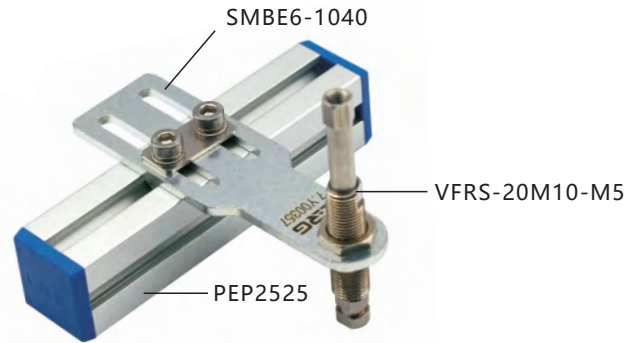
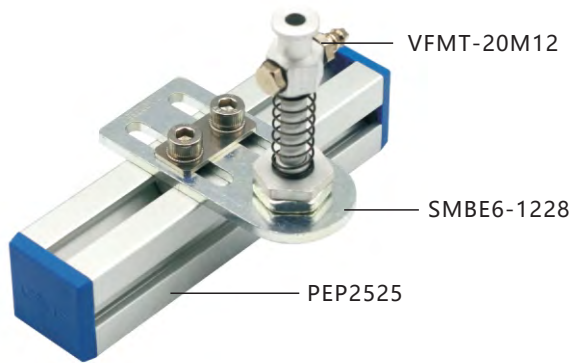
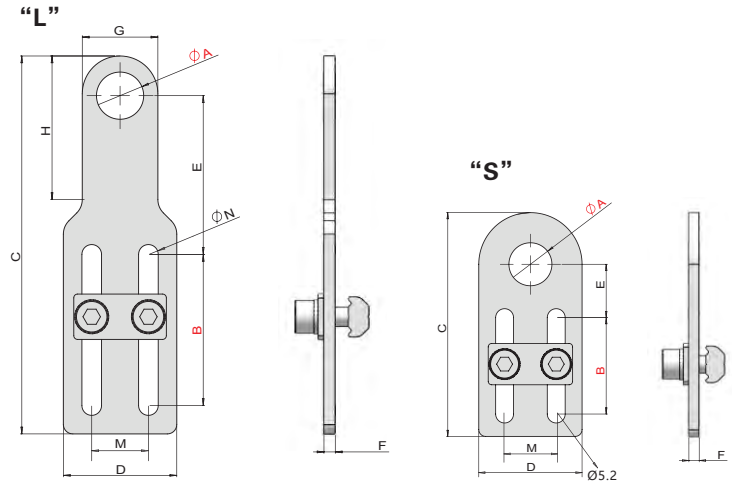
Quick Changer

Grip Module

Air Nipper

Vacuum Module

Accessory Components



PN	Model	A(mm)	B(mm)	C(mm)	D(mm)	E(mm)	F(mm)	G(mm)	H(mm)	M(mm)	N(mm)	Weight
7.Y00357	SMBE6-1040	Ø10.5	40	100	30	42.5	3	20	38	15	Ø5.2	60g
7.Y00358	SMBE6-1240	Ø12.5	40	100	30	42.5	3	20	38	15	Ø5.2	60g
7.Y00359	SMBE6-1440	Ø14.5	40	100	30	42.5	3	24	38	15	Ø5.2	60g
7.Y00360	SMBE6-1640	Ø16.5	40	100	30	42.5	3	30	-	15	Ø5.2	65g
7.Y00361	SMBE6-2040	Ø20.5	40	100	30	42.5	3	30	-	15	Ø5.2	60g
7.Y00362	SMBE6-2240	Ø22.5	40	100	30	42.5	5	35	26	15	Ø5.2	105g
7.Y00363	SMBE6-2540	Ø25.5	40	100	30	42.5	5	35	26	15	Ø5.2	100g
7.Y00364	SMBE6-1028	Ø10.5	28	65	30	15.5	3	-	-	15	Ø5.2	45g
7.Y00365	SMBE6-1228	Ø12.5	28	65	30	15.5	3	-	-	15	Ø5.2	45g
7.Y00366	SMBE6-1428	Ø14.5	28	65	30	15.5	3	-	-	15	Ø5.2	45g
7.Y00367	SMBE6-1628	Ø16.5	28	65	30	15.5	3	-	-	15	Ø5.2	45g
7.Y00368	SMBE6-2028	Ø20.5	28	65	30	15.5	3	-	-	15	Ø5.2	40g
7.Y00369	SMBE6-2228	Ø22.5	28	70	30	17	5	35	26	15	Ø5.2	75g
7.Y00370	SMBE6-2528	Ø25.5	28	70	30	17	5	35	26	15	Ø5.2	70g

Accessoirier selection

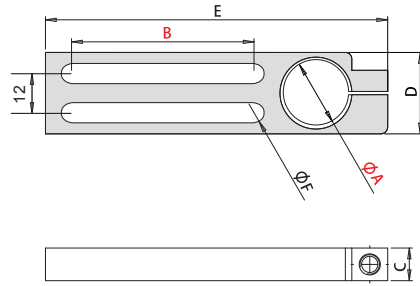
Accessoirier selection 1

Screws	PTC-M5L10*2	SMBE6-1040, SMBE6-1240, SMBE6-1440
Single hole shim)	PTS-M5*2	SMBE6-1640, SMBE6-2040, SMBE6-1028
T-Nuts	PTN-M5P15*1	SMBE6-1228, SMBE6-1428, SMBE6-1628
Double holes shim	PTD-M5P15*1	SMBE6-2028

Accessoirier selection 2

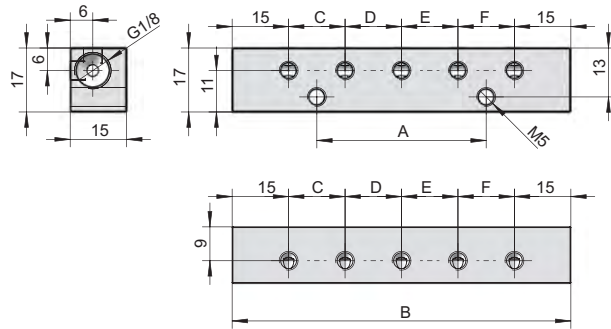
Screws	PTC-M5L12*2	SMBE6-2240, SMBE6-2540
Single hole shim)	PTS-M5*2	
T-Nuts	PTN-M5P15*1	SMBE6-2228, SMBE6-2528
Double holes shim	PTD-M5P15*1	

Cylinder Bracket

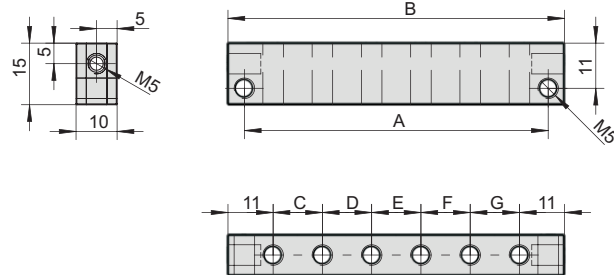


PN	Model	A	B	C	D	E	F	Weight
7.Y00062	SMBE7-0856	Ø8	56	10	25	90	6.5	40g
7.Y00021	SMBE7-1256	Ø12	56	10	25	95	6.5	43g
7.Y00006	SMBE7-2056	Ø20	56	10	25	105	6.5	47g

Side Manifold Block

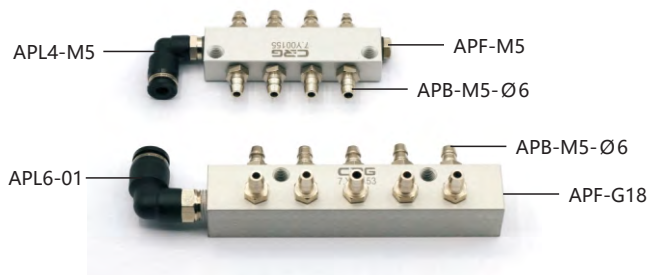


PN	Model	A	B	C	D	E	F	Weight
7.Y00153	SMB-10M5-02G18	45	90	15	15	15	15	51g
7.Y00154	SMB-08M5-02G18	30	75	15	15	15	-	42g



PN	Model	A	B	C	D	E	F	G	Weight
7.Y00157	SMB-06M5	26	34	12	-	-	-	-	10g
7.Y00156	SMB-08M5	38	46	12	12	-	-	-	14g
7.Y00155	SMB-10M5	50	58	12	12	12	-	-	18g
7.Y00167	SMB-14M5	74	82	12	12	12	12	12	26g

Application example



Profile · SUS Tube

Stents Module

Quick Changer

Grip Module

Air Nipper

Vacuum Module

Accessory Components

Side Manifold Block

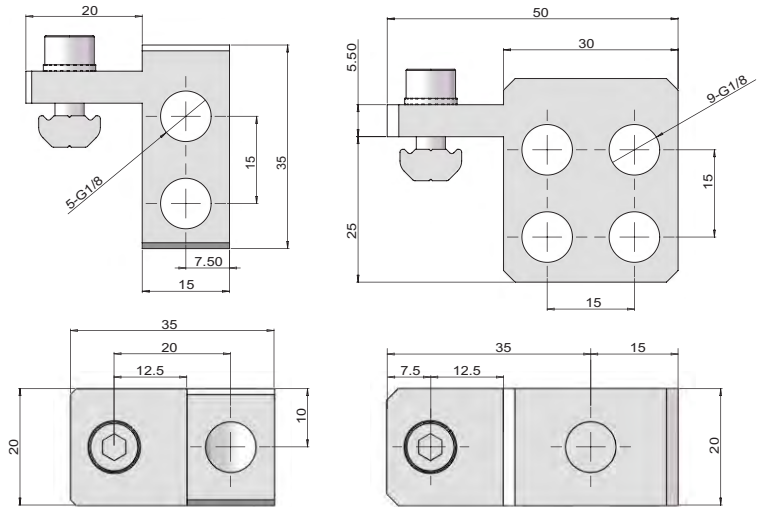
SMB-5G18T 7.Y00229-T



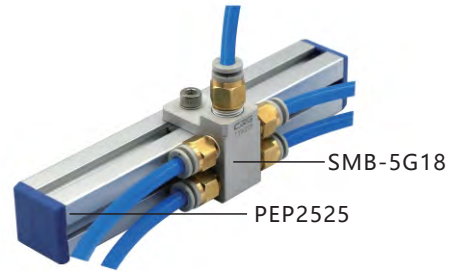
G1/8(x5)



G1/8(x9)



PN	7.Y00229	7.Y00231
Model	SMB-5G18	SMB-9G18
PEP1818	✓	✓
PEP2510	✓	✓
PEP2518	✓	✓
PEP2525	✓	✓
PEP5025	✓	✓
Screws	PTC-M5L14*1	PTC-M5L14*1
Single hole shim	PTS-M5*1	PTS-M5*1
T-Nuts	PTN-M5*1	PTN-M5*1
Weight	30g	50g

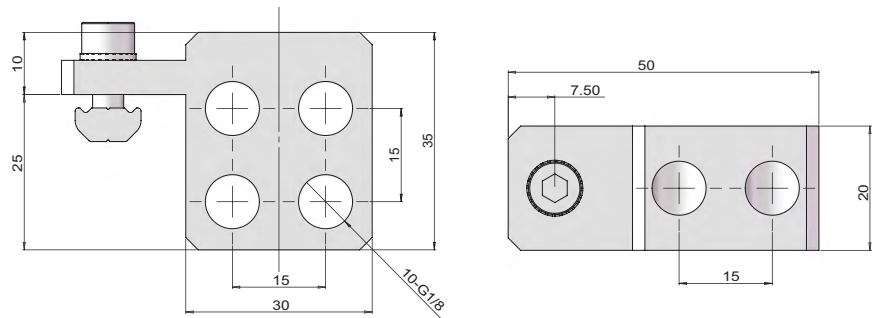


Side Manifold Block

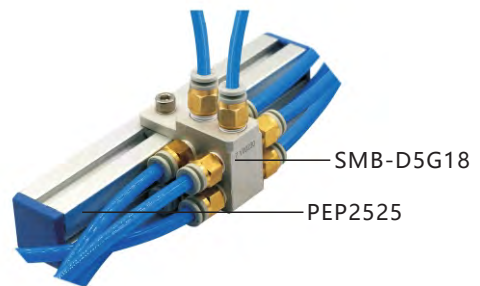
SMB-D5G18T 7.Y00230-T



G1/8(5+5)



PN	7.Y00230
Model	SMB-D5G18
PEP1818	✓
PEP2510	✓
PEP2518	✓
PEP2525	✓
PEP5025	✓
Screws	PTC-M5L14*1
Single hole shim	PTS-M5*1
T-Nuts	PTN-M5*1
Weight	48g



Profile · SUS Tube

Stents Module

Quick Changer

Grip Module

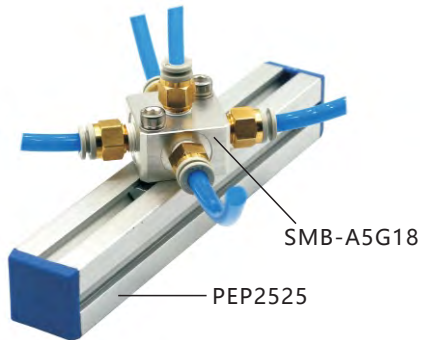
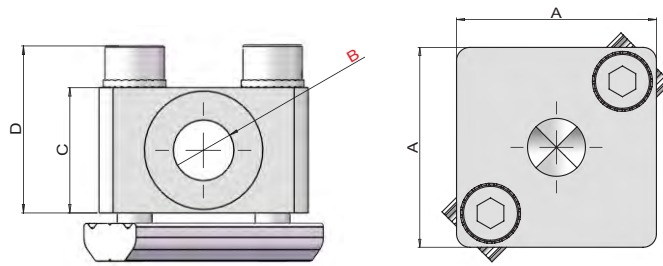
Air Nipper

Vacuum Module

Accessory Components

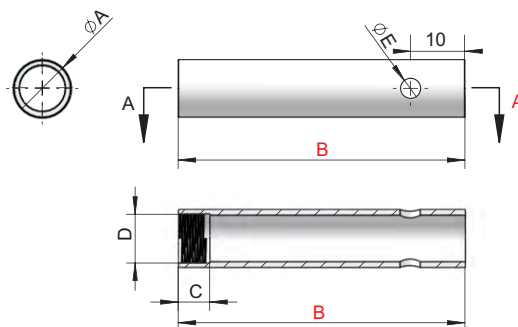
Manifold Block

SMB-A5G18T 7.Y00240-T



PN	7.Y00240	7.Y00241
Model	SMB-A5G18	SMB-A5G14
A(mm)	30	40
B(mm)	(x5)G1/8	(x5)G1/4
C(mm)	18	20
D(mm)	24	23
Accessories selection		
Screws	PTC-M5L25*2	PTC-M5L25*2
Single hole shim	PTS-M5*2	PTS-M5*2
T-Nuts	PTN-M5P28*1	PTN-M5P35*1
Weight	50g	80g

Extension Tube



PN	Model	A	B	C	D	E	Weight
7.Y00736	SMBY12-50	Ø12	50	12	M10*1	5	9g
7.Y00735	SMBY12-100	Ø12	100	12	M10*1	5	17g
7.Y00733	SMBY14-50	Ø14	50	12	M12*1	5	10g
7.Y00734	SMBY14-100	Ø14	100	12	M12*1	5	20g
7.Y00732	SMBY20-50	Ø20	50	15	M17*1	8	16g
7.Y00731	SMBY20-100	Ø20	100	15	M17*1	8	31g
7.Y00462	SMBY20-150	Ø20	150	15	M17*1	8	47g
7.Y00729	SMBY30-50	Ø30	50	18	M27*1	9	29g
7.Y00730	SMBY30-100	Ø30	100	18	M27*1	9	58g
7.Y00463	SMBY30-150	Ø30	150	18	M27*1	9	87g

Profile - SUS Tube

Stents Module

Quick Changer

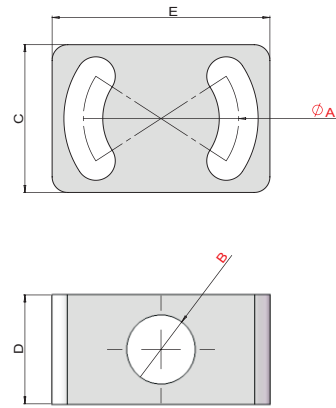
Grip Module

Air Nipper

Vacuum Module

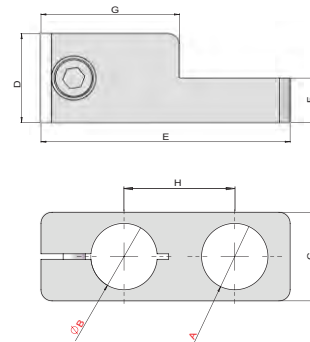
Accessory Components

Swing Block



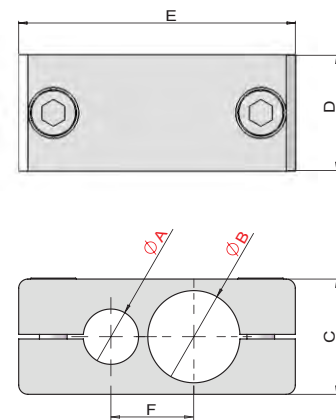
PN	Model	A	B	C	D	E	重量(Weight)
7.Y00048	SMBT4-G1820	Ø20	G1/8	19	14	28	11g

SSW Connector SSW



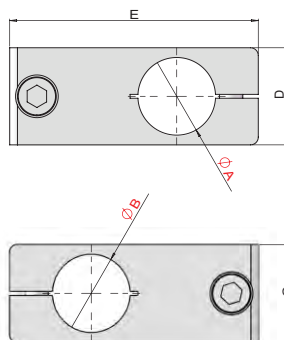
PN	Model	A	B	C	D	E	F	G	H	Weight
7.Y00028	SMBT1-M1412	M14	Ø12	16	16	45	8	25	20	16g

Parallel Connector

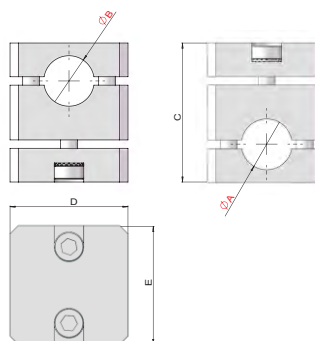


PN	Model	A	B	C	D	E	F	Weight
7.Y00042	SMBP-0808	Ø8	Ø8	12	12	35	10	11g
7.Y00043	SMBP-0812	Ø8	Ø12	16	16	43	12	23g
7.Y00044	SMBP-1212	Ø12	Ø12	16	16	44	14	21g
7.Y00045	SMBP-2012	Ø20	Ø12	25	25	60	18	75g
7.Y00046	SMBP-2020	Ø20	Ø20	25	25	66	24	71g

Cross Connector

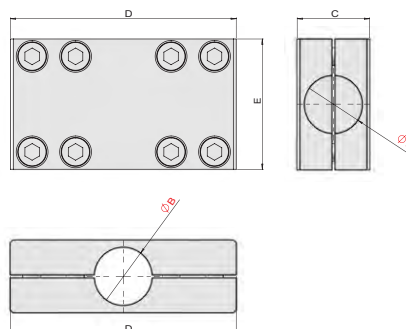


PN	Model	A	B	C	D	E	Weight
7.Y00025	SMBT-0808	Ø8	Ø8	12	12	35	10g
7.Y00026	SMBT-1208	Ø12	Ø8	12	16	43	16g
7.Y00020	SMBT-1212	Ø12	Ø12	16	16	47	22g
7.Y00794	SMBT-1214	Ø12	Ø14	18	18	48	29g
7.Y00027	SMBT-2012	Ø20	Ø12	25	25	59	72g
7.Y00005	SMBT-2020	Ø20	Ø20	25	25	64	68g



PN	Model	A	B	C	D	E	Weight
7.Y00192	SMBT2-1212	Ø12	Ø12	33	28	28	11g
7.Y00185	SMBT2-2020	Ø20	Ø20	48	42	42	30g

Cross Connector#2



PN	Model	A	B	C	D	E	Weight
7.Y00047	SMBT3-2020	Ø20	Ø20	25	78	45	170g

Profile · SUS Tube

Stents Module

Quick Changer

Grip Module

Air Nipper

Vacuum Module

Accessory Components

T Connector

Profile - SUS Tube

Stents Module

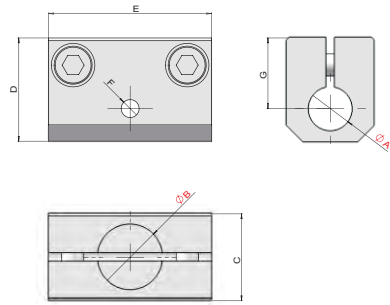
Quick Changer

Grip Module

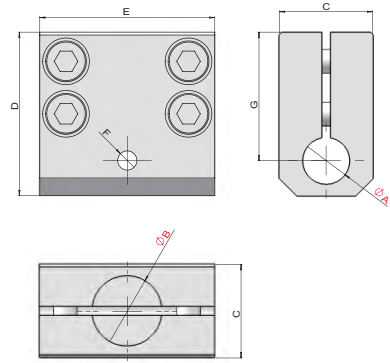
Air Nipper

Vacuum Module

Accessory Components

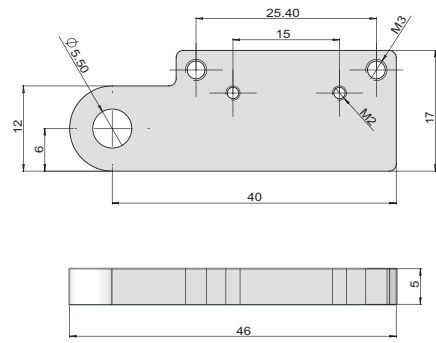


PN	Model	A	B	C	D	E	F	G	Weight
7.Y00029	SMBF-0808	Ø8	Ø8	12	20	30	M4	14	14g
7.Y00030	SMBF-0812	Ø8	Ø12	16	20	30	M4	14	23g
7.Y00031	SMBF-1208	Ø12	Ø8	16	26	30	M4	16	19g
7.Y00032	SMBF-1212	Ø12	Ø12	16	26	30	M4	16	18g
7.Y00033	SMBF-1220	Ø12	Ø20	25	30	45	M4	20	60g
7.Y00034	SMBF-2012	Ø20	Ø12	25	40	45	M4	25	63g
7.Y00035	SMBF-2020	Ø20	Ø20	25	40	45	M4	25	56g

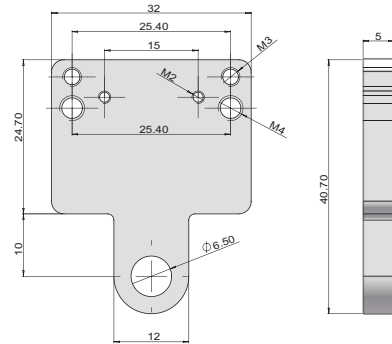


PN	Model	A	B	C	D	E	F	G	Weight
7.Y00036	SMBF1-0808	Ø8	Ø8	12	28	26	M4	22	15g
7.Y00037	SMBF1-0812	Ø8	Ø12	16	28	30	M4	22	31g
7.Y00038	SMBF1-1208	Ø12	Ø8	16	35	30	M4	25	29g
7.Y00003	SMBF1-1212	Ø12	Ø12	16	35	30	M4	25	26g
7.Y00039	SMBF1-1220	Ø12	Ø20	25	44	45	M4	34	88g
7.Y00040	SMBF1-2012	Ø20	Ø12	25	54	45	M4	39	111g
7.Y00041	SMBF1-2020	Ø20	Ø20	25	51.5	45	M4	39	78g

Sensor Bracket

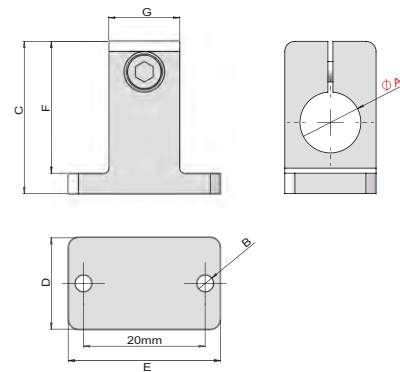


PN	Model	Weight
7.Y00070	SMBJ1-5	9g



PN	Model	Weight
7.Y00071	SMBJ2-6	12g

Chuck Bracket



PN	Model	A	B	C	D	E	F	G	Weight
7.Y00072	SMBT5-8	Ø8	M4	25	12	27	22	12	10g
7.Y00073	SMBT5-12	Ø12	M4	30	18	30	26	14	19g

Profile - SUS Tube

Stents Module

Quick Changer

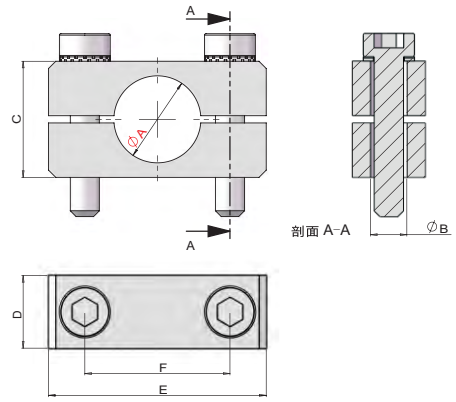
Grip Module

Air Nipper

Vacuum Module

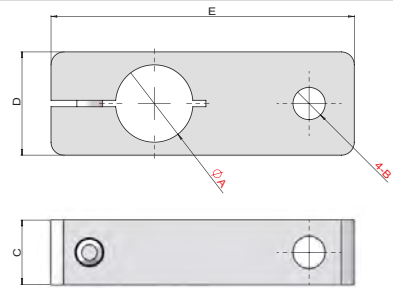
Accessory Components

Bracket



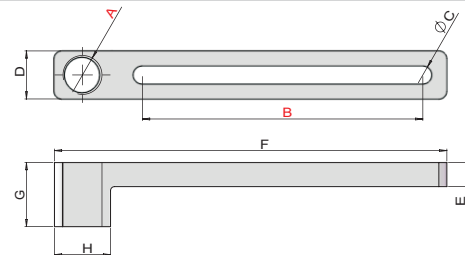
PN	Model	A	B	C	D	E	F	Weight
7.Y00074	SMBT6-12	Ø12	Ø6.5	16	16	40	30	35g

Suction Bracket

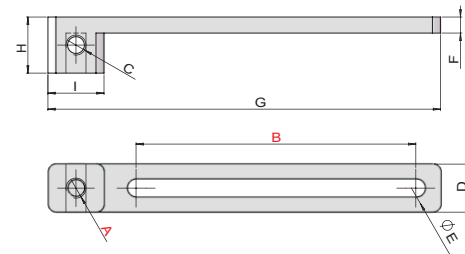


PN	Model	A	B	C	D	E	Weight
7.Y00057	SMBG1-8M5	Ø8	M5	12	12	33	9g
7.Y00058	SMBG1-8M6	Ø8	M6	10	12	33	9g
7.Y00059	SMBG1-12M5	Ø12	M5	10	16	47	16g
7.Y00060	SMBG1-12M6	Ø12	M6	10	16	47	16g
7.Y00061	SMBG1-12G18	Ø12	G1/8	16	16	47	25g

Slide Bracket



PN	Model	A	B	C	D	E	F	G	H	Weight
7.Y00115	SCF1-40M3	M3	40	4.5	12	5	56	10	8	7g
7.Y00118	SCF1-40G18	G1/8	40	4.5	12	6	68	16	14	12g
7.Y00129	SCF1-70M3	M3	70	4.5	12	5	86	10	8	10g
7.Y00132	SCF1-70G18	G1/8	70	4.5	12	6	98	16	14	15g



PN	Model	A	B	C	D	E	F	G	H	I	Weight
7.Y00173	SCF2-40M5	M5	40	M5	12	4.5	4	68	14	14	9g
7.Y00117	SCF2-40M6	M6	40	M6	12	4.5	4	68	14	14	10g
7.Y00130	SCF2-70M5	M5	70	M5	12	4.5	4	98	14	14	12g
7.Y00131	SCF2-70M6	M6	70	M6	12	4.5	4	98	14	14	13g

Profile - SUS Tube

Stents Module

Quick Changer

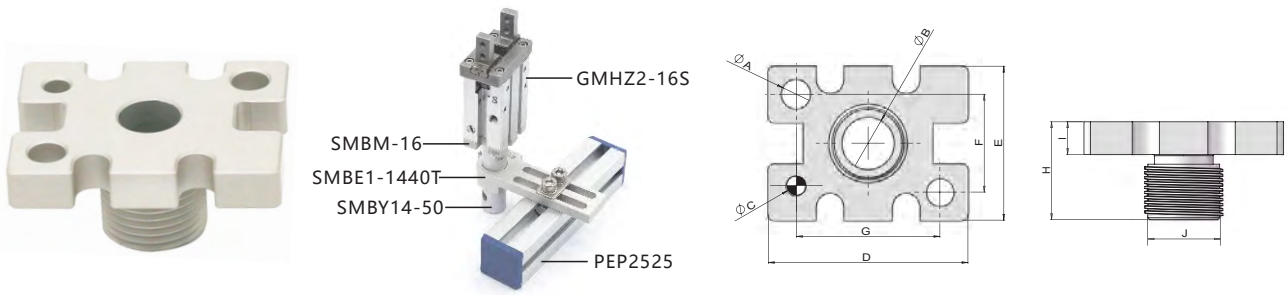
Grip Module

Air Nipper

Vacuum Module

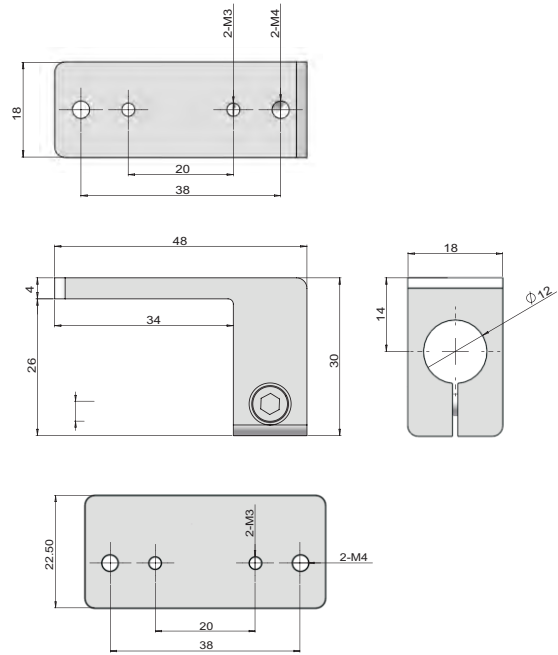
Accessory Components

Gripper Installation Bracket



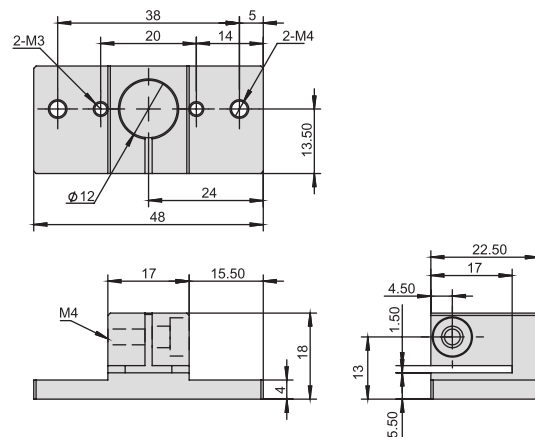
PN	Model	A	B	C	D	E	F	G	H	I	J	Weight
7.Y00740	SMBM-10	Ø3.2	Ø6	Ø2	23	16.4	12	18	14	4	M10*1	5g
7.Y00741	SMBM-16	Ø4.2	Ø7	Ø3	30.6	23.6	15	22	15	5	M12*1	10g
7.Y00728	SMBM-20	Ø5.5	Ø7	Ø4	42	27.6	18	32	15	5	M12*1	14g
7.Y00739	SMBM-25	Ø6.5	Ø11	Ø5	52	33.6	22	40	18	6	M12*1	27g
7.Y00738	SMBM-32	Ø6.5	Ø11	Ø5	60	40	26	46	18	6	M17*1	36g
7.Y00737	SMBM-40	Ø8.5	Ø20	Ø5	72	48	32	56	20	8	M27*1	67g

Bracket L12



PN	Model	Weight
7.Y00081	SMBT9-12	23g

Bracket T



PN	Model	Weight
7.Y00082	SMBU-12	21g

Profile · SUS Tube

Stents Module

Quick Changer

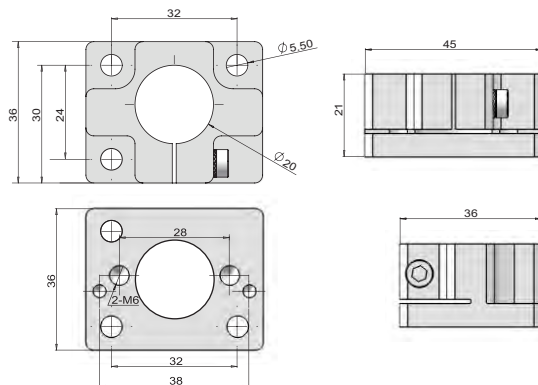
Grip Module

Air Nipper

Vacuum Module

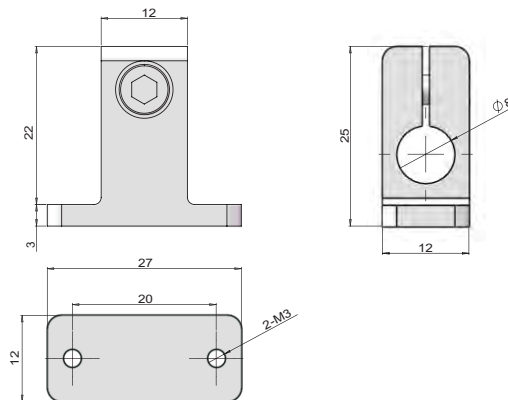
Accessory Components

Bracket T

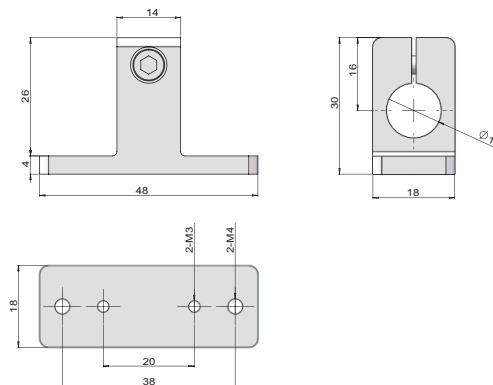


PN	Model	Weight
7.Y00255	SMBU2-20	49g

Bracket TH



PN	Model	Weight
7.Y00085	SMBU3-8	10g



PN	Model	Weight
7.Y00086	SMBU4-12	22g

Profile · SUS_Tube

Stents Module

Quick Changer

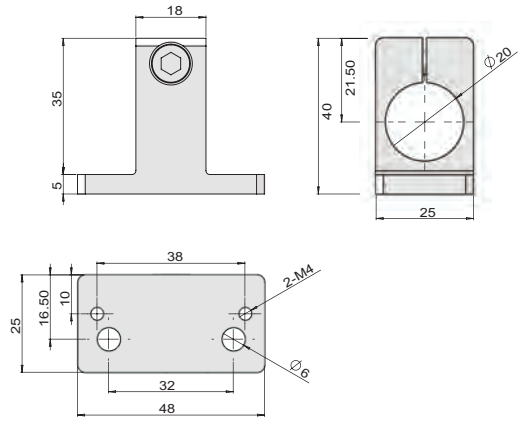
Grip Module

Air Nipper

Vacuum Module

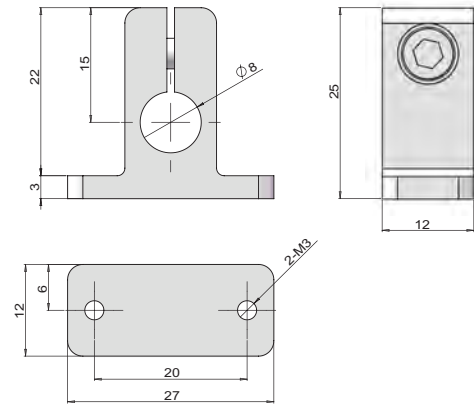
Accessory Components

Bracket TH

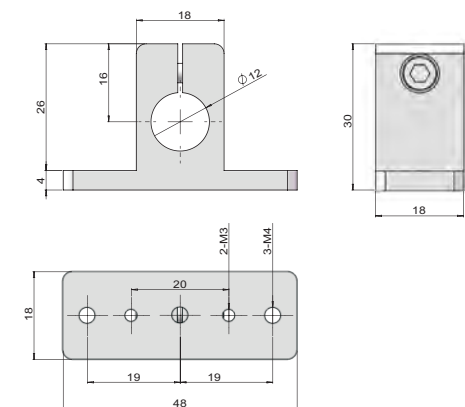


PN	Model	Weight
7.Y00087	SMBU5-20	44g

Bracket TV



PN	Model	Weight
7.Y00088	SMBU6-8	10g



PN	Model	Weight
7.Y00089	SMBU7-12	26g

Profile - SUS Tube

Stents Module

Quick Changer

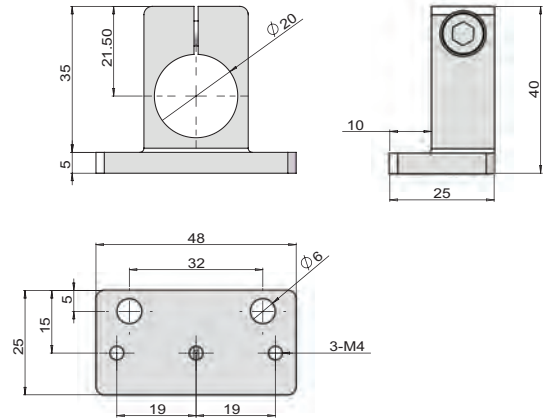
Grip Module

Air Nipper

Vacuum Module

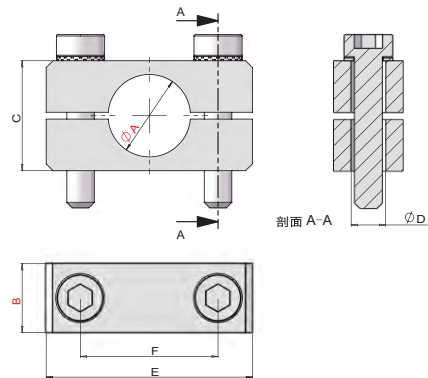
Accessory Components

Bracket T



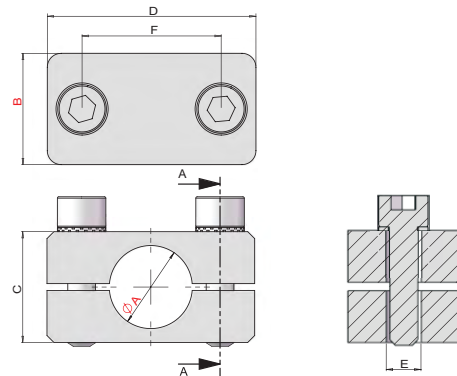
PN	Model	Weight
7.Y00090	SMBU8-20	39g

Bracket



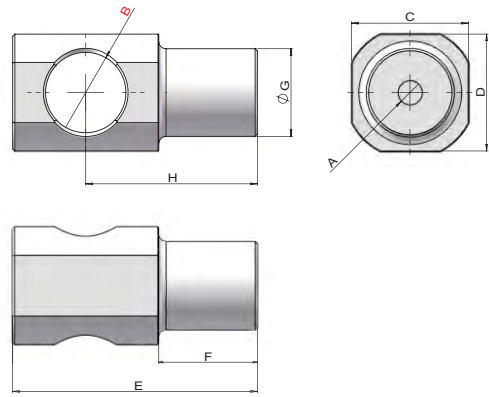
PN	Model	A	B	C	D	E	F	Weight
7.Y00091	SMBK1-8T10	$\Phi 8$	10	16	$\Phi 5.5$	30	20	20g
7.Y00092	SMBK1-12T10	$\Phi 12$	10	16	$\Phi 5.5$	30	20	14g
7.Y00093	SMBK1-20T10	$\Phi 20$	10	27	$\Phi 6.5$	40	30	36g
7.Y00094	SMBK1-8T16	$\Phi 8$	16	16	$\Phi 6.5$	30	20	32g
7.Y00095	SMBK1-12T16	$\Phi 12$	16	16	$\Phi 4.5$	30	20	20g
7.Y00096	SMBK1-20T16	$\Phi 20$	16	27	$\Phi 6.5$	40	30	48g

Slide Bracket

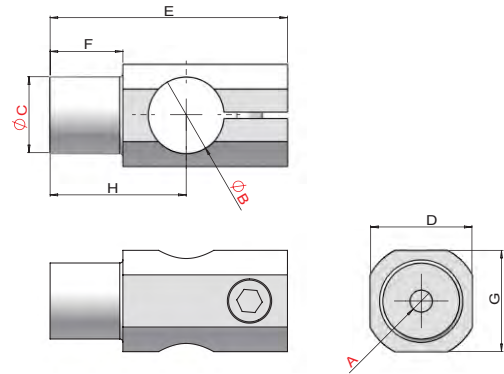


PN	Model	A	B	C	D	E	F	Weight
7.Y00064	SMBS-8T10	$\Phi 8$	10	16	30	M4	20	16g
7.Y00065	SMBS-12T10	$\Phi 12$	10	16	30	M4	20	15g
7.Y00066	SMBS-20T10	$\Phi 20$	10	25	40	M6	30	33g
7.Y00067	SMBS-8T16	$\Phi 8$	16	16	30	M6	20	29g
7.Y00001	SMBS-12T16	$\Phi 12$	16	16	30	M6	20	29g
7.Y00068	SMBS-20T16	$\Phi 20$	16	25	40	M6	30	44g

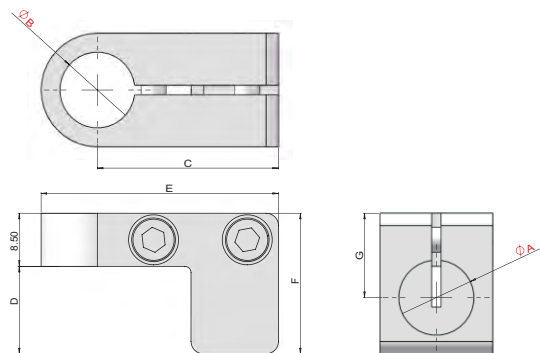
Rotation Bracket



PN	Model	A	B	C	D	E	F	G	H	Weight
7.Y00099	SMBR2-M10	M4	M10	14	14	26.5	11.5	Ø8	19	6g
7.Y00100	SMBR2-M12	M4	M12	16	16	33.5	13.5	Ø12	23.5	12g



PN	Model	A	B	C	D	E	F	G	H	Weight
7.Y00103	SMBR4-0808M4	M4	Ø8	Ø8	12	32.5	11.5	12	17.5	7g
7.Y00110	SMBR4-1208M4	M4	Ø12	Ø8	16	37.5	11.5	16	21.5	13g
7.Y00019	SMBR4-1212M4	M4	Ø12	Ø12	16	39.5	13.5	16	23.5	15g
7.Y00268	SMBR4-1212M4L	M4	Ø12	Ø12	16	55	29	16	39	20g
7.Y00461	SMBR4-1420M6	M6	Ø14	Ø20	25	60	20	25	37	70g
7.Y00007	SMBR4-2020M6	M6	Ø20	Ø20	25	60	20	25	37	59g
7.Y00206	SMBR4-2020M6L	M6	Ø20	Ø20	25	85	45	25	62	81g



PN	Model	A	B	C	D	E	F	G	Weight
7.Y00111	SMBR5-1208	Ø12	Ø8	29	14	38	22.5	13.5	24g
7.Y00104	SMBR5-0808	Ø8	Ø8	29	11.5	36	20	13	16g
7.Y00112	SMBR5-1212	Ø12	Ø12	29	14	38	22.5	13.5	18g

Profile - SUS Tube

Stents Module

Quick Changer

Grip Module

Air Nipper

Vacuum Module

Accessory Components

Rotation Bracket

Profile - SUS Tube

Stents Module

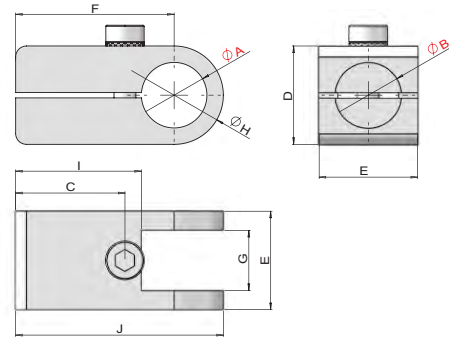
Quick Changer

Grip Module

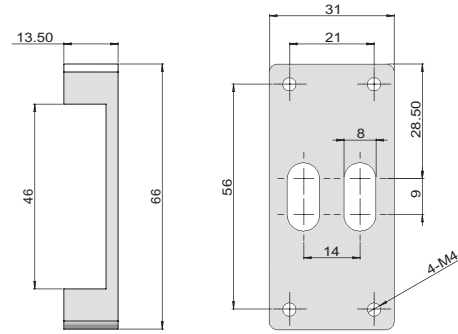
Air Nipper

Vacuum Module

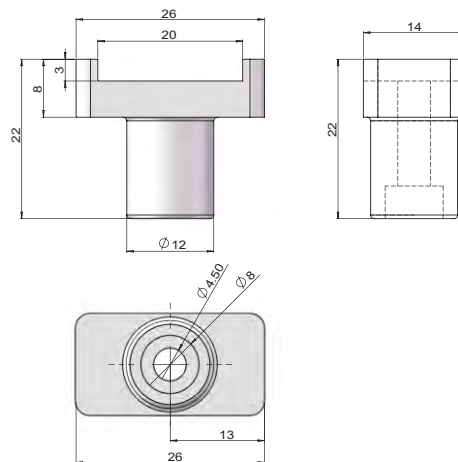
Accessory Components



PN	Model	A	B	C	D	E	F	G	H	I	J	Weight
7.Y00113	SMBR7-0808	Ø8	Ø8	M4	15	15	25	10	15	21	32.5	13g
7.Y00114	SMBR7-1212	Ø12	Ø12	M4	18	18	29	11	18	23	38	18g



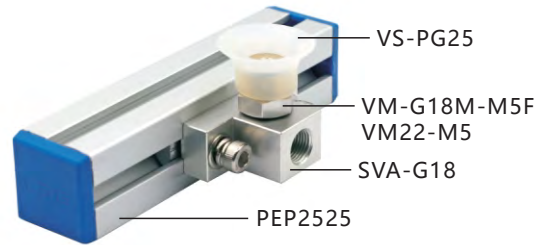
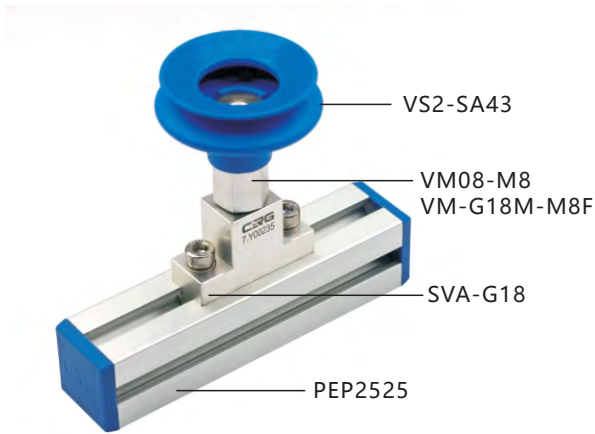
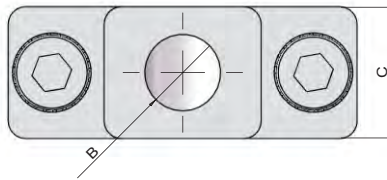
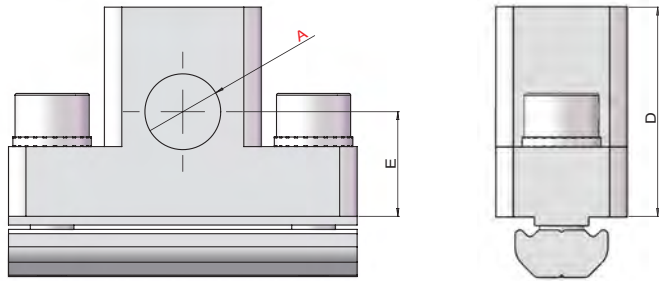
PN	Model	Weight
7.Y00063	SMBR-46	31g



PN	Model	Weight
7.Y00098	SMBR1-12	9g

Direct Connector For Vacuum Cup

SVA-G18T 7.Y00235-T



PN	7.Y00235	7.Y00237
Model	SVA-G18	SVA-G14
A(mm)	G1/8	G1/4
B(mm)	G1/8	G1/8
C(mm)	15	15
D(mm)	24	24
E(mm)	12	10
PEP2518	√	√
PEP2525	√	√
PEP5025	√	√
PEP4040	√	√
Screws	PTC-M5L16*2	PTC-M5L16*2
Single hole shim	PTS-M5*2	PTS-M5*2
T-Nuts	PTN-M5P30*1	PTN-M5P30*1
Weight	42g	40g

Profile · SUS Tube

Stents Module

Quick Changer

Grip Module

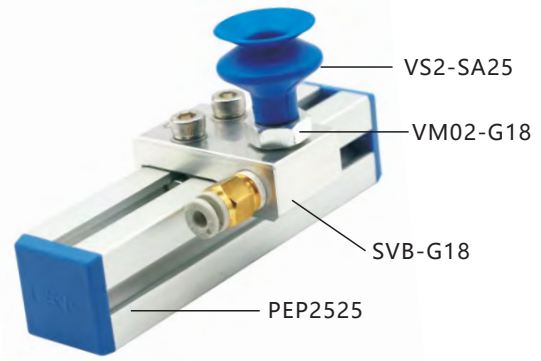
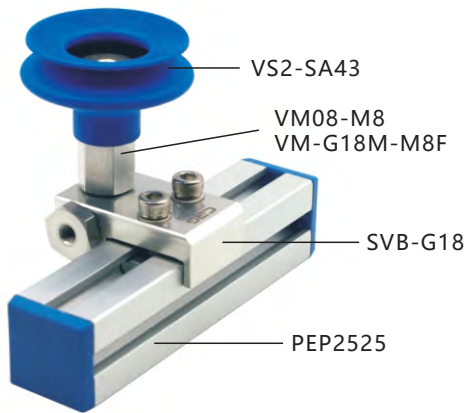
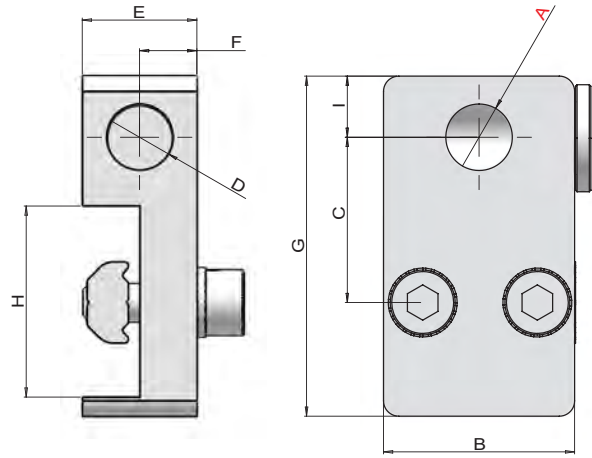
Air Nipper

Vacuum Module

Accessory Components

Direct Connector For Vacuum Cup

SVB-M5T 7.Y00242-T



PN	7.Y00242	7.Y00244	7.Y00243
Model	SVB-M5	SVB-G18	SVB-G14
A(mm)	M5	G1/8	G1/4
B(mm)	16	25	25
C(mm)	13.5	21.5	21.5
D(mm)	M5	G1/8	G1/8
E(mm)	8	15	15
F(mm)	4	7.5	7.5
G(mm)	29	44.5	46.5
H(mm)	18	25	25
I (mm)	4.3	8	10
PEP2518	-	√	√
PEP2525	-	√	√
PEP5025	-	√	√
Screws	PTC-M4L12*2	PTC-M5L16*2	PTC-M5L16*2
Single hole shim	PTS-M4*2	PTS-M5*2	PTS-M5*2
T-Nuts	PTN-M4P8*1	PTN-M5P15*1	PTN-M5P15*1
Weight	15g	45g	45g

Profile / SUS Tube

Stents Module

Quick Changer

Grip Module

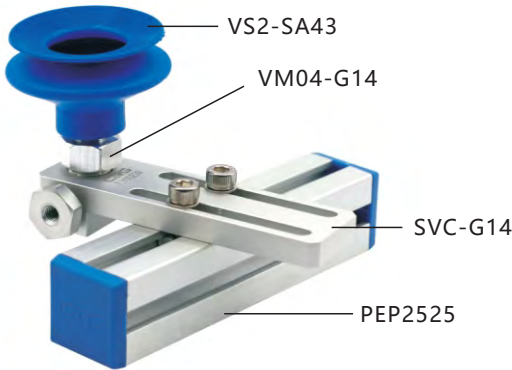
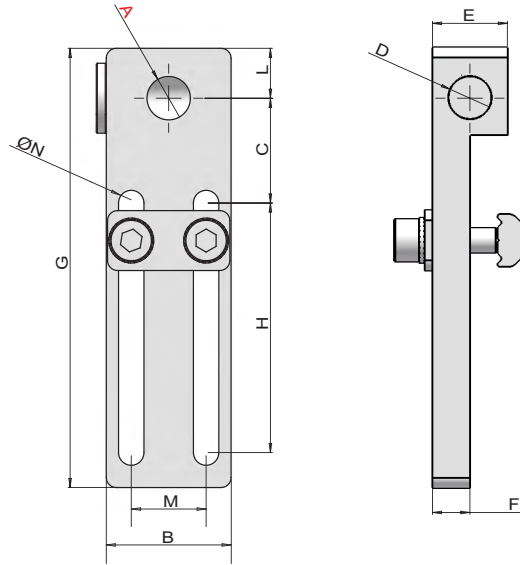
Air Nipper

Vacuum Module

Accessory Components

Mounting Bracket For Vacuum Cup

SVC-M5T 7.Y00328-T



PN	7.Y00328	7.Y00238	7.Y00239
Model	SVC-M5	SVC-G18	SVC-G14
A(mm)	M5	G1/8	G1/4
B(mm)	16	25	25
C(mm)	14	21	21
D(mm)	M5	G1/8	G1/8
E(mm)	8	15	15
F(mm)	4	7.5	7.5
G(mm)	65	88	88
H(mm)	40	50	50
L(mm)	6	10	10
M(mm)	8	15	15
N(mm)	Ø4.2	Ø5.2	Ø5.2
PEP2518	√	√	√
PEP2525	√	√	√
PEP5025	√	√	√
PEP4040	-	√	√
Screws	PTC-M4L12*2	PTC-M5L16*2	PTC-M5L16*2
Single hole shim	PTS-M4*2	PTS-M5*2	PTS-M5*2
T-Nuts	PTN-M4P8*1	PTN-M5P15*1	PTN-M5P15*1
Double holes shim	PTD-M4P8*1	PTD-M5P15*1	PTD-M5P15*1
Weight	20g	60g	60g

Profile - SUS Tube

Stents Module

Quick Changer

Grip Module

Air Nipper

Vacuum Module

Accessory Components

Mounting Bracket For Vacuum Cup

SVD-M5T 7.Y00416-T

Profile · SUS Tube

Stents Module

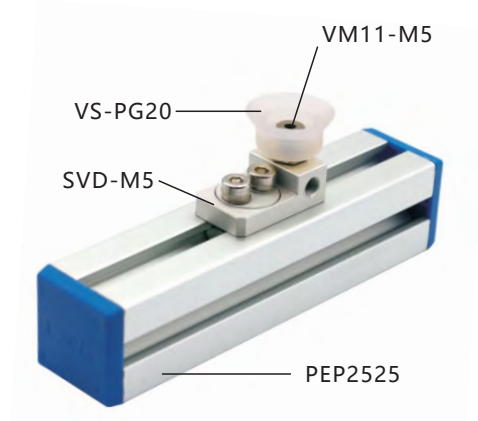
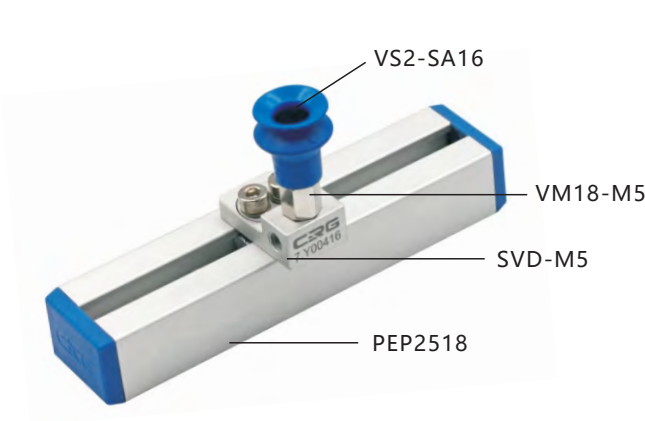
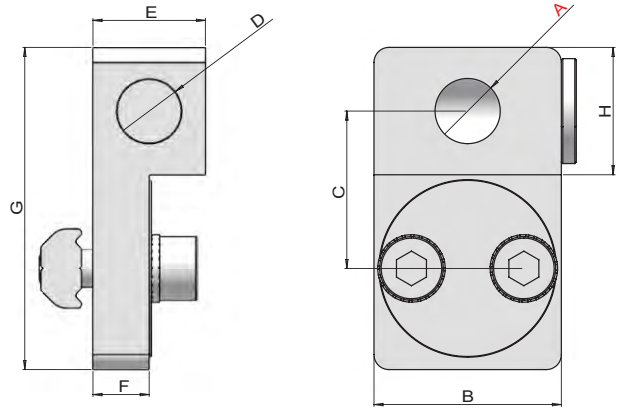
Quick Changer

Grip Module

Air Nipper

Vacuum Module

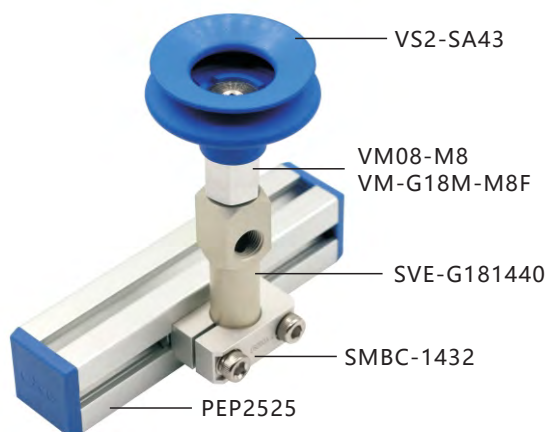
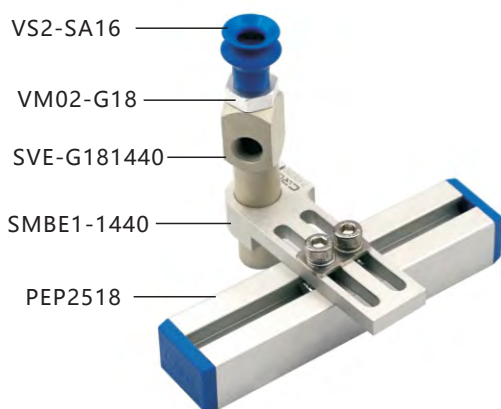
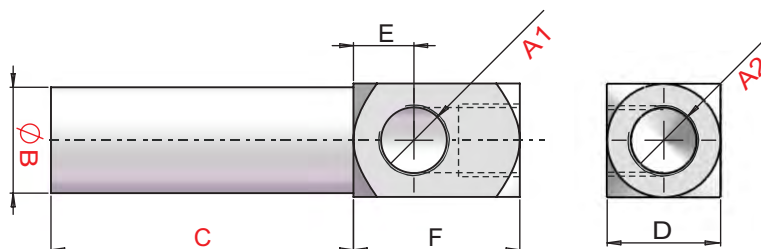
Accessory Components



PN	7.Y00416	7.Y00417	7.Y00418
Model	SVD-M5	SVD-G18	SVD-G14
A(mm)	M5	G1/8	G1/4
B(mm)	16	25	25
C(mm)	13	21	21
D(mm)	M5	G1/8	G1/8
E(mm)	10	15	15
F(mm)	5.3	7.8	7.8
G(mm)	28	43	43
H(mm)	10	17	17
PEP2518	√	√	√
PEP2525	√	√	√
PEP5025	√	√	√
PEP4040	-	√	√
Screws	PTC-M4L12*2	PTC-M5L16*2	PTC-M5L16*2
Single hole shim	PTS-M4*2	PTS-M5*2	PTS-M5*2
T-Nuts	PTN-M4P8*1	PTN-M5P15*1	PTN-M5P15*1
Weight	15g	45g	42g

Leg For Vacuum Cup

Application example



PN	Model	A1 (mm)	A2 (mm)	B (mm)	C (mm)	D (mm)	E (mm)	F (mm)	Weight
7.Y00410	SVE-M51030	M5	M5	Ø10	30	11	6	16	10g
7.Y00411	SVE-M51060	M5	M5	Ø10	60	11	6	16	13g
7.Y00412	SVE-M51090	M5	M5	Ø10	90	11	6	16	17g
7.Y00772	SVE-M51230	M5	M5	Ø12	30	13	7	17	12g
7.Y00773	SVE-M51260	M5	M5	Ø12	60	13	7	17	15g
7.Y00774	SVE-M51290	M5	M5	Ø12	90	13	7	17	19g
7.Y00413	SVE-G181440	G1/8	G1/8	Ø14	40	15	8	22	17g
7.Y00414	SVE-G181480	G1/8	G1/8	Ø14	80	15	8	22	25g
7.Y00415	SVE-G1814120	G1/8	G1/8	Ø14	120	15	8	22	32g
7.Y00008	SVE-G142050	G1/8	G1/4	Ø20	50	20	8	23	40g
7.Y00009	SVE-G1420100	G1/8	G1/4	Ø20	100	20	8	23	60g
7.Y00010	SVE-G1420150	G1/8	G1/4	Ø20	150	20	8	23	75g

Profile - SUS Tube

Stents Module

Quick Changer

Grip Module

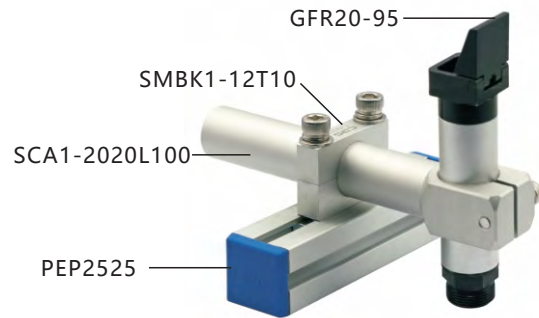
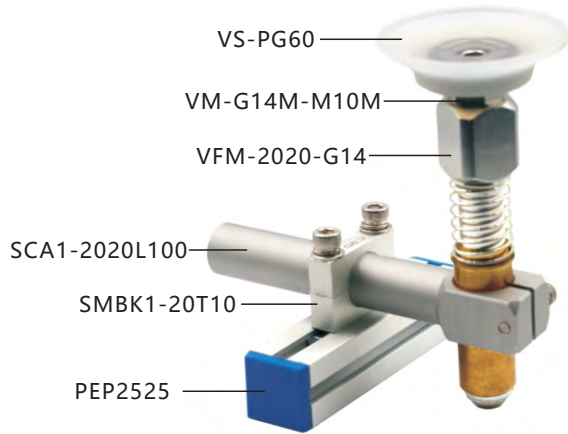
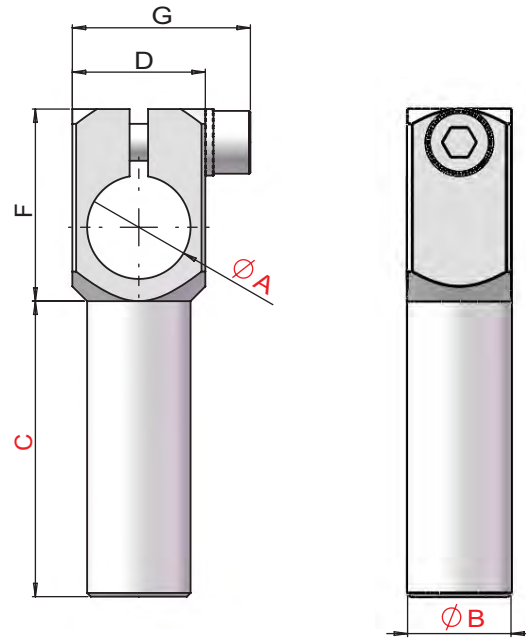
Air Nipper

Vacuum Module

Accessory Components

Clamp Leg

Application example



PN	Model	A(mm)	B(mm)	C(mm)	D(mm)	F(mm)	G(mm)	Weight
7.Y00398	SCA1-1010L30	Ø10	Ø10	30	14	19	19	10g
7.Y00399	SCA1-1010L60	Ø10	Ø10	60	14	19	19	15g
7.Y00400	SCA1-1010L90	Ø10	Ø10	90	14	19	19	20g
7.Y00769	SCA1-1212L30	Ø12	Ø12	30	19	21	21	13g
7.Y00770	SCA1-1212L60	Ø12	Ø12	60	19	21	21	18g
7.Y00771	SCA1-1212L90	Ø12	Ø12	90	19	21	21	23g
7.Y00401	SCA1-1414L40	Ø14	Ø14	40	18	26	24	20g
7.Y00402	SCA1-1414L80	Ø14	Ø14	80	18	26	24	30g
7.Y00403	SCA1-1414L120	Ø14	Ø14	120	18	26	24	40g
7.Y00404	SCA1-2020L50	Ø20	Ø20	50	25	32	32	45g
7.Y00405	SCA1-2020L100	Ø20	Ø20	100	25	32	32	70g
7.Y00406	SCA1-2020L150	Ø20	Ø20	150	25	32	32	105g
7.Y00407	SCA1-3030L80	Ø30	Ø30	80	40	44	46	170g
7.Y00408	SCA1-3030L140	Ø30	Ø30	140	40	44	46	230g
7.Y00409	SCA1-3030L200	Ø30	Ø30	200	40	44	46	300g

Profile · SUS Tube

Stents Module

Quick Changer

Grip Module

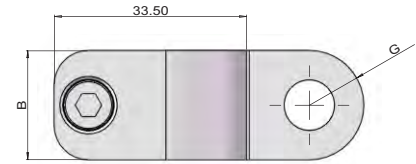
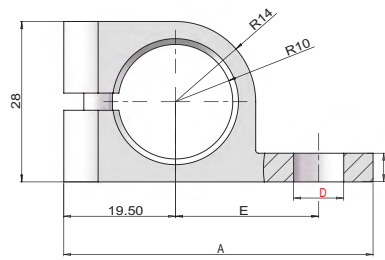
Air Nipper

Vacuum Module

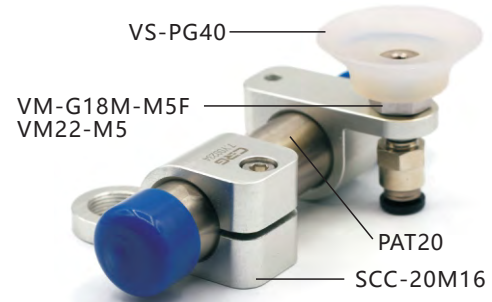
Accessory Components

Swivelling Support

Application example

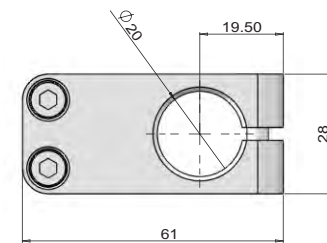
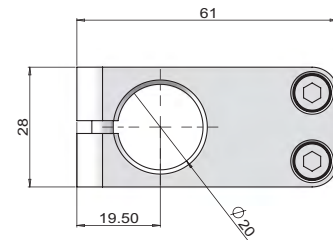
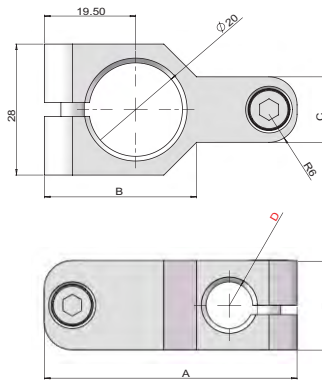


PN	7.Y00236	7.Y00234
Spec	SCC-20G18	SCC-20M16
A(mm)	53.5	60.5
B(mm)	19	24
C(mm)	5	6
D(mm)	G1/8	M16×1
E(mm)	25	29
G(mm)	R9.5	R12
Weight	30g	40g



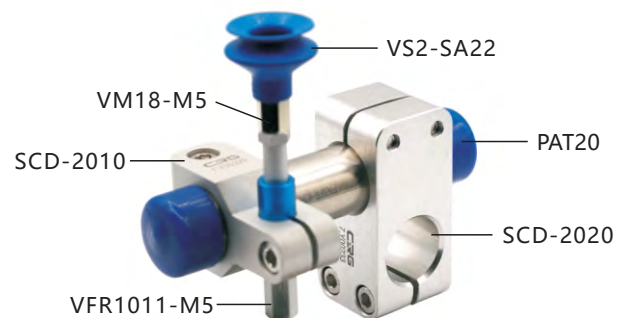
Cross Connection Block

Application example



SCD-2020

PN	7.Y00329	7.Y00330	7.Y00233
Model	SCD-2010	SCD-2014	SCD-2020
A(mm)	54	56	
B(mm)	32.5	30.5	
C(mm)	14	18	
D(mm)	Ø10	Ø14	
E(mm)	19	22	
Weight	40g	45g	70g



Profile - SUS Tube

Stents Module

Quick Changer

Grip Module

Air Nipper

Vacuum Module

Accessory Components

NR Nipper Mounting Bracket

Profile - SUS Tube

Stents Module

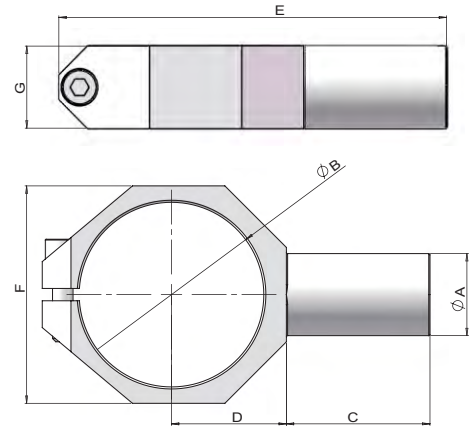
Quick Changer

Grip Module

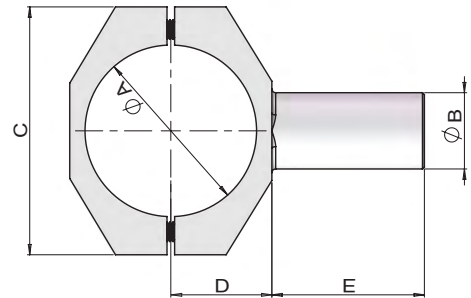
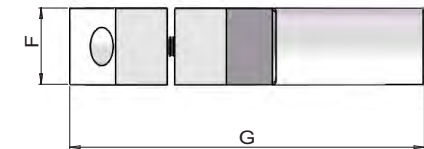
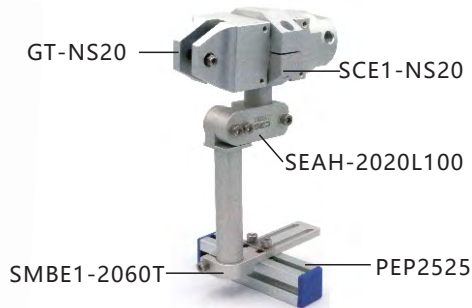
Air Nipper

Vacuum Module

Accessory Components

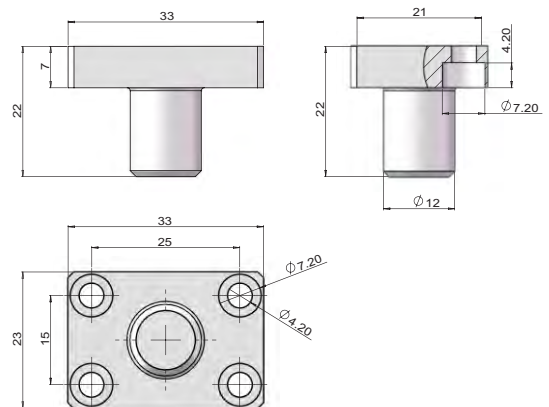


PN	7.Y00331	7.Y00261	7.Y00742
Model	SCE-NR20	SCE-NR30	SCE-NR50
A(mm)	Ø20	Ø20	Ø30
B(mm)	Ø45	Ø56	Ø75
C(mm)	35	40	48
D(mm)	28	33	41
E(mm)	94.5	111	138
F(mm)	53	65	83
G(mm)	20	25	40
Weight	65g	110g	308g



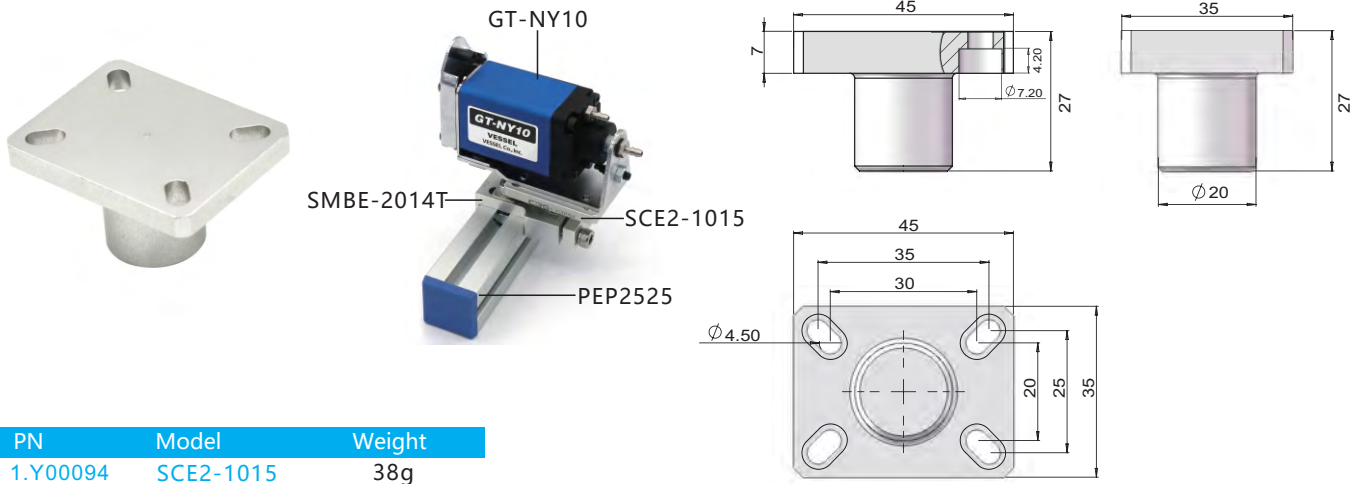
PN	7.Y00692	7.Y00693
Model	SCE1-NS20	SCE1-NS30
A(mm)	Ø45	Ø56
B(mm)	Ø20	Ø20
C(mm)	65	76
D(mm)	28	33
E(mm)	40	40
F(mm)	20	20
G(mm)	94	106
Weight	111g	123g

NY05 Fixing Block



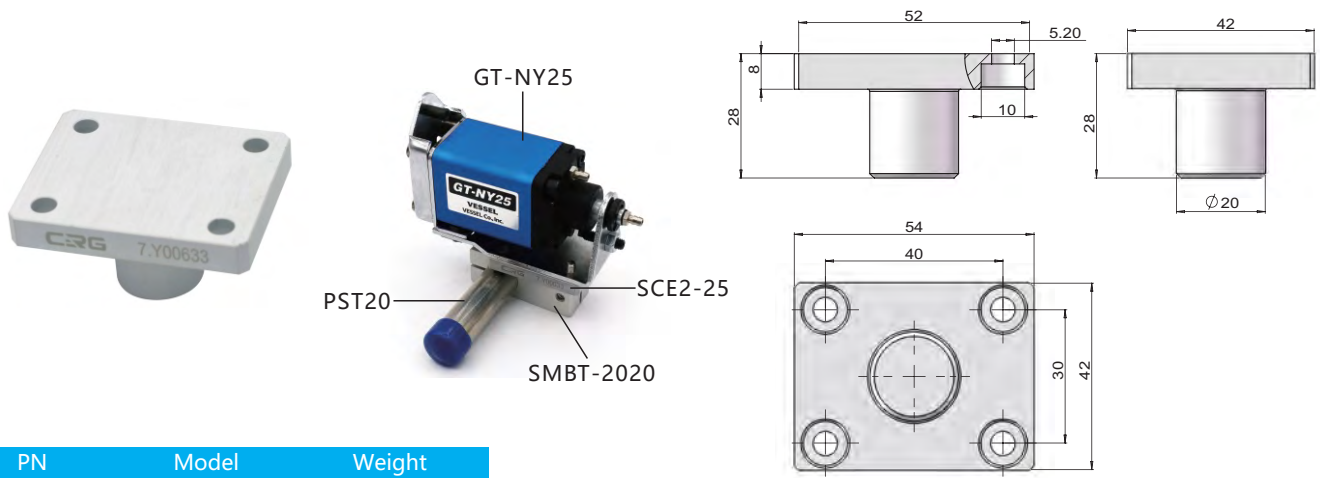
PN	Model	Weight
7.Y00796	SCE2-05	17g

NY10.NY15 Fixing Block



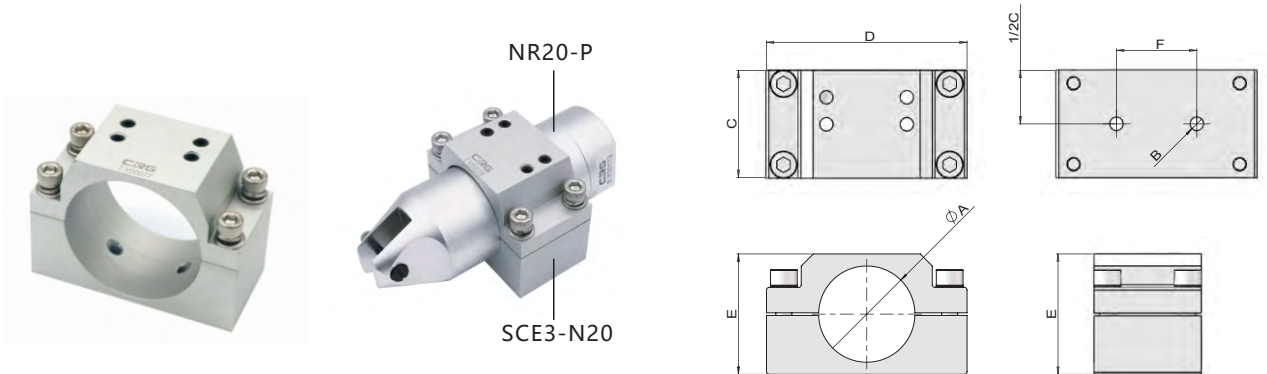
PN	Model	Weight
1.Y00094	SCE2-1015	38g

NY25 Fixing Block



PN	Model	Weight
7.Y00633	SCE2-25	61g

Nipper Bracket



PN	Model	A	B	C	D	E	F	Weight
7.Y00075	SCE3-N10	Ø36	M6	40	75	45	30	246g
7.Y00076	SCE3-N20	Ø45	M6	40	75	53	30	228g
7.Y00077	SCE3-N30	Ø56	M6	40	86	63	30	267g

Profile - SUS Tube

Stents Module

Quick Changer

Grip Module

Air Nipper

Vacuum Module

Accessory Components

Gas Cut Bracket

Profile / SUS Tube

Stents Module

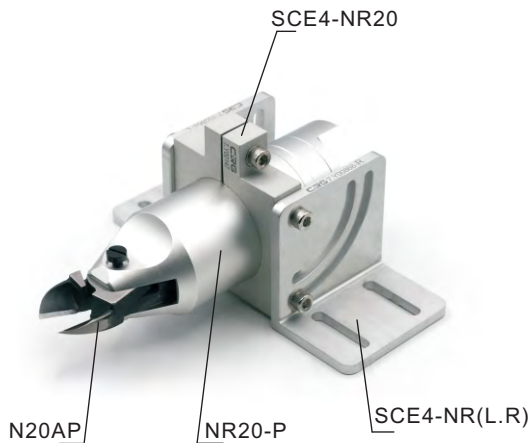
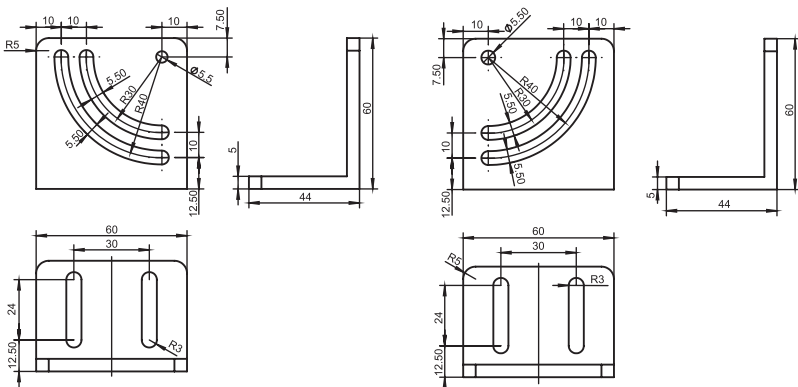
Quick Changer

Grip Module



PN	7.Y00868
Model	SCE4-NR(L.R)

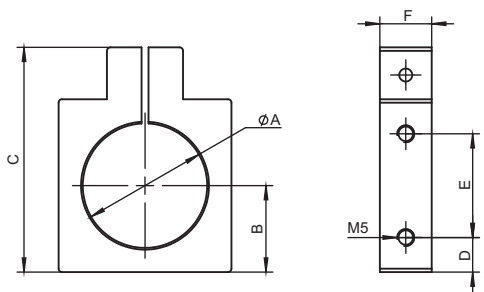
- ※L.R mate sales
- ※GT-NRuse
- ※Weight: 65.5g



Gas cut fixation

Air Nipper

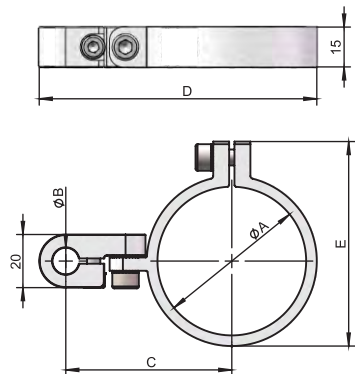
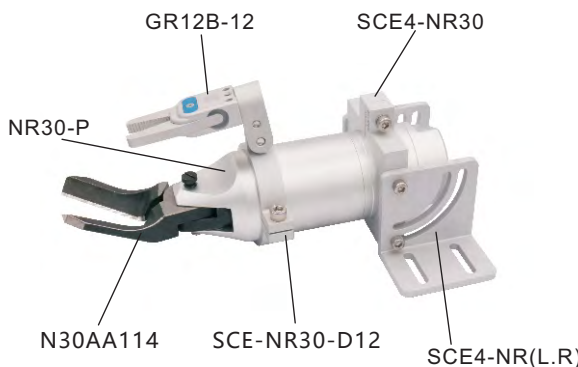
Vacuum Module



PN	Model	A	B	C	D	E	F	Weight
7.Y00146	SCE4-NR30	56	35	85	10	40	15	111g
7.Y00147	SCE4-NR20	45	30	75	10	40	15	93g
7.Y00148	SCE4-NR10	36	25	65	10	30	15	72g

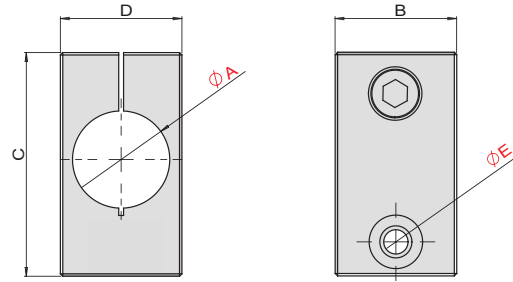
Adjustable Nipper Mounting Clamps

Accessory Components

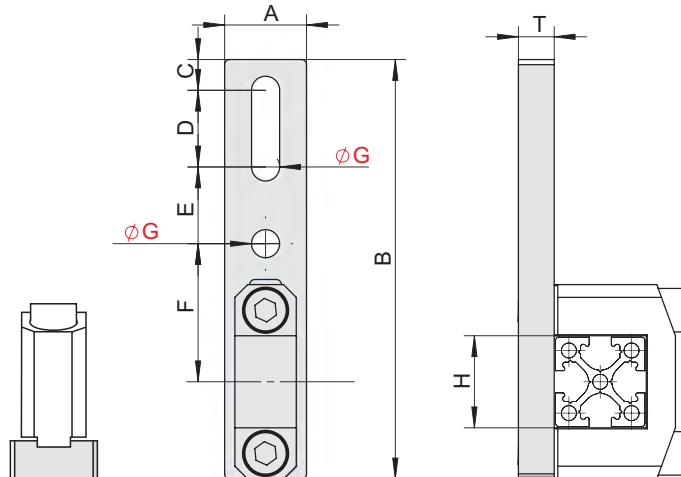


PN	Model	A	B	C	D	E	Weight
7.Y00946	SCE-NR20-D10	Ø45	Ø10	56.5	93	62	57.5
7.Y00947	SCE-NR20-D12	Ø45	Ø12	56.5	93	62	55.5
7.Y00948	SCE-NR30-D10	Ø56	Ø10	62.5	104.5	77	67.5
7.Y00949	SCE-NR30-D12	Ø56	Ø12	62.5	104.5	77	65.5

Access Robot Bracket

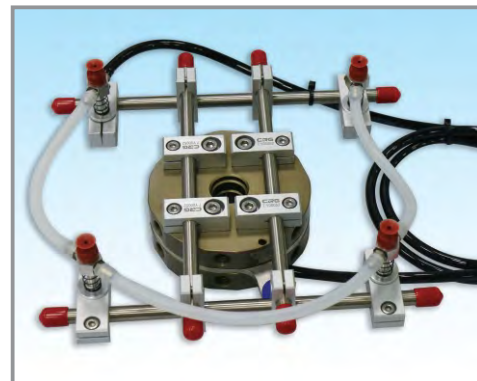


PN	Model	A	B	C	D	E	Weight
7.Y00051	SMBH1-8M5	Ø8	14	35	12	Ø5.5	15g
7.Y00052	SMBH1-8M6	Ø8	14	35	12	Ø6.5	12g
7.Y00053	SMBH1-12M5	Ø12	20	39	16	Ø5.5	30g
7.Y00002	SMBH1-12M6	Ø12	20	39	16	Ø6.5	25g
7.Y00054	SMBH1-12M8	Ø12	20	45	25	Ø9	42g
7.Y00055	SMBH1-20M6	Ø20	20	50	25	Ø6.5	48g
7.Y00056	SMBH1-20M8	Ø20	20	50	25	Ø9	51g



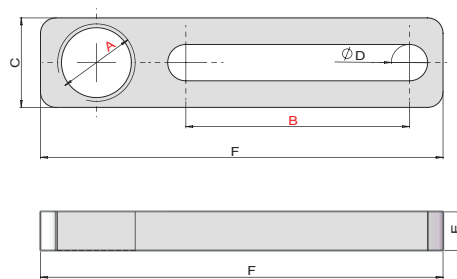
PN	Model	A	B	C	D	E	F	G	H	T	Weight
7.Y00869	SMBE7-18M5	16	82	6	15	15	27	Ø5.5	18	7	20.5g
7.Y00870	SMBE7-18M6	16	82	6	15	15	27	Ø6.5	18	7	20g
7.Y00871	SMBE7-25M5	16	90	7	15	15	30.5	Ø5.5	25	7	22.5g
7.Y00872	SMBE7-25M6	16	90	7	15	15	30.5	Ø6.5	25	7	22g

Application example



Slide Bracket

Profile - SUS Tube

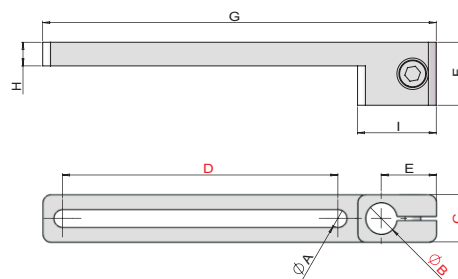


Stents Module

PN	Model	A	B	C	D	E	F	Weight
7.Y00119	SCF3-40M10	M10*1	40	16	6.5	5	70	10g
7.Y00120	SCF3-40M12	M12*1	40	16	6.5	5	72	10g
7.Y00121	SCF3-40M17	M17*1	40	25	6.5	5	80	20g
7.Y00133	SCF3-70M10	M10*1	70	16	6.5	5	100	14g
7.Y00134	SCF3-70M12	M12*1	70	16	6.5	5	102	14g
7.Y00135	SCF3-70M17	M17*1	70	25	6.5	5	110	28g

Quick Changer

Grip Module

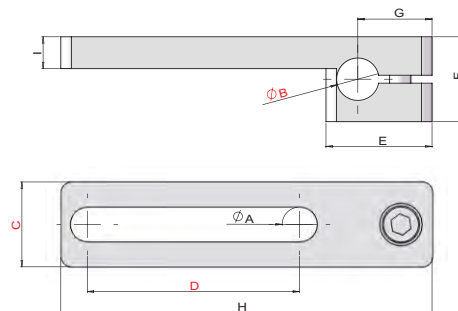
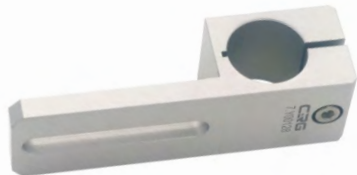


Air Nipper

PN	Model	A	B	C	D	E	F	G	H	I	Weight
7.Y00122	SCF4-0840W12	4.5	Ø8	12	40	14	16	70	6	20	14g
7.Y00123	SCF4-0840W16	6.5	Ø8	16	40	14	16	70	6	20	20g
7.Y00004	SCF4-1240W16	6.5	Ø12	16	40	16	16	75	6	25	21g
7.Y00124	SCF4-2040W25	6.5	Ø20	25	40	20	16	86	6	34	39g
7.Y00136	SCF4-0870W12	4.5	Ø8	12	70	14	16	100	6	20	18g
7.Y00137	SCF4-0870W16	6.5	Ø8	16	70	14	16	100	6	20	25g
7.Y00138	SCF4-1270W16	6.5	Ø12	16	70	16	16	105	6	25	25g
7.Y00139	SCF4-2070W25	6.5	Ø20	25	70	20	16	116	6	34	49g

Vacuum Module

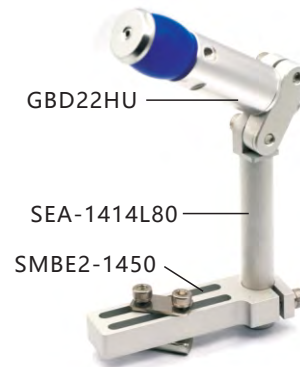
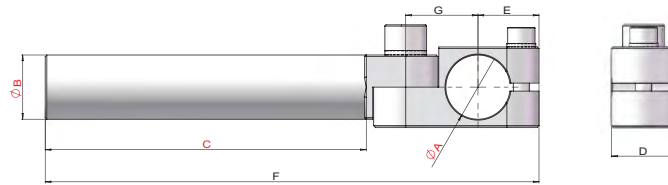
Accessory Components



PN	Model	A	B	C	D	E	F	G	H	I	Weight
7.Y00125	SCF5-0840W16	6.5	Ø8	16	40	20	16	14	70	6	20g
7.Y00126	SCF5-0840W12	4.5	Ø8	12	40	20	16	14	70	6	15g
7.Y00127	SCF5-1240W16	6.5	Ø12	16	40	25	16	16	75	6	20g
7.Y00128	SCF5-2040W25	6.5	Ø20	25	40	34	25	20	86	6	53g
7.Y00140	SCF5-0870W16	6.5	Ø8	16	70	20	16	14	100	6	25g
7.Y00141	SCF5-0870W12	4.5	Ø8	12	70	20	16	14	100	6	19g
7.Y00142	SCF5-1270W16	6.5	Ø12	16	70	25	16	16	105	6	25g
7.Y00143	SCF5-2070W25	6.5	Ø20	25	70	34	25	20	116	6	48g

Elbow Arm

Application example



PN	Model	A(mm)	B(mm)	C(mm)	D(mm)	E(mm)	F(mm)	G(mm)	Weight
7.Y00388	SEA-1010L60	Ø10	Ø10	60	10	13	93	12.5	20g
7.Y00776	SEA-1212L60	Ø12	Ø12	60	12	15	98	14.5	22g
7.Y00389	SEA-1414L40	Ø14	Ø14	40	14	16	82	16.5	32g
7.Y00390	SEA-1414L80	Ø14	Ø14	80	14	16	122	16.5	42g
7.Y00391	SEA-1414L120	Ø14	Ø14	120	14	16	162	16.5	50g
7.Y00392	SEA-2020L50	Ø20	Ø20	50	20	19	104	22.5	70g
7.Y00393	SEA-2020L100	Ø20	Ø20	100	20	19	154	22.5	90g
7.Y00394	SEA-2020L150	Ø20	Ø20	150	20	19	204	22.5	120g
7.Y00395	SEA-3030L80	Ø30	Ø30	80	30	27	160	34.8	235g
7.Y00396	SEA-3030L140	Ø30	Ø30	140	30	27	220	34.8	300g
7.Y00397	SEA-3030L200	Ø30	Ø30	200	30	27	280	34.8	360g

Profile · SUS Tube

Stents Module

Quick Changer

Grip Module

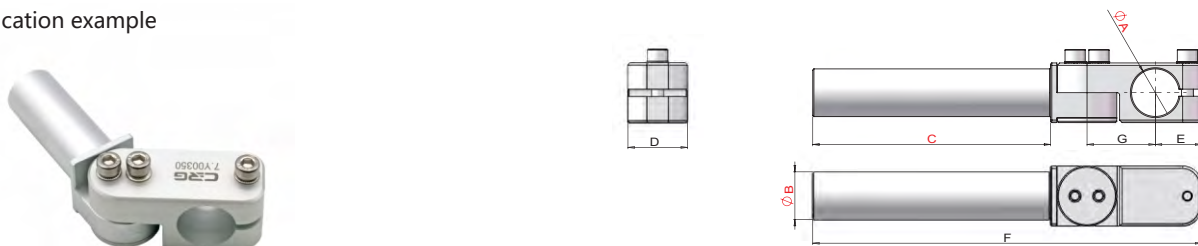
Air Nipper

Vacuum Module

Accessory Components

Heavy Duty Elbow Arm

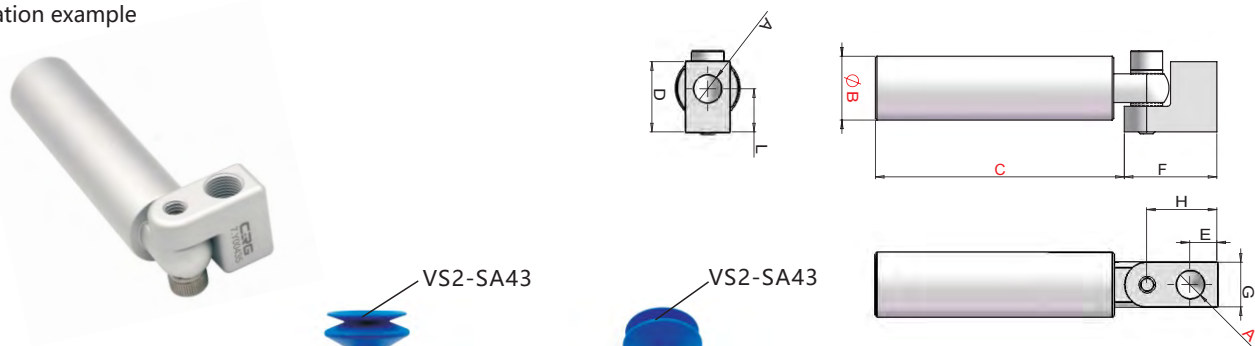
Application example



PN	7.Y00350	7.Y00351	7.Y00166	7.Y00352	7.Y00353	7.Y00354
Model	SEAH-2020L50	SEAH-2020L100	SEAH-2020L150	SEAH-3030L80	SEAH-3030L140	SEAH-3030L200
A(mm)	Ø20	Ø20	Ø20	Ø30	Ø30	Ø30
B(mm)	Ø20	Ø20	Ø20	Ø30	Ø30	Ø30
C(mm)	50	100	150	80	140	200
D(mm)	25	25	25	35	35	35
E(mm)	19.5	19.5	19.5	27.3	27.3	27.3
F(mm)	113.5	163.5	213.5	168.5	228.5	288.5
G(mm)	28.7	28.7	28.7	40.7	40.7	40.7
Weight	95g	115g	130g	330g	380g	435g

Elbow Arm For Vacuum Cup

Application example



PN	Model	A(mm)	B(mm)	C(mm)	D(mm)	E(mm)	F(mm)	G(mm)	H(mm)	L(mm)	Weight
7.Y00432	SEAV-M510L45	M5	Ø10	45	16.5	5.5	19	10	22	11	18g
7.Y00433	SEAV-M510L90	M5	Ø10	90	16.5	5.5	19	10	22	11	27g
7.Y00258	SEAV-G1814L60	G1/8	Ø14	60	22	8.5	29	14	22	13.5	33g
7.Y00434	SEAV-G1814L120	G1/8	Ø14	120	22	8.5	29	14	22	13.5	50g
7.Y00435	SEAV-G1820L78	G1/8	Ø20	78	22	8.5	29	14	22	13.5	60g
7.Y00247	SEAV-G1820L153	G1/8	Ø20	153	22	8.5	29	14	22	13.5	100g
7.Y00436	SEAV-G1420L75	G1/4	Ø20	75	27	12	38	20	28	15	75g
7.Y00437	SEAV-G1420L150	G1/4	Ø20	150	27	12	38	20	28	15	115g

Profile · SUS Tube

Stents Module

Quick Changer

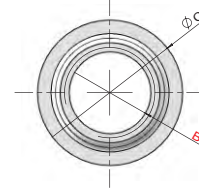
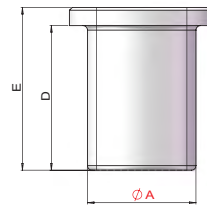
Grip Module

Air Nipper

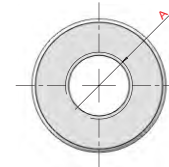
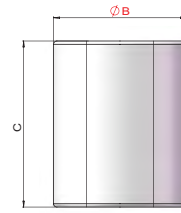
Vacuum Module

Accessory Components

Bush Nut

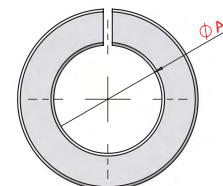
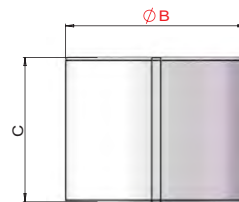


PN	Model	A	B	C	D	E	Weight
7.Y00271	SBNA-8M5	Ø8	M5x0.8	Ø12	8	10	1g
7.Y00272	SBNA-8M6	Ø8	M6x1.0	Ø12	8	10	1g
7.Y00273	SBNA-12M5	Ø12	M5x0.8	Ø16	16	18	5g
7.Y00274	SBNA-12M10	Ø12	M10x1.0	Ø16	16	18	3g
7.Y00276	SBNA-20M12	Ø20	M12x1.0	Ø24	16	18	11g
7.Y00277	SBNA-20M17	Ø20	M17x1.0	Ø24	16	18	5g



PN	Model	A	B	C	Weight
7.Y00275	SBNB-12PT18	PT1/8	Ø12	16	2g
7.Y00278	SBNB-20PT18	PT1/8	Ø20	25	17g

Bush



PN	Model	A	B	C	Weight
7.Y00280	SBND-1208	Ø8	Ø12	16	6g
7.Y00281	SBND-2012	Ø12	Ø20	16	9g
7.Y00282	SBND-2008	Ø8	Ø20	16	11g

Profile · SUS Tube

Stents Module

Quick Changer

Grip Module

Air Nipper

Vacuum Module

Accessory Components