

PHRS

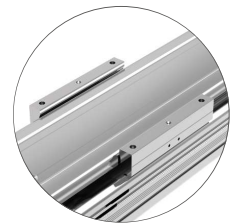
series



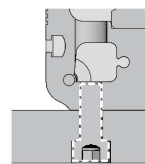
30 · 40 · 50 Mini 타입 등 다양한 제품군
Various products line-up including mini types of 30, 40 and 50.

투시형 커버 (풀리 · 모터)
Transparent cover (Pulley-motor)

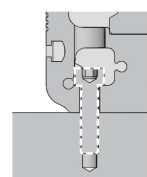
WIDE SLIDE 적용으로 중간 체결판 불요 (Option)
Wide slides eliminates the need for intermediate fastening plates. (option)



상 · 하 양방향으로 자유로운 취부 가능
Free attachment to upward and downward directions.



[하부에서 조립]
[Lower fastening]



[상부에서 조립]
[Upper fastening]

PHRS Series

주문형식 Order Information



① 형식 Type

S Standard Robot, Ball Screw Type

② 본체 사이즈 Body Size

30 30mm

③ 형상 Shape

Normal Type



④ 이송거리 Stroke, In increment of 50mm

Ball Screw Spec	ST (mm)	100	200	300	400	500
L : 0802-C7						

⑤ 모터용량 Motor capacity

5 50W **10** 100W

⑥ 브레이크 부착 Motor Brake

None Without Brake **B** With Brake

⑦ 속도 Speed, Motor 3000 rpm

L 100mm/s

※ 볼나사의 회전수가 높아지면 축의 고유 진동수에 의한 공진 발생과 볼나사 축의 회전 원심력에 의한 내부 볼 순환 이상 및 리턴부 손상발생으로 위험속도를 계산하여 이송거리에 따른 최고 사용 속도를 정합니다.

If the ball screw speed is raised, the rotary generates a resonance and the circular rotation of the inner ball can cause damage to the inner ball. Therefore, calculate the risk velocity and determine the maximum speed according to the transfer distance.

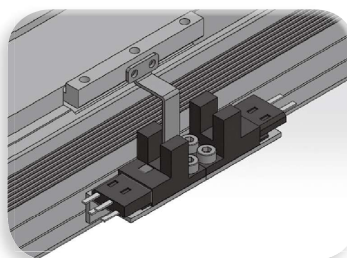
선택사양 Option



⑧ 로봇 색상 Robot Color Option

None	White (Standard)	B	Black Anodizing
-------------	------------------	----------	-----------------

⑨ 센서 Sensor



None	Without Sensor (Standard)	E1	SUNX (PM-Y65)
		E2	OMRON (EE-SX674A)
		E3	SUNX (PM-L25)

⑩ 표면처리 Surface Treatment

None	Without Surface Treatment	
R1	LM Rail-Raydent	S1 Screw Shaft-Raydent
R2	LM Rail+Block-Raydent	S2 Screw Shaft+Nut-Raydent
RS1	LM Rail & Screw Shaft-Raydent	
RS2	LM Rail+Block & Screw Shaft+Nut-Raydent	

⑪ 감속기 Reduction Gear

None	Without Reduction Gear (Standard)
G**	With Reduction Gear
**	Reduction Gear Ratio 03~10

⑫ 케이블베어 Cableveyor

None	Without Cableveyor	C	With Cableveyor
-------------	--------------------	----------	-----------------

PHRS Standard Robot Ball Screw Type

PHRB

PHRC

PHRT

PHM

PSR

PLR

PSB/PHB

Gearbox



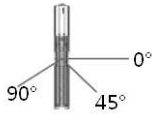
SBAC

사양 Specifications

공통사양 Common Specifications

Stroke Range	mm	50 ~ 250
Positioning Repeatability		±0.02 (Rolled, Ground C7)
Drive System	mm	Ball Screw Ø8
Guide		1 Way 9 – 1UU
Main Base & Slide		Aluminum Profile, Soft White Anodizing
Cover		Aluminum Cover

허용 이격 거리 Allowable Overhang Distance

Installation Types Load capacity		Setting Angle	Allowable Overhang Distance (mm)			
			3kg	5kg	7kg	10kg
Horizontal Use		0°	85	45	35	20
		45°	105	60	40	25
		90°	320	180	125	80
Wall Mount Use		0°	260	130	70	20
		45°	60	38	18	—
		90°	100	60	45	—
Vertical Use		0°	65	40	28	20
		45°	45	30	20	14
		90°	65	40	28	20
Estimated Condition	Stroke : 200mm Speed : Max Speed Acceleration : 0.2sec Life in traveled distance : 15000km or 15000Hr					

최고속도 및 부하하중 Max Speed & Payload

Ball Screw Specifications	Max Speed		AC Servo Motor 50W		AC Servo Motor 100W	
	Mark	mm/s	Horizontal	Vertical	Horizontal	Vertical
0802-C7	L	100	9kg	4kg	13kg	6kg
Estimated Condition	Stroke : 200mm Speed : Max Speed Acceleration : 0.2sec Servo Motor Rotate : 3000rpm					

이송거리별 최고속도 Max Speed by Stroke

Ball Screw		Stroke (mm) & Speed (mm/sec)									
DIA	Lead	50	100	150	200	250	300	350	400	450	500
Ø8	2	100									

이송거리별 무게 Weight by Stroke

PHRS030 Robot			Stroke (mm) & Weight (kg)									
Motor	DIA	Type	50	100	150	200	250	300	350	400	450	500
100W	Ø8	S	4.4	4.9	5.4	5.9	6.4					
		P	4.3	4.8	5.3	5.8	6.3					

PHRS Standard Robot Ball Screw Type

PHRB

PHRC

PHRT

PHM

PSR

PLR

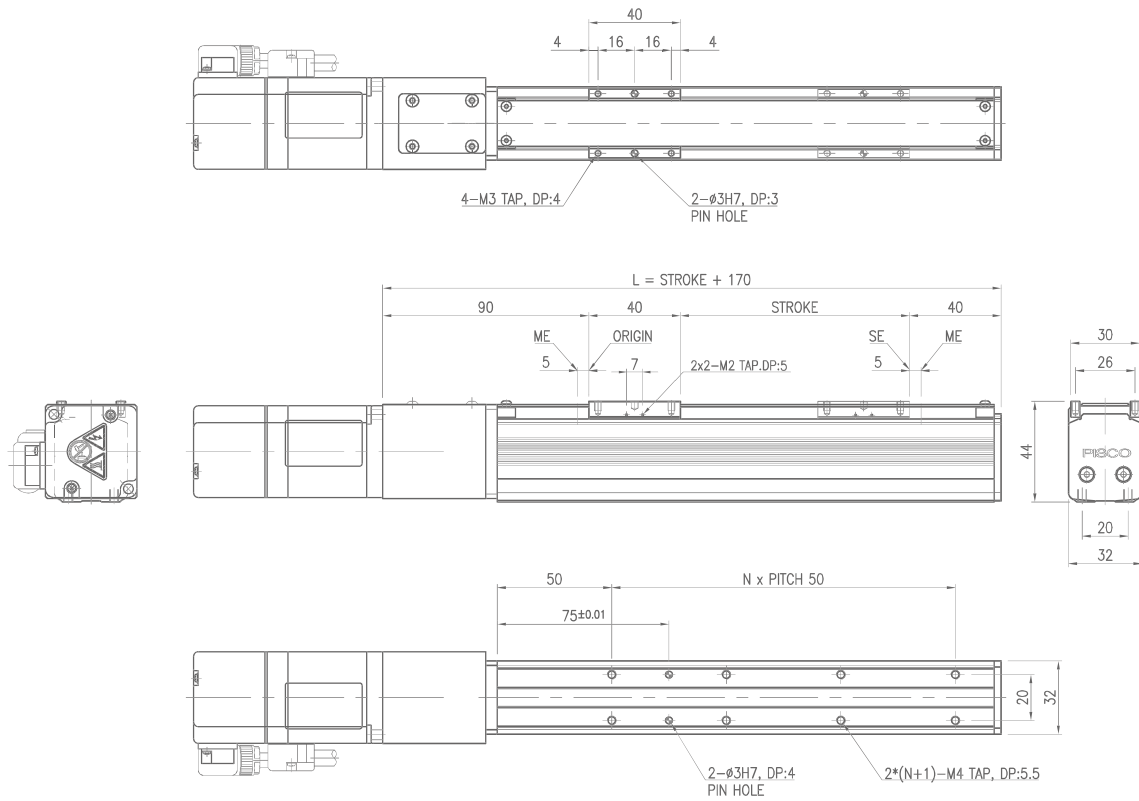
PSB/PHB

Gearbox

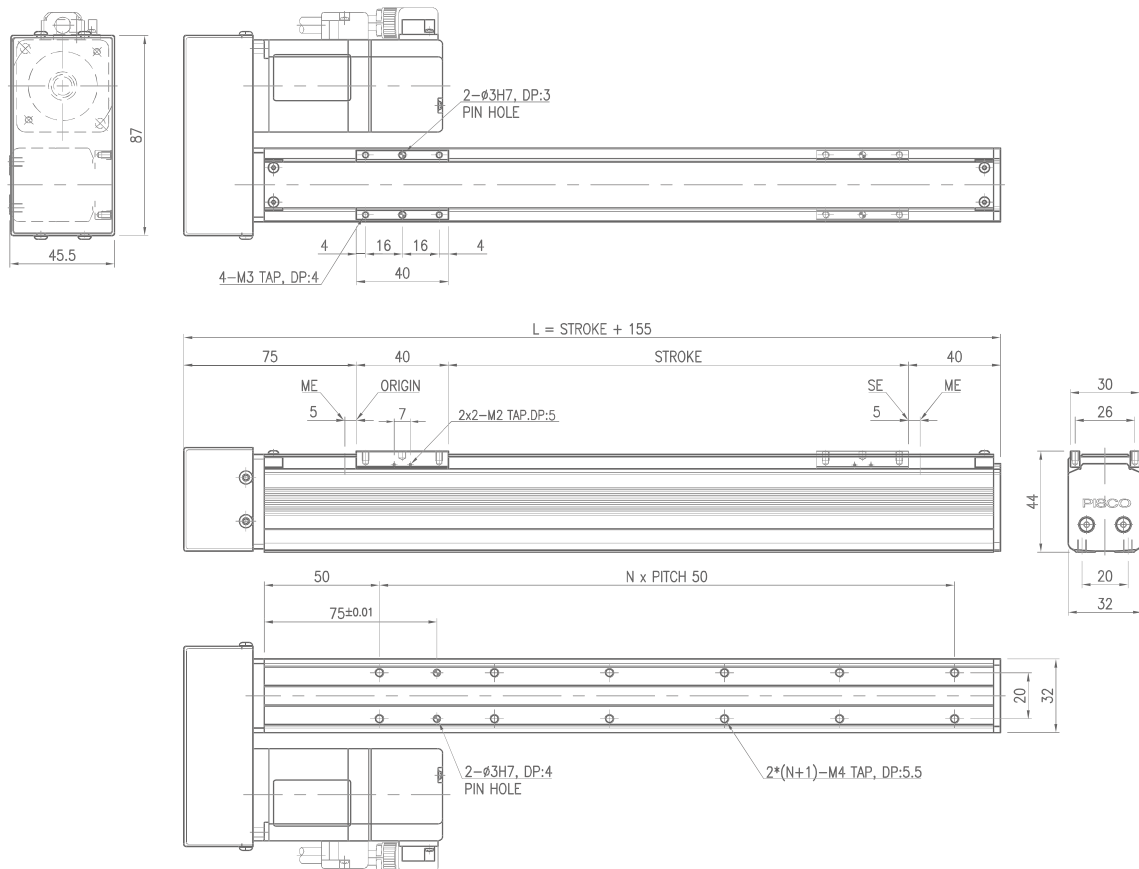
SBAC

치수도 Dimension (mm)

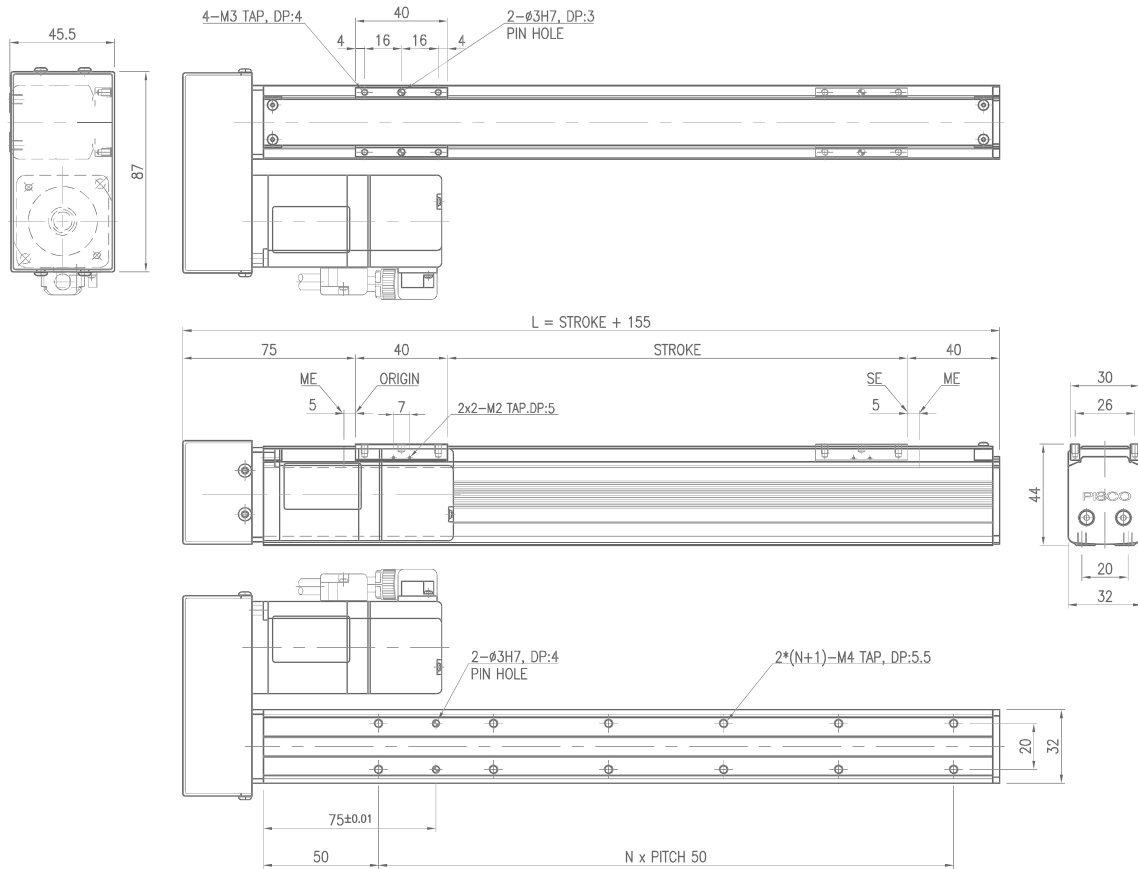
PHRS030-S-10



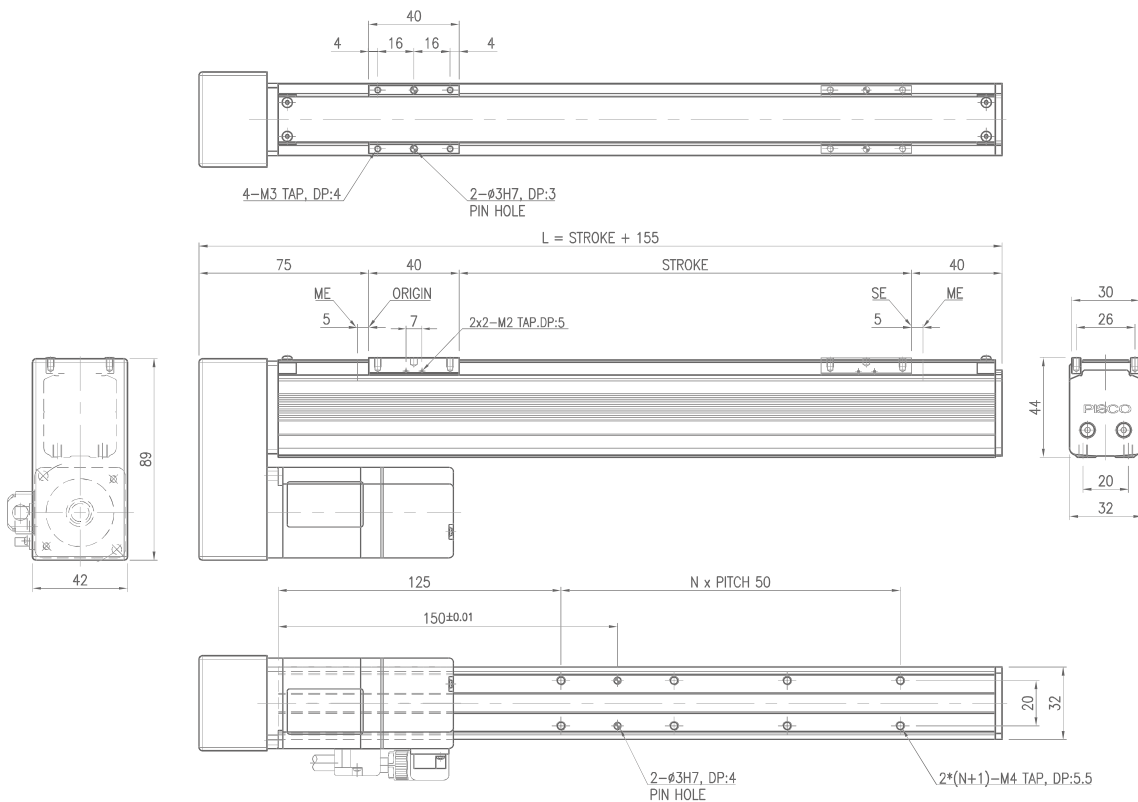
PHRS030-L-10



PHRS030-R-10



PHRS030-U-10



PHRS Standard Robot Ball Screw Type

PHRB

PHRC

PHRT

PHM

PSR

PLR

PSB/PHB

Gearbox

SBAC

PHRS Series

주문형식 Order Information



① 형식 Type

S Standard Robot, Ball Screw Type

② 본체 사이즈 Body Size

40 40mm

③ 형상 Shape

Normal Type



④ 이송거리 Stroke, In increment of 50mm

Ball Screw Spec	ST (mm)	200	400	600	800	1000
L : 1205-C7		████████████████████				
N : 1210-C7		████████████████████				

⑤ 모터용량 Motor capacity

5 50W **10** 100W

⑥ 브레이크 부착 Motor Brake

None Without Brake **B** With Brake

⑦ 속도 Speed, Motor 3000 rpm

L 250mm/s **N** 500mm/s

※ 볼나사의 회전수가 높아지면 축의 고유 진동수에 의한 공진 발생과 볼나사 축의 회전 원심력에 의한 내부 볼 순환 이상 및 리턴부 손상발생으로 위험속도를 계산하여 이송거리에 따른 최고 사용 속도를 정합니다.

If the ball screw speed is raised, the rotary generates a resonance and the circular rotation of the inner ball can cause damage to the inner ball. Therefore, calculate the risk velocity and determine the maximum speed according to the transfer distance.

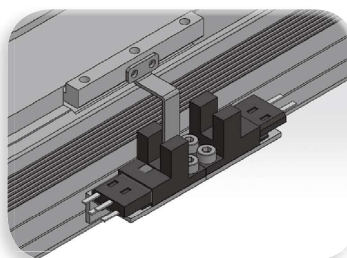
선택사양 Option



⑧ 로봇 색상 Robot Color Option

None	White (Standard)	B	Black Anodizing
-------------	------------------	----------	-----------------

⑨ 센서 Sensor



None	Without Sensor (Standard)	E1	SUNX (PM-Y65)
		E2	OMRON (EE-SX674A)
		E3	SUNX (PM-L25)

⑩ 표면처리 Surface Treatment

None	Without Surface Treatment	
R1	LM Rail-Raydent	S1 Screw Shaft-Raydent
R2	LM Rail+Block-Raydent	S2 Screw Shaft+Nut-Raydent
RS1	LM Rail & Screw Shaft-Raydent	
RS2	LM Rail+Block & Screw Shaft+Nut-Raydent	

⑪ 감속기 Reduction Gear

None	Without Reduction Gear (Standard)
G**	With Reduction Gear
**	Reduction Gear Ratio 03~10

⑫ 케이블베어 Cableveyor

None	Without Cableveyor	C	With Cableveyor
-------------	--------------------	----------	-----------------

PHRS Standard Robot Ball Screw Type

PHRB

PHRC

PHRT

PHM

PSR

PLR

PSB/PHB

Gearbox

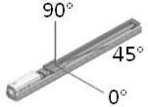

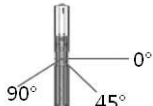
SBAC

사양 Specifications

공통사양 Common Specifications

Stroke Range	mm	100 ~ 500
Positioning Repeatability		±0.02 (Rolled, Ground C7)
Drive System	mm	Ball Screw Ø12
Guide		1 Way 12 – 1UU
Main Base & Slide		Aluminum Profile, Soft White Anodizing
Cover		Aluminum Cover

허용 이격 거리 Allowable Overhang Distance

Installation Types Load capacity		Setting Angle	Allowable Overhang Distance (mm)			
			3kg	5kg	7kg	10kg
Horizontal Use		0°	85	45	35	20
		45°	105	60	40	25
		90°	320	180	125	80
Wall Mount Use		0°	260	130	70	20
		45°	60	38	18	—
		90°	100	60	45	—
Vertical Use		0°	65	40	28	20
		45°	45	30	20	14
		90°	65	40	28	20
Estimated Condition	Stroke : 200mm Speed : Max Speed Acceleration : 0.2sec Life in traveled distance : 15000km or 15000Hr					

최고속도 및 부하하중 Max Speed & Payload

Ball Screw Specifications	Max Speed		AC Servo Motor 50W		AC Servo Motor 100W	
	Mark	mm/s	Horizontal	Vertical	Horizontal	Vertical
1205–C7	L	250	9kg	4kg	13kg	6kg
1210–C7	N	500	5kg	2kg	9kg	4kg
Estimated Condition	Stroke : 200mm Speed : Max Speed Acceleration : 0.2sec Servo Motor Rotate : 3000rpm					

이송거리별 최고속도 Max Speed by Stroke

Ball Screw		Stroke (mm) & Speed (mm/sec)										
DIA	Lead	100	200	300	400	500	600	700	800	900	1000	
Ø12	5	250										
	10	500										

이송거리별 무게 Weight by Stroke

PHRS040 Robot			Stroke (mm) & Weight (kg)									
Motor	DIA	Type	100	200	300	400	500	600	700	800	900	1000
100W	Ø12	S	4,4	4,9	5,4	5,9	6,4					
		P	4,3	4,8	5,3	5,8	6,3					

PHRS Standard Robot Ball Screw Type

PHRB

PHRC

PHRT

PHM

PSR

PLR

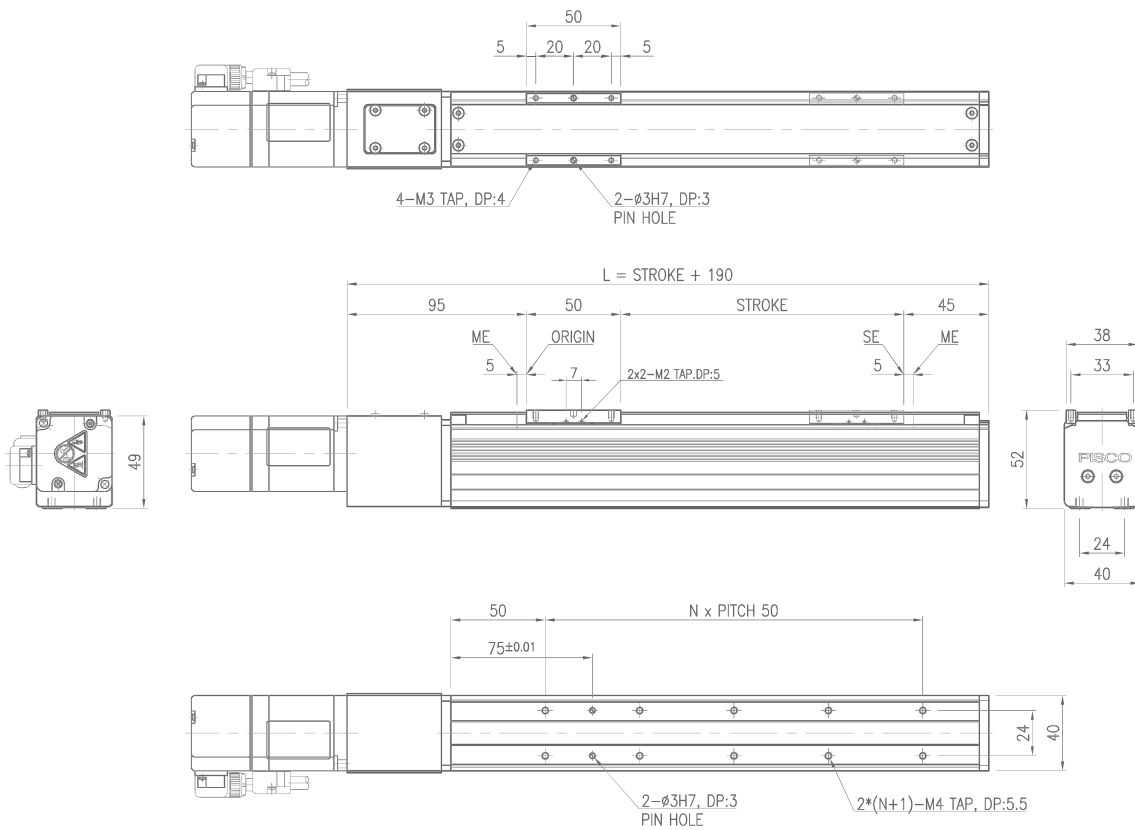
PSB/PHB

Gearbox

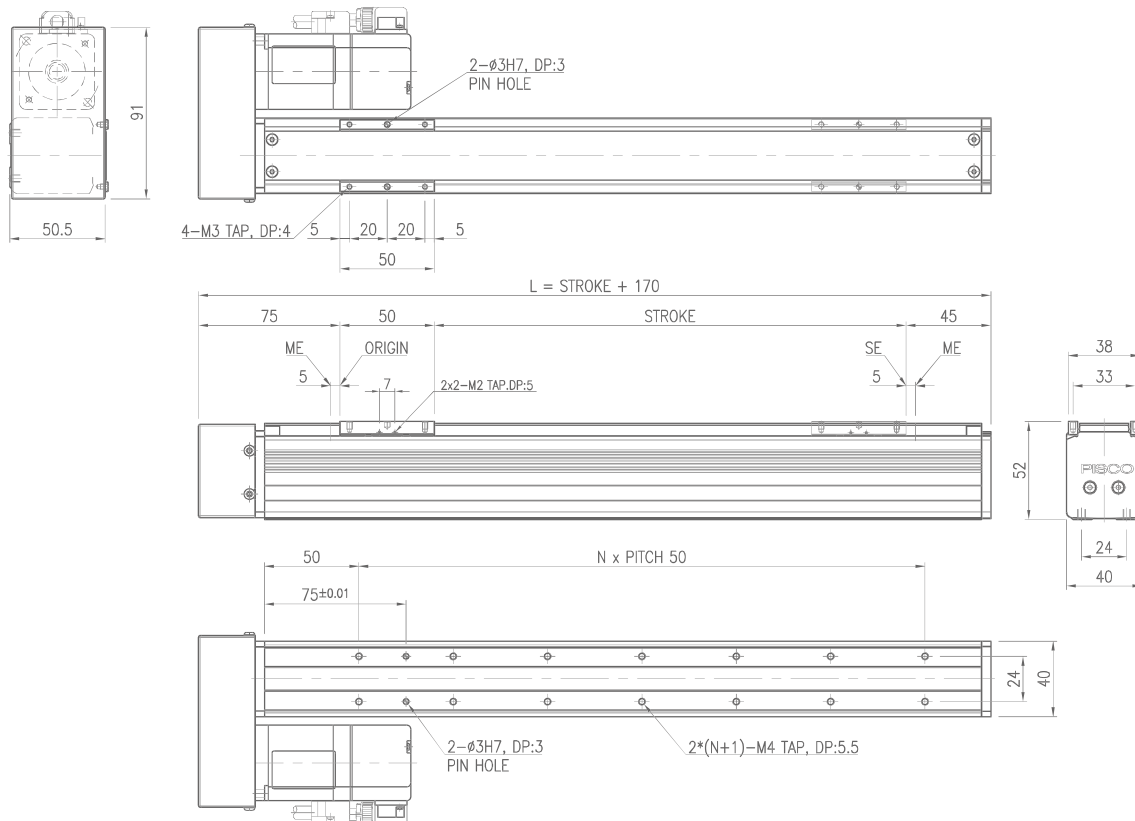
SBAC

치수도 Dimension (mm)

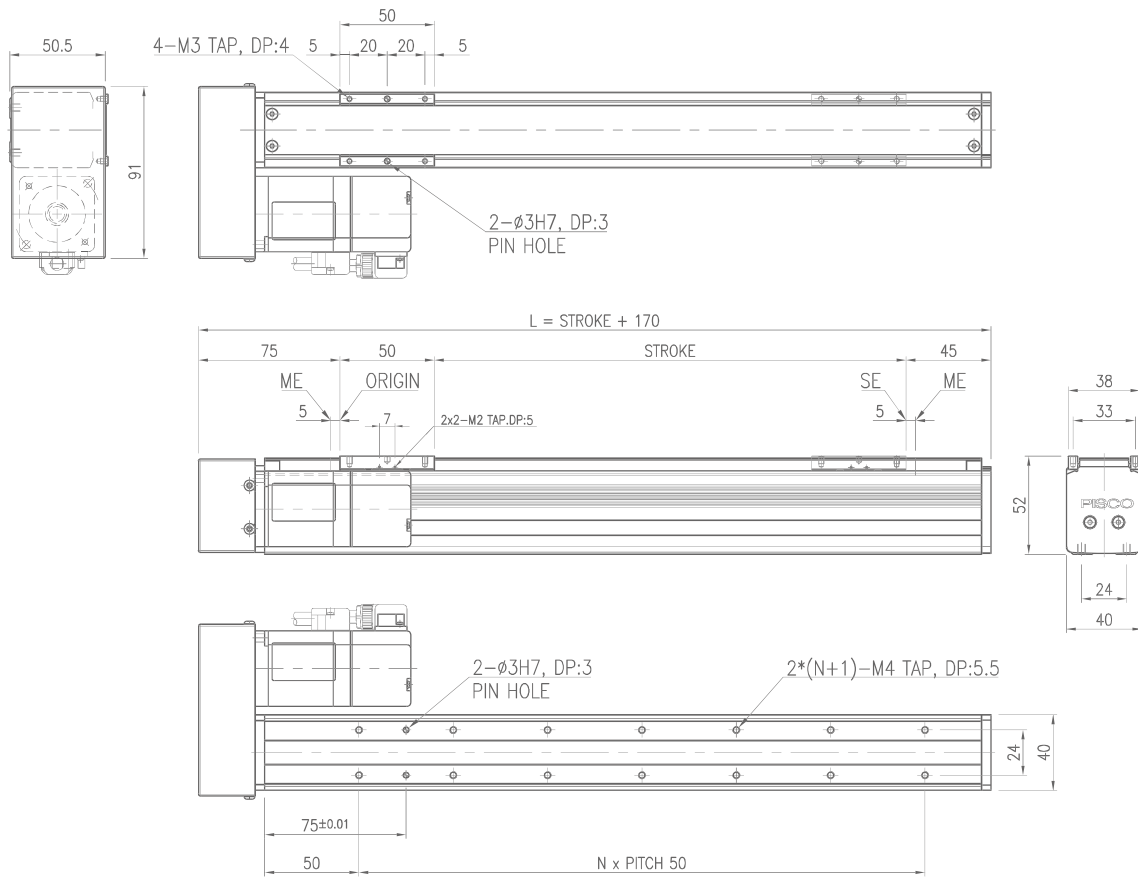
PHRS040-S-10



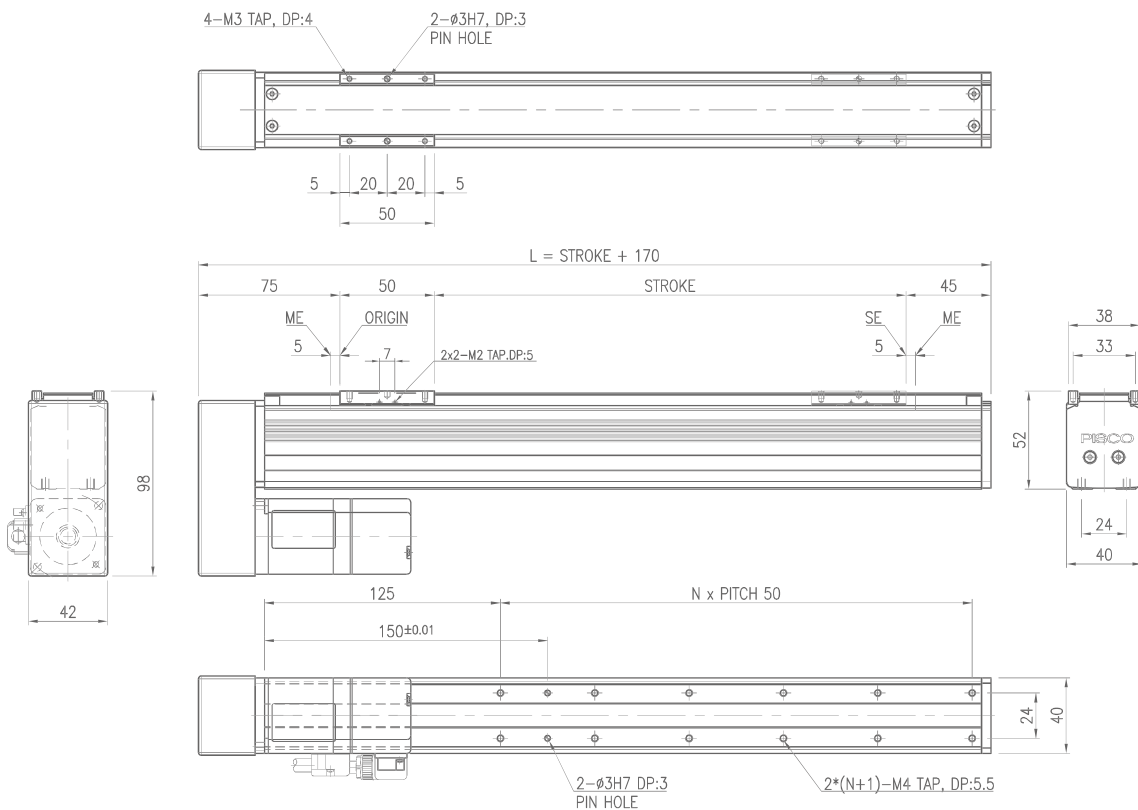
PHRS040-L-10



PHRS040-R-10



PHRS040-U-10



- PHRS Standard Robot Ball Screw Type
- PHRB
- PHRC
- PHRT
- PHM
- PSR
- PLR
- PSB/PHB
- Gearbox
- SBAC

PHRS Series

주문형식 Order Information



① 형식 Type

S Standard Robot, Ball Screw Type

② 본체 사이즈 Body Size

50 50mm

③ 형상 Shape

Normal Type



④ 이송거리 Stroke, In increment of 50mm

Ball Screw Spec	ST (mm)	200	400	500	600	800	1000
L : 1205-C7		■	■	■	■	■	■
N : 1210-C7		■	■	■	■	■	■
NEW H : 1220-C7		■	■	■	■	■	■

⑤ 모터용량 Motor capacity

5 50W **10** 100W

⑥ 브레이크 부착 Motor Brake

None Without Brake **B** With Brake

⑦ 속도 Speed, Motor 3000 rpm

L 250mm/s **N** 500mm/s **H** 1000mm/s

※ 볼나사의 회전수가 높아지면 축의 고유 진동수에 의한 공진 발생과 볼나사 축의 회전 원심력에 의한 내부 볼 순환 이상 및 리턴부 손상발생으로 위험속도를 계산하여 이송거리에 따른 최고 사용 속도를 정합니다.

If the ball screw speed is raised, the rotary generates a resonance and the circular rotation of the inner ball can cause damage to the inner ball. Therefore, calculate the risk velocity and determine the maximum speed according to the transfer distance.

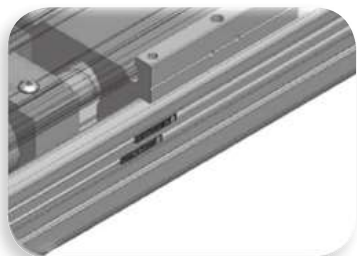
선택사양 Option



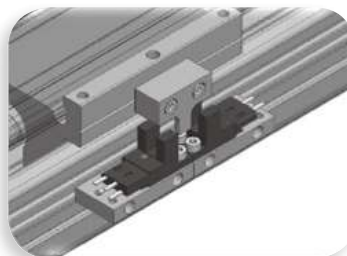
⑧ 로봇 색상 Robot Color Option

None	White (Standard)	B	Black Anodizing
-------------	------------------	----------	-----------------

⑨ 센서 Sensor



None	External DC-24V Proximity LED Sensor (Standard)
-------------	---



E1	SUNX (PM-Y65)
E2	OMRON (EE-SX674A)
E3	SUNX (PM-L25)

⑩ 표면처리 Surface Treatment

None	Without Surface Treatment	
R1	LM Rail-Raydent	S1 Screw Shaft-Raydent
R2	LM Rail+Block-Raydent	S2 Screw Shaft+Nut-Raydent
RS1	LM Rail & Screw Shaft-Raydent	
RS2	LM Rail+Block & Screw Shaft+Nut-Raydent	

⑪ 감속기 Reduction Gear

None	Without Reduction Gear (Standard)
G**	With Reduction Gear
**	Reduction Gear Ratio 03~10

⑫ 케이블베어 Cableveyor

None	Without Cableveyor	C	With Cableveyor
-------------	--------------------	----------	-----------------

PHRS Standard Robot Ball Screw Type

PHRB

PHRC

PHRT

PHM

PSR

PLR

PSB/PHB

Gearbox



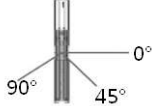
SBAC

사양 Specifications

공통사양 Common Specifications

Stroke Range	mm	100 ~ 500
Positioning Repeatability		±0.02 (Rolled, Ground C7)
Drive System	mm	Ball Screw Ø12
Guide		1 Way 24 – 1UU
Main Base & Slide		Aluminum Profile, Soft White Anodizing
Cover		Aluminum Cover

허용 이격 거리 Allowable Overhang Distance

Installation Types Load capacity		Setting Angle	Allowable Overhang Distance (mm)			
			3kg	5kg	7kg	10kg
Horizontal Use		0°	85	45	35	20
		45°	105	60	40	25
		90°	320	180	125	80
Wall Mount Use		0°	260	130	70	20
		45°	60	38	18	—
		90°	100	60	45	—
Vertical Use		0°	65	40	28	20
		45°	45	30	20	14
		90°	65	40	28	20
Estimated Condition	Stroke : 200mm Speed : Max Speed Acceleration : 0.2sec Life in traveled distance : 15000km or 15000Hr					

최고속도 및 부하하중 Max Speed & Payload

Ball Screw Specifications	Max Speed		AC Servo Motor 50W		AC Servo Motor 100W	
	Mark	mm/s	Horizontal	Vertical	Horizontal	Vertical
1205-C7	L	250	9kg	4kg	13kg	6kg
1210-C7	N	500	5kg	2kg	9kg	4kg
1220-C7	H	1000	2kg	1kg	4kg	2kg
Estimated Condition	Stroke : 200mm Speed : Max Speed Acceleration : 0.2sec Servo Motor Rotate : 3000rpm					

이송거리별 최고속도 Max Speed by Stroke

Ball Screw		Stroke (mm) & Speed (mm/sec)									
DIA	Lead	100	200	300	400	500	600	700	800	900	1000
Ø12	5			250							
	10			500							
	20			1000							

이송거리별 무게 Weight by Stroke

PHRS050 Robot			Stroke (mm) & Weight (kg)									
Motor	DIA	Type	100	200	300	400	500	600	700	800	900	1000
100W	Ø12	S	4.4	4.9	5.4	5.9	6.4					
		P	4.3	4.8	5.3	5.8	6.3					

PHRS Standard Robot Ball Screw Type

PHRB

PHRC

PHRT

PHM

PSR

PLR

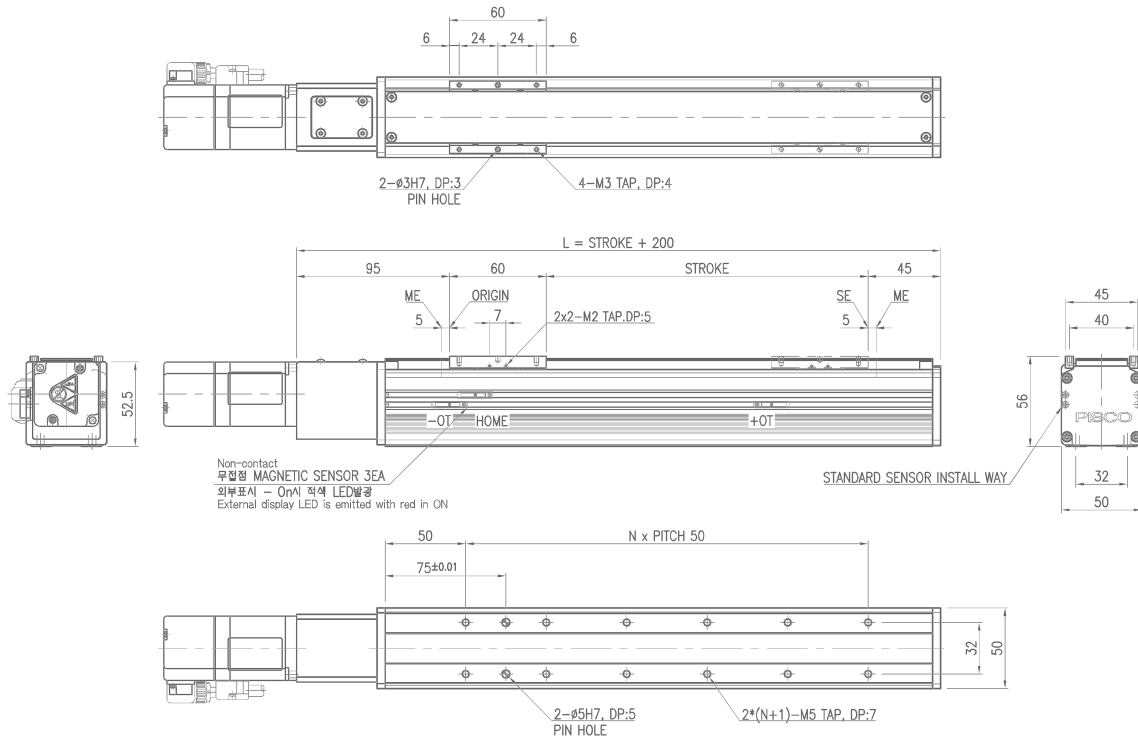
PSB/PHB

Gearbox

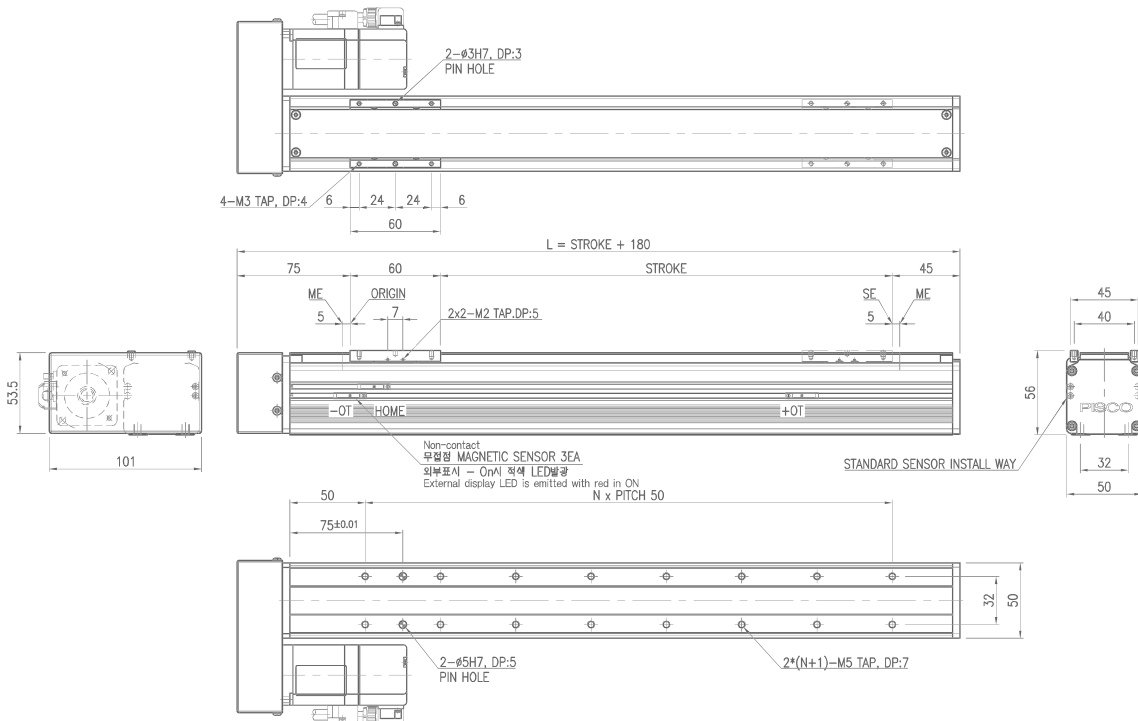
SBAC

치수도 Dimension (mm)

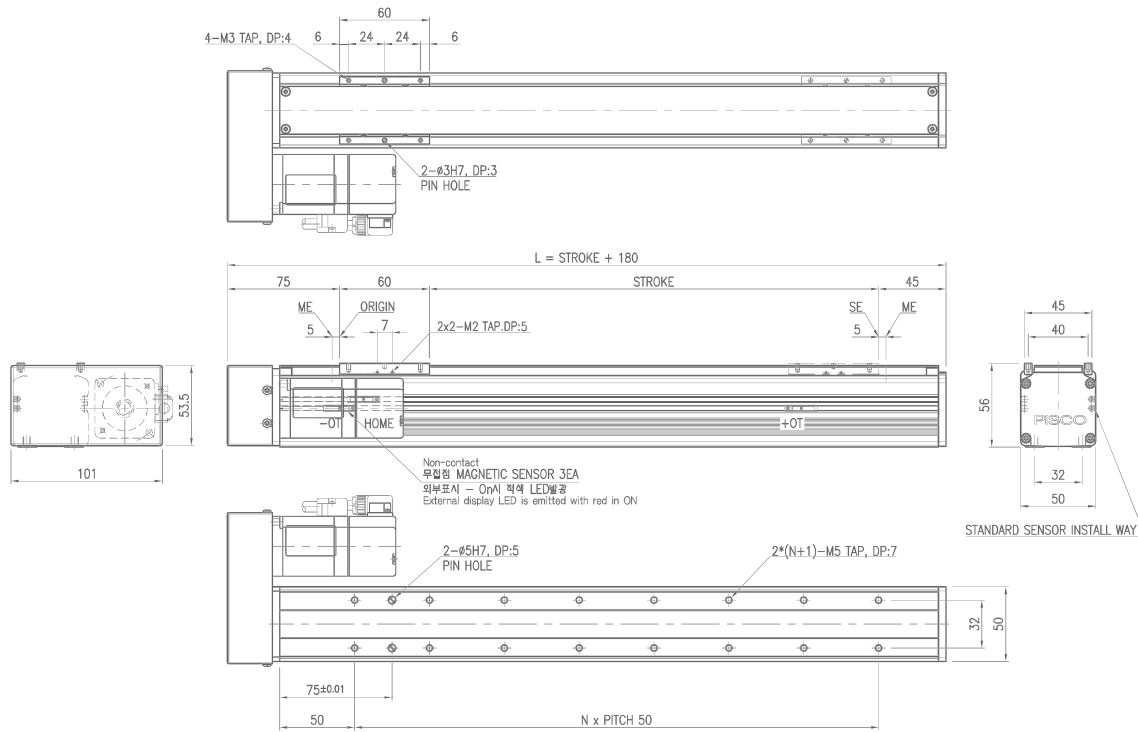
PHRS050-S-10



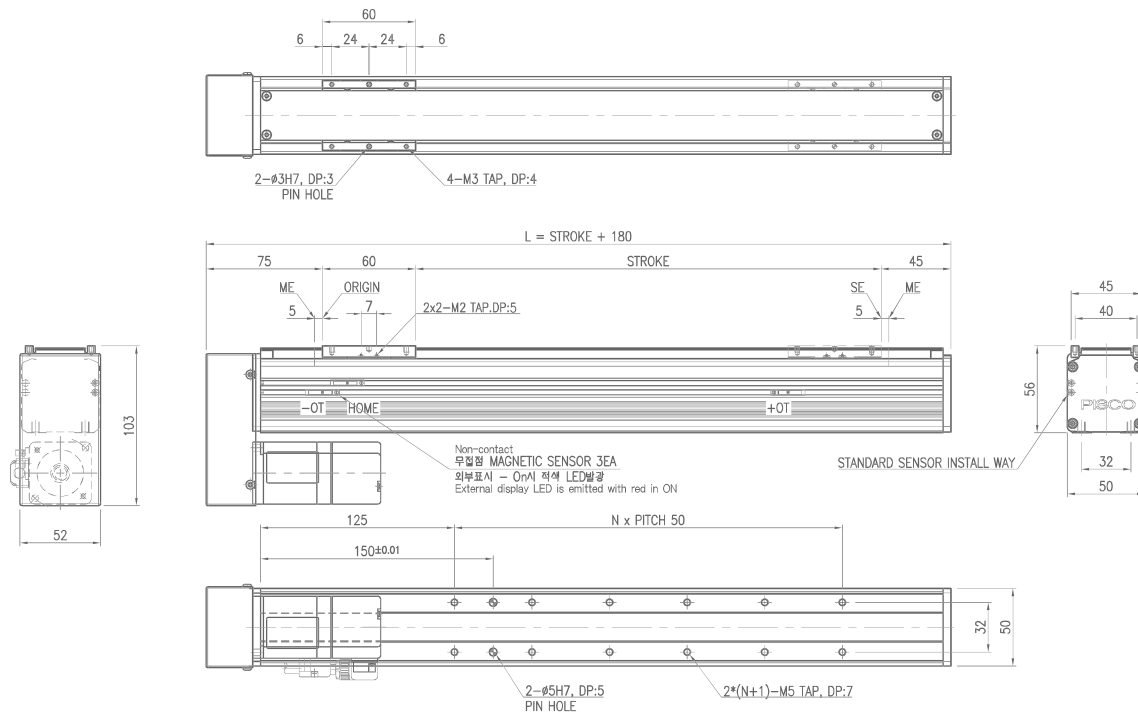
PHRS050-L-10



PHRS050-R-10



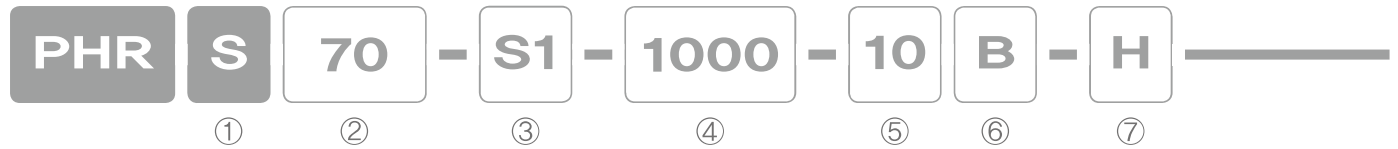
PHRS050-U-10



- PHRS Standard Robot Ball Screw Type
- PHRB
- PHRC
- PHRT
- PHM
- PSR
- PLR
- PSB/PHB
- Gearbox
- SBAC

PHRS Series

주문형식 Order Information



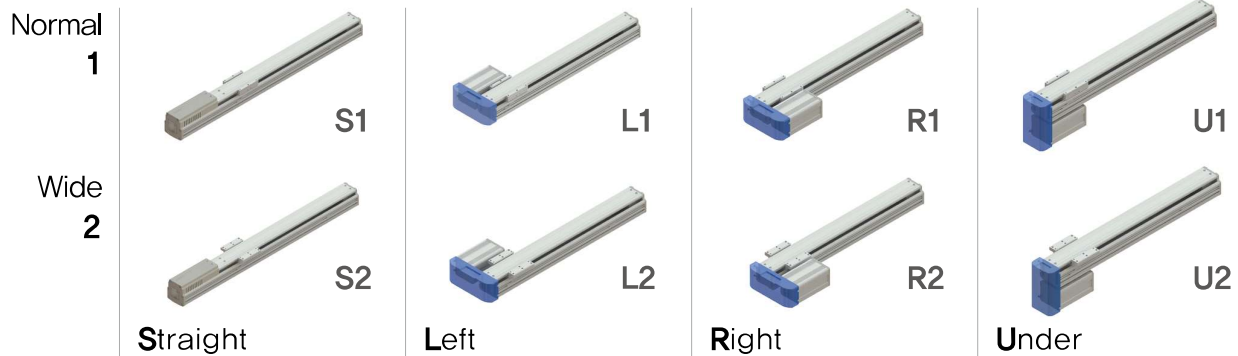
① 형식 Type

S Standard Robot, Ball Screw Type

② 본체 사이즈 Body Size

70 70mm

③ 형상 Shape



④ 이송거리 Stroke, In increment of 50mm

Ball Screw Spec	ST (mm)	1000	1500	2000	2500
L : 1505-C7		████████████████████			
N : 1510-C7		████████████████████			
H : 1520-C7		████████████████████	████████████████████		
NEW P : 1530-C7		████████████████████	████████████████████		

⑤ 모터용량 Motor capacity

10 100W **NEW** **20** 200W

※ 200W일 경우 형상이 모터 돌출 타입으로 대응됩니다.
In case of 200W, the shape can be responded with protruded type motor.

⑥ 브레이크 부착 Motor Brake

None Without Brake **B** With Brake

⑦ 속도 Speed, Motor 3000 rpm

L 250mm/s **N** 500mm/s **H** 1000mm/s
P 1500mm/s

※ 볼나사의 회전수가 높아지면 축의 고유 진동수에 의한 공진 발생과 볼나사 축의 회전 원심력에 의한 내부 볼 순환 이상 및 리턴부 손상발생으로 위험속도를 계산하여 이송거리에 따른 최고 사용 속도를 정합니다.
If the ball screw speed is raised, the rotary generates a resonance and the circular rotation of the inner ball can cause damage to the inner ball. Therefore, calculate the risk velocity and determine the maximum speed according to the transfer distance.

선택사양 Option



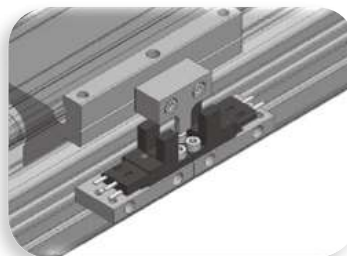
⑧ 로봇 색상 Robot Color Option

None	White (Standard)	B	Black Anodizing
-------------	------------------	----------	-----------------

⑨ 센서 Sensor



None	External DC-24V Proximity LED Sensor (Standard)
-------------	---



E1	SUNX (PM-Y65)
E2	OMRON (EE-SX674A)
E3	SUNX (PM-L25)

⑩ 표면처리 Surface Treatment

None	Without Surface Treatment	
R1	LM Rail-Raydent	S1 Screw Shaft-Raydent
R2	LM Rail+Block-Raydent	S2 Screw Shaft+Nut-Raydent
RS1	LM Rail & Screw Shaft-Raydent	
RS2	LM Rail+Block & Screw Shaft+Nut-Raydent	

⑪ 감속기 Reduction Gear

None	Without Reduction Gear (Standard)
G**	With Reduction Gear
**	Reduction Gear Ratio 03~10

⑫ 케이블베어 Cableveyor

None	Without Cableveyor	C	With Cableveyor
-------------	--------------------	----------	-----------------

PHRS Standard Robot Ball Screw Type

PHRB

PHRC

PHRT

PHM

PSR

PLR

PSB/PHB

Gearbox

SBAC

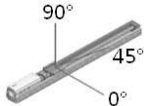

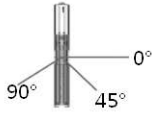
사양 Specifications

공통사양 Common Specifications

Stroke Range	mm	100 ~ 1800
Positioning Repeatability		±0.02 (Ground C7), ±0.01 (Ground C5)
Drive System	mm	Ball Screw Ø15
Guide		1 Way 24 – 2UU
Main Base & Slide		Aluminum Profile, Soft White Anodizing
Cover		Aluminum Profile, Soft White Anodizing

※ Cover에 Transparent PC Extrude Profile의 사양은 특주로 대응됩니다.
The specifications of the transparent PC extruded profile on the cover are special order.

허용 이격 거리 Allowable Overhang Distance

Installation Types Load capacity		Setting Angle	Allowable Overhang Distance (mm)			
			6kg	9kg	12kg	15kg
Horizontal Use		0°	110	70	50	38
		45°	105	67	47	35
		90°	810	520	380	290
Wall Mount Use		0°	340	95	—	—
		45°	89	56	40	30
		90°	43	7	—	—
Vertical Use		0°	107	63	41	28
		45°	55	32	21	14
		90°	118	69	45	30
Estimated Condition	Stroke : 1000mm Speed : 1000mm/sec Acceleration : 0,2sec Life in traveled distance : 15000km or 15000Hr					

최고속도 및 부하하중 Max Speed & Payload

Ball Screw Specifications	Max Speed		AC Servo Motor 100W	
	Mark	mm/s	Horizontal	Vertical
1505-C7	L	250	15kg	15kg
1510-C7	N	500	15kg	10kg
1520-C7	H	1000	8kg	4kg
1530-C7	P	1500	4kg	2kg
Estimated Condition	Stroke : 500mm Speed : Max Speed Acceleration : 0,2sec Servo Motor Rotate : 3000rpm			

이송거리별 최고속도 Max Speed by Stroke

Ball Screw		Stroke (mm) & Speed (mm/sec)																								
DIA	Lead	100	200	300	400	500	600	700	800	900	1000	1100	1200	1300	1400	1500	1600	1700	1800	1900	2000	2100	2200	2300	2400	2500
Ø15	5			250				211	169	138	115	98	84	73												
	10			500				421	337	276	231	195	168	145												
	20			1000				842	675	553	461	390	335	290	254	224	200	179	161							
	30			1500				1263	1011	828	693	585	504	435	381	336	300	269	242							

※ Stroke 1000mm 이상 Tension type 적용.

이송거리별 무게 Weight by Stroke

PHRS070 Robot			Stroke (mm) & Weight (kg)																								
Motor	DIA	Type	100	200	300	400	500	600	700	800	900	1000	1100	1200	1300	1400	1500	1600	1700	1800	1900	2000	2100	2200	2300	2400	2500
100W	Ø15	S	4.4	4.9	5.4	5.9	6.4	6.9	7.4	7.9	8.5	9.0	9.5	10.0	10.5	11.0	11.5	12.0	12.5	13.0							
		P	4.3	4.8	5.3	5.8	6.3	6.8	7.3	7.8	8.3	8.9	9.4	9.9	10.4	10.9	11.4	11.9	12.4	12.9							
200W	Ø15	S	5.1	5.6	6.1	6.6	7.1	7.6	8.1	8.6	9.2	9.7	10.2	10.7	11.2	11.7	12.2	12.7	13.2	13.7							
		P	4.8	5.3	5.8	6.3	6.8	7.3	7.8	8.3	8.8	9.4	9.9	10.4	10.9	11.4	11.9	12.4	12.9	13.4							

PHRS Standard Robot Ball Screw Type

PHRB

PHRC

PHRT

PHM

PSR

PLR

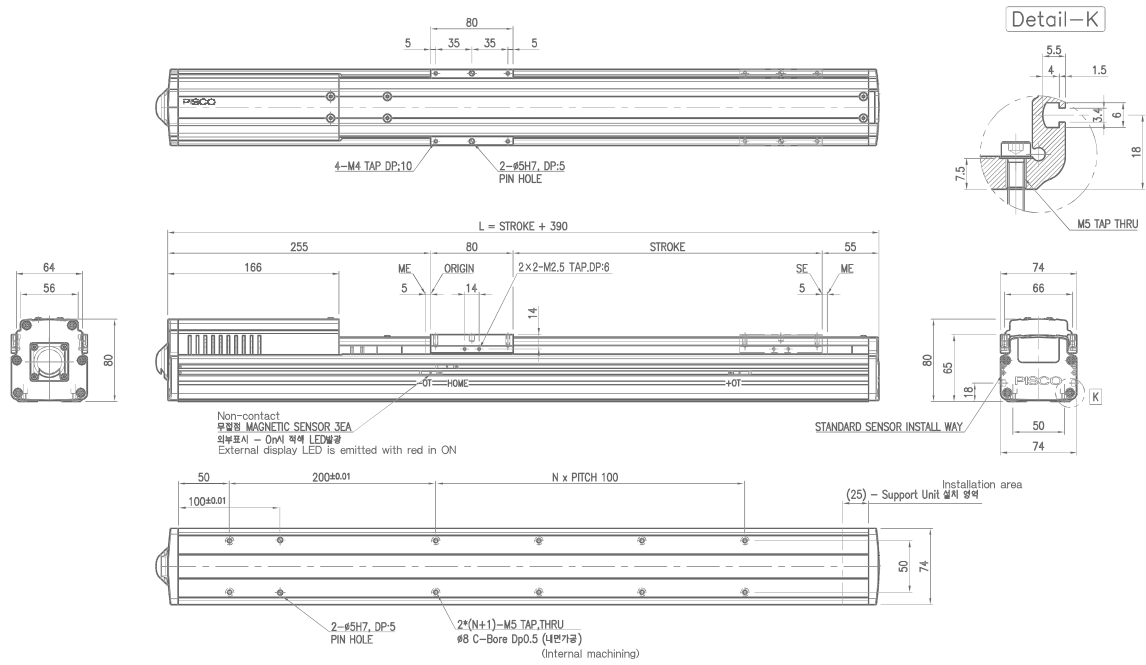
PSB/PHB

Gearbox

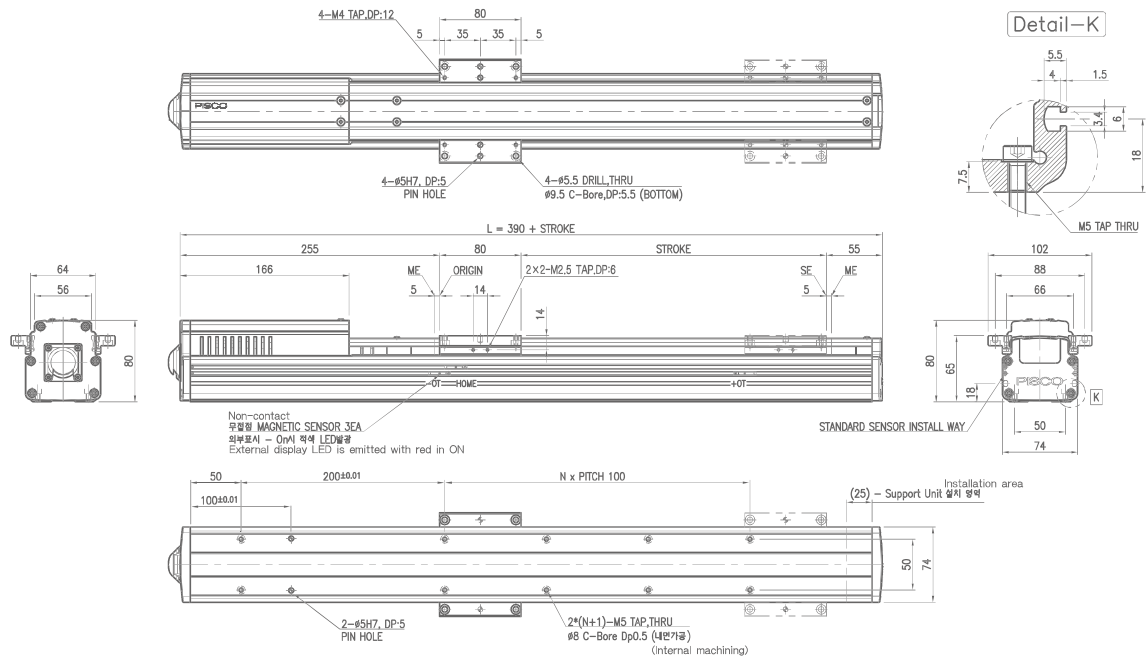
SBAC

치수도 Dimension (mm)

PHRS070-S1-10

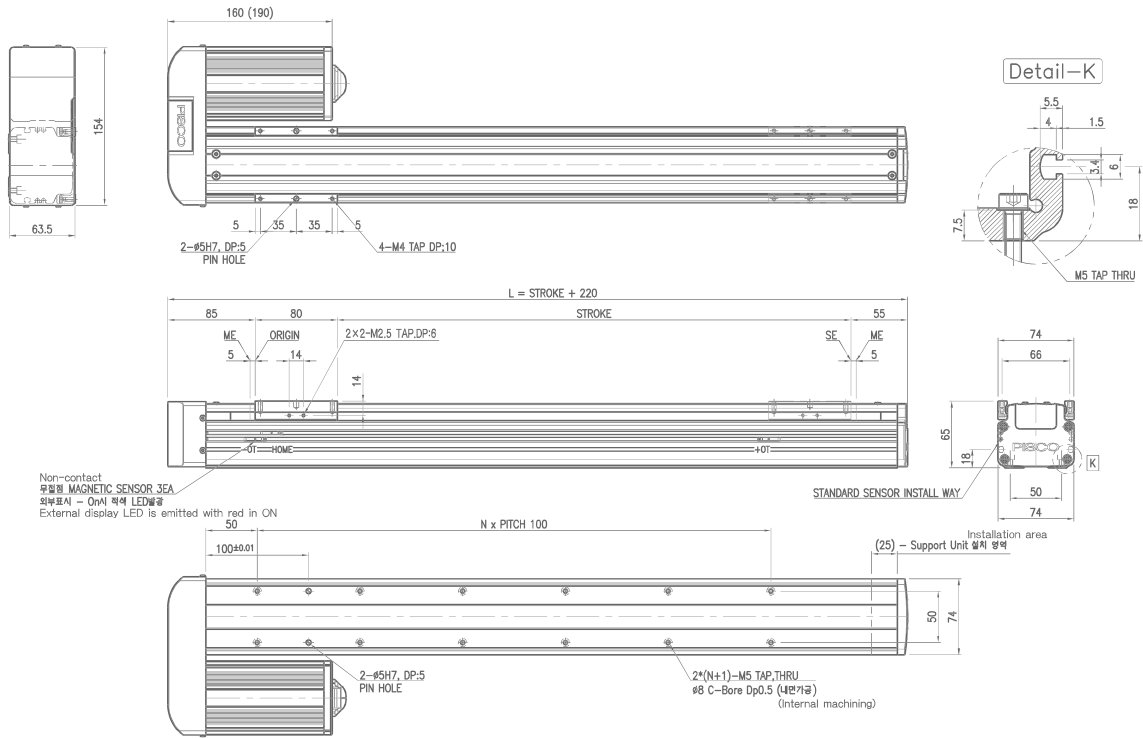


PHRS070-S2-10



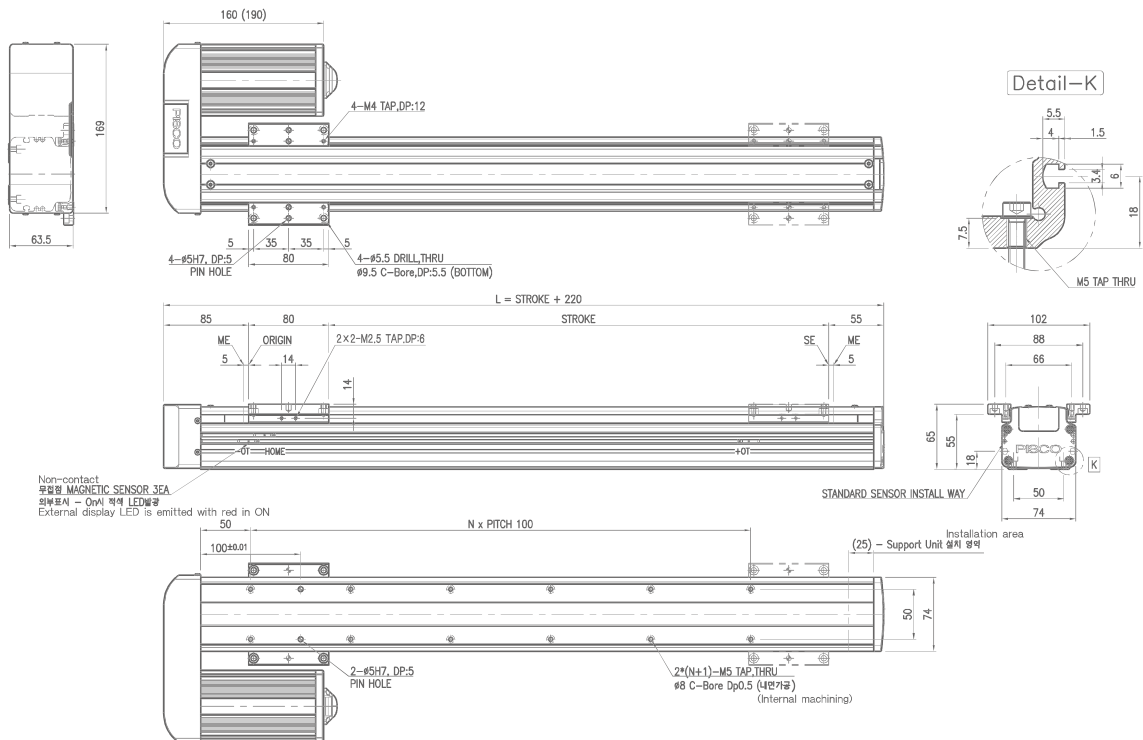
PHRS070-L1-10

※ () Brake Motor Dimension



PHRS070-L2-10

※ () Brake Motor Dimension

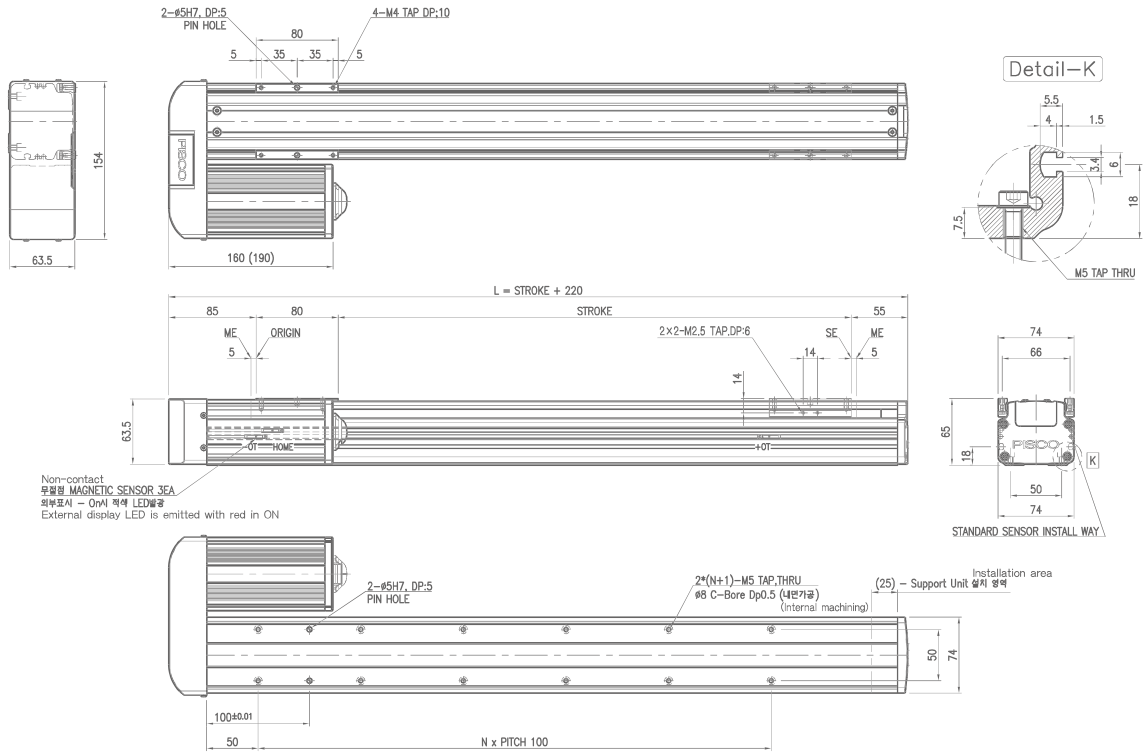


- PHRS Standard Robot Ball Screw Type
- PHRB
- PHRC
- PHRT
- PHM
- PSR
- PLR
- PSB/PHB
- Gearbox
- SBAC

치수도 Dimension (mm)

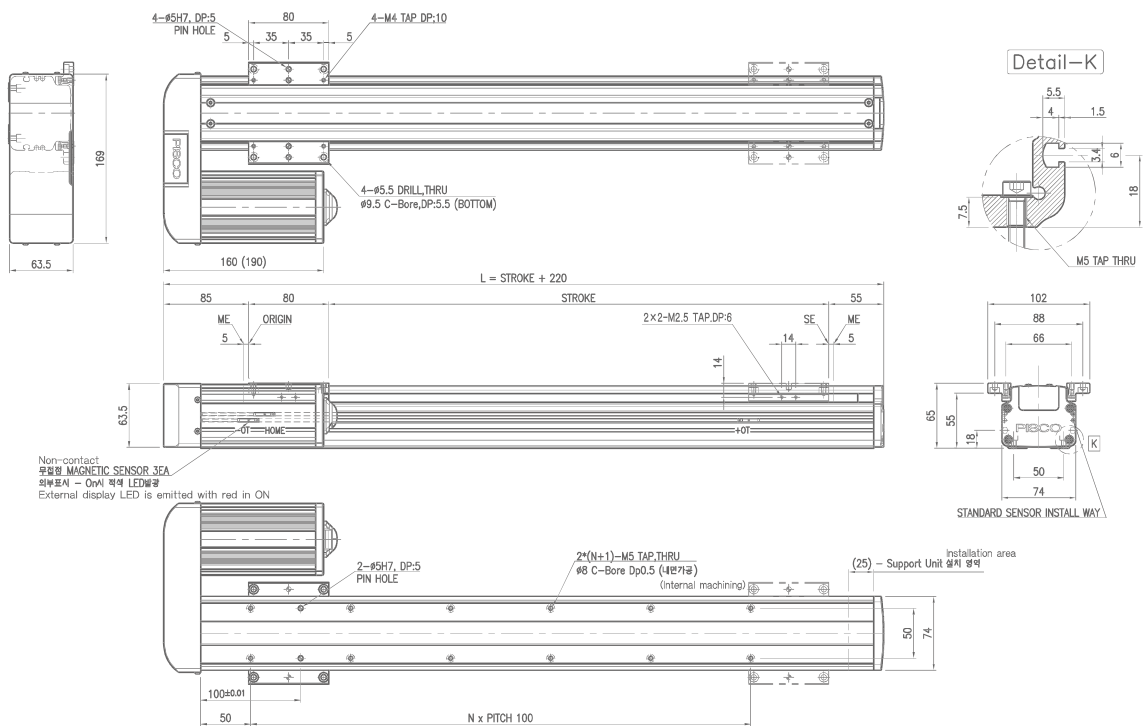
PHRS070-R1-10

※ () Brake Motor Dimension



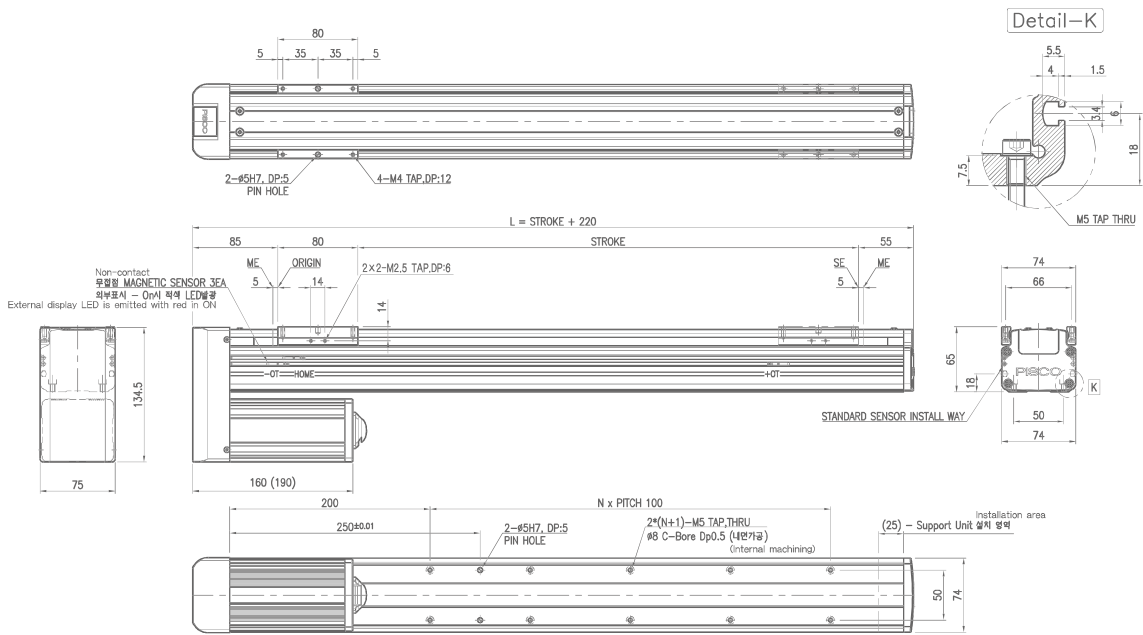
PHRS070-R2-10

※ () Brake Motor Dimension



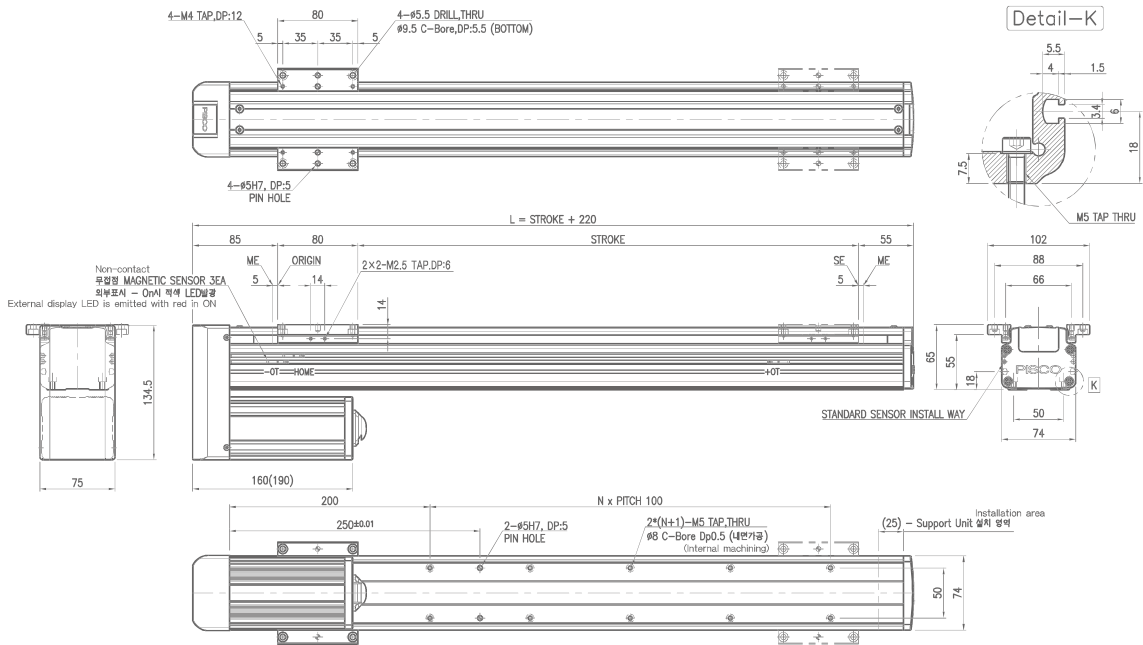
PHRS070-U1-10

※ () Brake Motor Dimension



PHRS070-U2-10

※ () Brake Motor Dimension



- PHRS Standard Robot Ball Screw Type
- PHRB
- PHRC
- PHRT
- PHM
- PSR
- PLR
- PSB/PHB
- Gearbox
- SBAC

PHRS Series

주문형식 Order Information



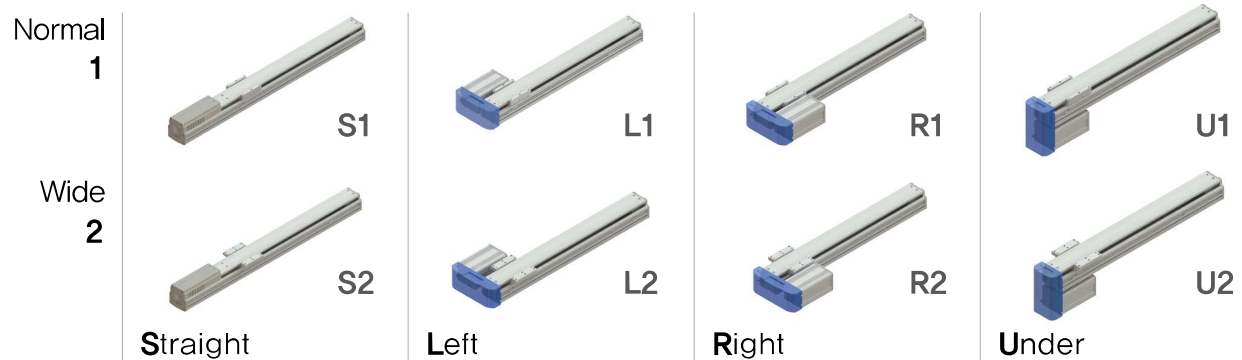
① 형식 Type

S Standard Robot, Ball Screw Type

② 본체 사이즈 Body Size

90 90mm

③ 형상 Shape



④ 이송거리 Stroke, In increment of 50mm

Ball Screw Spec	ST (mm)	1000	1500	2000	2500
L : 1505-C7		████████████████████			
N : 1510-C7		████████████████████			
H : 1520-C7		████████████████████	████████████████████		
P : 1530-C7		████████████████████	████████████████████		

⑤ 모터용량 Motor capacity

10 100W **20** 200W **40** 400W

⑥ 브레이크 부착 Motor Brake

None Without Brake **B** With Brake

⑦ 속도 Speed, Motor 3000 rpm

L 250mm/s **N** 500mm/s **H** 1000mm/s
P 1500mm/s **S(*2)** 2000mm/s **U(*2)** 3000mm/s

※1 볼나사의 회전수가 높아지면 축의 고유 진동수에 의한 공진 발생과 볼나사 축의 회전 원심력에 의한 내부 볼 순환 이상 및 리턴부 손상발생으로 위험속도를 계산하여 이송거리에 따른 최고 사용 속도를 정합니다.

If the ball screw speed is raised, the rotary generates a resonance and the circular rotation of the inner ball can cause damage to the inner ball. Therefore, calculate the risk velocity and determine the maximum speed according to the transfer distance.

※2 상기 사양은 특수사양으로 피스코코리아 모션사업부에 문의하여 주십시오.

Please contact motion business team of PISCO KOREA in case of special ordered specifications.

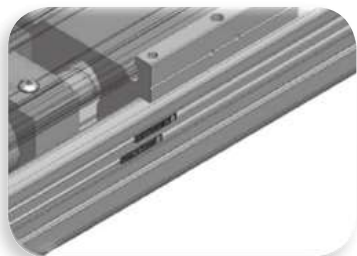
선택사양 Option



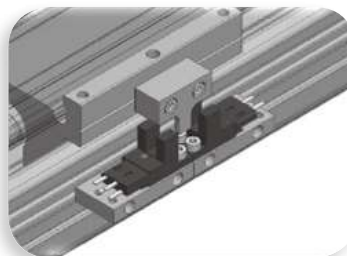
⑧ 로봇 색상 Robot Color Option

None	White (Standard)	B	Black Anodizing
-------------	------------------	----------	-----------------

⑨ 센서 Sensor



None	External DC-24V Proximity LED Sensor (Standard)
-------------	---



E1	SUNX (PM-Y65)
E2	OMRON (EE-SX674A)
E3	SUNX (PM-L25)

⑩ 표면처리 Surface Treatment

None	Without Surface Treatment	
R1	LM Rail-Raydent	S1 Screw Shaft-Raydent
R2	LM Rail+Block-Raydent	S2 Screw Shaft+Nut-Raydent
RS1	LM Rail & Screw Shaft-Raydent	
RS2	LM Rail+Block & Screw Shaft+Nut-Raydent	

⑪ 감속기 Reduction Gear

None	Without Reduction Gear (Standard)
G**	With Reduction Gear
**	Reduction Gear Ratio 03~10

⑫ 케이블베어 Cableveyor

None	Without Cableveyor	C	With Cableveyor
-------------	--------------------	----------	-----------------

PHRS Standard Robot Ball Screw Type

PHRB

PHRC

PHRT

PHM

PSR

PLR

PSB/PHB

Gearbox

SBAC

사양 Specifications

공통사양 Common Specifications

Stroke Range	mm	100 ~ 1800
Positioning Repeatability		±0.02 (Ground C7), ±0.01 (Ground C5)
Drive System	mm	Ball Screw Ø15
Guide		1 Way 42 – 2UU
Main Base & Slide		Aluminum Profile, Soft White Anodizing
Cover		Aluminum Profile, Soft White Anodizing

※ Cover에 Transparent PC Extrude Profile의 사양은 특주로 대응됩니다.
The specifications of the transparent PC extruded profile on the cover are special order.

허용 이격 거리 Allowable Overhang Distance

Installation Types Load capacity		Setting Angle	Allowable Overhang Distance (mm)						
			5kg	10kg	20kg	30kg			
Horizontal Use		0°	395	190	85	50			
		45°	353	162	74	42			
		90°	1500	760	350	210			
Wall Mount Use		0°	1100	490	110	—			
		45°	282	137	60	34			
		90°	285	100	15	—			
Vertical Use		0°	280	125	50	—			
		45°	141	60	22	9			
		90°	300	140	57	27			
Estimated Condition	Stroke : 1000mm Speed : 1000mm/sec Acceleration : 0.2sec Life in traveled distance : 15000km or 15000Hr								

최고속도 및 부하하중 Max Speed & Payload

Ball Screw Specifications	Max Speed		AC Servo Motor 100W		AC Servo Motor 200W		AC Servo Motor 400W	
	Mark	mm/s	Horizontal	Vertical	Horizontal	Vertical	Horizontal	Vertical
1505-C7	L	250	30kg	22kg	30kg	30kg	30kg	30kg
1510-C7	N	500	30kg	10kg	30kg	22kg	30kg	30kg
1520-C7	H	1000	8kg	4kg	30kg	10kg	30kg	22kg
1530-C7	P	1500	2kg	2kg	12kg	6kg	24kg	14kg
Estimated Condition	Stroke : 500mm Speed : Max Speed Acceleration : 0.2sec Servo Motor Rotate : 3000rpm							

이송거리별 최고속도 Max Speed by Stroke

Ball Screw		Stroke (mm) & Speed (mm/sec)																								
DIA	Lead	100	200	300	400	500	600	700	800	900	1000	1100	1200	1300	1400	1500	1600	1700	1800	1900	2000	2100	2200	2300	2400	2500
Ø15	5			250				211	169	138	116	98	84	73												
	10			500				422	338	277	231	196	168	146												
	20			1000				844	676	554	462	391	335	291	255	225	200	179	161							
	30			1500				1266	1014	831	693	587	503	437	382	337	300	269	242							

이송거리별 무게 Weight by Stroke

PHRS090 Robot			Stroke (mm) & Weight (kg)																								
Motor	DIA	Type	100	200	300	400	500	600	700	800	900	1000	1100	1200	1300	1400	1500	1600	1700	1800	1900	2000	2100	2200	2300	2400	2500
100W	Ø15	S	6,0	6,7	7,5	8,2	8,9	9,6	10,4	11,1	11,8	12,6	13,3	14,0	14,8	15,5	16,2	16,9	17,7	18,4							
		P	6,4	7,3	8,3	9,3	10,3	11,2	12,2	13,2	14,2	15,1	16,1	17,1	18,1	19,0	20,0	21,0	22,0	22,9							
200W	Ø15	S	6,6	7,4	8,1	8,8	9,5	10,3	11,0	11,7	12,5	13,2	13,9	14,7	15,4	16,1	16,8	17,6	18,3	19,0							
		P	6,8	7,7	8,7	9,7	10,7	11,7	12,6	13,6	14,6	15,6	16,6	17,5	18,5	19,5	20,5	21,5	22,4	23,4							
400W	Ø15	S	7,2	7,9	8,7	9,4	10,1	10,8	11,6	12,3	13,0	13,8	14,5	15,2	16,0	16,7	17,4	18,1	18,9	19,6							
		P	7,3	8,3	9,3	10,3	11,2	12,2	13,2	14,2	15,1	16,1	17,1	18,1	19,0	20,0	21,0	22,0	22,9	23,9							

PHRS Standard Robot Ball Screw Type

PHRB

PHRC

PHRT

PHM

PSR

PLR

PSB/PHB

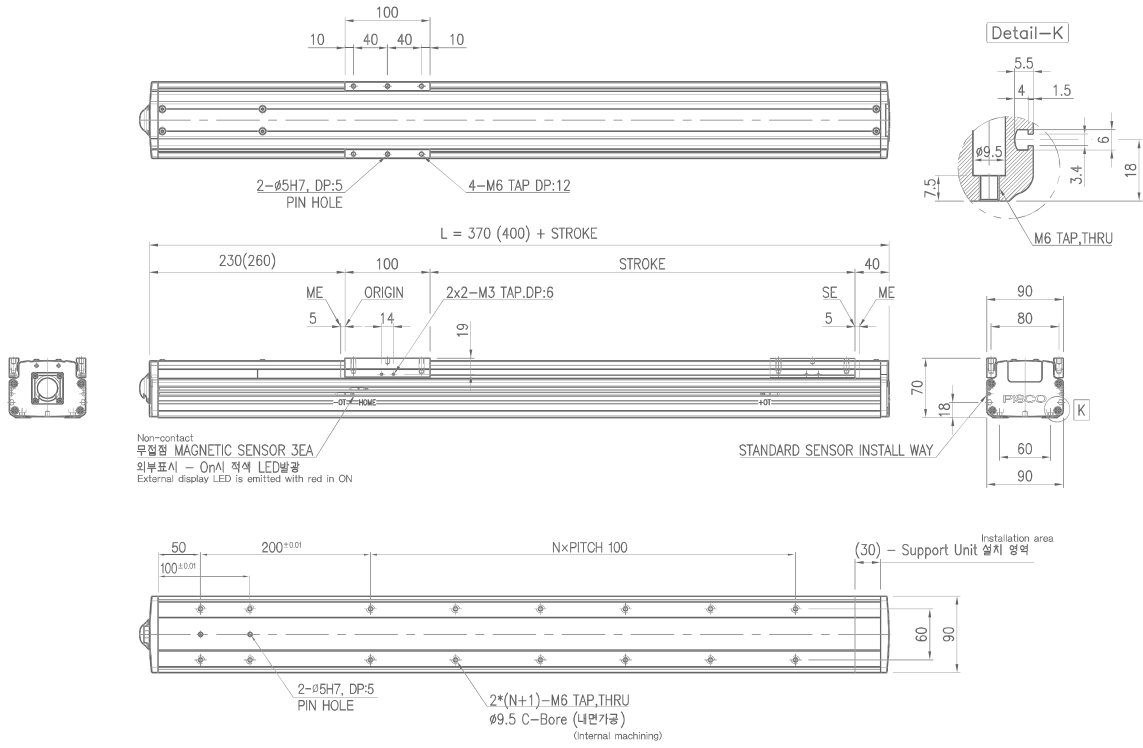
Gearbox

SBAC

치수도 Dimension (mm)

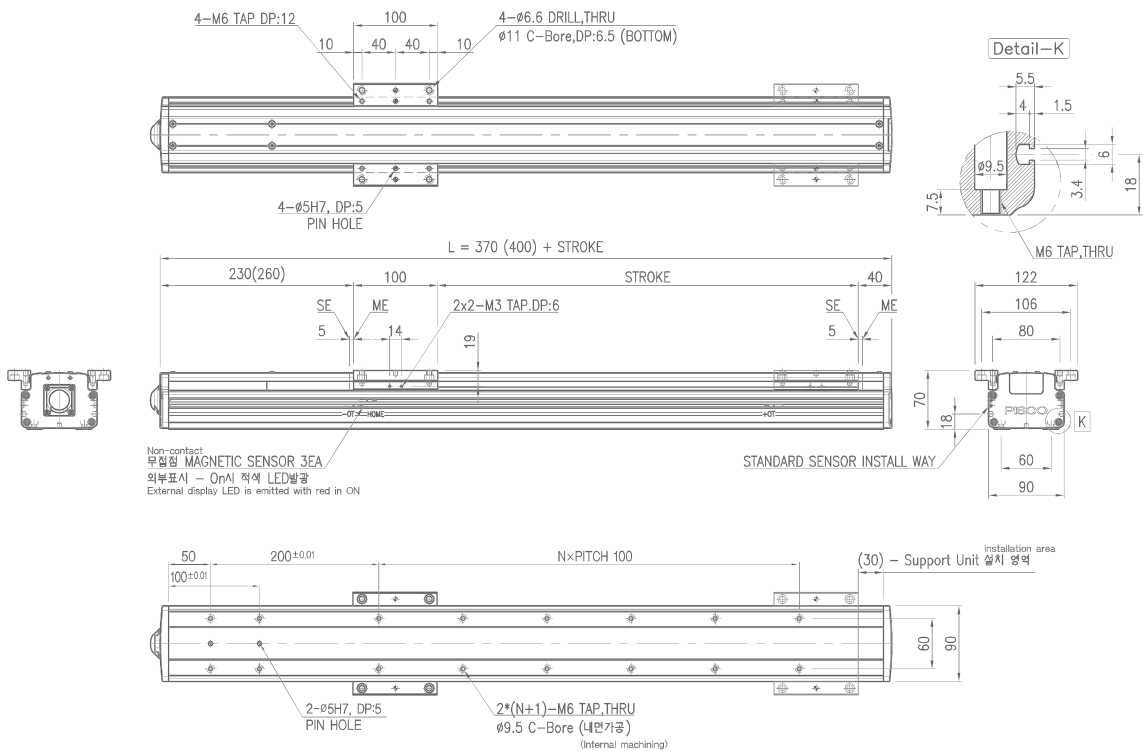
PHRS090-S1-10

※ () Brake Motor Dimension

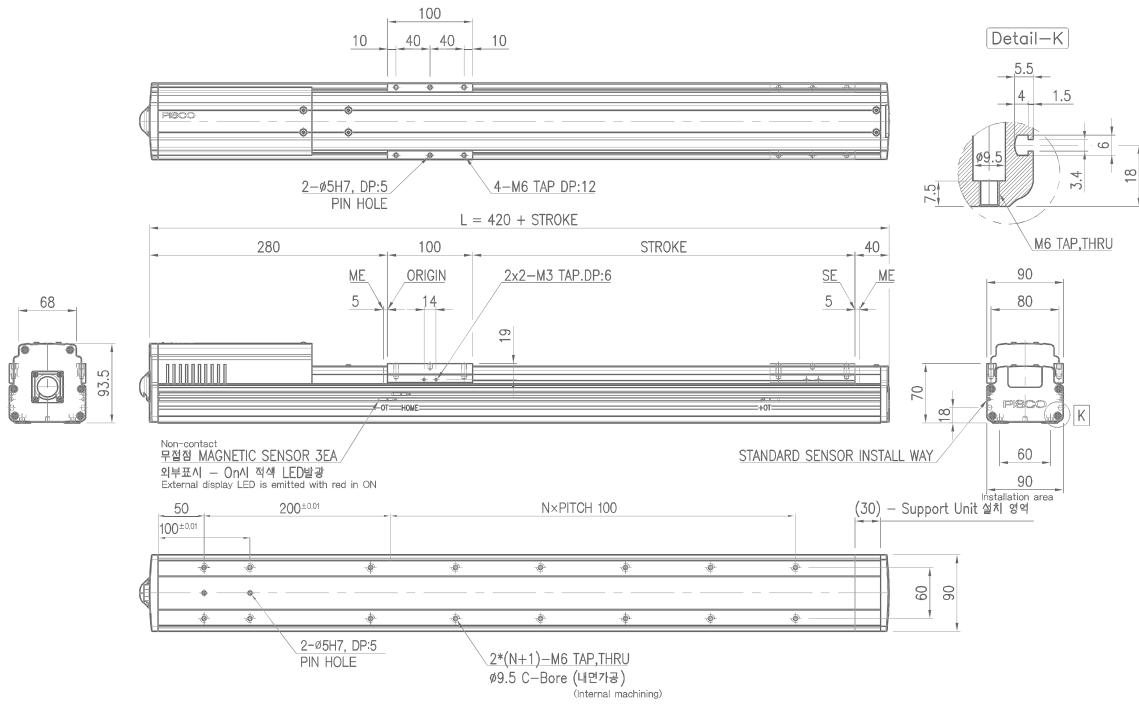


PHRS090-S2-10

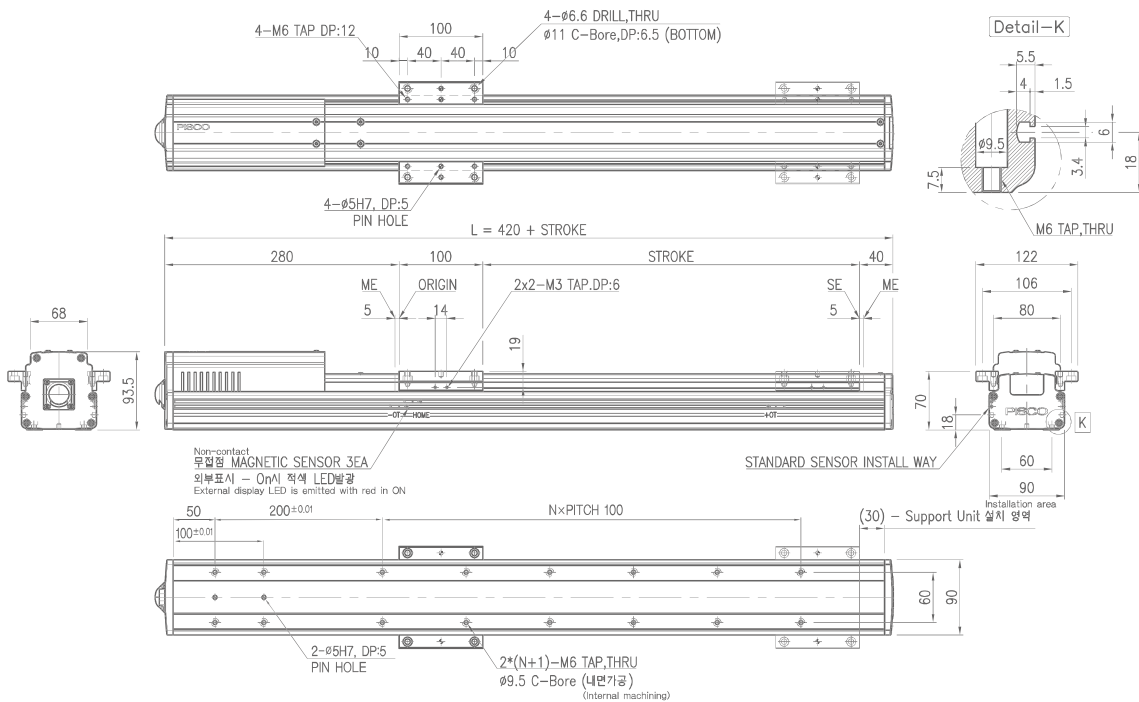
※ () Brake Motor Dimension



PHRS090-S1-20(40)



PHRS090-S2-20(40)



PHRS Standard Robot Ball Screw Type

PHRB

PHRC

PHRT

PHM

PSR

PLR

PSB/PHB

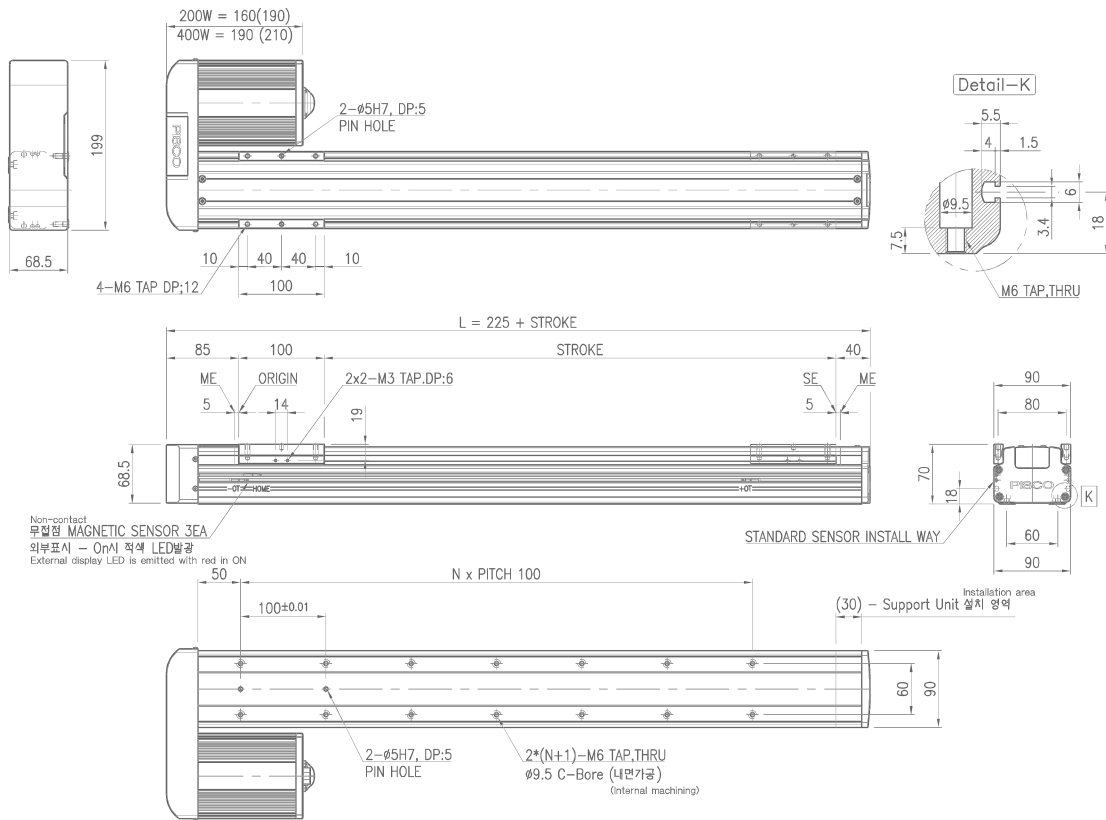
Gearbox

SBAC

치수도 Dimension (mm)

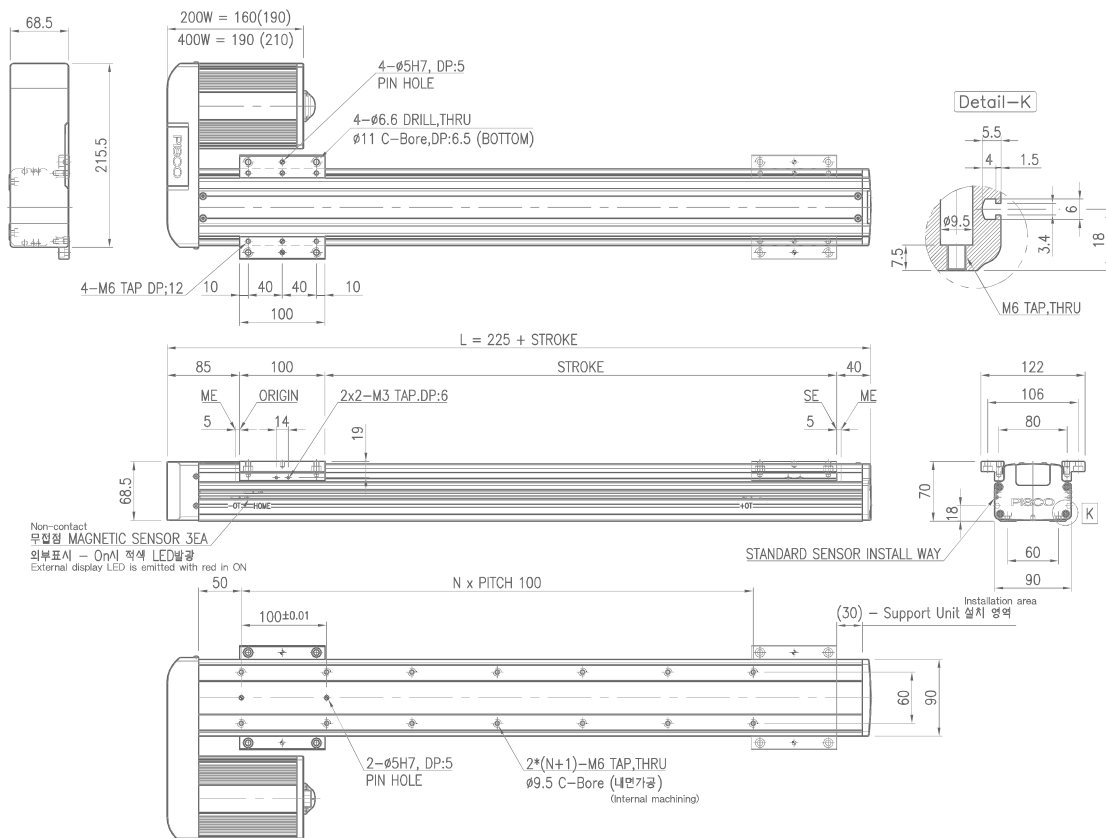
PHRS090-L1-20(40)

※ () Brake Motor Dimension



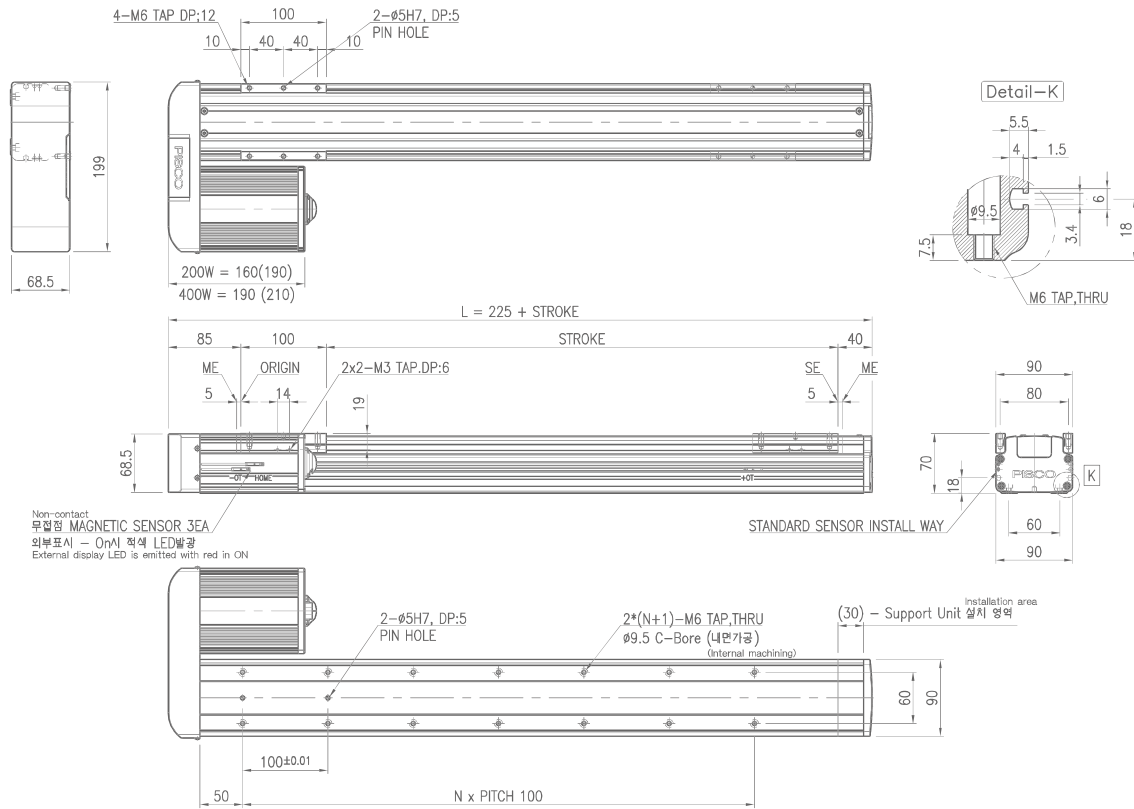
PHRS090-L2-20(40)

※ () Brake Motor Dimension



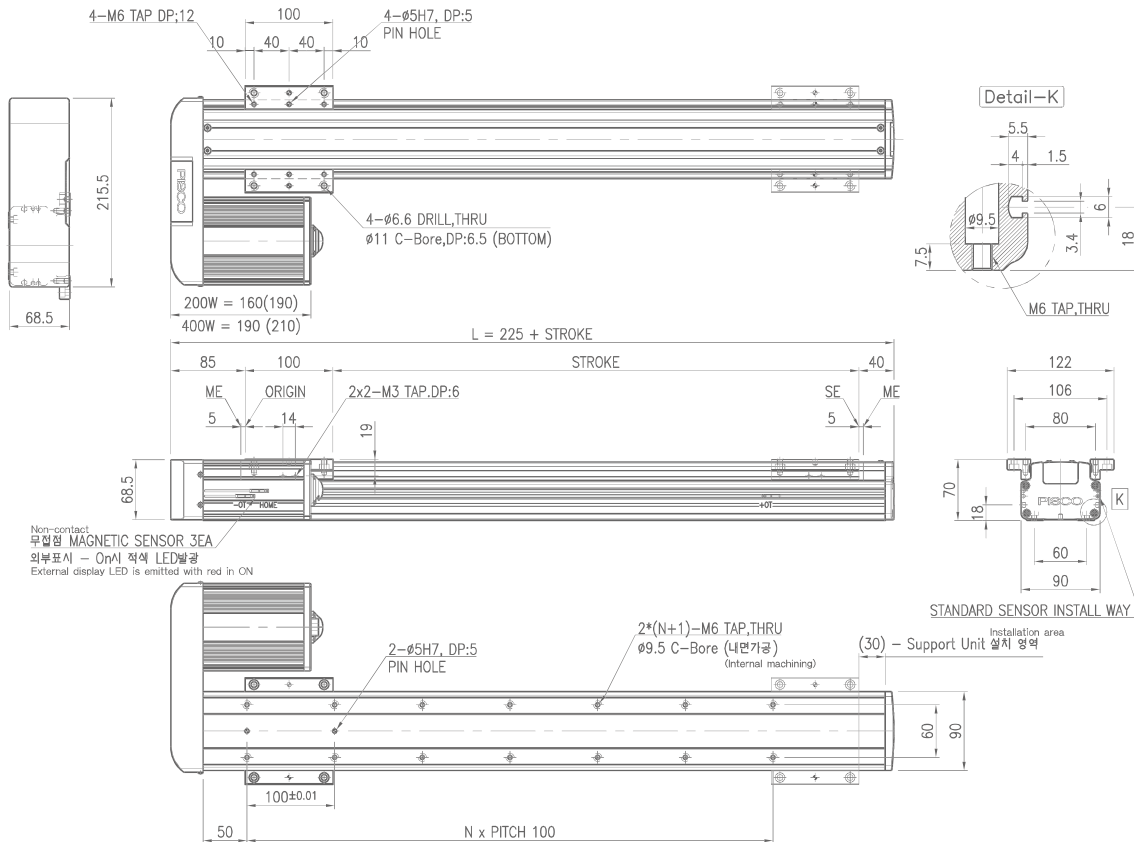
PHRS090-R1-20(40)

※ () Brake Motor Dimension



PHRS090-R2-20(40)

※ () Brake Motor Dimension

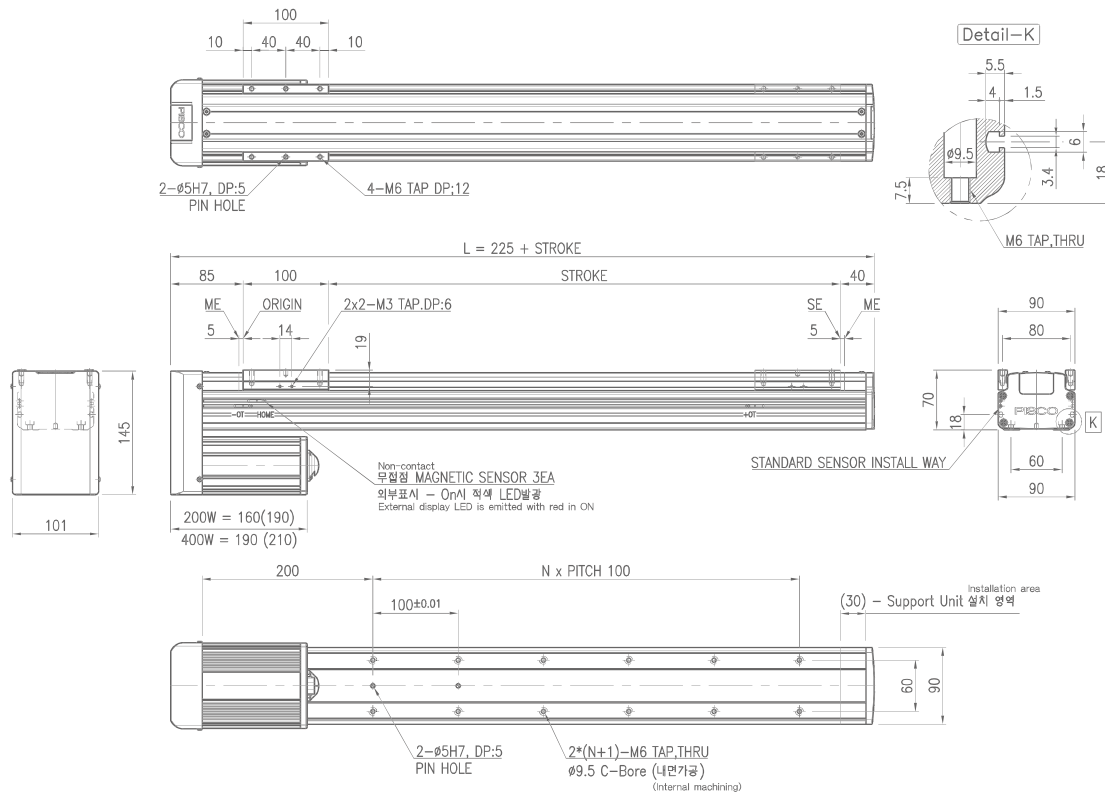


PHRS Standard Robot Ball Screw Type
PHRB
PHRC
PHRT
PHM
PSR
PLR
PSB/PHB
Gearbox
SBAC

치수도 Dimension (mm)

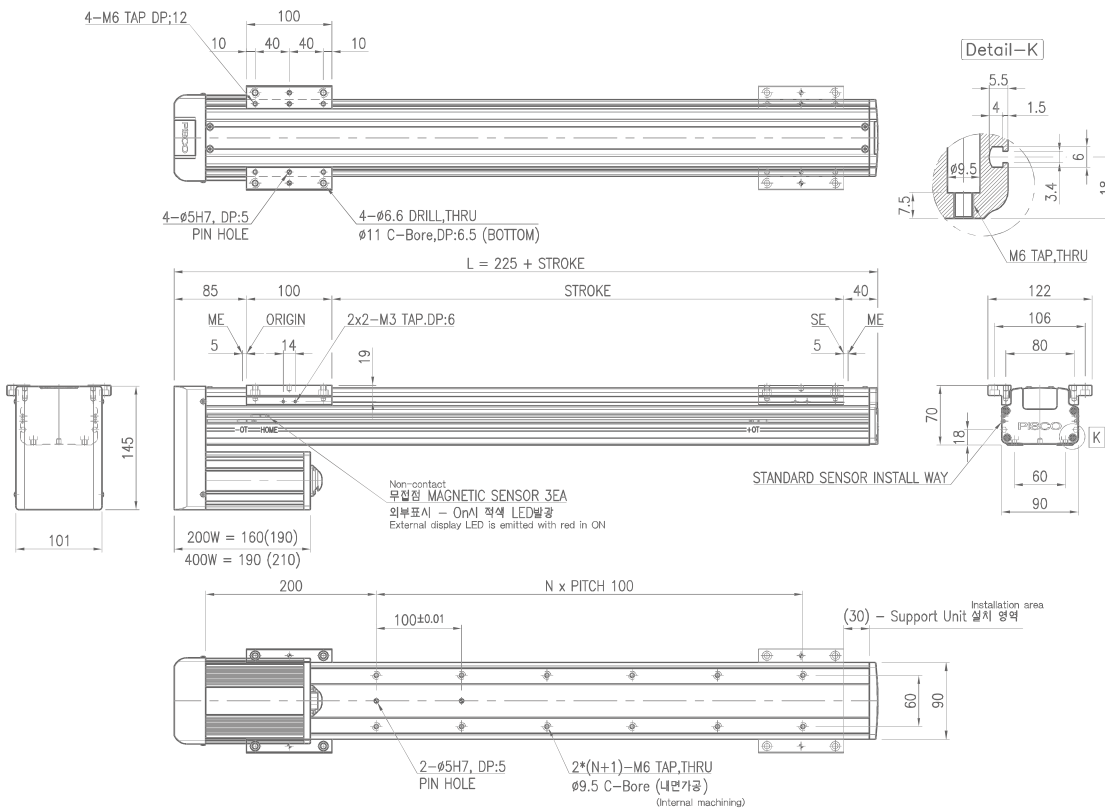
PHRS090-U1-20(40)

※ () Brake Motor Dimension



PHRS090-U2-20(40)

※ () Brake Motor Dimension



PHRS Standard Robot Ball Screw Type

PHRB

PHRC

PHRT

PHM

PSR

PLR

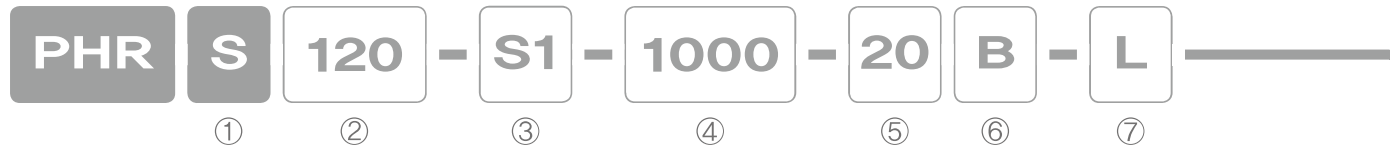
PSB/PHB

Gearbox

SBAC

PHRS Series

주문형식 Order Information



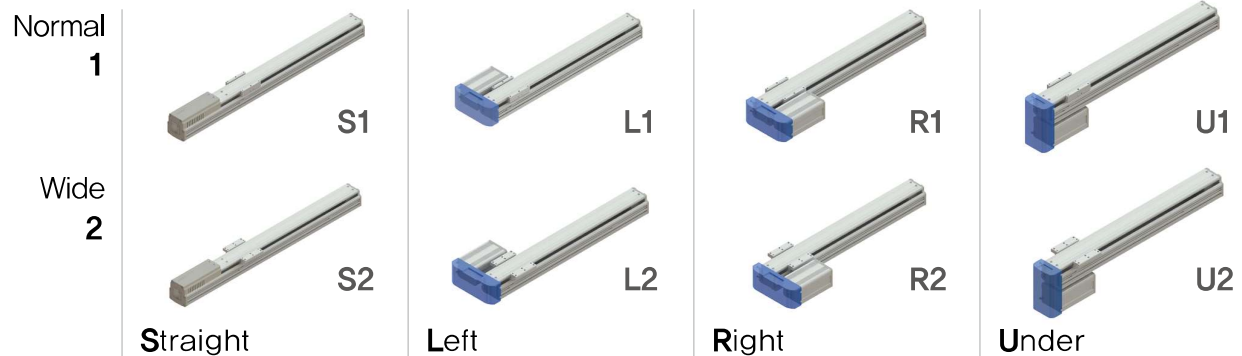
① 형식 Type

S Standard Robot, Ball Screw Type

② 본체 사이즈 Body Size

120 120mm

③ 형상 Shape



④ 이송거리 Stroke, In increment of 50mm

Ball Screw Spec	ST (mm)	1000	1500	2000	2500
L : 1505-C7		Yes	Yes	Yes	Yes
N : 1510-C7		Yes	Yes	Yes	Yes
H : 1520-C7		Yes	Yes	Yes	Yes
P : 1530-C7		Yes	Yes	Yes	Yes
L : 2005-C7(*)		Yes	Yes	Yes	Yes
N : 2010-C7(*)		Yes	Yes	Yes	Yes
H : 2020-C7(*)		Yes	Yes	Yes	Yes
P : 2030-C7(*)		Yes	Yes	Yes	Yes
S : 2040-C7(*)		Yes	Yes	Yes	Yes

* 볼나사 규격 20□□의 경우 모두 특주로 대응됩니다.
Ball screw size 20□□ is special order.

⑤ 모터용량 Motor capacity

20 200W **40** 400W **Option 10** 100W **Option 75** 750W

⑥ 브레이크 부착 Motor Brake

None Without Brake **B** With Brake

⑦ 속도 Speed, Motor 3000 rpm

L 250mm/s **N** 500mm/s **H** 1000mm/s
P 1500mm/s **S(*2)** 2000mm/s **U(*2)** 3000mm/s

선택사양 Option



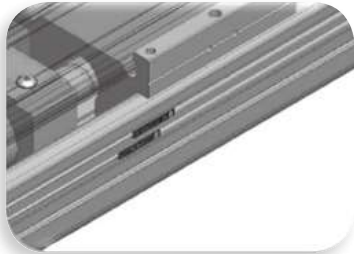
※1 볼나사의 회전수가 높아지면 축의 고유 진동수에 의한 공진 발생과 볼나사 축의 회전 원심력에 의한 내부 볼 순환 이상 및 리턴부 손상발생으로 위험속도를 계산하여 이송거리에 따른 최고 사용 속도를 정합니다.
 If the ball screw speed is raised, the rotary generates a resonance and the circular rotation of the inner ball can cause damage to the inner ball. Therefore, calculate the risk velocity and determine the maximum speed according to the transfer distance.

※2 상기 사양은 특수사양으로 피스코코리아 모션사업부에 문의하여 주십시오.
 Please contact motion business team of PISCO KOREA in case of special ordered specifications.

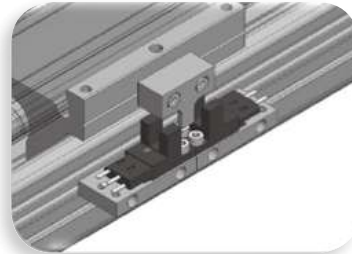
⑧ 로봇 색상 Robot Color Option

None	White (Standard)	B	Black Anodizing
------	------------------	---	-----------------

⑨ 센서 Sensor



None	External DC-24V Proximity LED Sensor (Standard)
------	---



E1	SUNX (PM-Y65)
E2	OMRON (EE-SX674A)
E3	SUNX (PM-L25)

⑩ 표면처리 Surface Treatment

None	Without Surface Treatment		
R1	LM Rail-Raydent	S1	Screw Shaft-Raydent
R2	LM Rail+Block-Raydent	S2	Screw Shaft+Nut-Raydent
RS1	LM Rail & Screw Shaft-Raydent		
RS2	LM Rail+Block & Screw Shaft+Nut-Raydent		

⑪ 감속기 Reduction Gear

None	Without Reduction Gear (Standard)	
G**	With Reduction Gear	
**	Reduction Gear Ratio 03~10	

⑫ 케이블베어 Cableveyor

None	Without Cableveyor	C	With Cableveyor
------	--------------------	---	-----------------

PHRS Standard Robot Ball Screw Type

PHRB

PHRC

PHRT

PHM

PSR

PLR

PSB/PHB

Gearbox

SBAC

사양 Specifications

공통사양 Common Specifications

Stroke Range	mm	100 ~ 2300
Positioning Repeatability		±0.02 (Ground C7), ±0.01 (Ground C5)
Drive System	mm	Ball Screw Ø15, Ø20(※1)
Guide		2 Way 15W – 2UU
Main Base & Slide		Aluminum Profile, Soft White Anodizing
Cover		Aluminum Profile, Soft White Anodizing(※2)

※1 볼나사 규격 20□□의 경우 모두 특주로 대응됩니다.

Ball screw size 20□□ is special order.

※2 Cover에 Transparent PC Extrude Profile의 사양은 특주로 대응됩니다.

The specifications of the transparent PC extruded profile on the cover are special order.

허용 이격 거리 Allowable Overhang Distance

Installation Types Load capacity		Setting Angle	Allowable Overhang Distance (mm)			
			20kg	30kg	40kg	50kg
Horizontal Use		0°	380	260	200	165
		45°	318	215	166	134
		90°	900	900	700	570
Wall Mount Use		0°	750	450	300	210
		45°	226	130	81	49
		90°	290	160	100	60
Vertical Use		0°	170	105	70	50
		45°	102	63	42	31
		90°	260	160	110	75
Estimated Condition	Stroke : 1000mm Speed : 1000mm/sec Acceleration : 0.2sec Life in traveled distance : 15000km or 15000Hr					

최고속도 및 부하하중 Max Speed & Payload

Ball Screw Specifications	Max Speed		AC Servo Motor 200W		AC Servo Motor 400W	
	Mark	mm/s	Horizontal	Vertical	Horizontal	Vertical
1505-C7	L	250	50kg	30kg	50kg	50kg
1510-C7	N	500	50kg	22kg	50kg	38kg
1520-C7	H	1000	28kg	9kg	45kg	21kg
1530-C7	P	1500	11kg	5kg	23kg	13kg
2005-C7(※)	L	250	50kg	46kg	50kg	50kg
2010-C7(※)	N	500	50kg	21kg	50kg	46kg
2020-C7(※)	H	1000	23kg	9kg	50kg	21kg
2030-C7(※)	P	1500	8kg	5kg	20kg	13kg
2040-C7(※)	S	2000	4kg	2kg	10kg	9kg
Estimated Condition	Stroke : 500mm Speed : Max Speed Acceleration : 0.2sec Servo Motor Rotate : 3000rpm					

※1 볼나사 규격 20□□의 경우 모두 특주로 대응됩니다.

Ball screw size 20□□ is special order.

이송거리별 최고속도 Max Speed by Stroke

Ball Screw		Stroke (mm) & Speed (mm/sec)																								
DIA	Lead	100	200	300	400	500	600	700	800	900	1000	1100	1200	1300	1400	1500	1600	1700	1800	1900	2000	2100	2200	2300	2400	2500
Ø15	5			250				209	167	137	115	97	83	72												
	10			500				417	335	274	229	194	167	145												
	20			1000				834	669	549	458	388	333	289	253	223	199	178	160							
	30			1500				1251	1004	823	687	582	500	434	380	335	298	267	241							
Ø20 (※)	5			250				236	193	161	137	117	102	89	79	70	63	56								
	10			500				472	387	323	274	235	204	178	158	140	125	113								
	20			1000				943	773	646	547	469	407	357	315	280	251	226	204	186	170	156	143			
	30			1500				1415	1160	969	821	704	611	535	473	420	376	339	307	279	255	234	215			
	40			2000				1887	1547	1291	1094	939	815	713	630	560	501	451	409	372	339	311	287			

※1 볼나사 규격 20□□의 경우 모두 특주로 대응됩니다.
Ball screw size 20□□ is special order.

이송거리별 무게 Weight by Stroke

PHRS120 Robot			Stroke (mm) & Weight (kg)																								
Motor	DIA	Type	100	200	300	400	500	600	700	800	900	1000	1100	1200	1300	1400	1500	1600	1700	1800	1900	2000	2100	2200	2300	2400	2500
200W	Ø15	S	7.9	8.8	9.7	10.7	11.6	12.5	13.4	14.3	15.2	16.1	17.1	18.0	18.9	19.8	20.7	21.6	22.5	23.5							
		P	7.8	8.7	9.7	10.6	11.5	12.4	13.3	14.2	15.1	16.0	17.0	17.9	18.8	19.7	20.6	21.5	22.5	23.4							
	Ø20 (※)	S	8.2	9.3	10.4	11.4	12.5	13.6	14.6	15.7	16.8	17.8	18.9	19.9	21.0	22.1	23.1	24.2	25.3	26.3	27.4	28.5	29.5	30.6	31.7		
		P	8.2	9.2	10.3	11.3	12.4	13.5	14.5	15.6	16.7	17.7	18.8	19.9	20.9	22.0	23.1	24.1	25.2	26.2	27.3	28.4	29.4	30.5	31.6		
400W	Ø15	S	8.7	9.6	10.5	11.4	12.3	13.2	14.1	15.1	16.0	16.9	17.8	18.7	19.6	20.5	21.5	22.4	23.3	24.2							
		P	8.4	9.3	10.2	11.1	12.1	13.0	13.9	14.8	15.7	16.6	17.5	18.5	19.4	20.3	21.2	22.1	23.0	23.9							
	Ø20 (※)	S	9.0	10.0	11.1	12.2	13.2	14.3	15.4	16.4	17.5	18.6	19.6	20.7	21.8	22.8	23.9	24.9	26.0	27.1	28.1	29.2	30.3	31.3	32.4		
		P	8.7	9.8	10.9	11.9	13.0	14.0	15.1	16.2	17.2	18.3	19.4	20.4	21.5	22.6	23.6	24.7	25.8	26.8	27.9	28.9	30.0	31.1	32.1		

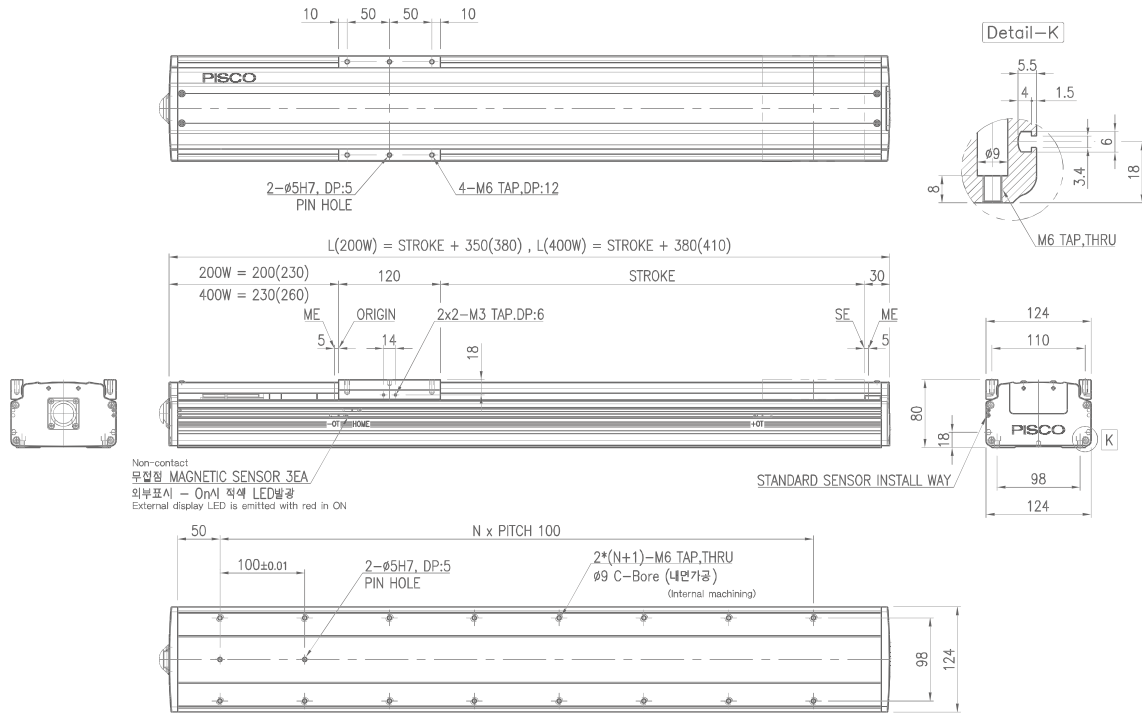
※1 볼나사 규격 20□□의 경우 모두 특주로 대응됩니다.
Ball screw size 20□□ is special order.

PHRS Standard Robot Ball Screw Type
PHRB
PHRC
PHRT
PHM
PSR
PLR
PSB/PHB
Gearbox
SBAC

치수도 Dimension (mm)

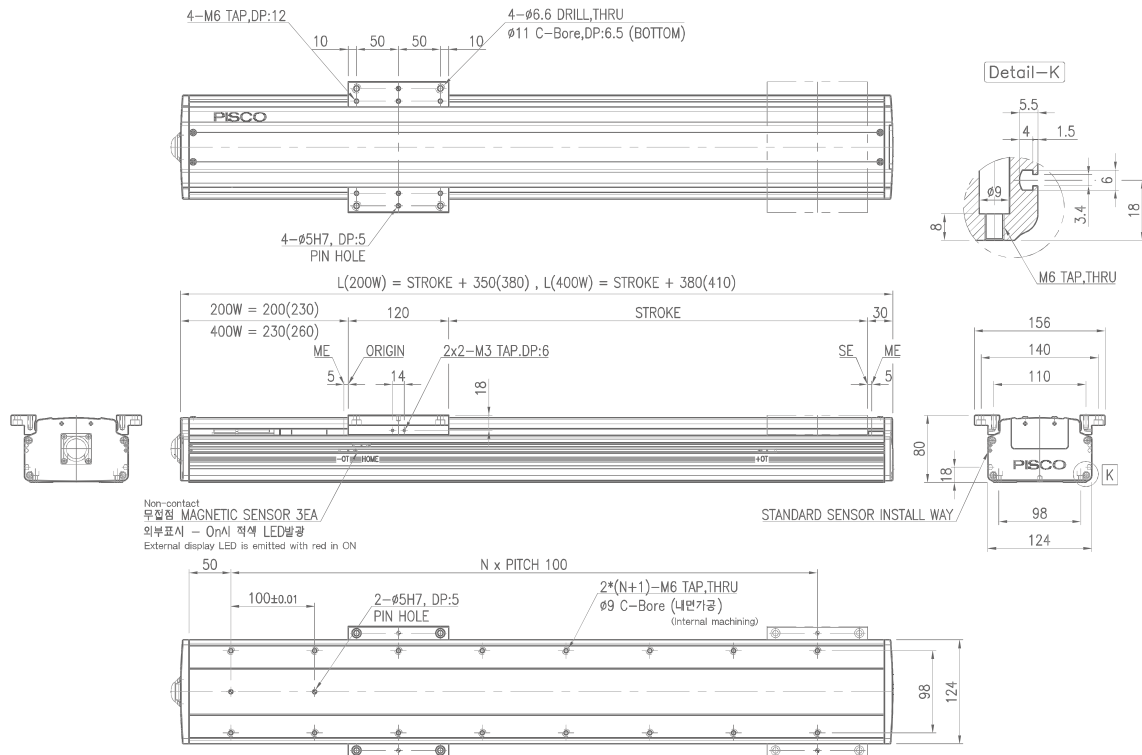
PHRS120-S1-20(40)

※ () Brake Motor Dimension



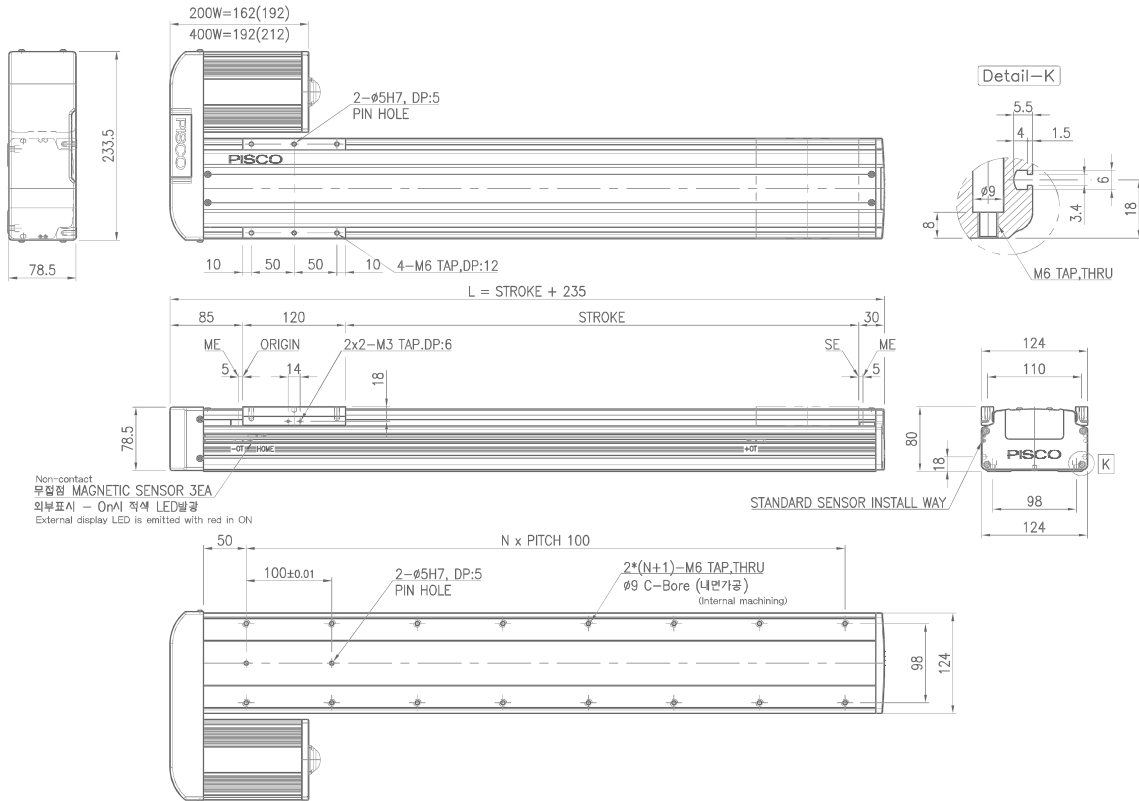
PHRS120-S2-20(40)

※ () Brake Motor Dimension



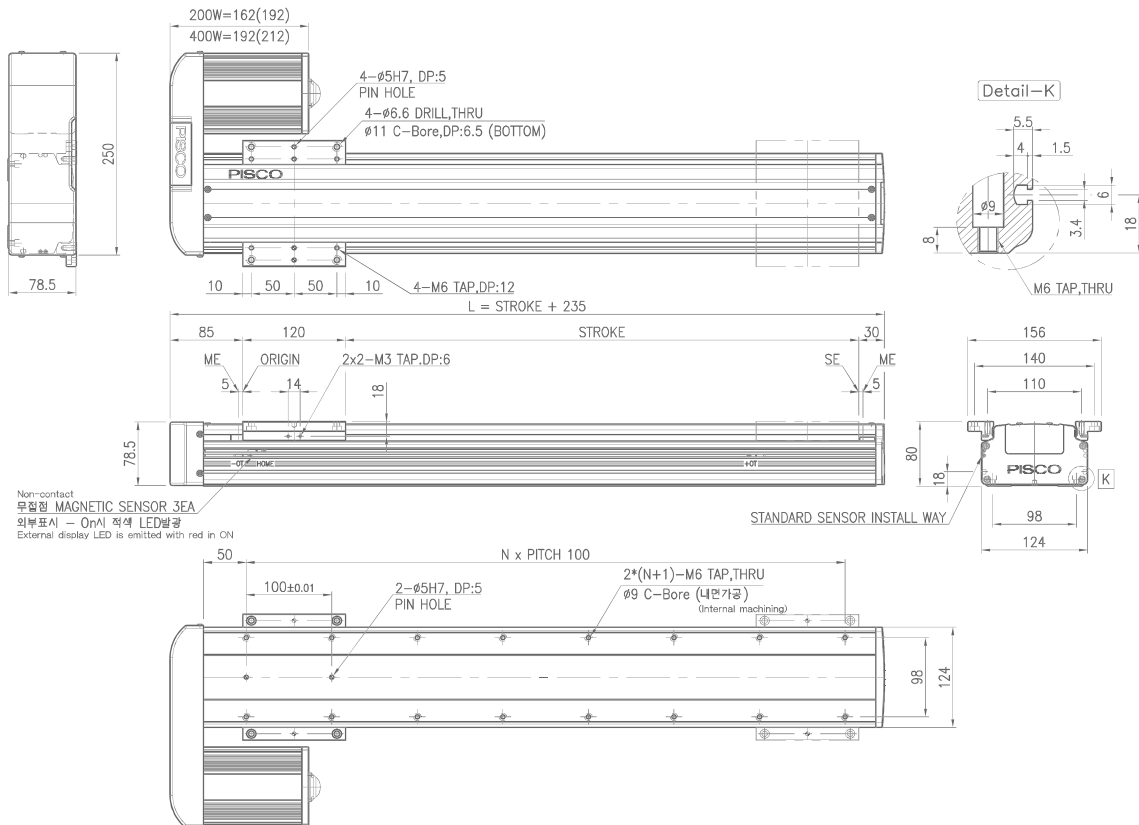
PHRS120-L1-20(40)

※ () Brake Motor Dimension



PHRS120-L2-20(40)

※ () Brake Motor Dimension

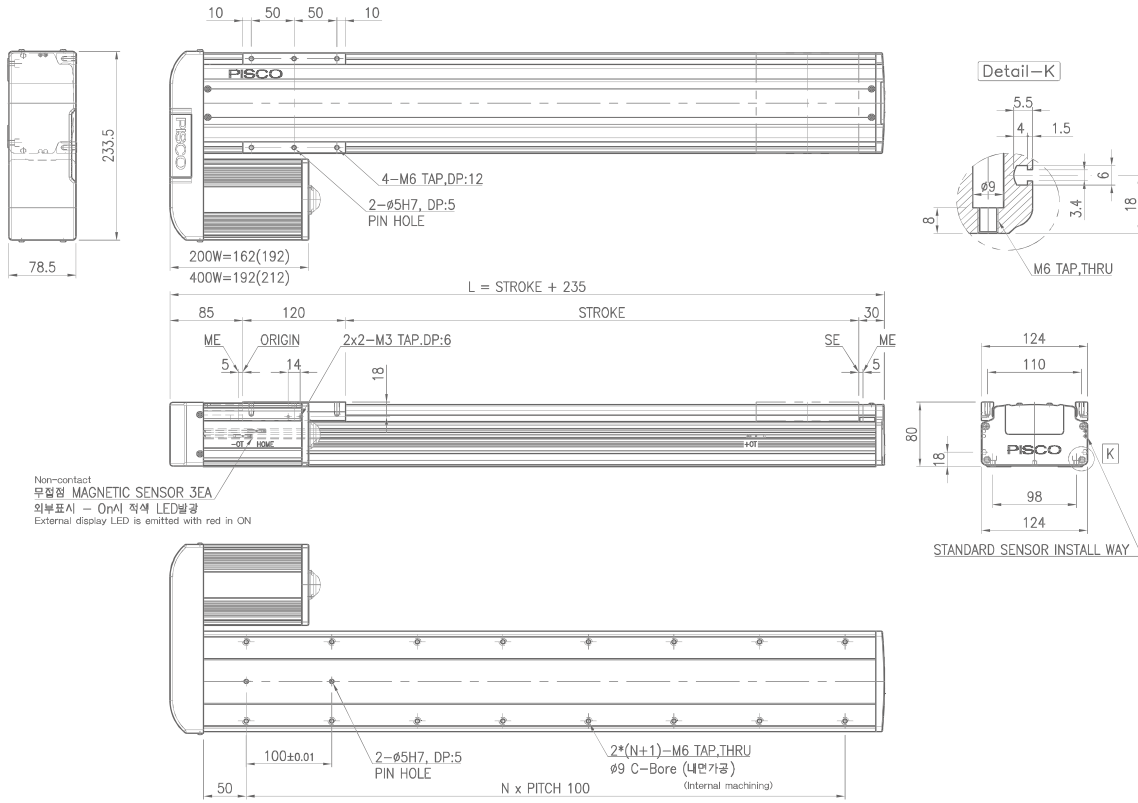


- PHRS Standard Robot Ball Screw Type
- PHRB
- PHRC
- PHRT
- PHM
- PSR
- PLR
- PSB/PHB
- Gearbox
- SBAC

치수도 Dimension (mm)

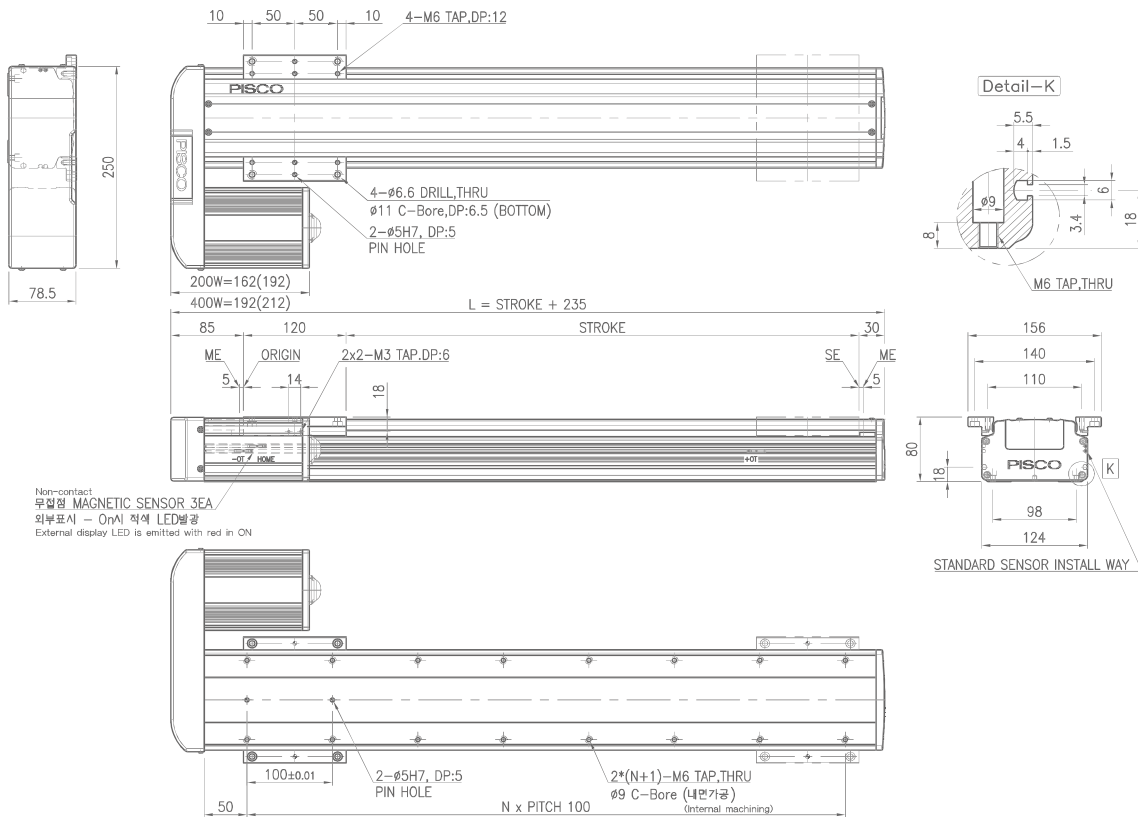
PHRS120-R1-20(40)

※ () Brake Motor Dimension



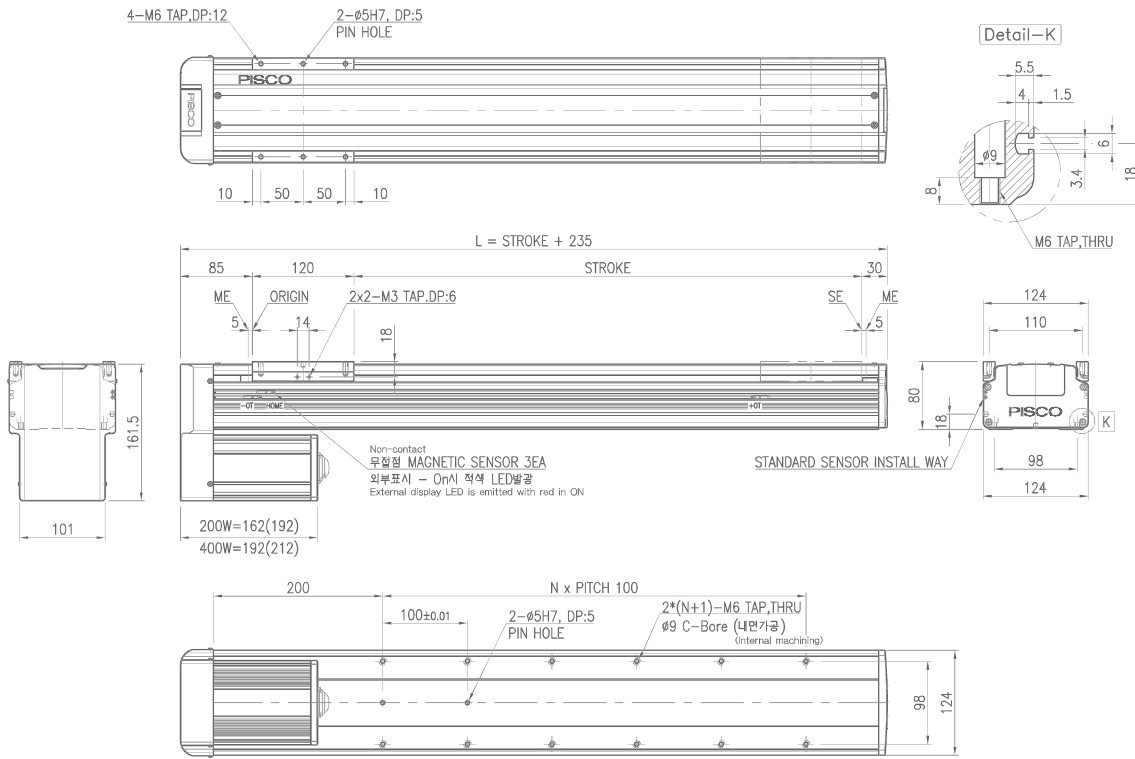
PHRS120-R2-20(40)

※ () Brake Motor Dimension



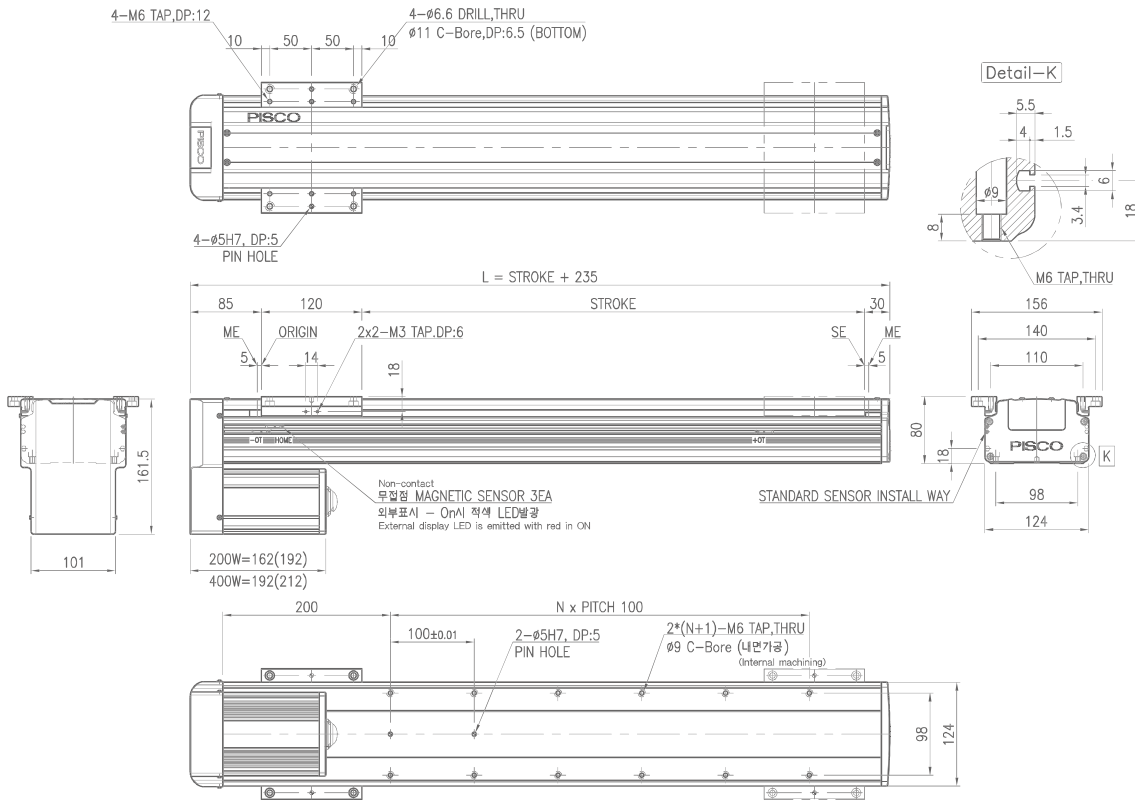
PHRS120-U1-20(40)

※ () Brake Motor Dimension



PHRS120-U2-20(40)

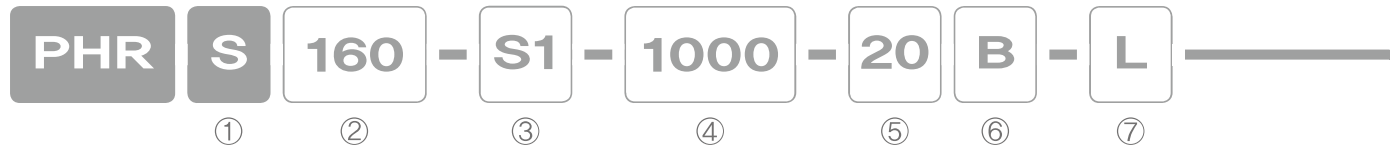
※ () Brake Motor Dimension



- PHRS Standard Robot Ball Screw Type
- PHRB
- PHRC
- PHRT
- PHM
- PSR
- PLR
- PSB/PHB
- Gearbox
- SBAC

PHRS Series

주문형식 Order Information



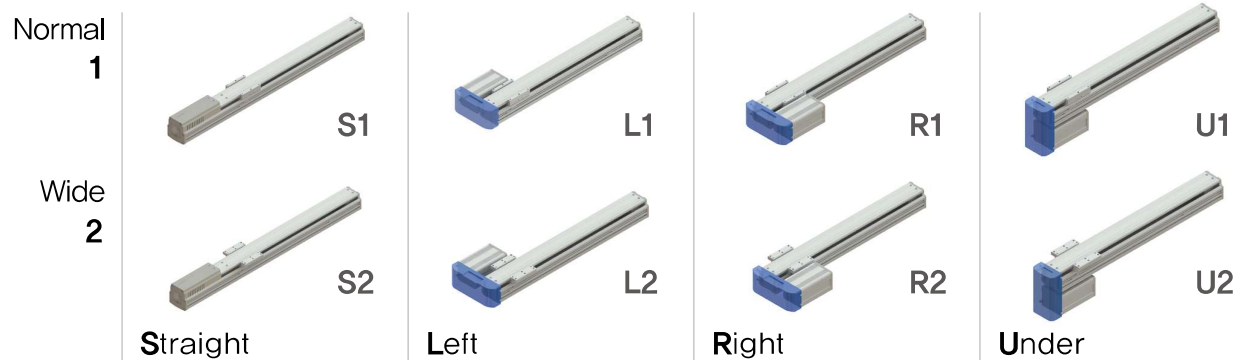
① 형식 Type

S Standard Robot, Ball Screw Type

② 본체 사이즈 Body Size

160 160mm

③ 형상 Shape



④ 이송거리 Stroke, In increment of 50mm

Ball Screw Spec	ST (mm)	1000	1500	2000	2500
L : 2005-C7(※)		✓	✓	✓	
N : 2010-C7		✓	✓	✓	
H : 2020-C7		✓	✓	✓	
P : 2030-C7		✓	✓	✓	
S : 2040-C7		✓	✓	✓	
U : 2060-C5(※)		✓	✓	✓	
L : 1505-C7(※)		✓	✓		
N : 1510-C7(※)		✓	✓		
H : 1520-C7(※)		✓	✓	✓	
P : 1530-C7(※)		✓	✓	✓	

※ 볼나사 규격 15□□, 2005, 2060의 경우 특수로 대응됩니다.
Ball screw size 15□□, 2005, 2060 is special order.

⑤ 모터용량 Motor capacity

20 200W **40** 400W **75** 750W

⑥ 브레이크 부착 Motor Brake

None Without Brake **B** With Brake

⑦ 속도 Speed, Motor 3000 rpm

L 250mm/s **N** 500mm/s **H** 1000mm/s
P 1500mm/s **S** 2000mm/s **U(*2)** 3000mm/s

선택사양 Option



※1 볼나사의 회전수가 높아지면 축의 고유 진동수에 의한 공진 발생과 볼나사 축의 회전 원심력에 의한 내부 볼 순환 이상 및 리턴부 손상발생으로 위험속도를 계산하여 이송거리에 따른 최고 사용 속도를 정합니다.

If the ball screw speed is raised, the rotary generates a resonance and the circular rotation of the inner ball can cause damage to the inner ball. Therefore, calculate the risk velocity and determine the maximum speed according to the transfer distance.

※2 상기 사양은 특수사양으로 피스코코리아 모션사업부에 문의하여 주십시오.

Please contact motion business team of PISCO KOREA in case of special ordered specifications.

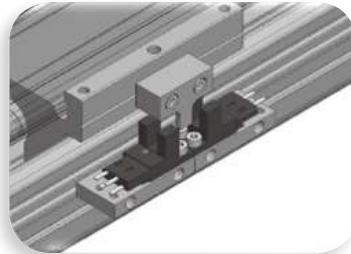
⑧ 로봇 색상 Robot Color Option

None	White (Standard)	B	Black Anodizing
------	------------------	---	-----------------

⑨ 센서 Sensor



None	External DC-24V Proximity LED Sensor (Standard)
------	---



E1	SUNX (PM-Y65)
E2	OMRON (EE-SX674A)
E3	SUNX (PM-L25)

⑩ 표면처리 Surface Treatment

None	Without Surface Treatment		
R1	LM Rail-Raydent	S1	Screw Shaft-Raydent
R2	LM Rail+Block-Raydent	S2	Screw Shaft+Nut-Raydent
RS1	LM Rail & Screw Shaft-Raydent		
RS2	LM Rail+Block & Screw Shaft+Nut-Raydent		

⑪ 감속기 Reduction Gear

None	Without Reduction Gear (Standard)	
G**	With Reduction Gear	
**	Reduction Gear Ratio 03~10	

⑫ 케이블베어 Cableveyor

None	Without Cableveyor	C	With Cableveyor
------	--------------------	---	-----------------

사양 Specifications

공통사양 Common Specifications

Stroke Range	mm	100 ~ 2200
Positioning Repeatability		±0.02 (Ground C7), ±0.01 (Ground C5)
Drive System	mm	Ball Screw Ø15, Ø20
Guide		2 Way 20W – 2UU
Main Base & Slide		Aluminum Profile, Soft White Anodizing
Cover		Aluminum Profile, Soft White Anodizing

※ Cover에 Transparent PC Extrude Profile의 사양은 특수로 대응됩니다.
The specifications of the transparent PC extruded profile on the cover are special order.

허용 이격 거리 Allowable Overhang Distance

Installation Types Load capacity		Setting Angle	Allowable Overhang Distance (mm)			
			40kg	50kg	60kg	70kg
Horizontal Use		0°	335	270	230	200
		45°	275	222	187	162
		90°	800	800	670	560
Wall Mount Use		0°	580	430	320	240
		45°	169	116	84	60
		90°	210	145	100	70
Vertical Use		0°	130	95	75	55
		45°	77	56	42	31
		90°	190	140	110	85
Estimated Condition	Stroke : 1000mm Speed : 1000mm/sec Acceleration : 0,2sec Life in traveled distance : 15000km or 15000Hr					

최고속도 및 부하하중 Max Speed & Payload

Ball Screw Specifications	Max Speed		AC Servo Motor 400W		AC Servo Motor 750W	
	Mark	mm/s	Horizontal	Vertical	Horizontal	Vertical
2005-C7(※)	L	250	70kg	46kg	70kg	70kg
2010-C7	N	500	70kg	44kg	70kg	70kg
2020-C7	H	1000	47kg	19kg	70kg	41kg
2030-C7	P	1500	18kg	11kg	63kg	25kg
2040-C7	S	2000	8kg	7kg	30kg	18kg
2060-C5(※)	U	3000	—	—	2kg	2kg
1505-C7(※)	L	250	70kg	70kg	70kg	70kg
1510-C7(※)	N	500	70kg	44kg	70kg	70kg
1520-C7(※)	H	1000	53kg	19kg	70kg	41kg
1530-C7(※)	P	1500	21kg	11kg	66kg	25kg
Estimated Condition	Stroke : 500mm Speed : Max Speed Acceleration : 0,2sec Servo Motor Rotate : 3000rpm					

※ 볼나사 규격 15□□, 2005, 2060의 경우 특수로 대응됩니다.
Ball screw size 15□□, 2005, 2060 is special order.

이송거리별 최고속도 Max Speed by Stroke

Ball Screw		Stroke (mm) & Speed (mm/sec)																								
DIA	Lead	100	200	300	400	500	600	700	800	900	1000	1100	1200	1300	1400	1500	1600	1700	1800	1900	2000	2100	2200	2300	2400	2500
Ø20	5(※)			250				242	198	165	140	120	104	91	80	71	64	57								
	10			500				485	396	330	279	239	207	181	160	142	127	115								
	20			1000				969	793	660	559	479	415	363	320	284	254	229	207	188	172	157	145			
	30			1500				1454	1189	991	838	718	622	544	480	427	382	344	311	282	258	236	217			
	40			2000				1939	1585	1321	1117	957	829	725	640	569	509	458	414	376	343	315	289			
	60(※)			3000				2908	2378	1981	1676	1436	1244	1088	960	853	763	687	621	564	515					
Ø15 (※)	5			250			215	172	141	117	99	85	74													
	10			500			430	344	281	234	198	170	147													
	20			1000			860	688	562	468	396	339	294	257	227	202	180	162								
	30			1500			1290	1032	844	703	594	509	441	386	341	303	271	244								

※ 볼나사 규격 15□□, 2005, 2060의 경우 특주로 대응됩니다.
Ball screw size 15□□, 2005, 2060 is special order.

이송거리별 무게 Weight by Stroke

PHRS160 Robot			Stroke (mm) & Weight (kg)																								
Motor	DIA	Type	100	200	300	400	500	600	700	800	900	1000	1100	1200	1300	1400	1500	1600	1700	1800	1900	2000	2100	2200	2300	2400	2500
400W	Ø20	S	14.4	15.9	17.5	19.0	20.6	22.1	23.6	25.2	26.7	28.2	29.8	31.3	32.9	34.4	35.9	37.5	39.0	40.5	42.1	43.6	45.2	46.7			
		P	14.4	15.9	17.5	19.0	20.5	22.1	23.6	25.1	26.7	28.2	29.7	31.3	32.8	34.4	35.9	37.4	39.0	40.5	42.0	43.6	45.1	46.7			
	Ø15	S	13.4	14.8	16.1	17.5	18.9	20.3	21.7	23.1	24.5	25.9	27.3	28.6	30.0	31.4	32.8	34.2	35.6								
		P	13.3	14.7	16.0	17.4	18.8	20.3	21.7	23.1	24.5	25.9	27.3	28.7	30.1	31.5	32.9	34.3	35.7								
750W	Ø20	S	16.1	17.6	19.2	20.7	22.2	23.8	25.3	26.9	28.4	29.9	31.5	33.0	34.5	36.1	37.6	39.2	40.7	42.2	43.8	45.3	46.8	48.4			
		P	15.8	17.3	18.9	20.4	22.0	23.5	25.0	26.6	28.1	29.6	31.2	32.7	34.3	35.8	37.3	38.9	40.4	41.9	43.5	45.0	46.6	48.1			
	Ø15	S	15.1	16.4	17.8	19.2	20.6	22.0	23.4	24.8	26.2	27.5	28.9	30.3	31.7	33.1	34.5	35.9	37.3								
		P	14.7	16.1	17.5	18.9	20.3	21.6	23.0	24.4	25.8	27.2	28.6	30.0	31.4	32.8	34.2	35.5	36.9								

PHRS Standard Robot Ball Screw Type

PHRB

PHRC

PHRT

PHM

PSR

PLR

PSB/PHB

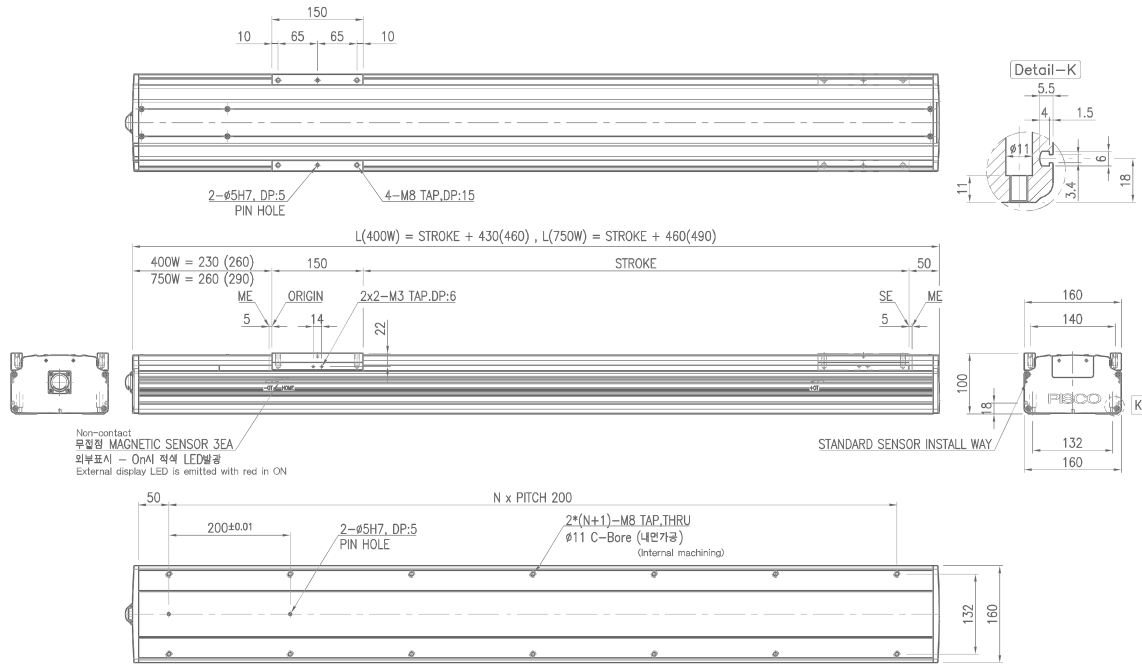
Gearbox

SBAC

치수도 Dimension (mm)

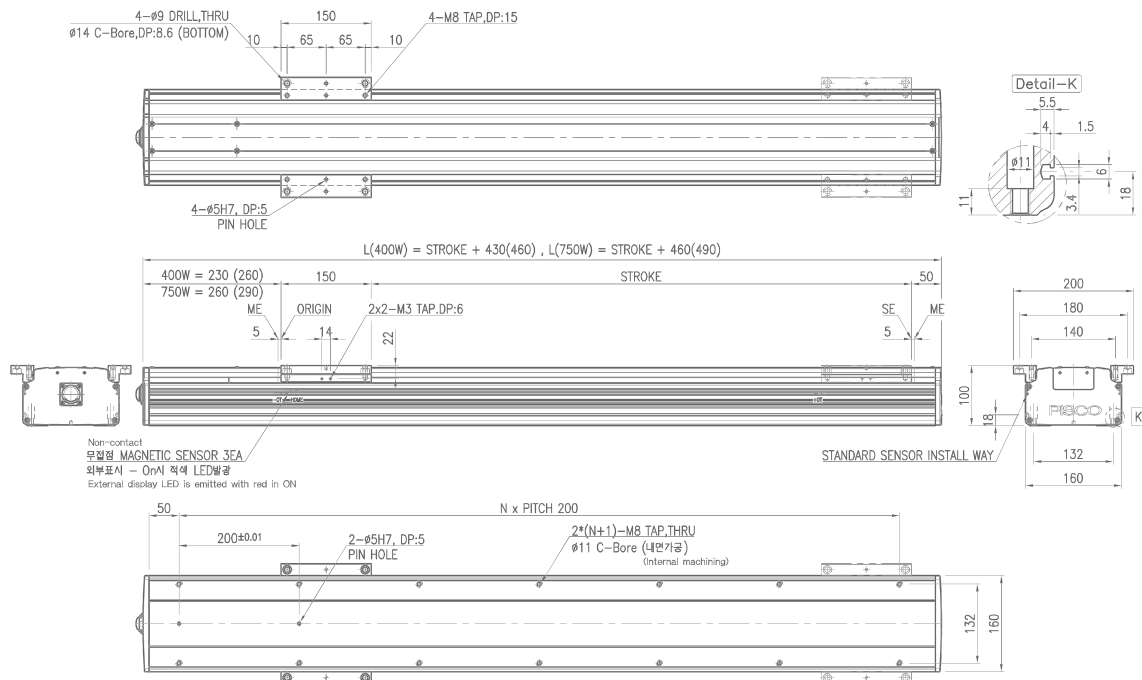
PHRS160-S1-40(75)

※ () Brake Motor Dimension



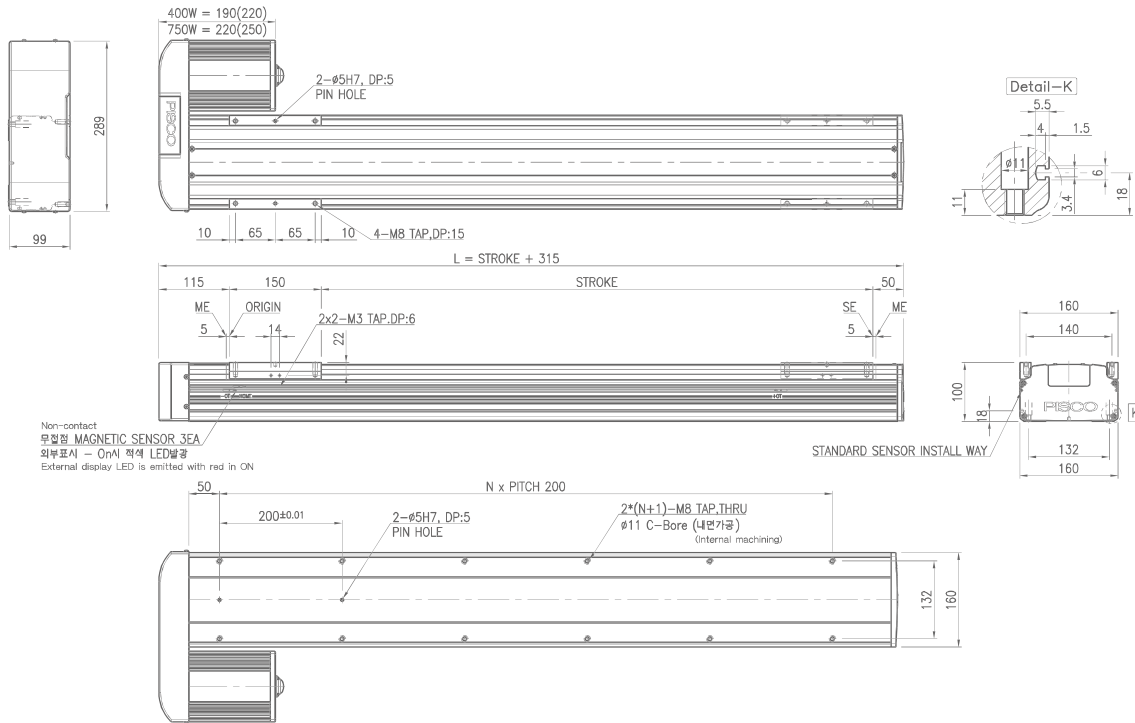
PHRS160-S2-40(75)

※ () Brake Motor Dimension



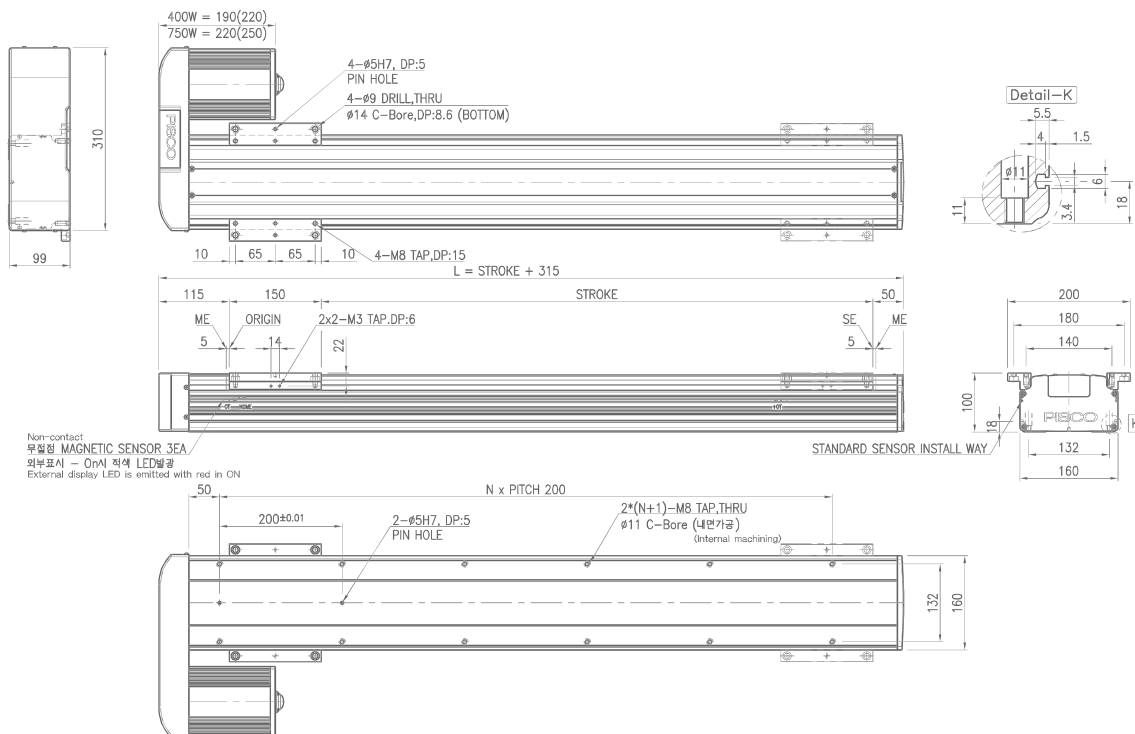
PHRS160-L1-40(75)

※ () Brake Motor Dimension



PHRS160-L2-40(75)

※ () Brake Motor Dimension

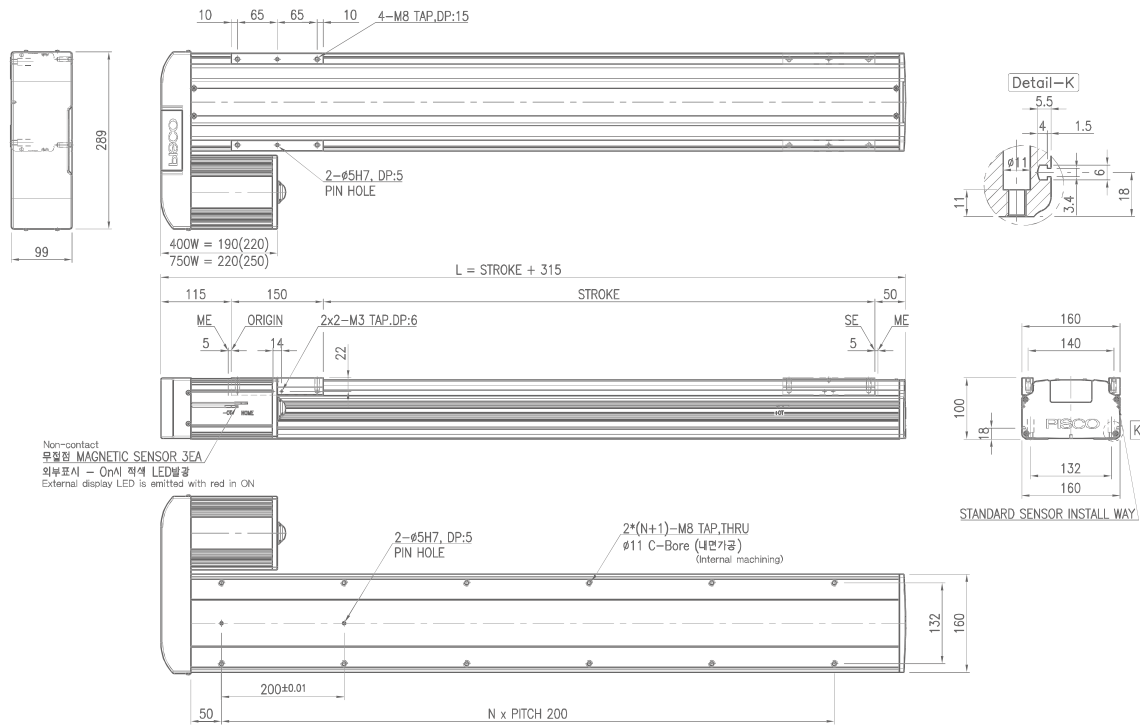


- PHRS Standard Robot Ball Screw Type
- PHRB
- PHRC
- PHRT
- PHM
- PSR
- PLR
- PSB/PHB
- Gearbox
- SBAC

치수도 Dimension (mm)

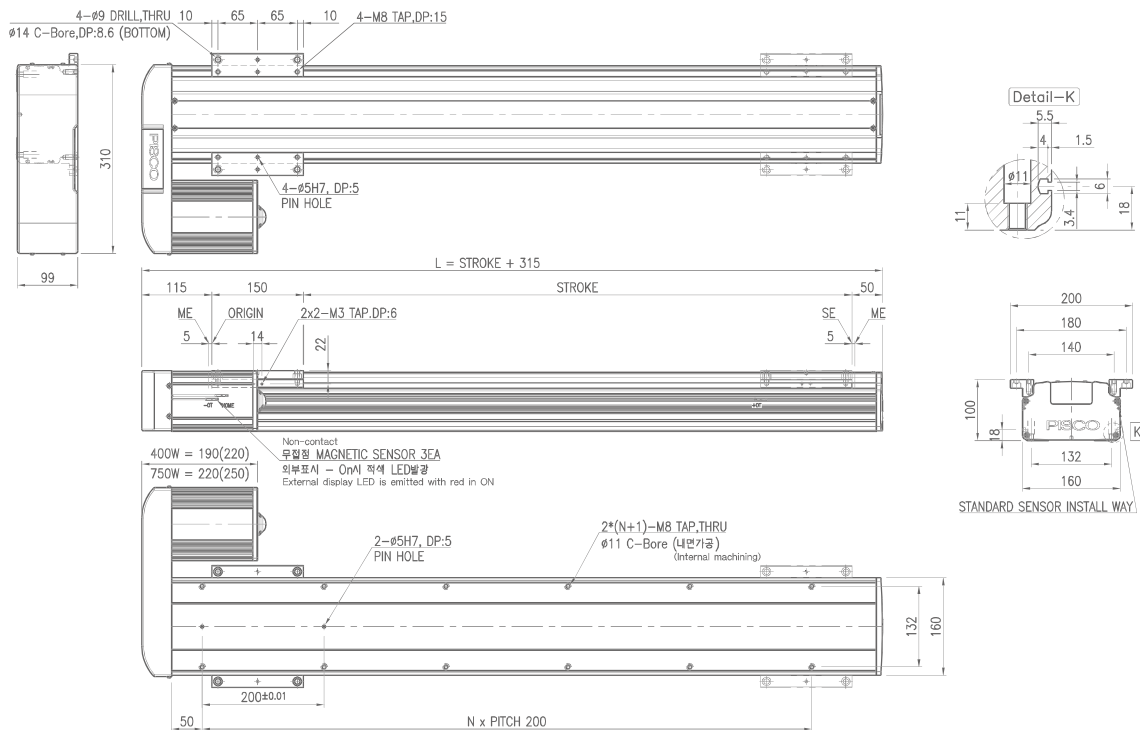
PHRS160-R1-40(75)

※ () Brake Motor Dimension



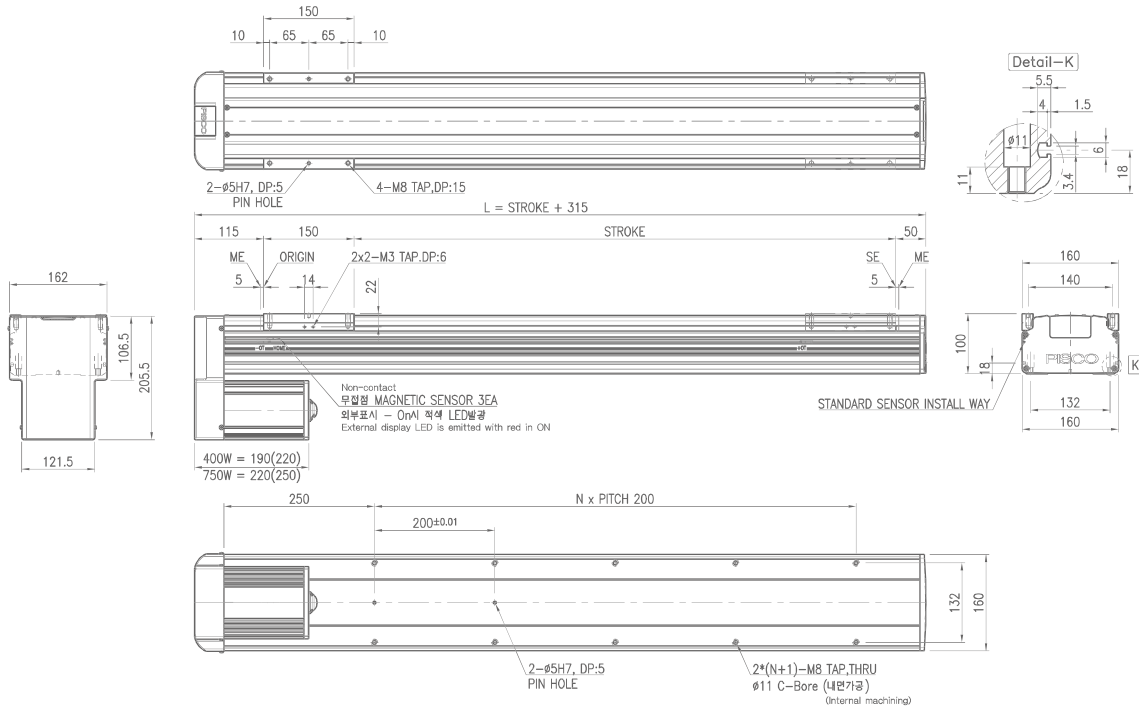
PHRS160-R2-40(75)

※ () Brake Motor Dimension



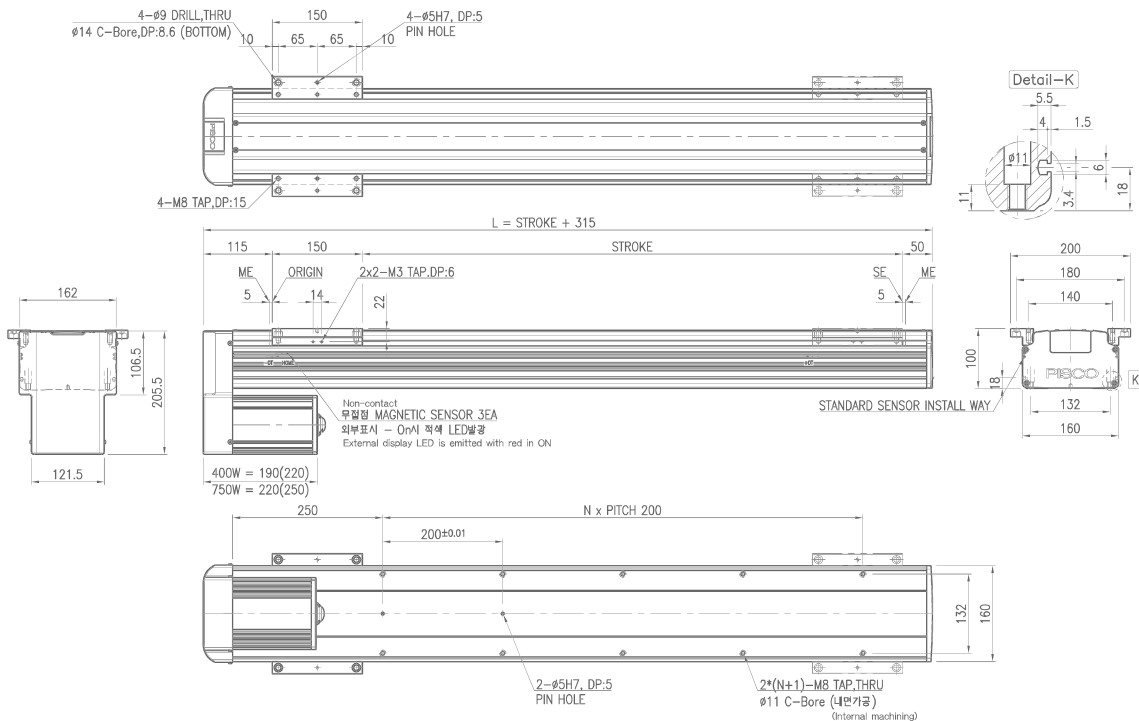
PHRS160-U1-40(75)

※ () Brake Motor Dimension



PHRS160-U2-40(75)

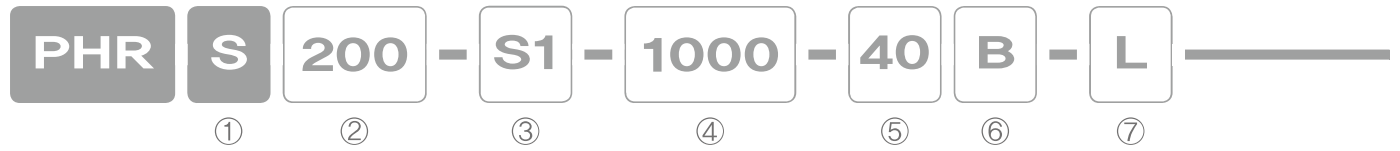
※ () Brake Motor Dimension



PHRS Standard Robot Ball Screw Type
PHRB
PHRC
PHRT
PHM
PSR
PLR
PSB/PHB
Gearbox
SBAC

PHRS Series

주문형식 Order Information



① 형식 Type

S Standard Robot, Ball Screw Type

② 본체 사이즈 Body Size

200 200mm

③ 형상 Shape

Normal

1



S1



L1



R1



U1

Wide

2



S2



L2



R2



U2

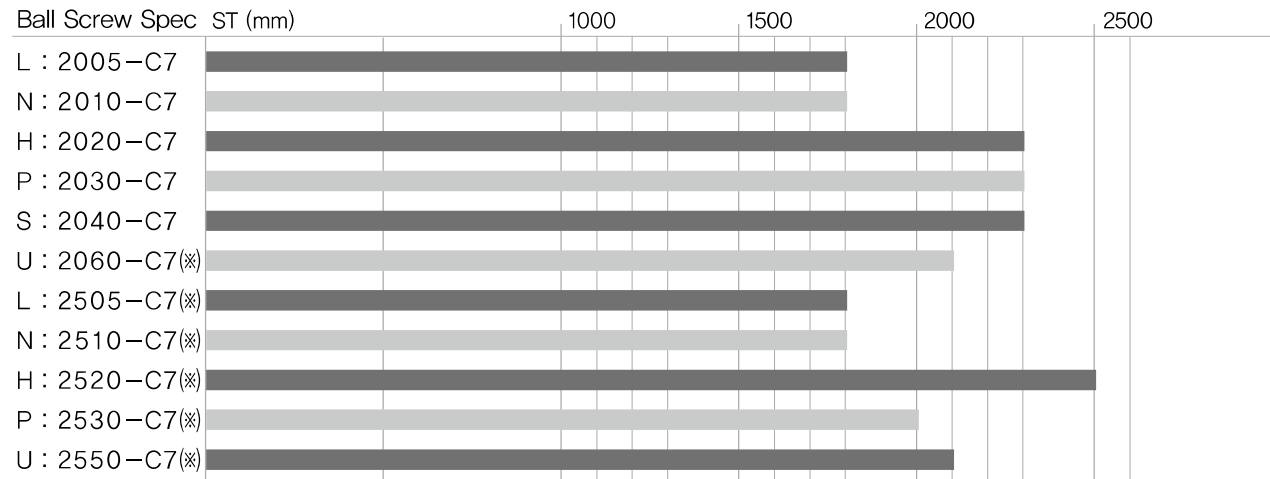
Straight

Left

Right

Under

④ 이송거리 Stroke, In increment of 50mm



※ 볼나사 규격 2060, 25□□의 경우 특수로 대응됩니다.
Ball screw size 2060, 25□□ is special order.

⑤ 모터용량 Motor capacity

40 400W **75** 750W

⑥ 브레이크 부착 Motor Brake

None Without Brake **B** With Brake

⑦ 속도 Speed, Motor 3000 rpm

L 250mm/s **N** 500mm/s **H** 1000mm/s
P 1500mm/s **S** 2000mm/s **U** 3000mm/s

선택사양 Option



※1 볼나사의 회전수가 높아지면 축의 고유 진동수에 의한 공진 발생과 볼나사 축의 회전 원심력에 의한 내부 볼 순환 이상 및 리턴부 손상발생으로 위험속도를 계산하여 이송거리에 따른 최고 사용 속도를 정합니다.

If the ball screw speed is raised, the rotary generates a resonance and the circular rotation of the inner ball can cause damage to the inner ball. Therefore, calculate the risk velocity and determine the maximum speed according to the transfer distance.

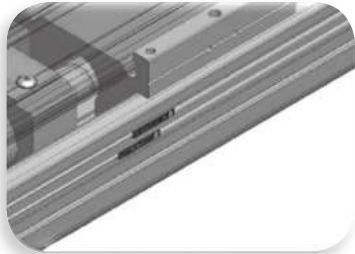
※2 상기 사양은 특수사양으로 피스코코리아 모션사업부에 문의하여 주십시오.

Please contact motion business team of PISCO KOREA in case of special ordered specifications.

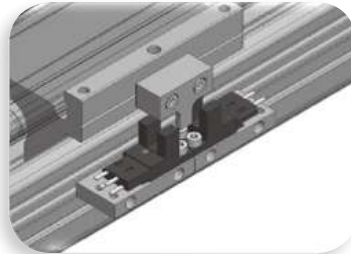
⑧ 로봇 색상 Robot Color Option

None	White (Standard)	B	Black Anodizing
------	------------------	---	-----------------

⑨ 센서 Sensor



None	External DC-24V Proximity LED Sensor (Standard)
------	---



E1	SUNX (PM-Y65)
E2	OMRON (EE-SX674A)
E3	SUNX (PM-L25)

⑩ 표면처리 Surface Treatment

None	Without Surface Treatment		
R1	LM Rail-Raydent	S1	Screw Shaft-Raydent
R2	LM Rail+Block-Raydent	S2	Screw Shaft+Nut-Raydent
RS1	LM Rail & Screw Shaft-Raydent		
RS2	LM Rail+Block & Screw Shaft+Nut-Raydent		

⑪ 감속기 Reduction Gear

None	Without Reduction Gear (Standard)	
G**	With Reduction Gear	
**	Reduction Gear Ratio 03~10	

⑫ 케이블베어 Cableveyor

None	Without Cableveyor	C	With Cableveyor
------	--------------------	---	-----------------

사양 Specifications

공통사양 Common Specifications

Stroke Range	mm	100 ~ 2500
Positioning Repeatability		±0.02 (Ground C7), ±0.01 (Ground C5)
Drive System	mm	Ball Screw Ø20, Ø25
Guide		2 Way 25W – 2UU
Main Base & Slide		Aluminum Profile, Soft White Anodizing
Cover		Aluminum Profile, Soft White Anodizing

※ Cover에 Transparent PC Extrude Profile의 사양은 특수로 대응됩니다.
The specifications of the transparent PC extruded profile on the cover are special order.

허용 이격 거리 Allowable Overhang Distance

Installation Types Load capacity		Setting Angle	Allowable Overhang Distance (mm)			
			60kg	80kg	100kg	120kg
Horizontal Use		0°	450	350	280	240
		45°	353	268	219	183
		90°	800	800	630	500
Wall Mount Use		0°	730	510	370	270
		45°	261	176	127	92
		90°	340	220	150	100
Vertical Use		0°	165	115	85	65
		45°	100	71	50	40
		90°	220	150	110	80
Estimated Condition	Stroke : 1000mm Speed : 1000mm/sec Acceleration : 0.2sec Life in traveled distance : 15000km or 15000Hr					

최고속도 및 부하하중 Max Speed & Payload

Ball Screw Specifications	Max Speed		AC Servo Motor 400W		AC Servo Motor 750W	
	Mark	mm/s	Horizontal	Vertical	Horizontal	Vertical
2005-C7	L	250	120kg	60kg	120kg	90kg
2010-C7	N	500	120kg	42kg	120kg	85kg
2020-C7	H	1000	33kg	18kg	120kg	39kg
2030-C7	P	1500	12kg	10kg	57kg	22kg
2040-C7	S	2000	3kg	3kg	24kg	16kg
2060-C7(※)	U	3000	—	—	5kg	6kg
2505-C7(※)	L	250	120kg	92kg	120kg	120kg
2510-C7(※)	N	500	88kg	42kg	120kg	85kg
2520-C7(※)	H	1000	17kg	15kg	120kg	39kg
2530-C7(※)	P	1500	4kg	3kg	49kg	24kg
2550-C7(※)	U	2500	—	—	11kg	10kg
Estimated Condition	Stroke : 500mm Speed : Max Speed Acceleration : 0.2sec Servo Motor Rotate : 3000rpm					

※ 볼나사 규격 2060, 25□□의 경우 특수로 대응됩니다.
Ball screw size 2060, 25□□ is special order.

이송거리별 최고속도 Max Speed by Stroke

Ball Screw		Stroke (mm) & Speed (mm/sec)																								
DIA	Lead	100	200	300	400	500	600	700	800	900	1000	1100	1200	1300	1400	1500	1600	1700	1800	1900	2000	2100	2200	2300	2400	2500
Ø20	5				250				227	187	156	133	114	99	87	77	69	61	55							
	10				500				454	373	313	266	228	199	174	154	137	123	111							
	20				1000				907	746	625	531	457	397	348	308	274	246	221	201	183	167	153	141		
	30				1500				1361	1120	938	797	685	596	522	462	411	369	332	301	274	251	230	212		
	40				2000				1814	1493	1250	1062	913	794	696	616	548	491	443	401	365	334	307	282		
	60(※)				3000				2721	2239	1875	1593	1370	1191	1044	924	822	737	664	602	548	501				
Ø25 (※)	5				250				242	202	172	148	128	113	100	89	80	72								
	10				500				484	405	344	296	257	225	199	177	159	143								
	20				1000				967	809	687	591	514	450	398	355	318	286	260	236	216	198	182	169	156	
	30				1500				1451	1214	1031	887	771	676	598	532	477	430	390	355						
	50				2500				2418	2023	1718	1478	1284	1126	996	887	795	716	649	591	540					

※ 볼나사 규격 2060, 25□□의 경우 특주로 대응됩니다.
Ball screw size 2060, 25□□ is special order.

이송거리별 무게 Weight by Stroke

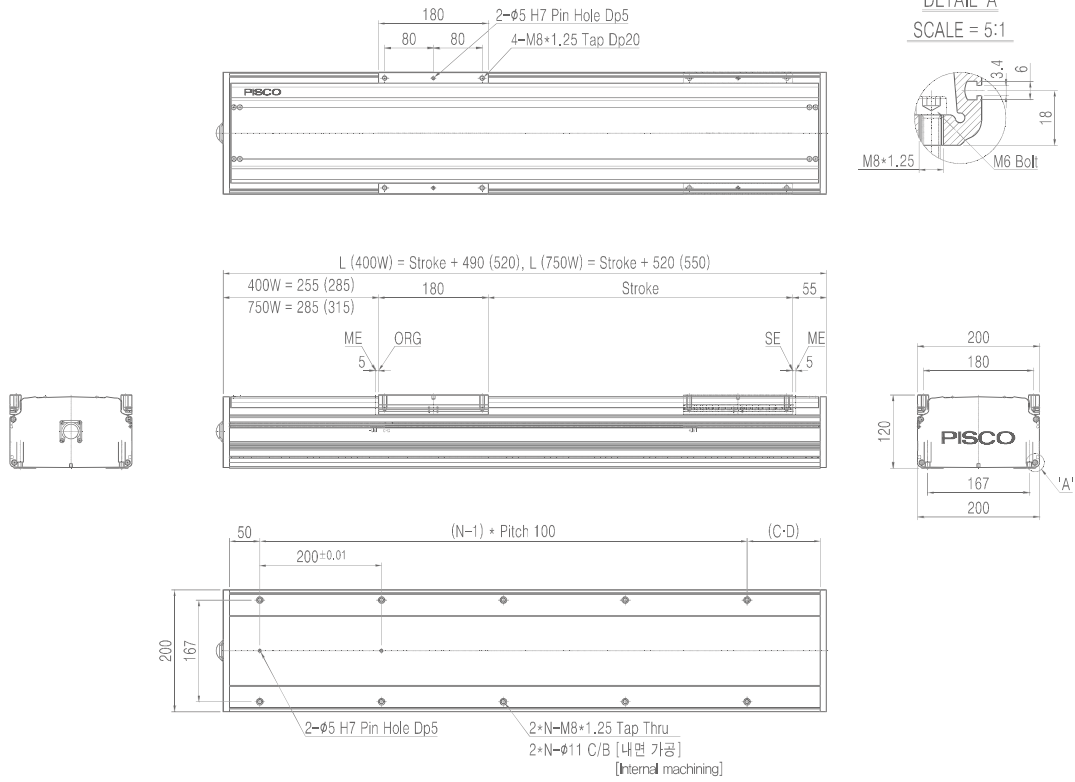
PHRS200 Robot			Stroke (mm) & Weight (kg)																								
Motor	DIA	Type	100	200	300	400	500	600	700	800	900	1000	1100	1200	1300	1400	1500	1600	1700	1800	1900	2000	2100	2200	2300	2400	2500
400W	Ø20	S	23,2	25,7	28,2	30,7	33,2	35,7	38,2	40,7	43,2	45,7	48,2	50,7	53,2	55,7	58,2	60,7	63,2	65,7	68,2	70,7	73,3	75,8	78,3		
		P	18,3	20,8	23,3	25,8	28,3	30,8	33,3	35,8	38,3	40,9	43,4	45,9	48,4	50,9	53,4	55,9	58,4	60,9	63,4	65,9	68,4	70,9	73,4		
	Ø25	S	23,7	26,3	28,9	31,5	34,1	36,7	39,3	41,9	44,5	47,1	49,7	52,3	54,9	57,5	60,1	62,8	65,4	68,0	70,6	73,2	75,8	78,4	81,0	83,6	86,2
		P	18,8	21,4	24,0	26,6	29,2	31,8	34,4	37,0	39,6	42,3	44,9	47,5	50,1	52,7	55,3	57,9	60,5	63,1	65,7	68,3	70,9	73,5	76,1	78,7	81,3
750W	Ø20	S	25,1	27,6	30,1	32,6	35,1	37,6	40,1	42,6	45,1	47,7	50,2	52,7	55,2	57,7	60,2	62,7	65,2	67,7	70,2	72,7	75,2	77,7	80,2		
		P	19,8	22,3	24,8	27,3	29,8	32,3	34,8	37,3	39,9	42,4	44,9	47,4	49,9	52,4	54,9	57,4	59,9	62,4	64,9	67,4	69,9	72,4	74,9		
	Ø25	S	25,6	28,2	30,8	33,4	36,0	38,6	41,2	43,8	46,4	49,0	51,6	54,2	56,8	59,4	62,0	64,6	67,2	69,8	72,4	75,0	77,6	80,2	82,8	85,4	88,0
		P	20,3	22,9	25,5	28,1	30,7	33,3	35,9	38,5	41,1	43,7	46,3	48,9	51,5	54,1	56,7	59,3	61,9	64,5	67,1	69,7	72,3	74,9	77,5	80,1	82,7

PHRS Standard Robot Ball Screw Type
 PHRB
 PHRC
 PHRT
 PHM
 PSR
 PLR
 PSB/PHB
 Gearbox
 SBAC

치수도 Dimension (mm)

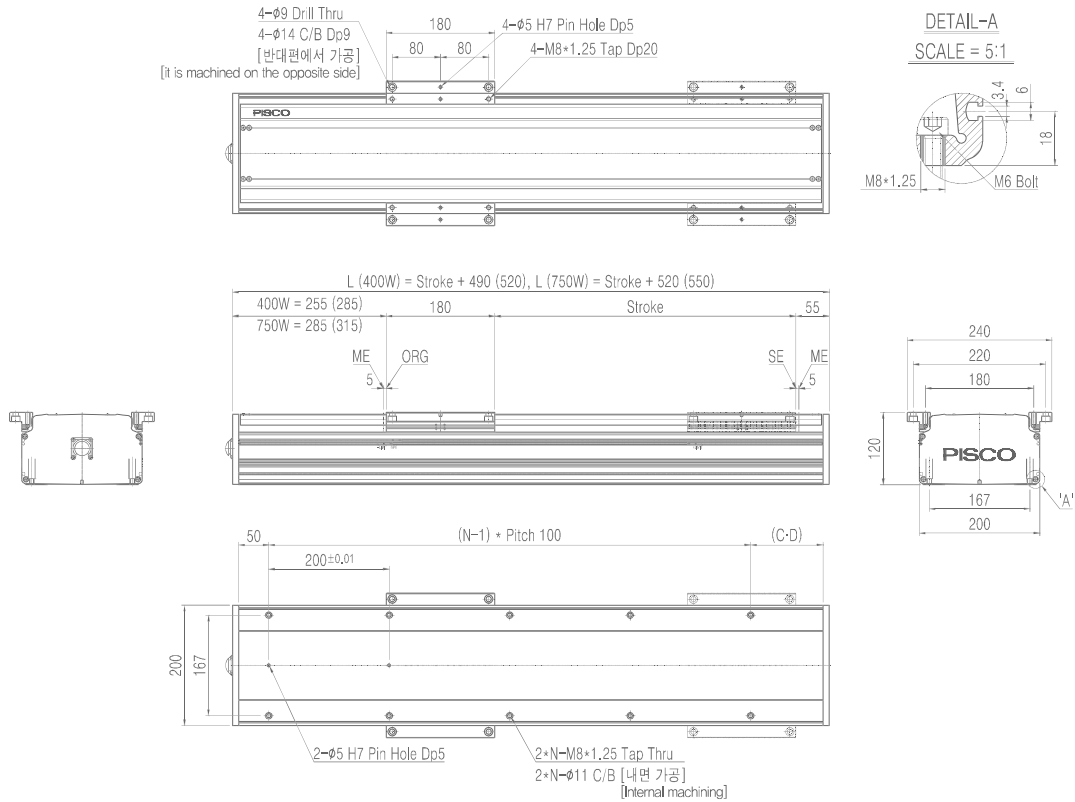
PHRS200-S1-40(75)

※ () Brake Motor Dimension



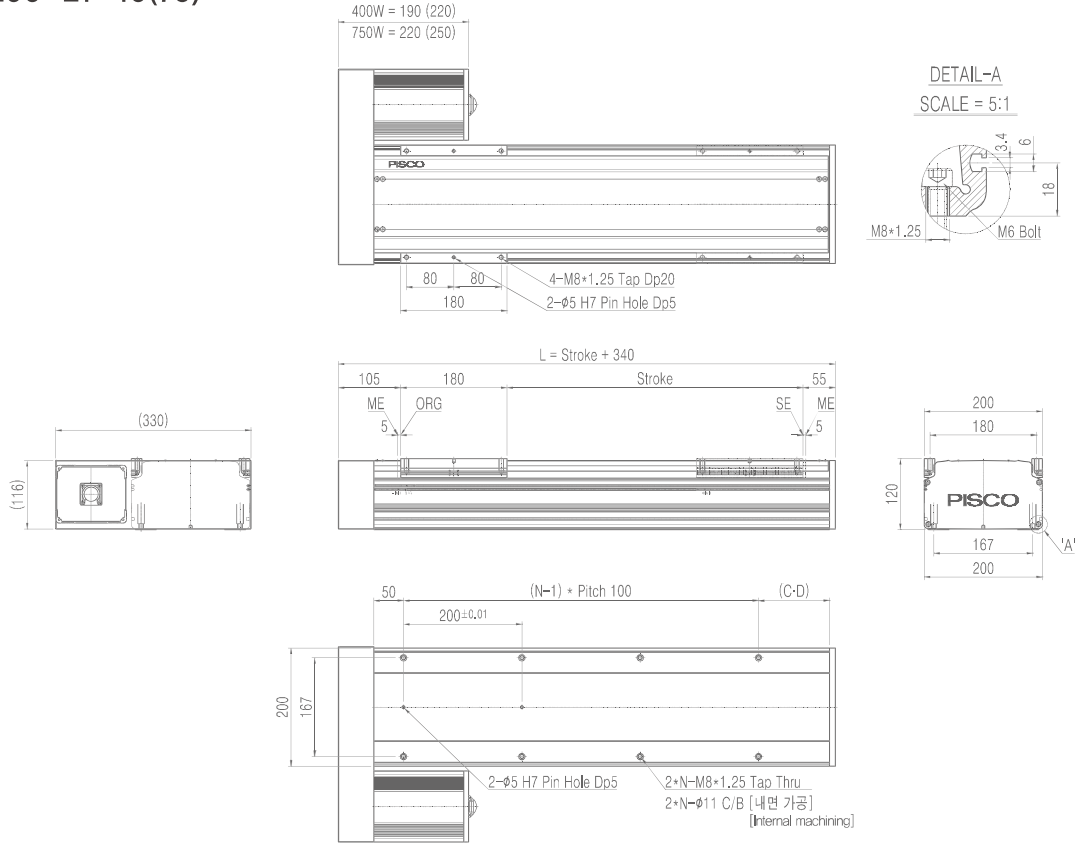
PHRS200-S2-40(75)

※ () Brake Motor Dimension



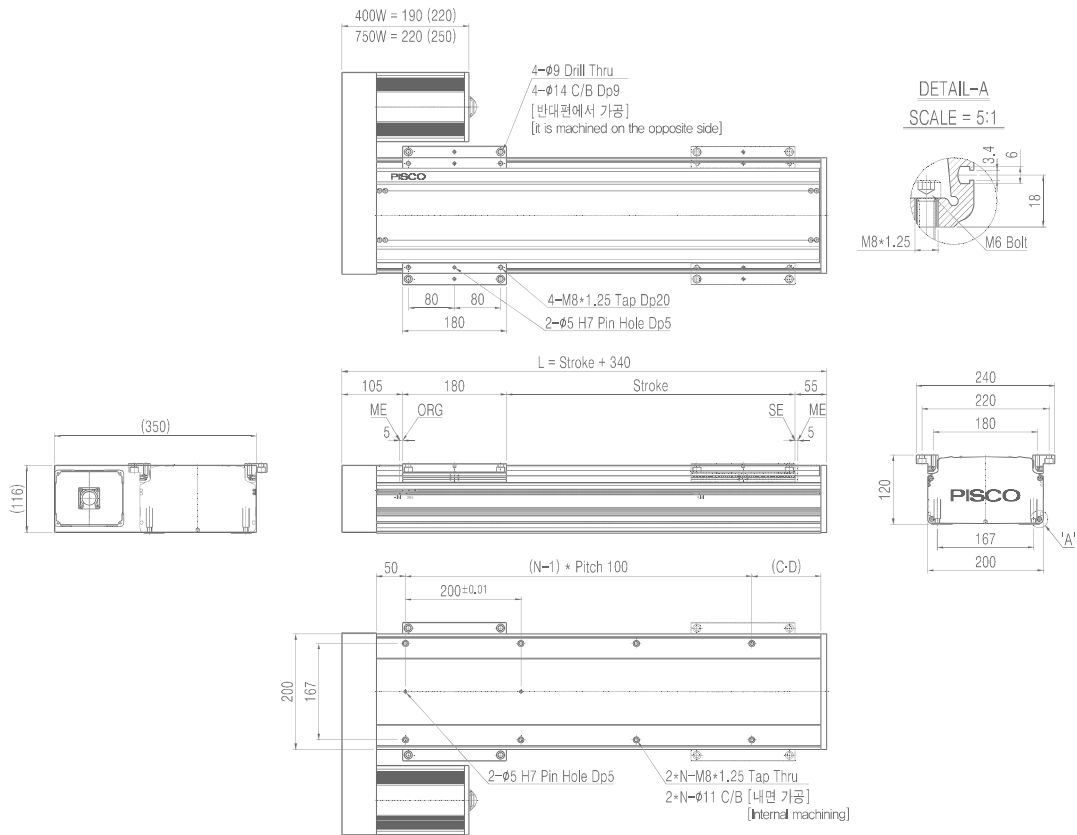
PHRS200-L1-40(75)

※ () Brake Motor Dimension



PHRS200-L2-40(75)

※ () Brake Motor Dimension

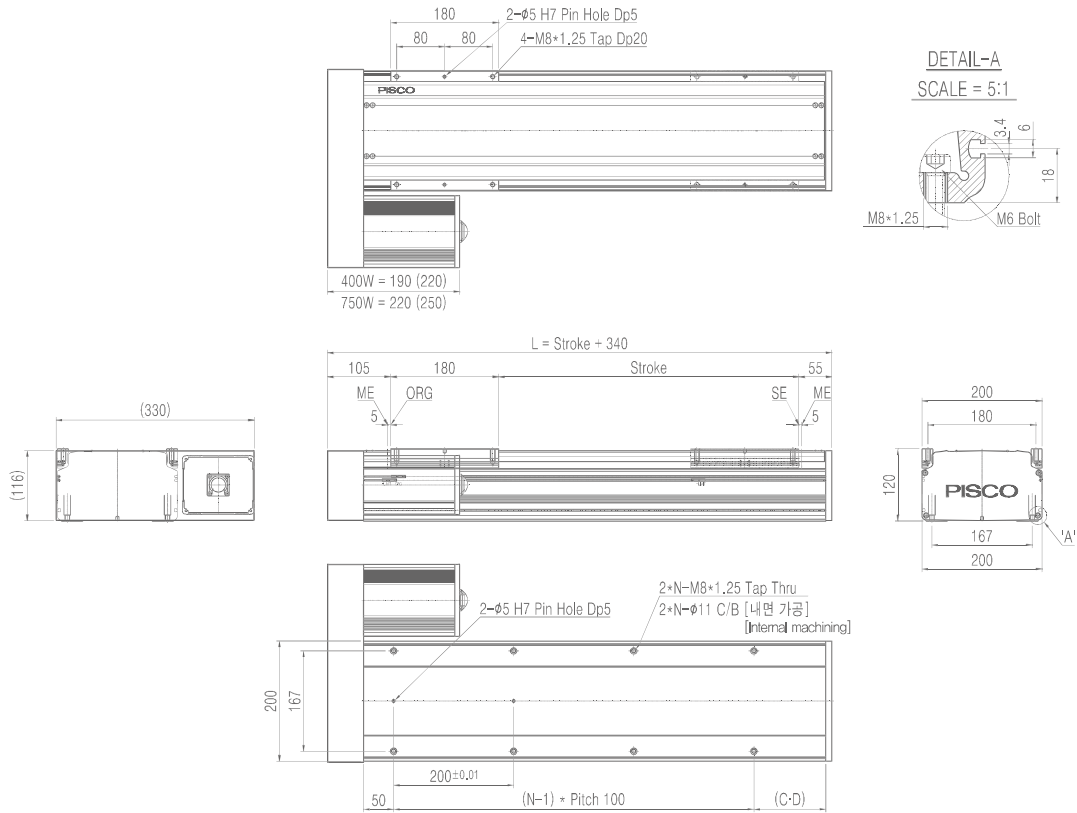


- PHRS Standard Robot Ball Screw Type
- PHRB
- PHRC
- PHRT
- PHM
- PSR
- PLR
- PSB/PHB
- Gearbox
- SBAC

치수도 Dimension (mm)

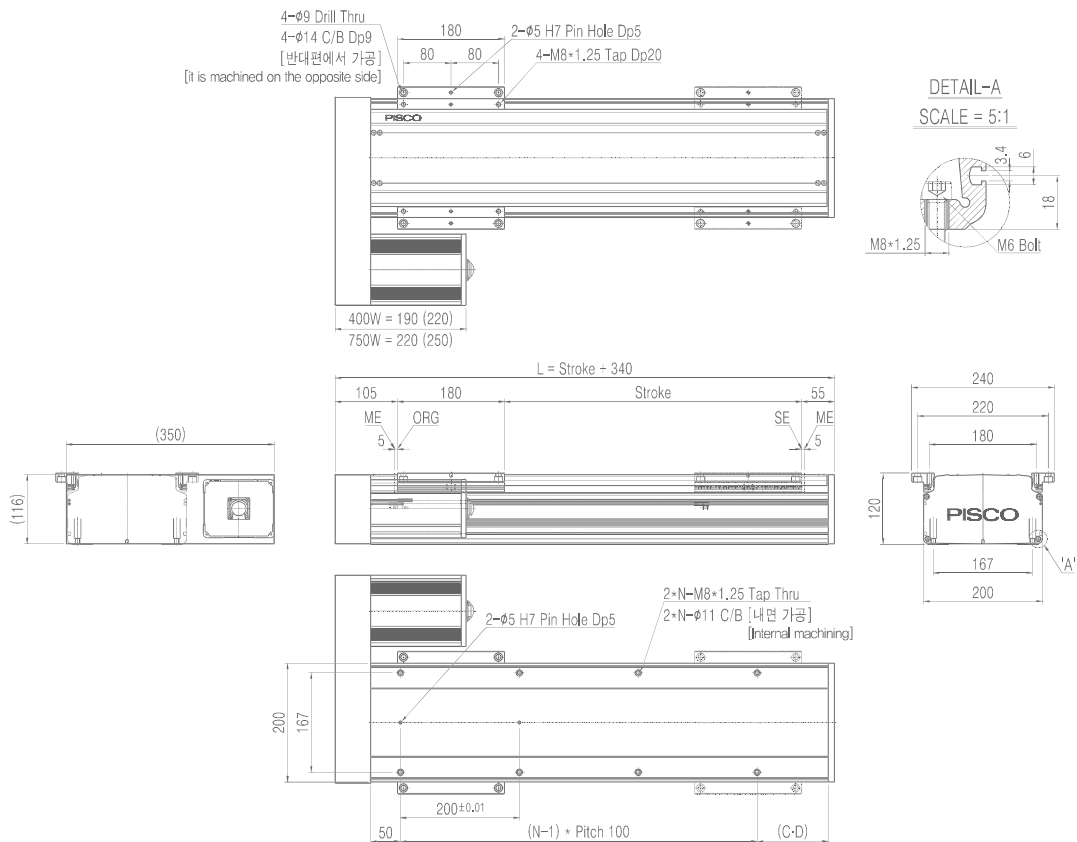
PHRS200-R1-40(75)

※ () Brake Motor Dimension

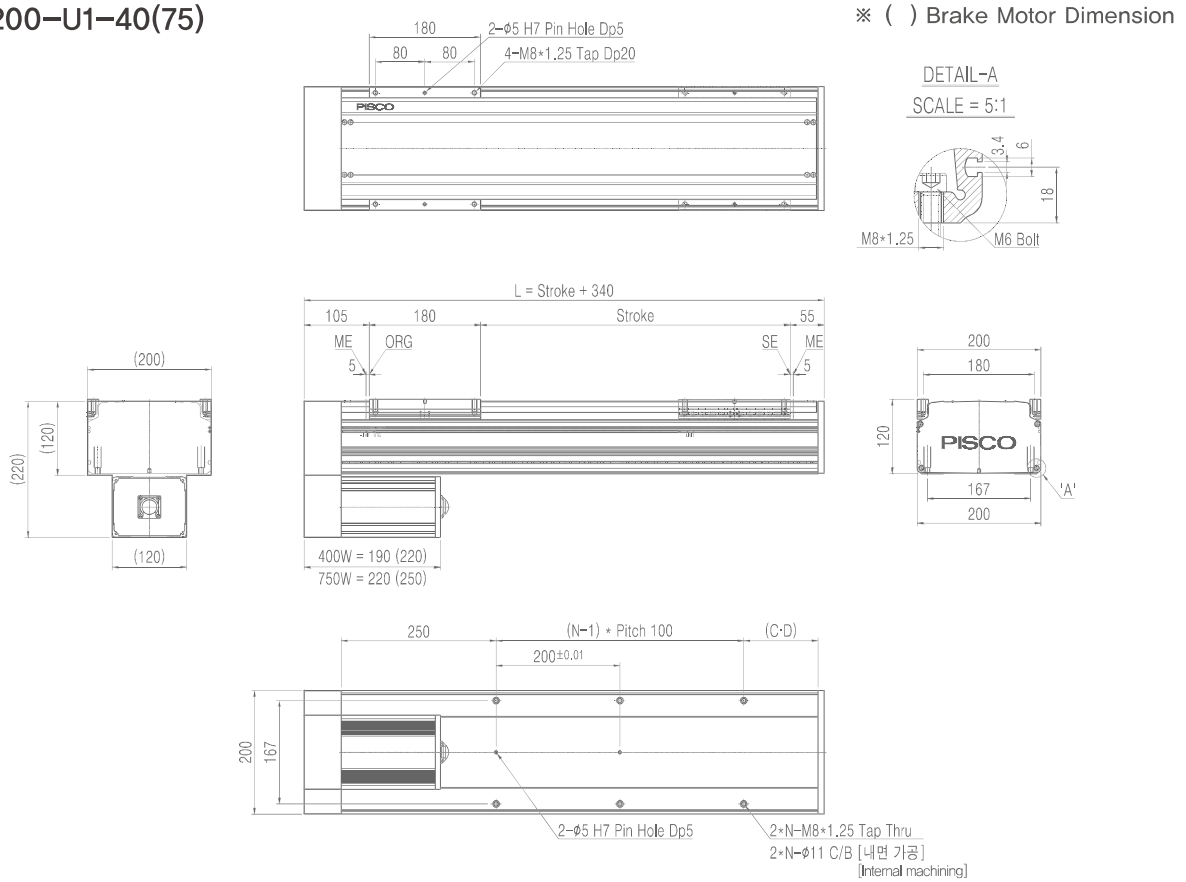


PHRS200-R2-40(75)

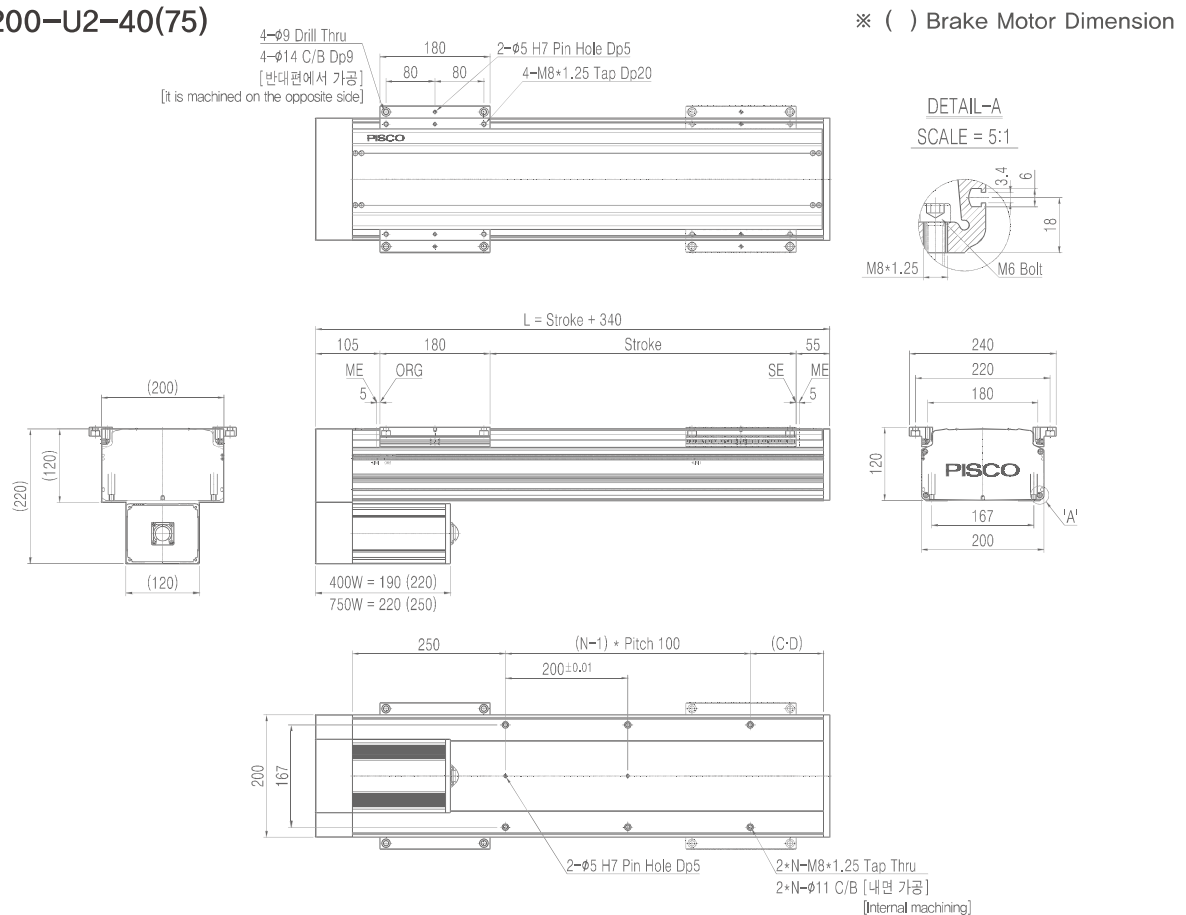
※ () Brake Motor Dimension



PHRS200-U1-40(75)



PHRS200-U2-40(75)



- PHRS Standard Robot Ball Screw Type
- PHRB
- PHRC
- PHRT
- PHM
- PSR
- PLR
- PSB/PHB
- Gearbox
- SBAC