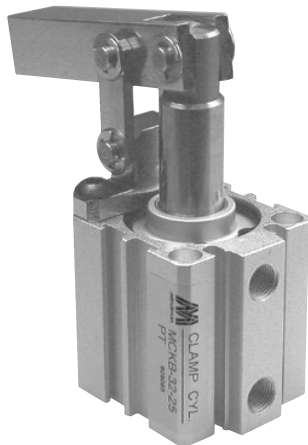


PCKB series



■ Specification

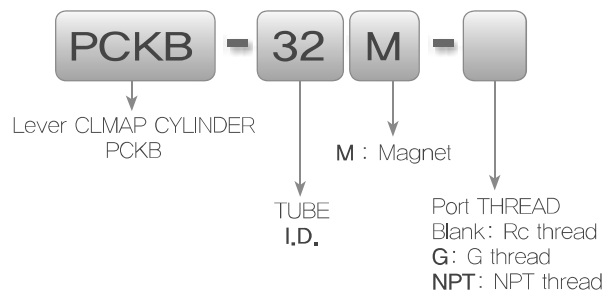
Model		PCKB
Acting type		Double acting
Tube I.D. (mm)		32
Port size		Rc1/8
Operating fluid		Air
Operating pressure range		0.1~1 MPa
Proof pressure		1.5 MPa
Ambient temperature		-5~+60°C (No freezing)
Lubrication	Cylinder	Not required
	Lever	Grease
Available speed range		50~500 mm/sec
Sensor switch (*)		RCB, RCE, RCE1, RDEP

* RCB, RCE, RCE1, RDEP specification, please refer to page 5-4, 6, 9.

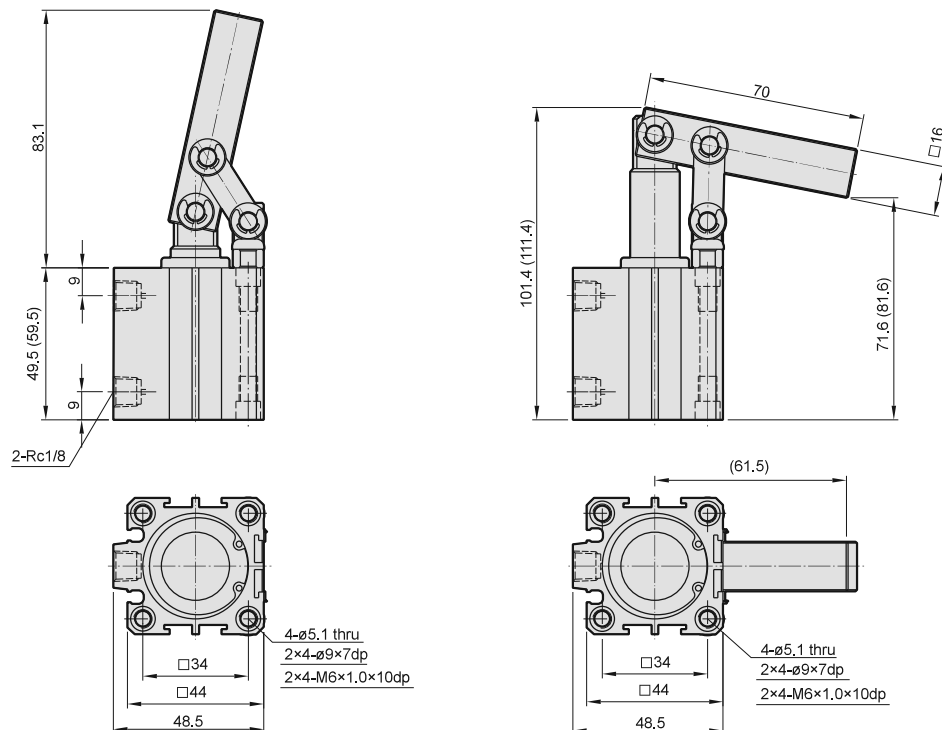
■ Features

- Lever type clamp cylinder gives high clamping force.
- Simple mounting of sensors on all four sides of body.
- Hard anodised body gives smooth lines and high corrosion resistance.

■ Order form (Example)

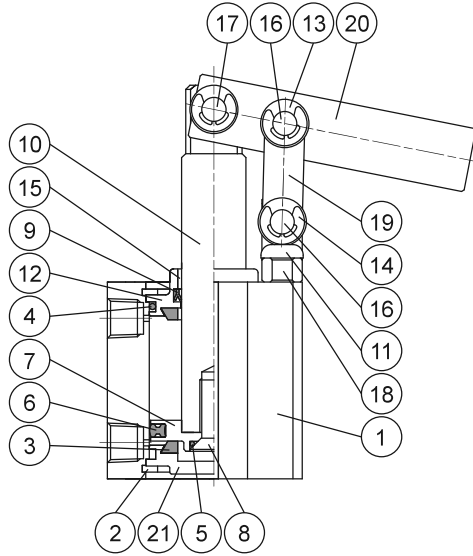


■ Dimensional drawing(mm)



*(): Dimension for with magnet.

Inside structure & Parts list



Order example of repair kits

Tube I.D.	Repair kits
ø32	PS-PCKB-32

Material

No.	Part name	Material	Q'y	Repair kits (inclusion)
1	Body	Aluminum alloy	1	
2	Snap ring	Spring steel	2	
3	Cushion	NBR	2	●
4	Cover gasket	NBR	2	●
5	Piston gasket	NBR	1	●
6	Piston packing	NBR	1	●
7	Piston	Aluminum alloy	1	
8	Piston bolt	SCM	1	
9	Rod packing	NBR	1	●
10	Piston rod	Carbon steel	1	
11	Screw	SCM	2	
12	Rod cover	Aluminum alloy	1	
13	Washer	Carbon steel	6	
14	Snap ring	Spring steel	6	
15	Rod bush	Bearing alloy	1	
16	Connecting pin	Stainless steel	2	
17	Lever pin	Stainless steel	1	
18	Holder	Carbon steel	1	
19	Connecting plate	Carbon steel	2	
20	Lever	Carbon steel	1	
21	Head cover	Aluminum alloy	1	

Installation of sensor switch

