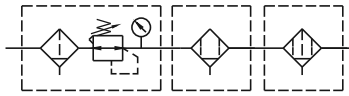


PATFR401 series AIR UNIT (F.R.UNIT)



Symbol



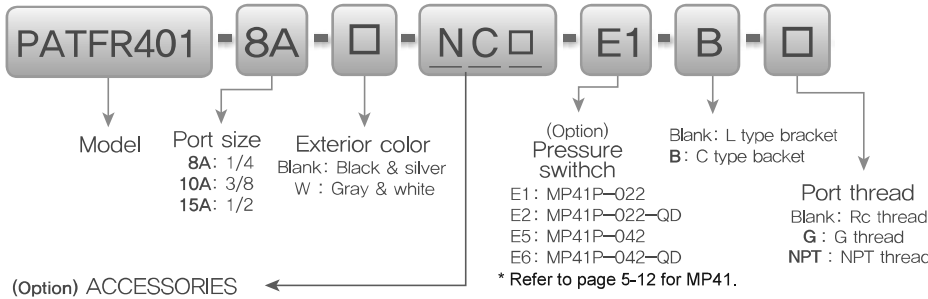
■ Specification

Model	PATFR401		
Bore No.	8A	10A	15A
Port size	1/4	3/8	1/2
Medium	Air		
Operating pressure range (*)	0.05~1.5 MPa		
Proof pressure	2 MPa		
Regulated pressure range	Standard type: 0.1~0.85 MPa		
	High pressure type: 0.1~1.5 MPa		
Ambient temperature	- 5~+60°C (No freezing)		
Filter element	5 μm+0.3 μm+0.01 μm		
Attachment	Pressure gauge (PG-20), L type bracket		
Weight	2106 g		

* Standard unit contains semi-auto-drain function when operating pressure below 0.05 MPa.

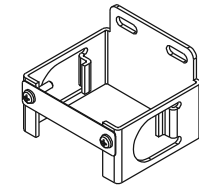
* Choose auto-drain FMRF300, the pressure range is 0.15~1 MPa.

■ Order example



■ Option accessories

C type bracket

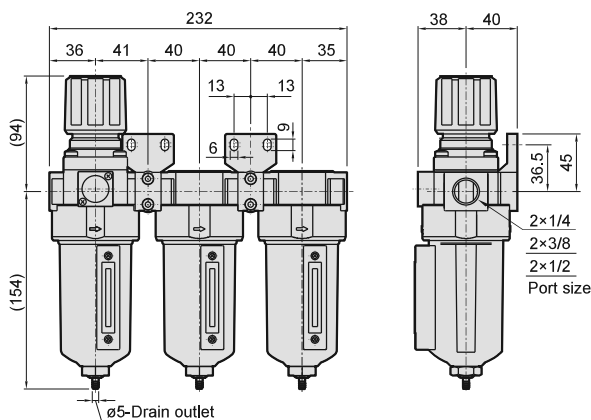


Type	Pressure gauge	Drain valve
Blank: Standard type	Blank: Pressure gauge (PG-20) C: External pressure gauge (PG-40) + Gauge adapter set (A-PAR401) A: Gauge adapter set (A-PAR401)	Blank: Semi-auto drain D: Auto drain valve (FMRF300)
H: High pressure type	C: External pressure gauge (PG-40) + Gauge adapter set (A-PAR401) A: Gauge adapter set (A-PAR401)	Blank: Semi-auto drain

* PG-40 (C), A-PAR302 (A) and MP41 (E*) can not be selected at the same time.

* Specification (W) gauge adapter set (A-PAR302).

PATFR401 L type bracket



PATFR401-B C type bracket

