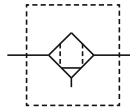


PAF302 D/M series AIR UNIT (MIST / MICRO MIST FILTER)

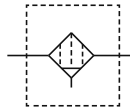
- PA302D is designed for removal of foreign matter as well as oil mist (Element: 0.3 μ m)
- PA302M is designed for removal of foreign matter as well as oil mist (Element: 0.01 μ m)



Symbol



D: 0.3 μ m



M: 0.01 μ m

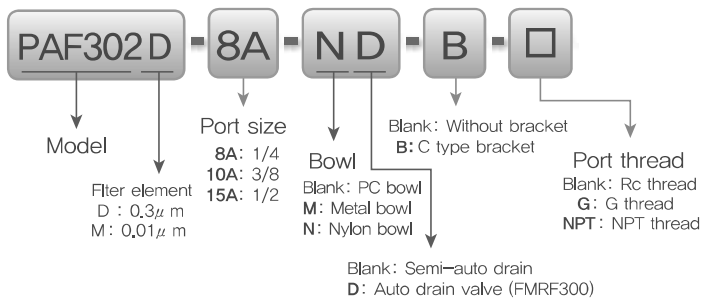
■ Specification

Model	PAF302D/M		
Bore No.	8A	10A	15A
Port size	1/4	3/8	1/2
Medium	Air		
Operating pressure range (*)	0.05~1 MPa		
Proof pressure	1.5 MPa		
Ambient temperature	- 5~+60°C (No freezing)		
Filter element	0.3 μ m, 0.01 μ m		
Drain capacity	35 cm ³		
Weight	365 g		

* Standard unit contains semi-auto-drain function when operating pressure below 0.05 MPa.

* Choose auto-drain FMRF300, the pressure range is 0.15~1 MPa.

■ Order example

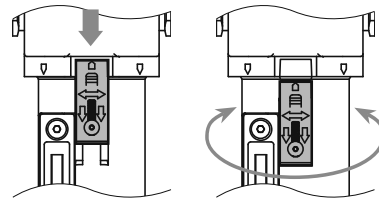


⚠ Caution

Metal bowl

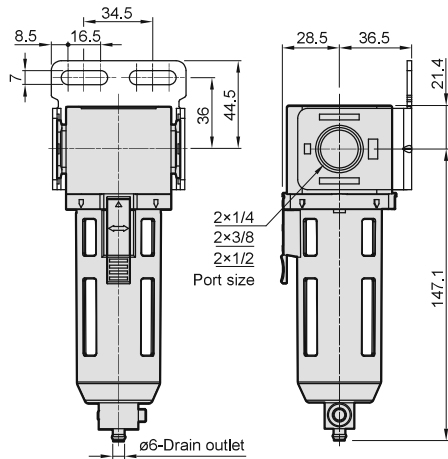
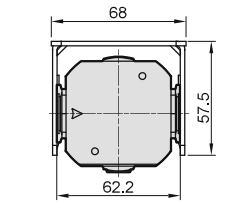
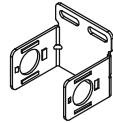
Before assembling or disassembling, push the lock plate down to the end, and confirm that it is detached from the body then rotate the bowl, otherwise the lock plate will be deformed or the body will be scratched.

1. Sliding plate down
2. Rotating the bowl



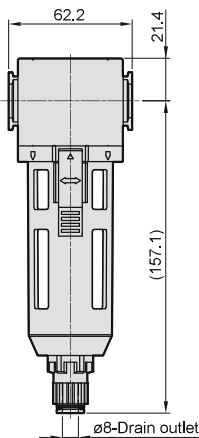
■ Option accessories

C type bracket



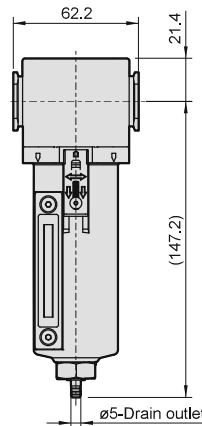
PAF302D/M-D

Auto drain valve



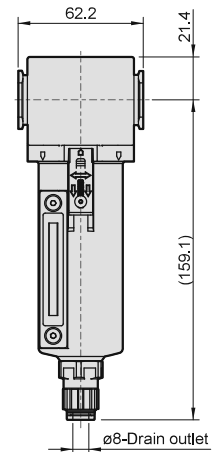
PAF302D/M-M

Metal bowl



PAF302D/M-MD

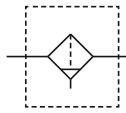
Metal bowl + Auto drain valve



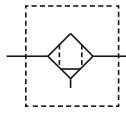
PAF401 A/D/M series AIR UNIT (AIR / MIST / MICRO MIST FILTER)



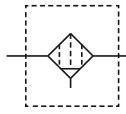
Symbol



A: 5µm



D: 0.3µm



M: 0.01µm

- PAF401A is designed for draining and removal of foreign matter. (Element: 5µm)
- PAF401D/M is designed for removal of foreign matter as well as oil mist (Element: 0.3µm / 0.01µm)

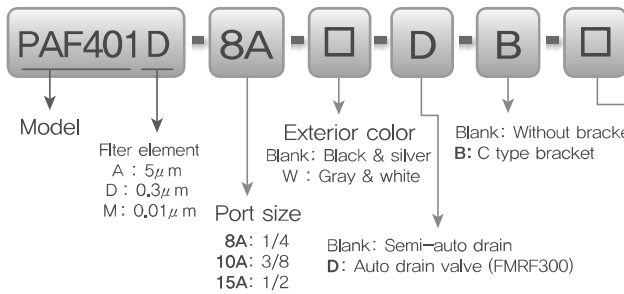
■ Specification

Model	PAF401A/D/M		
Bore No.	8A	10A	15A
Port size	1/4	3/8	1/2
Medium	Air		
Operating pressure range (*)	0.05~1.5 MPa		
Proof pressure	2 MPa		
Ambient temperature	- 5~+60°C (No freezing)		
Filter element	5 µm, 0.3 µm, 0.01 µm		
Drain capacity	70 cm ³		
Weight	480 g		

* Standard unit contains semi-auto-drain function when operating pressure below 0.05 MPa.

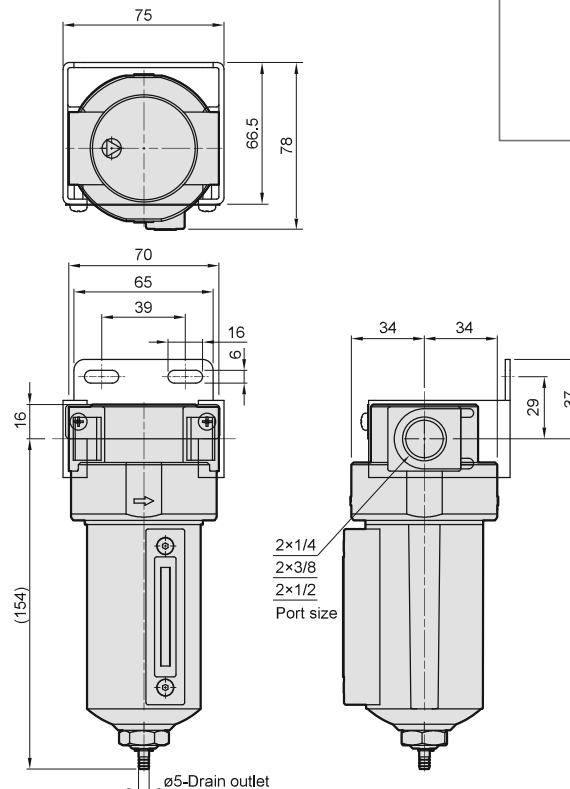
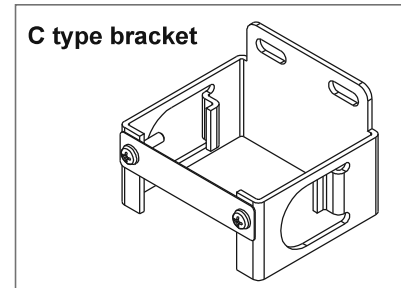
* Choose auto-drain FMRF300, the pressure range is 0.15~1 MPa.

■ Order example



■ Option accessories

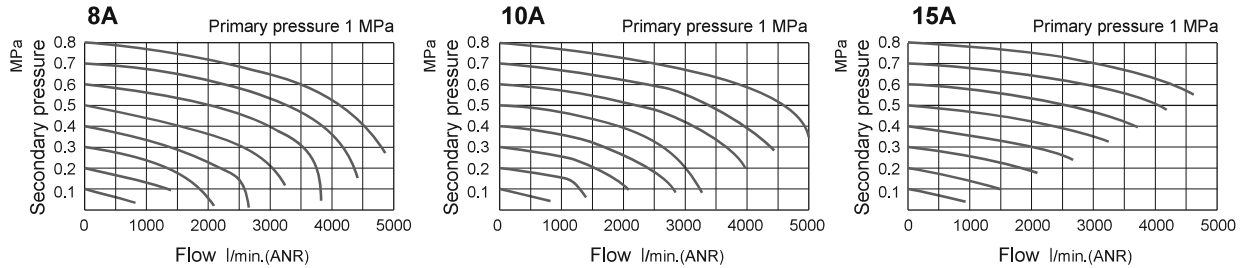
C type bracket



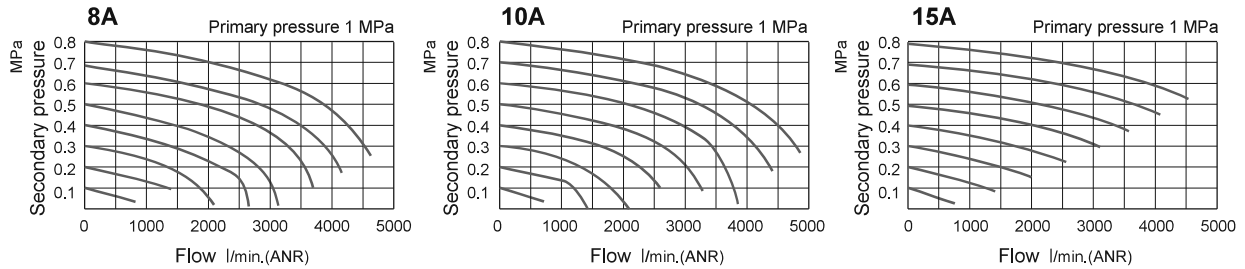
Capacity

■ Flow feature

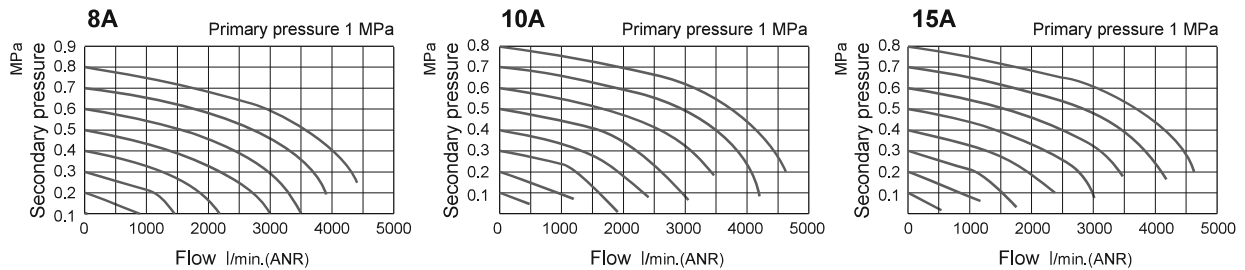
PAF401A (Filter element: 5 μm)



PAF401D (Filter element: 0.3 μm)



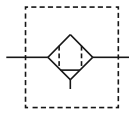
PAF401M (Filter element: 0.01 μm)



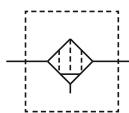
PAF501 D/M series AIR UNIT (MIST / MICRO MIST FILTER)



Symbol



D: 0.3 μ m



M: 0.01 μ m

■ Specification

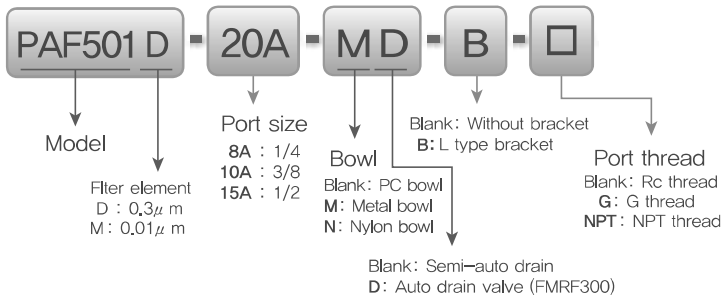
Model	PAF501D/M	
Bore No.	20A	25A
Port size	3/4	1
Medium	Air	
Operating pressure range (*)	Nylon bowl, PC bowl: 0.05~1 MPa	
	Metal bowl: 0.05~1.5 MPa	
Proof pressure	Nylon bowl, PC bowl: 1.5 MPa	
	Metal bowl: 2 MPa	
Ambient temperature	- 5~+60°C (No freezing)	
Filter element	0.3 μ m, 0.01 μ m	
Drain capacity	Nylon bowl, PC bowl: 75 cm ³	
	Metal bowl: 70 cm ³	
Weight	Nylon bowl, PC bowl: 1180g	
	Metal bowl: 1300g	

* Standard unit contains semi-auto-drain function when operating pressure below 0.05 MPa.

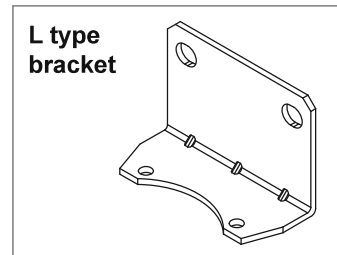
* Choose auto-drain FMRF300, the pressure range is 0.15~1 MPa.

* Replace filter element at least once per year or when pressure drop reaches 0.07 MPa.

■ Order example

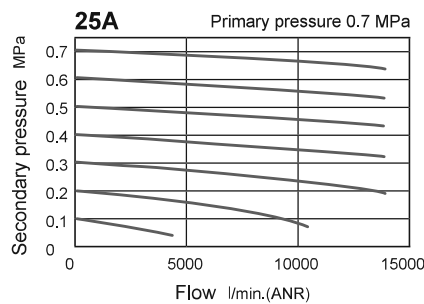
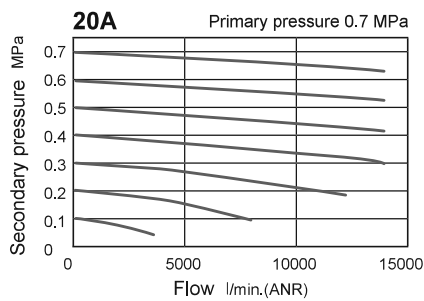


■ Option accessories

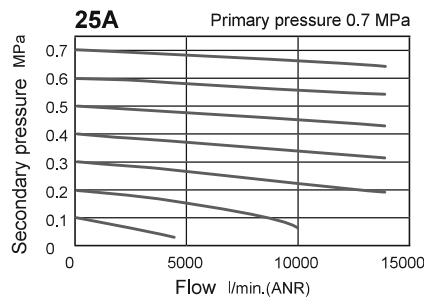
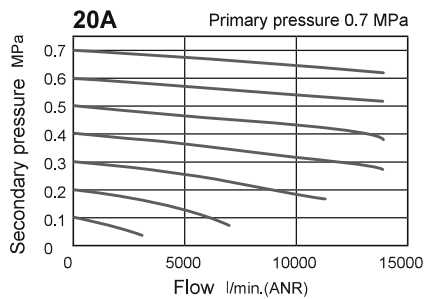


■ Flow feature

PAF501D (Filter element: 0.3 μ m)

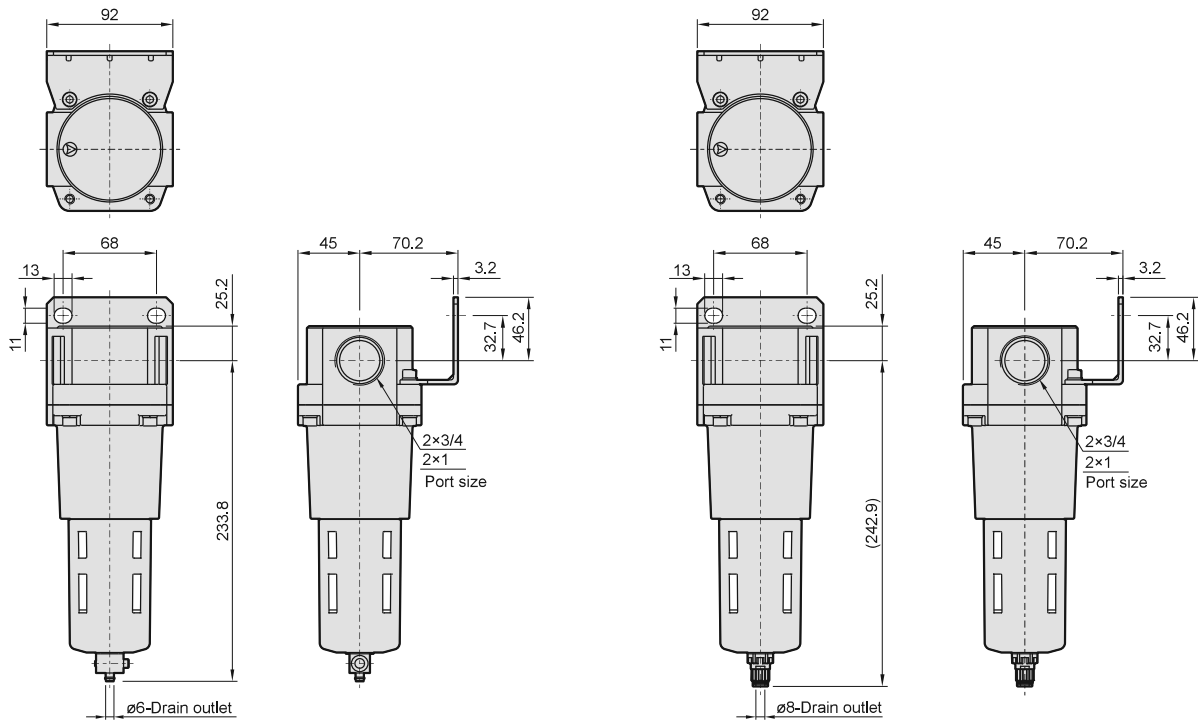


PAF501M (Filter element: 0.01 μ m)



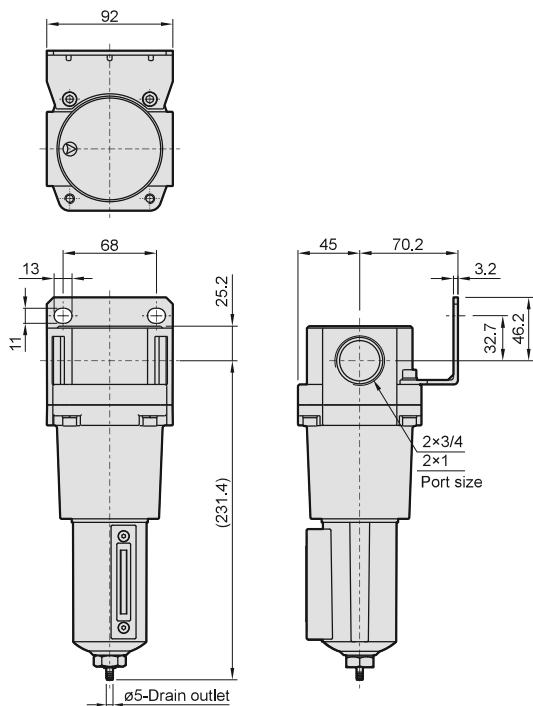
PAF501D/M-D

Auto drain valve



PAF501D/M-M

Metal bowl



PAF501D/M-MD

Metal bowl + auto drain valve

