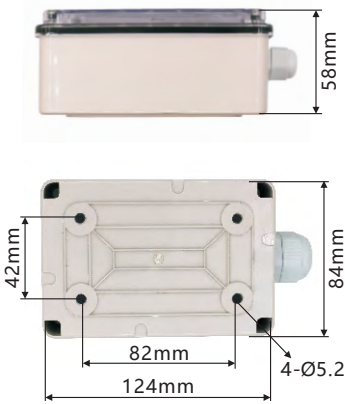
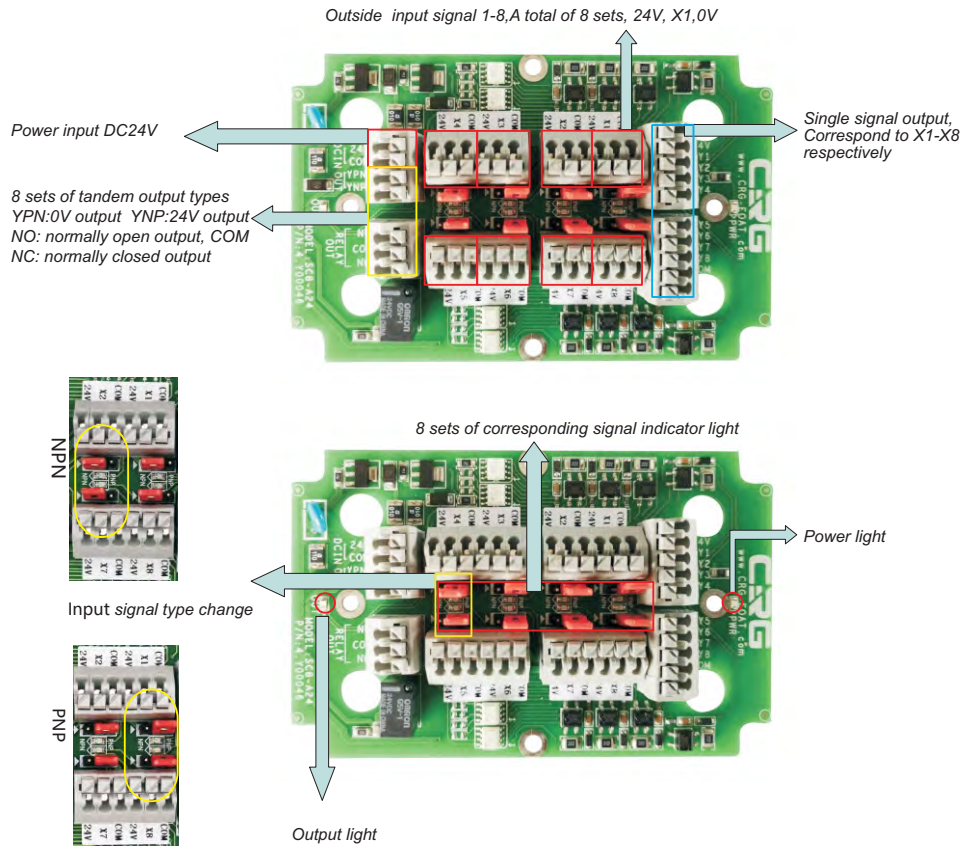


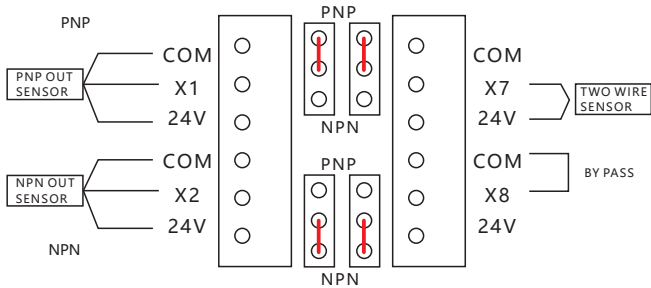
Structure description



PN	8.Y00087
Model	ASC-8A-B



Operation description



Electrical parameters

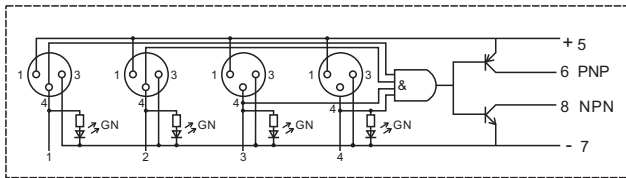
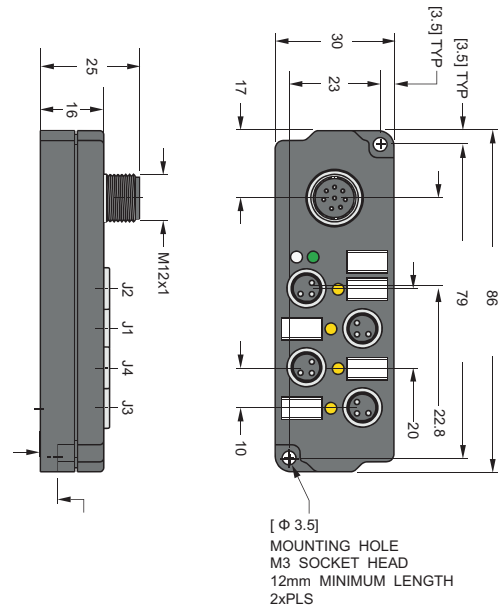
	Minimum	Recommend	Maximum	Unit
supply voltage	20	24	28	V
Value of effective current at input	5	7	10	mA
Transistor Output Maximum Load			100	mA
Relay Output Load Capability (Resistive Load)			0.5A@125VAC 1A@24VDC	
Maximum switching frequency		TBD		Hz

Function description

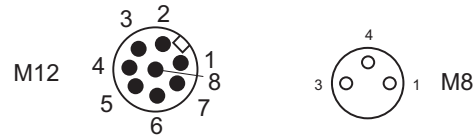
1. To solve the problem that the power supply of multiple sensors is not connected as one line, the problem of space occupation is cancelled. The maximum 8 groups can be used, and less than 8 groups need to be shorted.
2. Output types can be changed at present for NPN, PNP, NC, NO, and four output forms.
3. You can also crawl the signal individually, and grab the signal type for the actual type of sensor.
4. Observe the induction state of each inductor and the status of the output.
5. Types of sensors and output is not available, skipping type conversion, minus the replacement work of the sensor.

M8 4 ports Junction box

Housing material: Nylon/Black
 Coupling nut: Brass/Nicket
 Contact carrier: TPU/Black
 Pin: Brass/Gold
 IP degree: IP67
 Load: 10~30VDC, 2 A/port, 6 A total, LED 10mA
 Temperature range: -30...+80°C



AJB4M8-3P-M12



Joint



8 pins M12 Field wirable connector

3 pins M8 Field wirable connector

PN	1.Y07461
Model	ELK8112-0/9

PN	1.Y06722
Model	M8-M03T

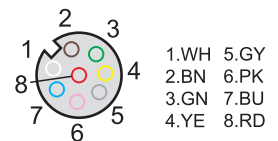


8 pins M12 pre-moulding Cable

货号(PN)	1.Y07462
型号(Model)	ELK8-2M/P00

Pinout

Female

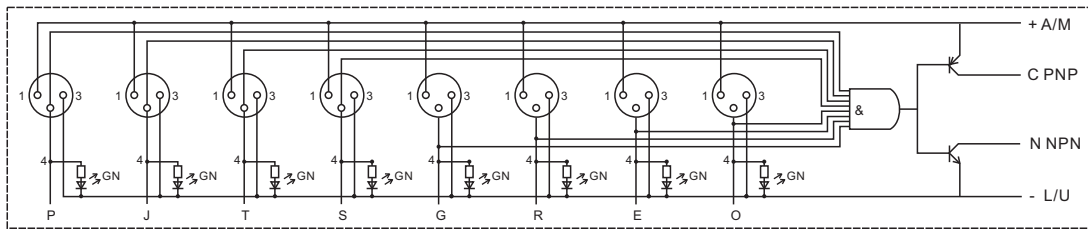
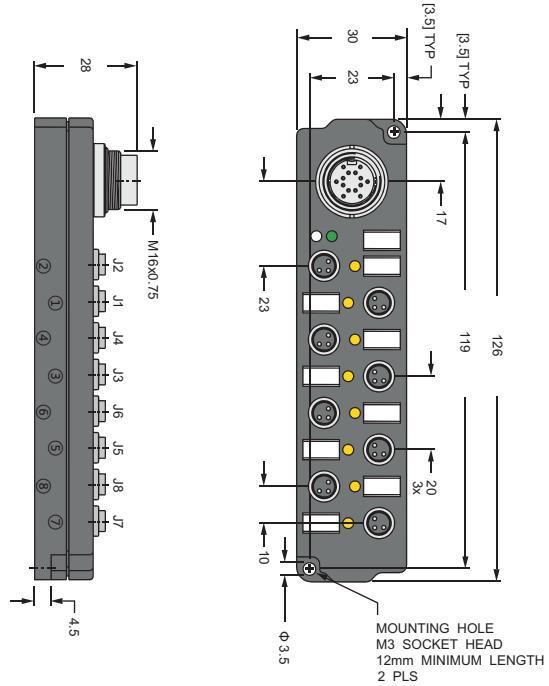


PN	Model	Type	Weight
4.Y00487	AJB4M8-3P-M12	PNP	110g
4.Y00488	AJB4M8-3N-M12	NPN	110g

Profile · SUS Tube
 Stents Module
 Quick Changer
 Grip Module
 Air Nipper
 Vacuum Module
 Accessory Components

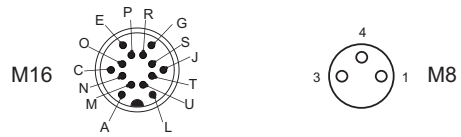
M8 8 ports Junction box

Housing material: Nylon/Black
 Coupling nut: Brass/Nicket
 Contact carrier: TPU/Black
 Pin: Brass/Gold
 IP degree: IP67
 Load: 10~30VDC, 2 A/port, 6 A total, LED 10mA
 Temperature range: -30...+80°C



AJB8M8-3P-M16

Single channel PNP or NPN
 1 signal per port
 LED
 M16 vertical connector



Joint



14 pins M16 pre-moulding Cable

PN	1.Y07463
Model	DNLK14-14-2M/P00

3 pins M8 Field wirable connector

PN	1.Y06722
Model	M8-M03T

Pinout

Female

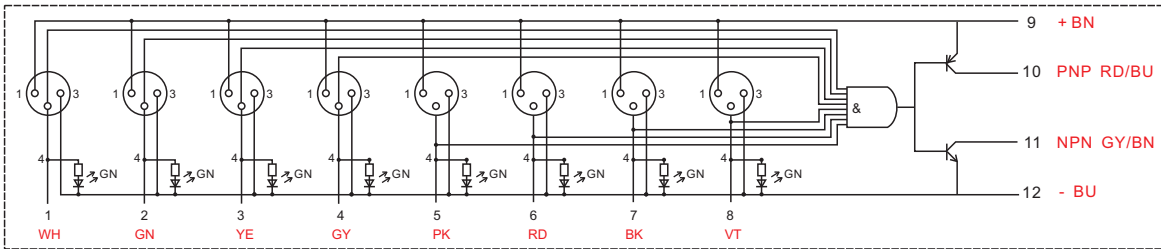
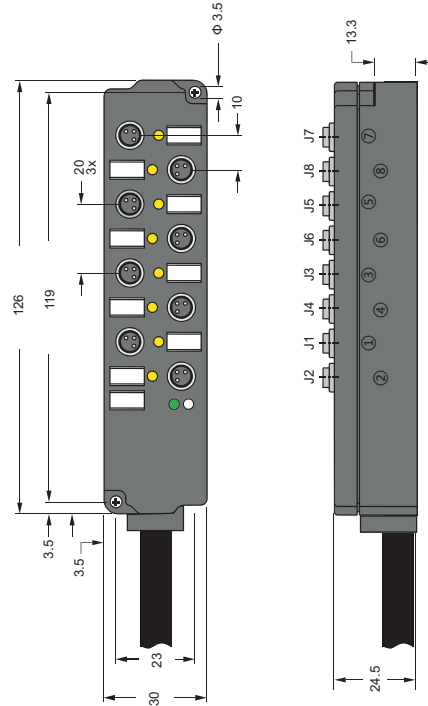


A. BN	N. GY/BN
C. RD/BU	O. VT
E. BK	P. WH
G. PK	R. RD
J. GN	S. GY
L. BU	T. YE
M. OR	U. TN

PN	Model	Type	Weight
4.Y00491	AJB8M8-3P-M16	PNP	120g
4.Y00492	AJB8M8-3N-M16	NPN	120g

M8 8 ports Junction box

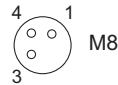
Housing material:Nylon/Black
 Coupling nut:Brass/Nicket
 Contact carrier:TPU/Black
 Pin:Brass/Gold
 IP degree:IP67
 Load:10~30VDC,2 A/port, 6 A total,LED 10mA
 Temperature range:-30...+80°C



AJB8M8-3P-D2

Joint

Single channel PNP or NPN
 1 signal per port
 LED
 Black PVC wire with 10 cores in 2m



Singal Wire Cross-sectional Sketch Map



- 1.WH
- 2.GN
- 3.YE
- 4.GY
- 5.PK
- 6.RD
- 7.BK
- 8.VT
- 9.BN
- 10.BU
- 11.RD/BU
- 12.GY/BN

3 pins M8 Field wirable connector

PN	1.Y06722
Model	M8-M03T

PN	Model	Type	Weight
4.Y00495	AJB8M8-3P-D2	PNP	300g
4.Y00496	AJB8M8-3N-D2	NPN	300g

* The standard length is 2 meters, which can be customized.

Profile · SUS Tube

Stents Module

Quick Changer

Grip Module

Air Nipper

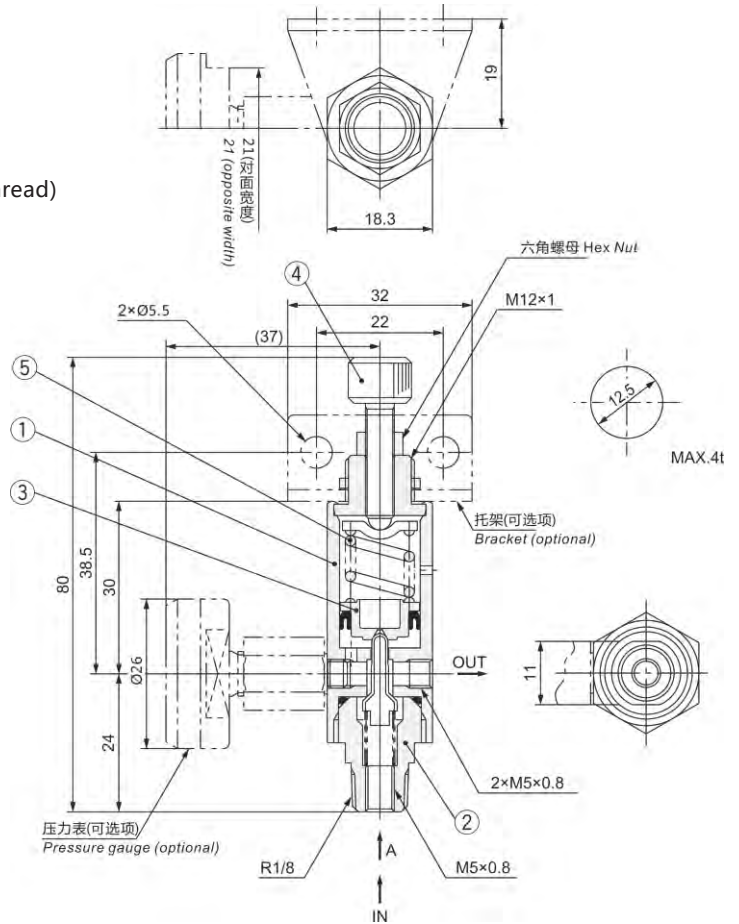
Vacuum Module

Accessory Components

Miniature Regulator

ARJ210 series

The body is made of aluminum, lightweight (60g)
IN side pipe connections are made with 1/8 (external thread)
M5 (internal thread) 2 types



PN		1.Y05877
Model		ARJ210-M5
Pipe Size	IN	1/8 (F-M5×0.8)
	OUT	M5×0.8
Fluid		Air
Proof pressure		1.2MPa
Maximum Operating pressure		0.8MPa
Set pressure range		0.2~0.7MPa 0.2MPa: 0.05~0.2MPa
Pressure gauge connecting caliber		M5×0.8
Environment and fluid temperature		-5~60°C
Weight		0.06

Tube Cutter



Special tool for cutting copper tube
Ease to use
Improve work efficiency
Durable,high-quality,weight (248g)

PN	1.Y02592
----	----------