

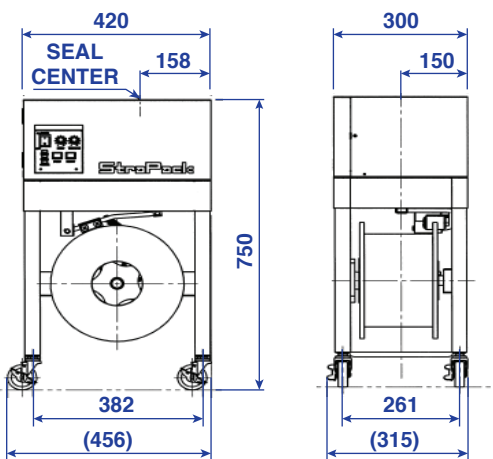
## Semi-Automatic Strapping Machine

Introducing the new iQ-400DT BANK, StraPack's new semi-automatic strapping machine with dual tension mode. This allows for a wide variety of applications with just a flick of a switch.



### iQ-400DT BANK

- The iQ-400DT BANK is a durable and heavy-duty strapping machine designed to withstand various harsh environments.
- The iQ-400DT BANK is yet amazingly quiet to operate and well suited for office use also.
- The iQ-400DT BANK has less moving parts, which makes it easy to maintain and keeps the operation cost low.
- All electric parts are arranged in one side of the machine, enclosed in the cabinet, for easy maintenance and protection of crucial parts.
- The iQ-400DT BANK runs strap from 5 millimeters to 15.5 millimeters (5/8 inches) without additional parts.
- The torque tension mode is suitable for stronger tension or to strap compressible packages, while the stroke tension mode is best for soft tension or quick operation.
- Tool-free access to frequently accessed areas for easy maintenance.



Dimension	Width	420 mm
	Height	950 mm ( with work guide )
	Depth	300 mm
	Weight	Approx 38 kg.
Table Height		750 mm
Min. Package Size		W 80 x H 30 mm
Joint / Strap / Coil		heat seal / polypropylene ID 110 x W 150 mm
Strap Width / Thickness		5, 6, 9, 12(15.5) mm / 0.45-0.7 mm
*Strap Tension		*Max. 300N ( 30 kgf ) or 150 mm stroke
Power Supply		200-240 V 1 Phase 50 / 60 Hz 0.47 kW

Dimensions and specifications are subject to change without notice.  
Modification rights reserved.

DISTRIBUTED BY:

 บริษัท นานดีอินเตอร์เทรด จำกัด  
**NANDEE INTER-TRADE CO., LTD.**

Tel : 0-2675-8230 (Auto), 0-2675-8240 (Auto)

Fax : 0-2212-1448, 0-2213-0360

f : [nandeeintertrade](https://www.facebook.com/nandeeintertrade)

LINE : [@nandeeintertrade](https://www.line.me/@nandeeintertrade)

✉ : [sales@nandee.co.th](mailto:sales@nandee.co.th)

🌐 : [www.nandee.co.th](http://www.nandee.co.th)

