

# New FLOW MONITOR Replaceable Flow Vane type

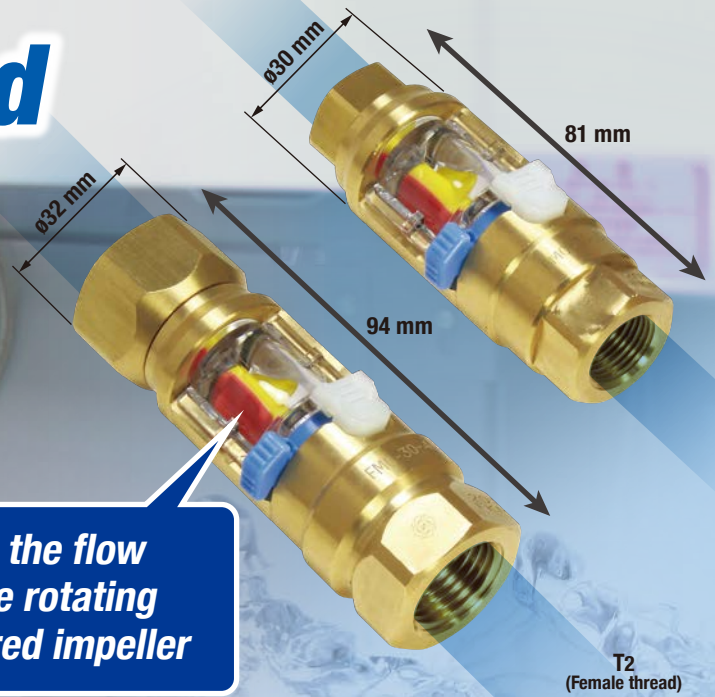
**The flow of cooling water can be checked at a glance.**

For low pressure

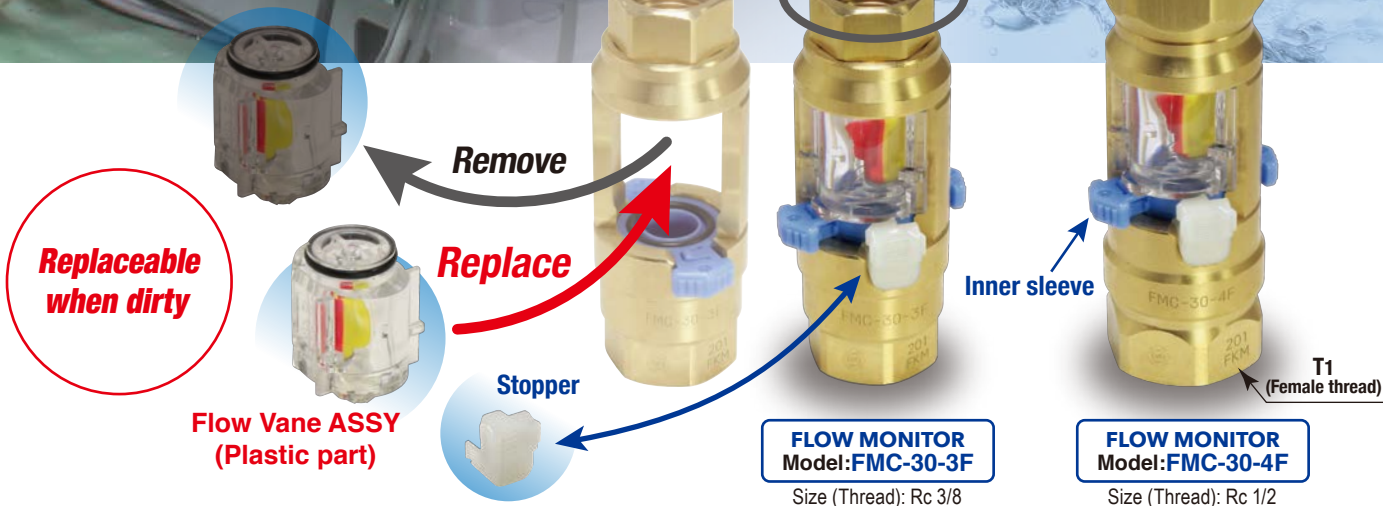
Applicable fluid \* **Water**

\*This product cannot be used for gas. If oil is used, the durability may reduce depending on the compatibility of the oil or additive with the plastic part. Please use the FLOW MONITOR after thorough evaluation.

This product is not "CUPLA".



**Check the flow with the rotating two-colored impeller**



**Replaceable when dirty**

## Visibility

Fluid flow from low flow rate (2 L/min) can be visually checked with the rotating two-colored impeller.

## Easy maintenance

Flow Vane ASSY can be replaced without removing it from the piping (both models).

## Safety

The stopper prevents unintended removal of the plastic parts.

## Easy installation

The installation and replacement is easy since the screw part of T2 side rotates freely to the left and right.

### Recommended replacement time of Flow Vane ASSY

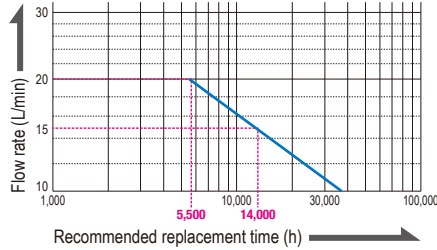


Flow Vane ASSY

If the Flow Vane ASSY is dirty or cloudy and the impeller is difficult to see, replace it regardless of the recommended replacement time.

The recommended replacement time for this product is calculated based on the amount of wear on the internal parts of the Flow Vane ASSY. Refer to the table below for the recommended replacement time.

\*The durability varies depending on the usage environment and conditions. (pressure, temperature, etc.)

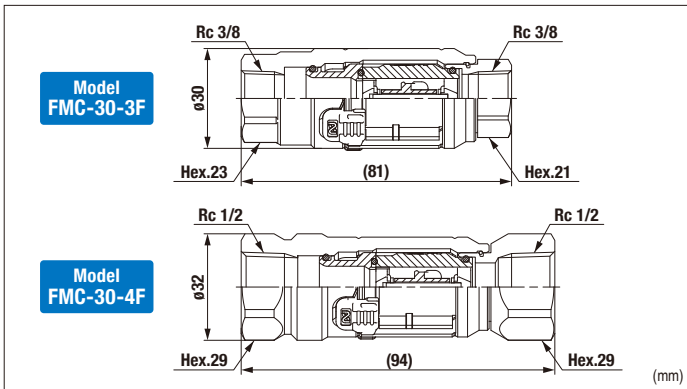


### Flow Direction

Fluid flow can be bi-directional.



### Models and Dimensions



### Specifications

Model	FMC-30-3F	FMC-30-4F
Size (Thread)	Rc 3/8	Rc 1/2
Body material	Brass	
Flow Vane ASSY material (Plastic part)	Outer cylinder	Polycarbonate
	Impeller	Polypropylene
	Inner sleeve, Stopper	Polyamide
Working pressure <sup>1</sup>	1.0 MPa, 10 kgf/cm <sup>2</sup> , 10 bar, 145 PSI	
Working flow range	2 to 20 L/min	
Seal material (Mark)	Fluoro rubber (FKM)	
Working temperature range <sup>2</sup>	+10°C to +80°C	
Mass	167 g	256 g

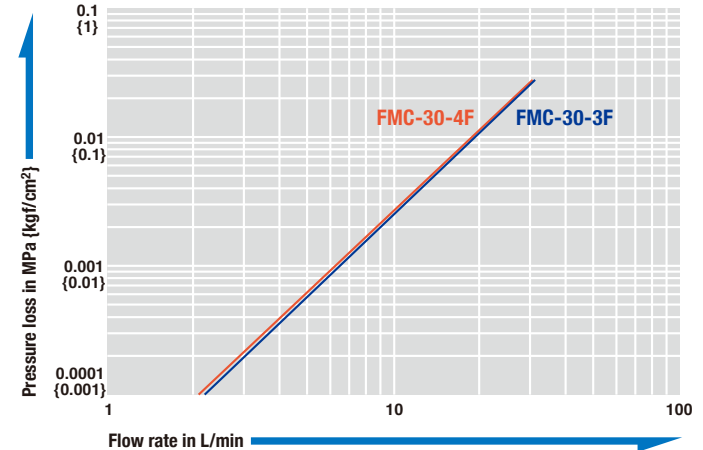
### Maximum Tightening Torque

Nm {kgf·cm}

Size (Thread)	Rc 3/8	Rc 1/2
Torque	12 {122}	30 {306}

### Flow Rate – Pressure Loss Characteristics

[Test conditions] - Fluid : Water - Temperature : 23°C



For low pressure

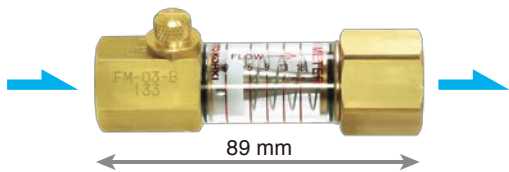
Applicable fluid

Water

For stable and accurate coolant flow rate.

# FLOW METER

CUPLA related product / Flow meter with special valve



Fluid must flow in the direction of the arrows.

\*Plastic part (graduated tube) cannot be replaced. This product is not "CUPLA".

### Specifications

Model	FM-03-B
Size (Thread)	Rc 3/8
Body material	Brass
Graduated tube material	Polycarbonate
Working pressure <sup>1</sup>	0.5 MPa, 5 kgf/cm <sup>2</sup> , 5 bar, 72.5 PSI
Working flow range	5 to 18 L/min
Seal material (Mark)	Nitrile rubber (NBR)
Working temperature range <sup>2</sup>	+10°C to +60°C
Mass	190 g

### Maximum Tightening Torque

Nm {kgf·cm}

Torque	11 {112}
--------	----------

\*1: The normal allowable fluid pressure under continuous use.  
Continuously exceeding the working pressure may cause leakage or damage.

\*2: The working temperature range depends upon the operating conditions.

### Safety Guide

Read without fail and observe the "Instruction sheet" that comes with the product and the following pages in the Quick Connect Couplings General Catalog; [Precautions Relating to the Use of All CUPLA].

NITTO KOHKI CO., LTD.

Head Office

9-4, Nakaikogami 2-chome, Ohta-ku, Tokyo 146-8555, Japan

Tel : +81-3-3755-1111 Fax : +81-3-3753-8791

E-mail : overseas@nitto-kohki.co.jp

Web [www.nitto-kohki.co.jp/e/](http://www.nitto-kohki.co.jp/e/)



ISO9001  
JQA-2025  
ISO14001  
JQA-EM4057  
H.Q./R&D Lab

DISTRIBUTED BY



บริษัท นานดีอินเตอร์เทรด จำกัด  
NANDEE INTER-TRADE CO., LTD.

314,316,318,320,322 ซอยจันทน์ 32 ถนนจันทน์ แขวงทุ่งวัดดอน เขตสาทร กทม. 10120

Tel : 0-2675-8230 (Auto), 0-2675-8240 (Auto) Fax : 0-2212-1448, 0-2213-0360

E-mail: [info@nandee.co.th](mailto:info@nandee.co.th) <http://www.nandee.co.th>



@nandeeintertrade



nandeeintertrade



[www.nandee.co.th](http://www.nandee.co.th)