

Complex gripper, flexible assembly



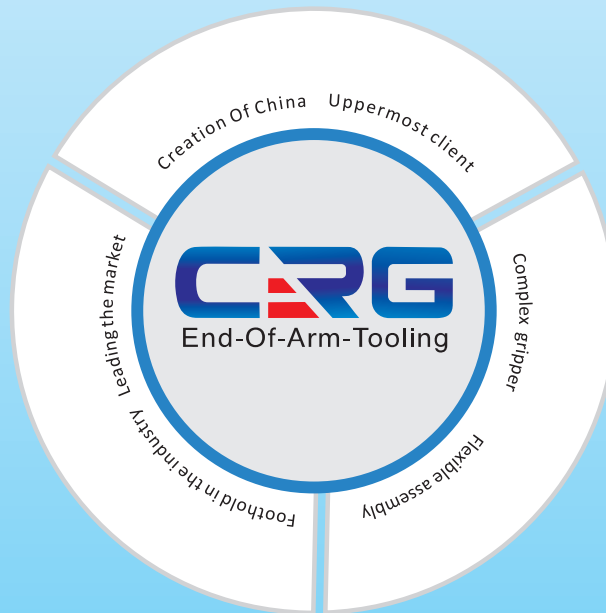
4.0

ROBOTICS PARTS CATALOG





CRG has been involving in EOAT design, development, sale and service. We have been operating in the field of injection automation for more than ten years. Base on module design concept, to makes automation design simpler、 more flexible and more reliable.



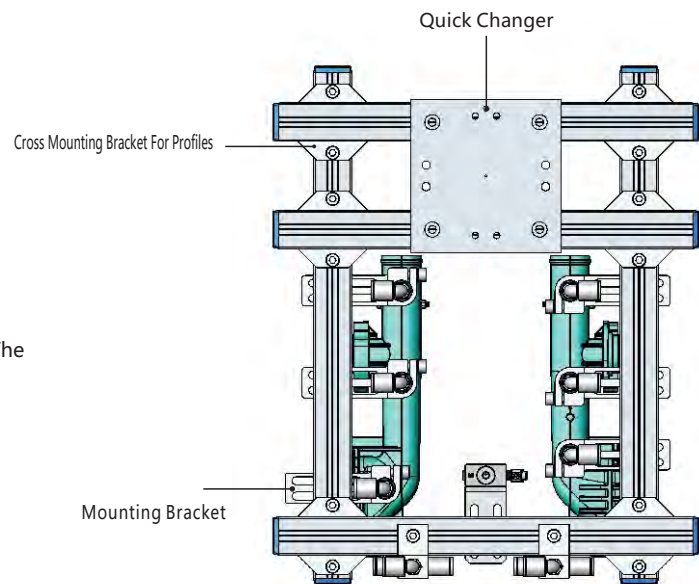
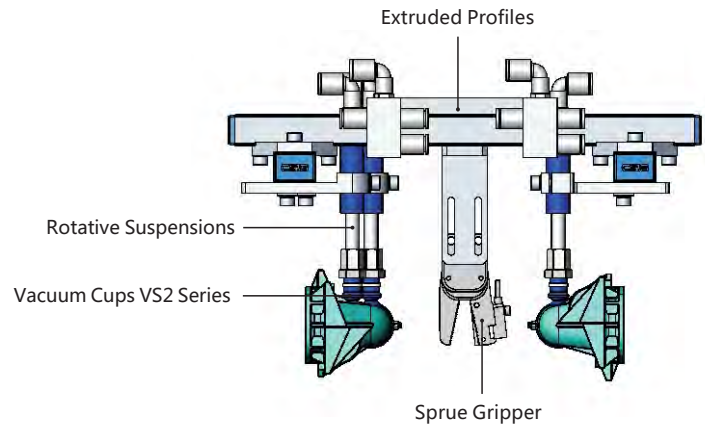
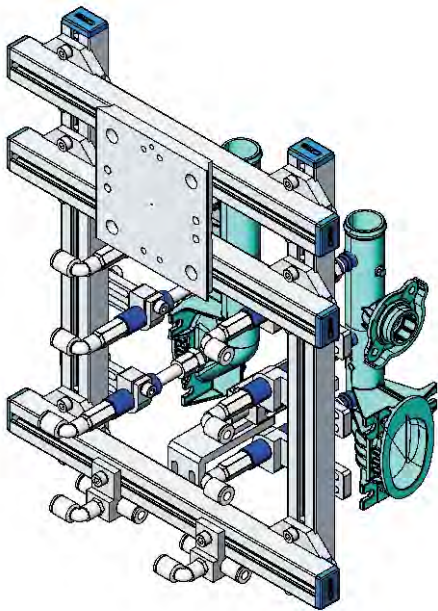
An innovative enterprise; a company specializing in automation technology; a trusted partner.

Operation Concept :Repeating simple things , you are the expert. Repeating what you do attentively,and you will be the winner.

Sales Idea :To provide customers with the best service, so that customers worry free.

Application examples

Base Frame



Product Description:

Two caves in one mold.

Take product out with vacuum cup;

Take sprue gate out with sprue gripper.

Gas circuit divides into two suction and one gripping. The weight is about 2 kg.

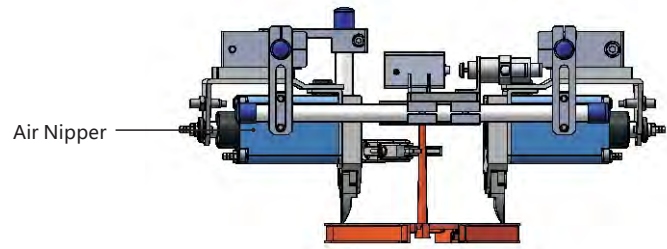
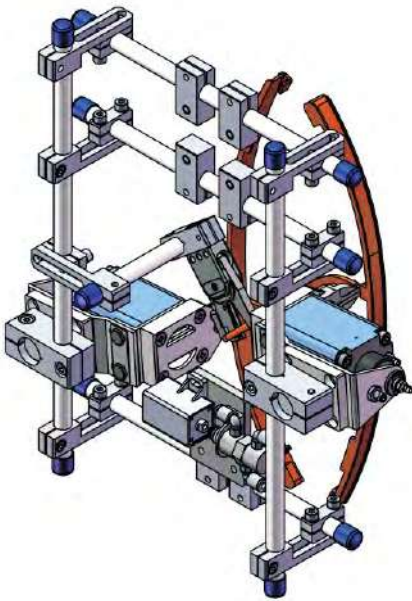
BOM List

(Product Name)	(PN)	(Model)	(Quantity)	(Product Name)	(PN)	(Model)	(Quantity)
Quick Changer	7.Y00175	QCS-G100	1	Rotative Suspensions	8.Y00061	VFR1421-G18	6
Sprue Gripper	8.Y00050	GR12-12-CP	1	Mounting Bracket	7.Y00200	SMBE1-1440T	6
Plugs for profile	4.Y00069	PEP2518	10	Connector	1.Y02510	APF-M5	2
Cross Mounting Bracket For Profiles	7.Y00194	SMBA-2525T	6	Side Manifold Block	7.Y00157	SMB-06M5	2
Extruded Profiles	4.Y00455	PEP2518-1000	2	L-type Threaded Hose Fitting	1.Y02722	APL6-01	8
Vacuum Cups VS2 Series	1.Y03085	VS2-SA11	6	Straight Threaded Hose Fitting	1.Y02725	APC6-01	6
Vacuum Cup Fitting	7.Y00703	VM-02-G18	6				

The list contains only CRG standard parts.

Application examples

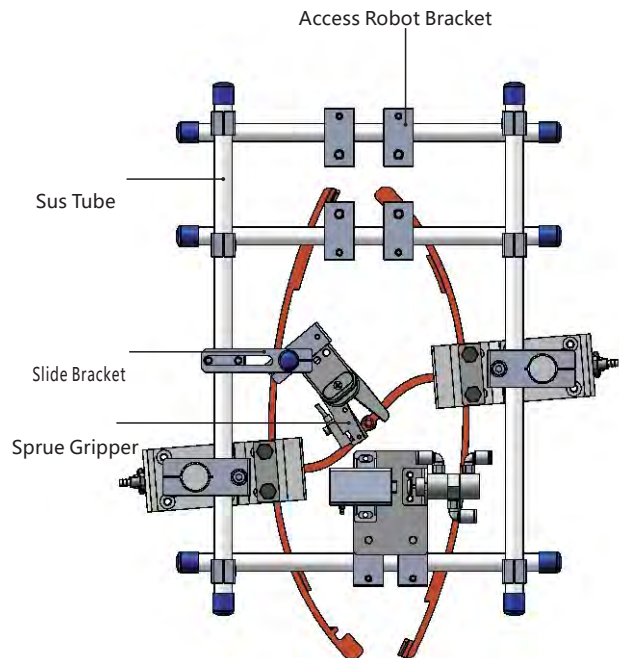
Base Frame



Product Description:

Two cavities in one mould; Taking products out and clamping the sprue by sprue gripper.

The weight is about 1.5 kg.



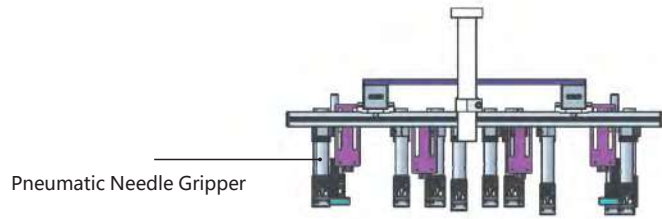
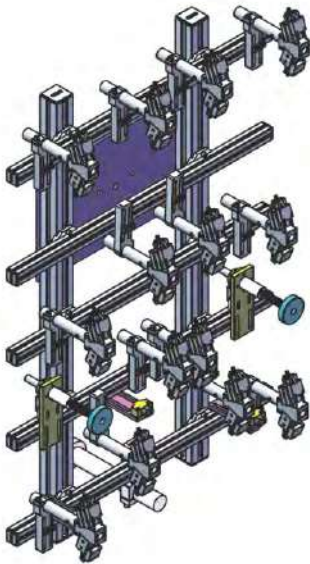
BOM List

(Product Name)	(PN)	(Model)	(Quantity)	(Product Name)	(PN)	(Model)	(Quantity)
Sus Tube	4.Y00021	PST12-1500	2	Access Robot Bracket	7.Y00002	SMBH1-12M6	6
Air Nipper	1.Y00004	GT-NY25	2	L-type Threaded Hose Fitting	1.Y02809	APL6-M5	3
Straight blades for plastic	1.Y00037	NY25AJ	2	Slide Bracket	7.Y00004	SCF4-1240W16	7
Fixing Block	7.Y00633	SCE2-25	2	Slide Bracket	7.Y00001	SMBS-12T16	7
Tube Plugs	1.Y03638	PST12-1500	11	Sprue Gripper	8.Y00091	GR12-12-CN	1
Cross Connector	7.Y00027	SMBT-2012	2	Cross Connector	7.Y00020	SMBT-1212	1

The list contains only CRG standard parts.

Application examples

Base Frame

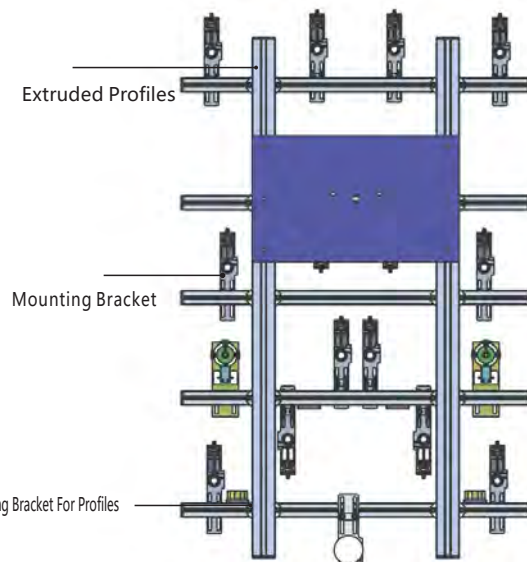


Product Description:

Two cavities in one mould; Take out or embed the insert (Non-woven fabric) by pneumatic needle gripper;

The gas circuit is divided into two paths; one cavity is one path.

Weight: 7 kg



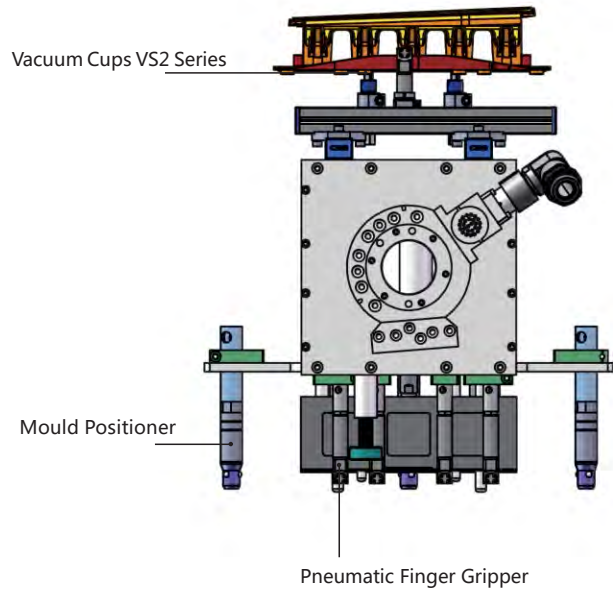
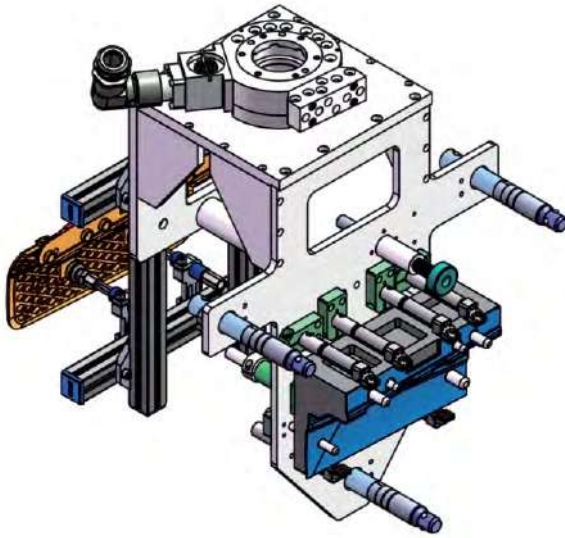
BOM List

(Product Name)	(PN)	(Model)	(Quantity)	(Product Name)	(PN)	(Model)	(Quantity)
Extruded Profiles	4.Y00052	PEP4040-1000	2	Cross Mounting Bracket For Profiles	7.Y00356-T	SMBA-2540T	10
Plugs for profile	4.Y00072	PEP4040	4	Pneumatic Needle Gripper	8.Y00025	GN2010	14
Extruded Profiles	4.Y00481	PEP2525-1500	2	Mounting Bracket	7.Y00308-T	SMBE2-2060T	14
Extruded Profiles	4.Y00481	PEP2525-1000	1	Mounting Bracket	7.Y00309-T	SMBE2-3060T	1
Plugs for profile	4.Y00070	PEP2525	10				

The list contains only CRG standard parts.

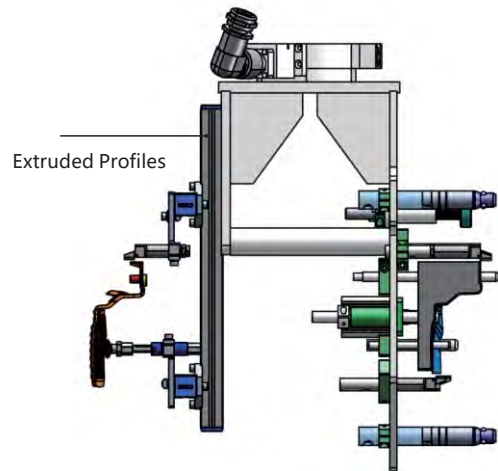
Application examples

Base Frame



Product Description:

One cavity in one mould; Take out on one side ; embed on the other side;One side: Taken out by vacuum cup and one finger angular pneumatic gripper; The gas circuit is divided into two paths including vacuum cups and one finger angular pneumatic gripper; The other side: Profile modeling; Take out or embed by one finger angular pneumatic gripper; The gas circuit is divided into three paths including path of cylinder, path of one finger angular pneumatic gripper and path of mould positioner; Weight: 9Kg



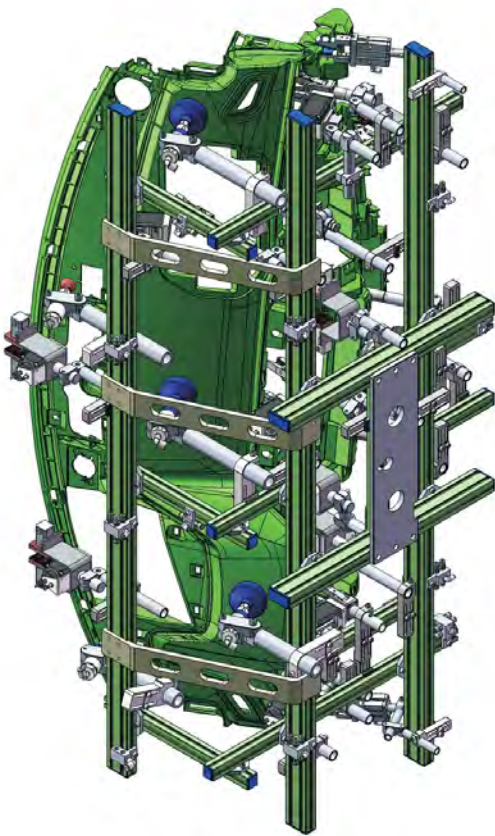
BOM List

(Product Name)	(PN)	(Model)	(Quantity)	(Product Name)	(PN)	(Model)	(Quantity)
Extruded Profiles	4.Y00481	PEP2525-1500	1	Pneumatic Finger Gripper	8.Y00084	GFR14-95G	7
Plugs for profile	4.Y00070	PEP2525	8	Extension Tube	7.Y00733	SMBY14-50	6
Mould Positioner	8.Y00088	GMP20A	3	Mounting Bracket	7.Y00200-T	SMBE1-1440T	3
Vacuum Cups VS2 Series	1.Y05310	VS2-SA20	2	Cross Mounting Bracket For Profiles	7.Y00194-T	SMBA-2525T	4
Rotative Suspensions	8.Y00061	VFR1421-G18	2	Vacuum Cup Fitting	7.Y00703	VM02-G18	2

The list contains only CRG standard parts.

Application examples

Base Frame



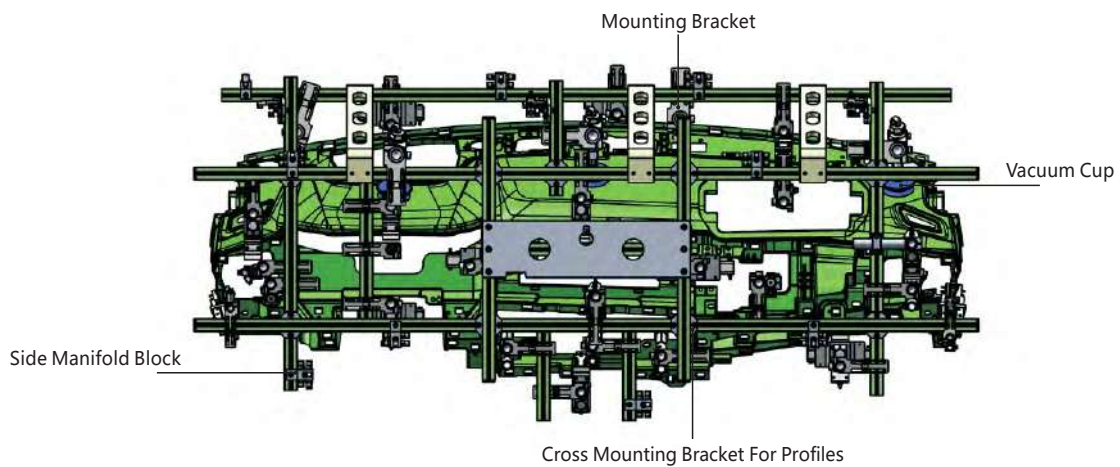
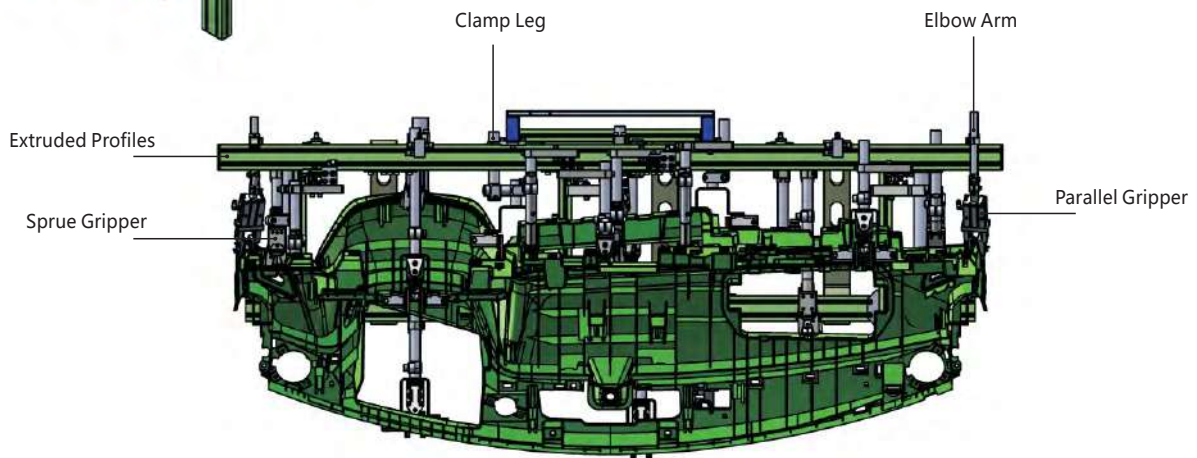
Product Description:

Name of fixture: Fixture of take out for instrument panel
Machine tonnage: 2700T

Weight of fixture: 25kg

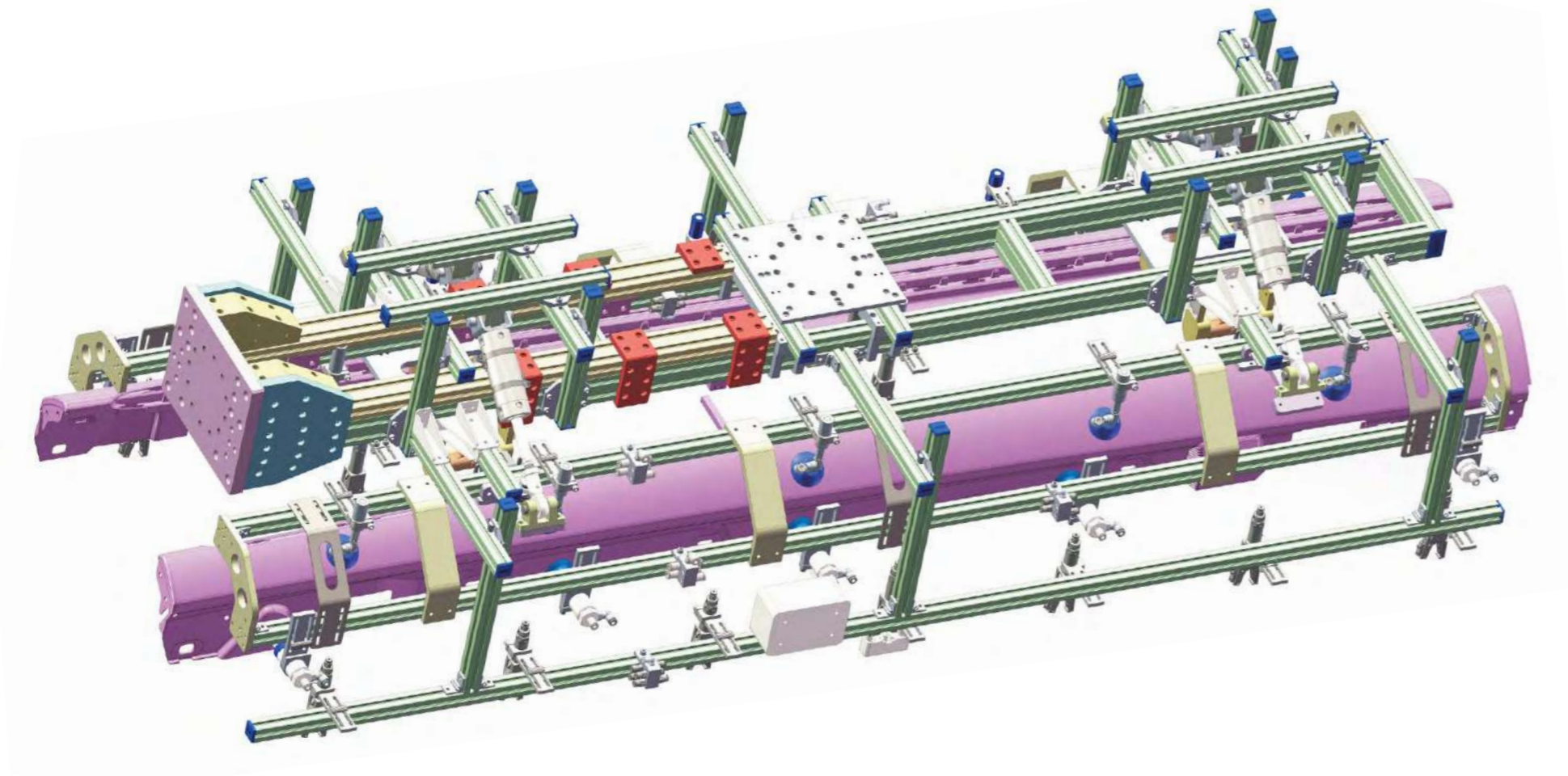
Sprue quantity: 11

Due to the short molding cycle, the product needs to be taken out and cut in the mold, and the shear accuracy is required to be within 0.3mm. The fixture adopts non-marking suction cups, the clamp interface adopts soft rubber pad, and the angle can be adjust by multifunctional to make elbow arm complete the clamping.



Application examples

Base Frame



Product Description:

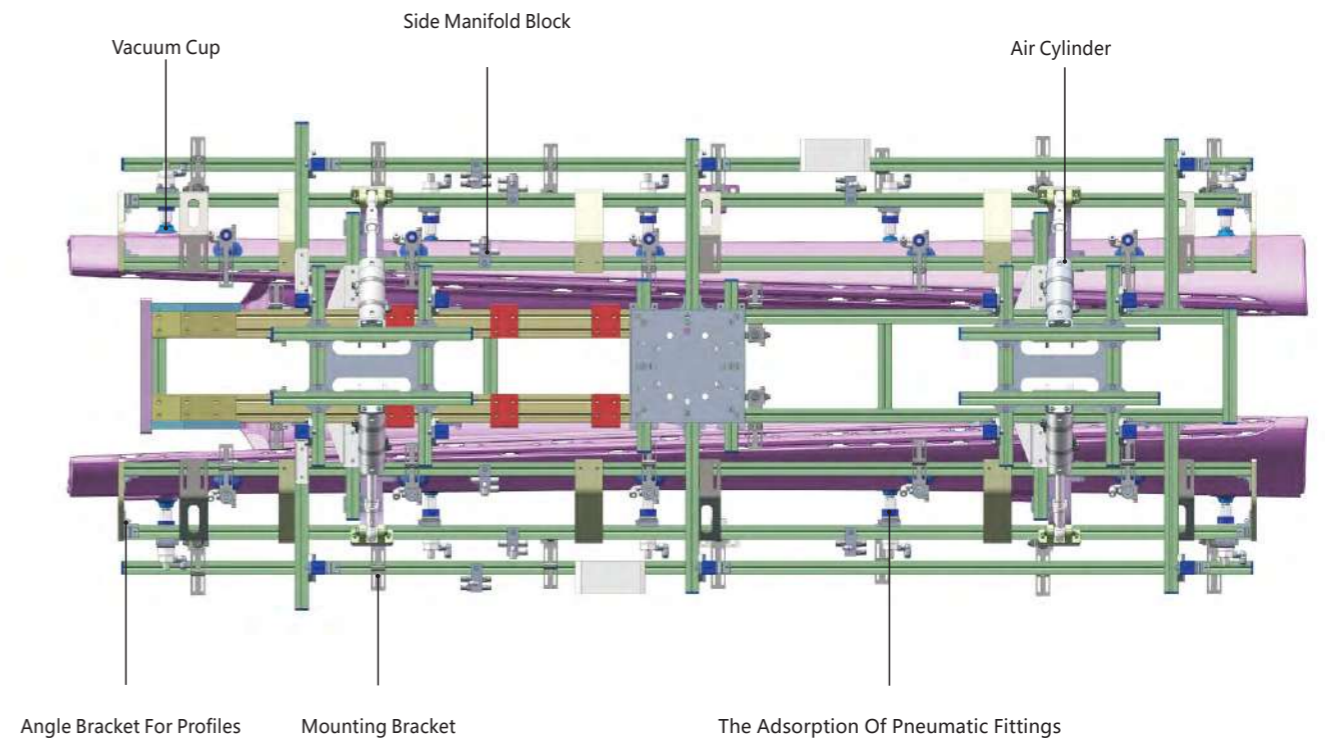
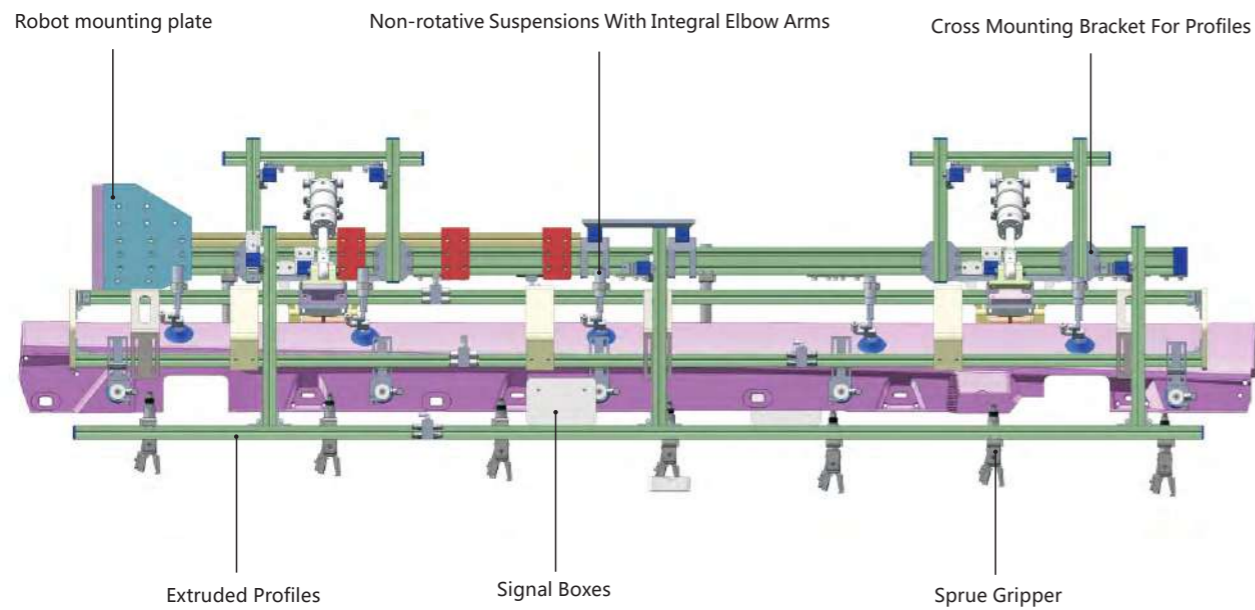
Tool Name: Fixture of take out for car threshold strip

Machine tonnage: 2700T

Weight of fixture: 80kg

Sprue quantity: 14

The car threshold strip is divided into left and right parts. There has long under-cut in the product which can not be taken out horizontally after being ejected. The product is absorbed by non-marking suction cup, and the fixture has the function of rotation, so the product can be taken out smoothly.



Application examples

Base Frame

Product Description:

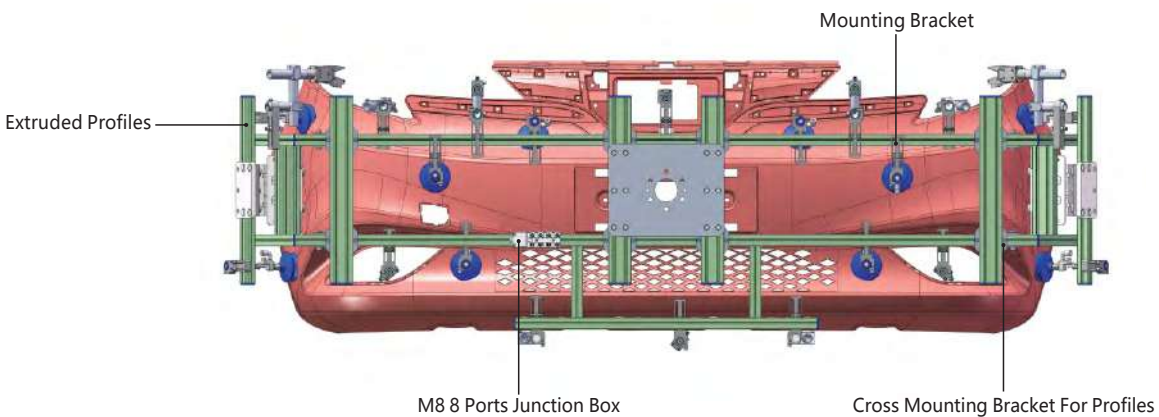
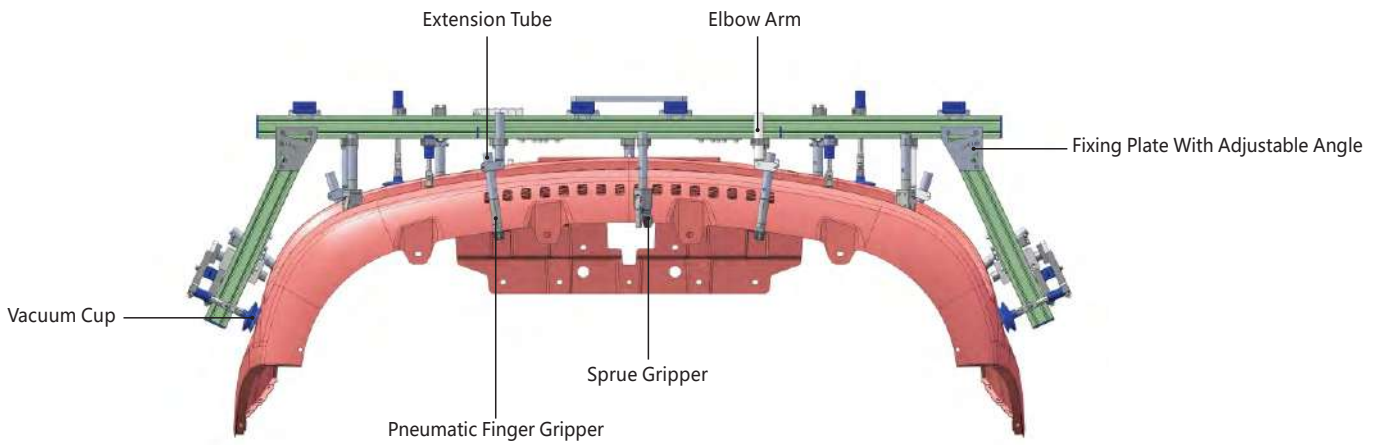
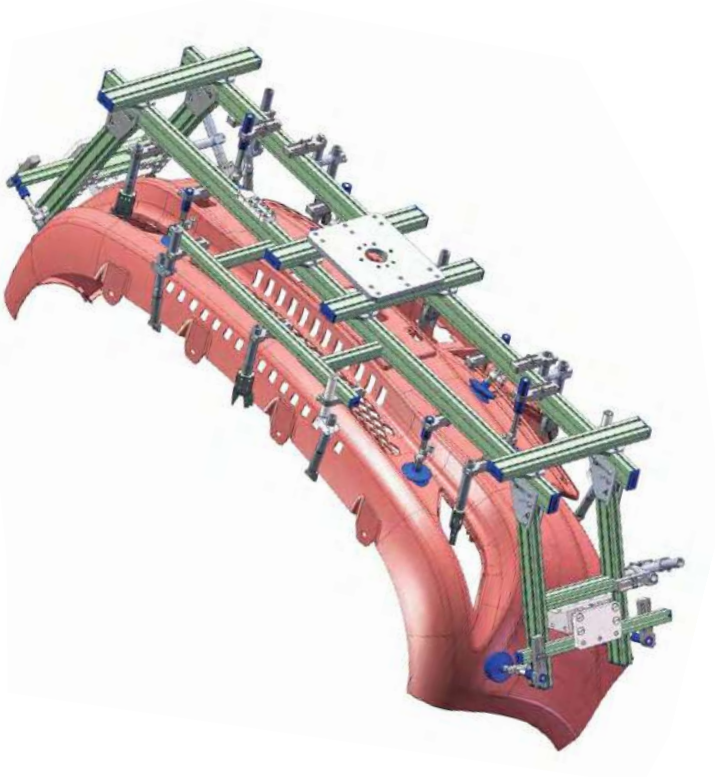
Fixture Name: Fixture of take out for bumper

Machine tonnage: 1800T

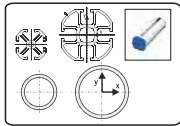
Weight of fixture: 20kg

Sprue quantity: 8

It needs to be equipped with cylinder to pulling from side because the product can't be demoulding smoothly. The contact surface of the product adopts non-marking suction cup, the clamp interface adopts soft rubber pad, and the angle can be adjust by multifunctional to make elbow arm complete the clamping.



Content



Profile, SUS Tube

01-04



Stents Module

05-50



Quick Changer

51-66



Grip Module

67-138



Air **N**ipper

139-168



Vacuum Module

169-197



Accessory Components

198-211

General Index

Profile, SUS Tube



PST
Sus Tube
Page 1



PEP
Extruded Profiles
Page 2



PT
T-Nuts
Page 3

Stents Module



SIP
Quick Changer Connector
Page 5~6



SFP
Fixing Plate
Page 7~9



SMB
Module Fixed Part
Page 10~35



SV
Vacuum Cups Bracket
Page 36~40



SC
Clamp Leg Connector
Page 41~47



SEA
Elbow Arm Connector
Page 48~49



SBN
Bush Nut
Page 50

Quick Changer



QC
Round Quick Changer
Page 51~57



QCS
Square Quick Changer
Page 58



QCL
Manual Quick Changer
Page 59~61



QCA
Automatic Quick Changer
Page 63

NEW



QCA-
Automatic Quick Changer
Page 64~66

Grip Module



GMH
Cylinder Gripper
Page 67~70

NEW



GMHXL2
Lengthen Parallel Gripper
Page 68

NEW



GMXQ
Air Slide Table
Page 71~92

NEW



GR
Sprue Gripper
Page 93~117

General index



GS
Buffer Support
Page 122~123



GMP
Mould Positioner
Page 124



GN
Pneumatic Needle Gripper
Page 125



GBD
Bulging Device
Page 126~127



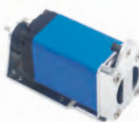
GF
Pneumatic Finger Gripper
Page 128~135

NEW



GO
One Finger Angular Pneumatic Grippers
Page 136

Air Nipper



N - Air Nipper Body
Page 144~145



N - Air Nipper Blade
Page 146~166



NT - Air Nipper Bracket
Page 168

Vacuum Module

NEW



VS - Vacuum Cup
Page 169~172



VSH
Vacuum Cups
Page 173~175



VFC
Vacuum Cups
Page 176~177



VM
Vacuum Cup Connector
Page 178~183



VF - Stem Suction Buffer Body
Page 184~187

NEW



VUVG
Solenoid Valve
Page 192



VP - Vacuum Module
Page 193~197

Accessories



ASC - Signal Boxes -
Page 198



AJB - Junction Box
Page 199~202



ARJ - Miniature Regulator
Page 203

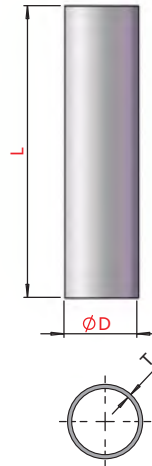


AP - Hose Fitting
Page 205~210



AH - Hoses
Page 211

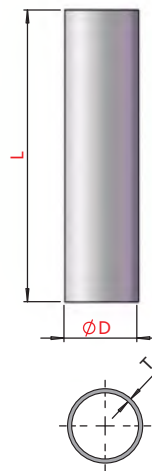
Sus Tube



Tube plugs

PN	Model	D(mm)	L(mm)	T(mm)	Weight	Plugs
4.Y00040	PST8-1500	Ø8	1500	0.6	215g	1.Y03375(red)
4.Y00021	PST12-1500	Ø12	1500	0.6	339g	1.Y03636(grey) 1.Y03638(blue) 1.Y03640(black)
4.Y00022	PST20-1500	Ø20	1500	0.8	560g	1.Y03637(grey) 1.Y03639(blue) 1.Y03641(black)

Aluminium Tube



PN	Model	D(mm)	L(mm)	T(mm)	Weight
4.Y00468	PAT20-1000	Ø20	1000	2	308g
4.Y00469	PAT30-1000	Ø30	1000	2.5	558g

Profile · SUS Tube

Stents Module

Quick Changer

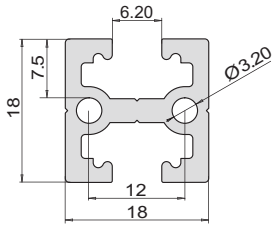
Grip Module

Air Nipper

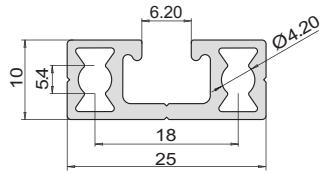
Vacuum Module

Accessory Components

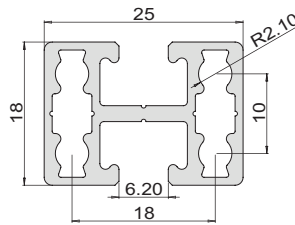
Extruded Profiles



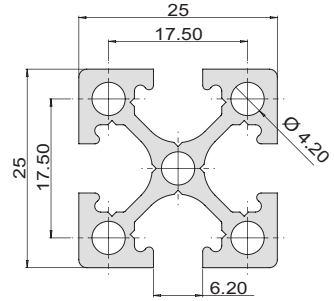
PEP1818



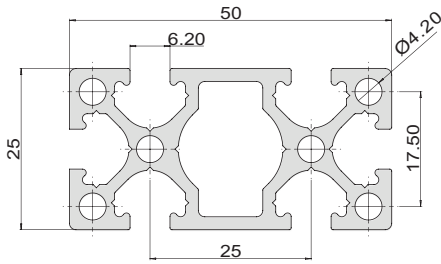
PEP2510



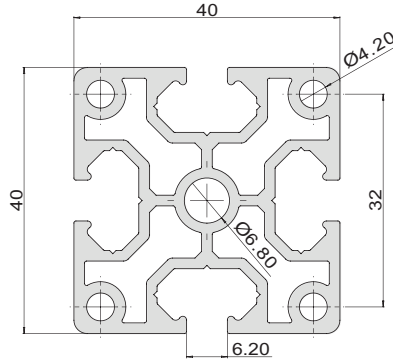
PEP2518



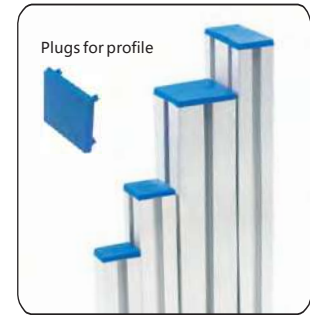
PEP2525



PEP5025

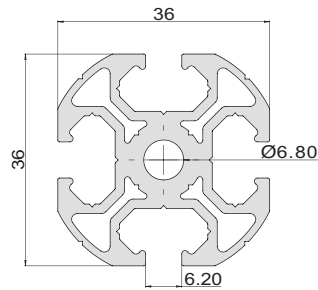


PEP4040



PN	Model	Length	Weight	Plugs PN	Plugs Model
4.Y00075	PEP1818-1000	1.0m	425g	4.Y00517	P1818
4.Y00076	PEP2510-1000	1.0m	310g	4.Y00518	P2510
4.Y00455	PEP2518-1000	1.0m	400g	4.Y00069	P2518
4.Y00050	PEP2525-1000	1.0m	610g	4.Y00070	P2525
* 4.Y00051	PEP2525-2000	2.0m	1220g		
4.Y00056	PEP5025-1000	1.0m	1040g	4.Y00071	P5025
* 4.Y00057	PEP5025-2000	2.0m	2080g		
4.Y00052	PEP4040-1000	1.0m	1300g	4.Y00072	P4040
* 4.Y00053	PEP4040-2000	2.0m	2600g		

* Optional



PEP-3636

PN	Model	Length	Weight	Plugs PN	Plugs Model
4.Y00054	PEP3636-1000	1.0m	1168g		
4.Y00484	PEP3636-1500	1.5m	1752g	4.Y00073	P3636
* 4.Y00055	PEP3636-2000	2.0m	2336g		

* Optional

Profile · SUS Tube

Stents Module

Quick Changer

Grip Module

Air Nipper

Vacuum Module

Accessory Components

T-Nuts

Profile - SUS Tube

Stents Module

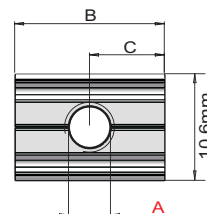
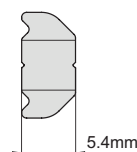
Quick Changer

Grip Module

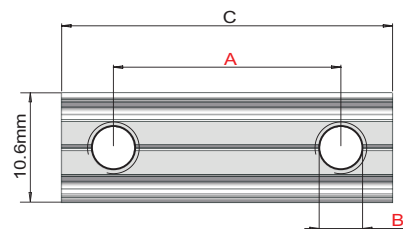
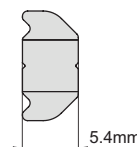
Air Nipper

Vacuum Module

Accessory Components



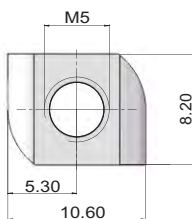
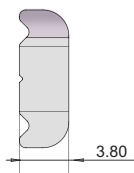
PN	Model	A(mm)	B(mm)	C(mm)	Weight
7.Y00651	PTN-M4	M4	15	7.5	5g
7.Y00425	PTN-M5	M5	15	7.5	5g
7.Y00652	PTN-M6	M6	15	7.5	5g



PN	Model	A(mm)	B(mm)	C(mm)	Weight
7.Y00653	PTN-M4P8	8	M4	16	5g
7.Y00654	PTN-M5P10	10	M5	20	7g
7.Y00655	PTN-M5P15	15	M5	25	9g
7.Y00656	PTN-M5P17	17	M5	25	9g
7.Y00657	PTN-M5P22	22	M5	32	11g
7.Y00658	PTN-M5P25	25	M5	35	13g
7.Y00659	PTN-M5P28	28	M5	38	14g
7.Y00660	PTN-M5P30	30	M5	40	15g
7.Y00661	PTN-M5P35	35	M5	45	16g
7.Y00662	PTN-M5P40	40	M5	50	18g
7.Y00663	PTN-M5P50	50	M5	60	22g
7.Y00664	PTN-M5P60	60	M5	70	26g
7.Y00665	PTN-M5P90	90	M5	100	38g

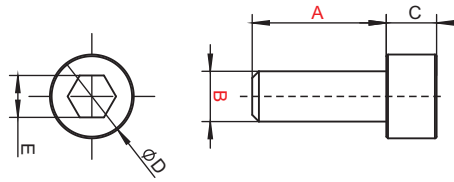
Last-Minute Nut

To be used when you need to add something to an already assembled EOAT.



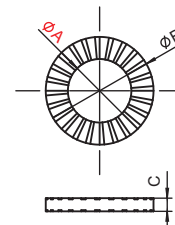
PN	Model	Weight
7.Y00805	PTN-M5R	2g

Sus Screws



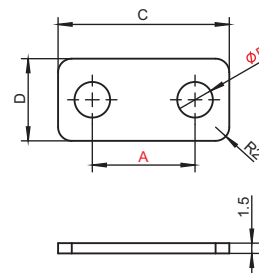
PN	Model	A(mm)	B(mm)	C(mm)	D(mm)	E(mm)	Weight
1.Y03908	PTC-M4L10	10					1.6g
1.Y03848	PTC-M4L12	12					1.8g
1.Y02752	PTC-M4L14	14	M4	4	6.8	3.2	1.9g
1.Y04073	PTC-M4L16	16					2.0g
1.Y05846	PTC-M4L18	18					2.1g
1.Y04294	PTC-M5L10	10					2.9g
1.Y03850	PTC-M5L12	12					3.1g
1.Y04528	PTC-M5L14	14					3.3g
1.Y03849	PTC-M5L16	16					3.6g
1.Y03909	PTC-M5L20	20					4.0g
1.Y06257	PTC-M5L22	22	M5	5	8.3	4.1	4.3g
1.Y03851	PTC-M5L25	25					4.7g
1.Y04469	PTC-M5L30	30					5.3g
1.Y04580	PTC-M5L35	35					5.9g
1.Y05391	PTC-M5L60	60					10.0g
1.Y04288	PTC-M6L10	10					4.0g
1.Y03910	PTC-M6L12	12					4.6g
1.Y04153	PTC-M6L14	14	M6	6	10	5.3	5.2g
1.Y02753	PTC-M6L16	16					5.5g

Single Hole Shim



PN	Model	A(mm)	B(mm)	C(mm)
1.Y03853	PTS-M4	4.5	7	0.45
1.Y03852	PTS-M5	5.5	9	0.55
1.Y03854	PTS-M6	6.5	10	0.65

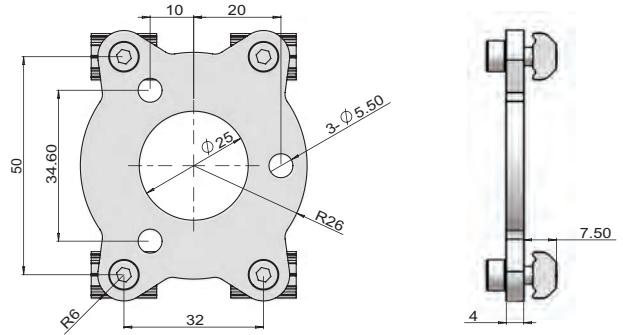
Double Holes Shim



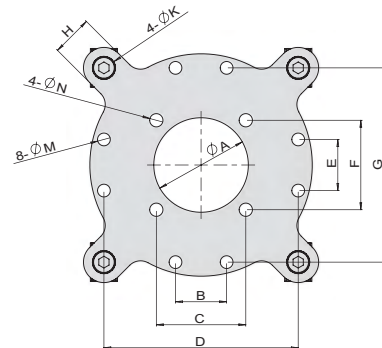
PN	Model	A(mm)	B(mm)	C(mm)	D(mm)
4.Y00522	PTD-M4P8	8	4.5	16	12
4.Y00523	PTD-M5P10	10	5.5	20	12
4.Y00524	PTD-M5P15	15	5.5	25	12
4.Y00525	PTD-M5P17	17	5.5	25	12
4.Y00526	PTD-M5P22	22	5.5	32	12
4.Y00527	PTD-M5P25	25	5.5	35	12

Interface

SIP-50BT 7.Y00650-T



PN	7.Y00650
Model	SIP-50B
QC-G...	QC-G50
T	4mm
Screws	PTC-M5L12*4
Single hole shim	PTS-M5*4
T-Nuts	PTN-M5*4
Weight	90g



PN	7.Y00634	7.Y00635
Model	SIP-90B	SIP-160B
A(mm)	Ø37	Ø70
B(mm)	20	20
C(mm)	35	74
D(mm)	76	130
E(mm)	20	20
F(mm)	35	52
G(mm)	76	110
H(mm)	16	24
M(mm)	Ø5	Ø5
N(mm)	Ø5.2	Ø6.2
K(mm)	Ø5.3	Ø5.3
T(mm)	3	4
QC-G...	QC-G90	QC-G160
Accessories selection		
Screws	PTC-M5L12*4	PTC-M5L12*4
Single hole shim	PTS-M5*4	PTS-M5*4
T-Nuts	PTN-M5*4	PTN-M5*4
Weight	190g	540g



Profile - SUS Tube

Stents Module

Quick Changer

Grip Module

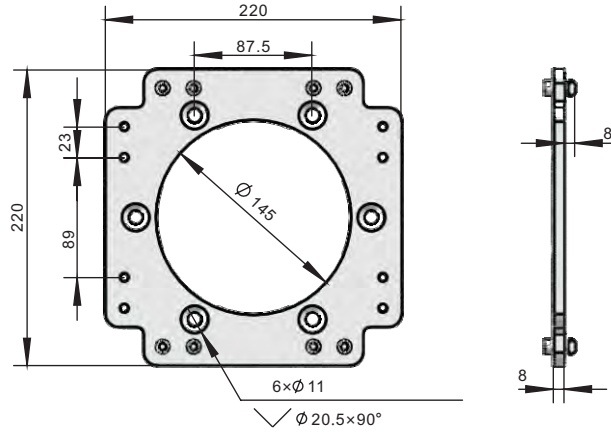
Air Nipper

Vacuum Module

Accessory Components

Interface

SIP-200BT 7.Y00865-T



PN	7.Y00865
Model	SIP-200B
QC-G...	QC-G200
T	8mm
Weight	578g



Profile - SUS Tube

Stents Module

Quick Changer

Grip Module

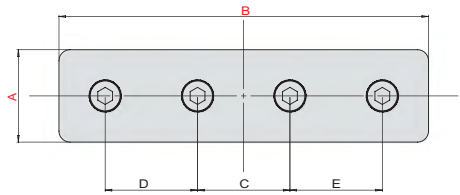
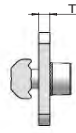
Air Nipper

Vacuum Module

Accessory Components

Straight Fixing Plate

SFP-S2550 **T** 7.Y00641-**T**

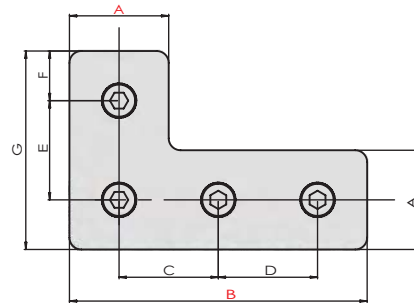


PN	7.Y00641	7.Y00642	7.Y00643
Model	SFP-S2550	SFP-S25100	SFP-S40160
A(mm)	25	25	40
B(mm)	50	100	160
C(mm)	25	25	40
D(mm)	-	25	40
E(mm)	-	25	40
T(mm)	3	3	3
PEP2510	√	√	-
PEP2518	√	√	-
PEP2525	√	√	-
PEP5025	√	√	-
PEP4040	-	-	√
Screws	PTC-M5L12*2	PTC-M5L12*4	PTC-M5L12*4
Single hole shim	PTS-M5*2	PTS-M5*4	PTS-M5*4
T-Nuts	PTN-M5*2	PTN-M5P25*2	PTN-M5P40*2
Weight	45g	95g	195g



L-shaped Fixing Plate (Kit With Screws Option)

SFP-L2550 **T** 7.Y00647-**T**



PN	7.Y00647	7.Y00648	7.Y00649
Model	SFP-L2550	SFP-L2575	SFP-L40120
A(mm)	25	25	40
B(mm)	50	75	120
C(mm)	25	25	40
D(mm)	-	25	40
E(mm)	25	25	40
F(mm)	12.5	12.5	20
G(mm)	50	50	80
T(mm)	3	3	3
PEP2510	√	√	-
PEP2518	√	√	-
PEP2525	√	√	-
PEP5025	√	√	-
PEP4040	-	-	√
Accessories selection			
Screws	PTC-M5L12*3	PTC-M5L12*4	PTC-M5L12*4
Single hole shim	PTS-M5*3	PTS-M5*4	PTS-M5*4
T-Nuts	PTN-M5*1	PTN-M5P25*2	PTN-M5P40*2
Weight	70g	95g	200g



Profile - SUS Tube

Stents Module

Quick Changer

Grip Module

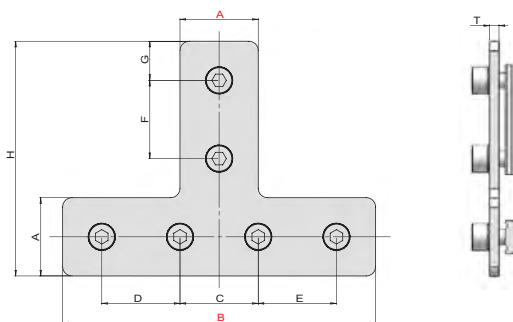
Air Nipper

Vacuum Module

Accessory Components

T-shaped Fixing Plate

SFP-T2550T 7.Y00644-T



PN	7.Y00644	7.Y00645	7.Y00646
Model	SFP-T2550	SFP-T25100	SFP-T40120
A(mm)	25	25	40
B(mm)	50	100	120
C(mm)	25	25	90
D(mm)	-	25	-
E(mm)	-	25	-
F(mm)	25	25	40
G(mm)	12.5	12.5	15
H(mm)	75	75	110
T(mm)	3	3	3
PEP2510	√	√	-
PEP2518	√	√	-
PEP2525	√	√	-
PEP5025	√	√	-
PEP4040	-	-	√

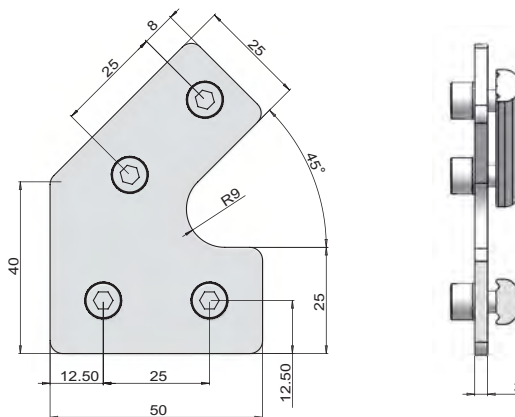
Accessoirier selection

Screws	PTC-M5L12*4	PTC-M5L12*6	PTC-M5L12*4
Single hole shim	PTS-M5*4	PTS-M5*6	PTS-M5*4
T-Nuts	PTN-M5P25*2	PTN-M5P25*3	PTN-M5P40*1 PTN-M5P90*1
Weight	95g	145g	250g



45° Fixing Plate

SFP-50T 7.Y00636-T



PN	7.Y00636
Model	SFP-50
QC-G...	QC-G50
T	3mm

Accessoirier selection

Screws	PTC-M5L12*4
Single hole shim	PTS-M5*4
T-Nuts	PTN-M5P25*2
Weight	100g



Profile · SUS Tube

Stents Module

Quick Changer

Grip Module

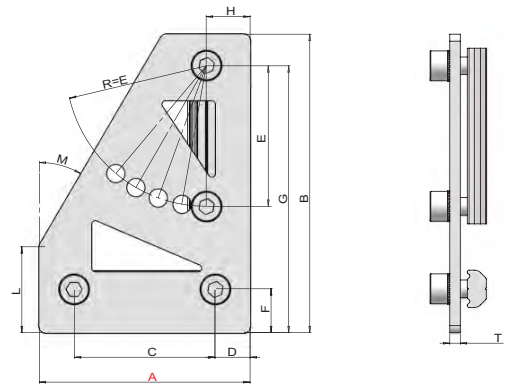
Air Nipper

Vacuum Module

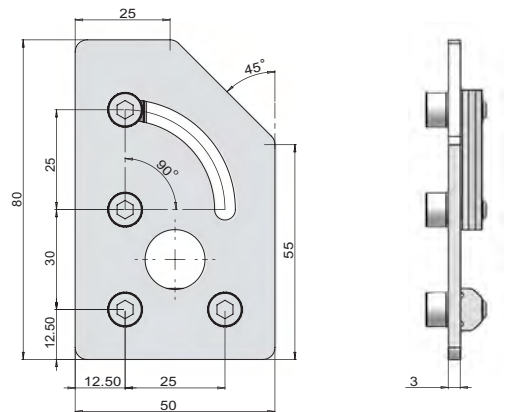
Accessory Components

Fixing Plate With Adjustable Angle

SFP-A60T 7.Y00637-T



PN	7.Y00637	7.Y00638	7.Y00639
Model	SFP-A60	SFP-A90	SFP-A70
A(mm)	60	90	70
B(mm)	85	95	100
C(mm)	40	60	50
D(mm)	10	15	10
E(mm)	40	50	40
F(mm)	12.5	12.5	20
G(mm)	76	86	90
H(mm)	12.5	12.5	20
L(mm)	25	25	40
M(mm)	30°	30°	27°
T(mm)	3	3	3
PEP2510	√	√	-
PEP2518	√	√	-
PEP2525	√	√	-
PEP5025	√	√	-
PEP4040	-	-	√
Screws	PTC-M5L12*4	PTC-M5L12*5	PTC-M5L12*4
Single hole shim	PTS-M5*4	PTS-M5*5	PTS-M5*4
T-Nuts	PTN-M5P40*2	PTN-M5P50*1	PTN-M5P40*1
Weight	130g	215g	175g

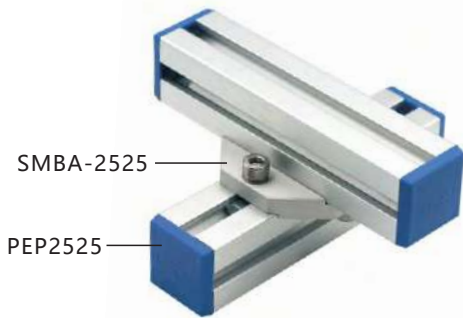
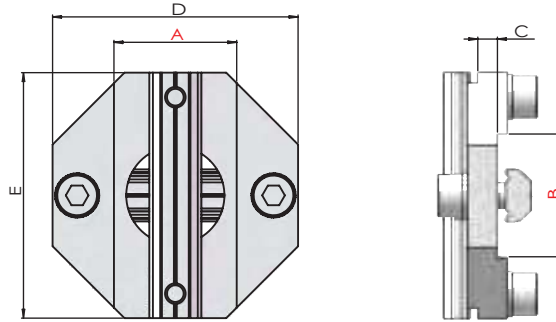


PN	7.Y00640
Model	SFP-A50
QC-G...	QC-G50
T	3mm
Accessoirier selection	
Screws	PTC-M5L12*4
Single hole shim	PTS-M5*4
T-Nuts	PTN-M5P25*2
Weight	115g



Cross Mounting Bracket For Profiles

SMBA-1818T 7.Y00290-T



PN	Model	A	B	C	D	E	PEP1818	PEP2510	PEP2518	PEP2525	PEP5025	PEP4040
7.Y00290	SMBA-1818	18	18	2	38	38	√					
7.Y00291	SMBA-1825	18	25	4	38	45	√		√	√	√	
7.Y00245	SMBA-2020	20	20	4	50	50						
7.Y00194	SMBA-2525	25	25	4	50	50		√	√	√	√	
7.Y00193	SMBA-3030	30	30	4	50	50						
7.Y00011	SMBA-5050	50	50	4	70	70					√	
7.Y00292	SMBA-2550	25	50	4	70	70		√	√	√	√	
7.Y00246	SMBA-4040	40	40	4	60	60						√
7.Y00355	SMBA-8080	80	80	4	100	100						
7.Y00293	SMBA-4080	40	80	4	60	100						√
7.Y00294	SMBA-2580	25	80	4	45	100			√	√	√	
7.Y00356	SMBA-2540	25	40	4	45	60		√	√	√	√	√
7.Y00690	SMBA-3025	30	25	4	50	50		√				

Model	Screws	Single hole shim	T-Nuts	Weight
SMBA-1818	PTC-M5L12*4	PTS-M5*4	PTN-M5P28*2	40g
SMBA-1825	PTC-M5L14*4	PTS-M5*4	PTN-M5P28*1,PTN-M5P35*1	60g
SMBA-2020	PTC-M5L14*4	PTS-M5*4		30g
SMBA-2525	PTC-M5L14*4	PTS-M5*4	PTN-M5P40*2	75g
SMBA-3030	PTC-M5L14*4	PTS-M5*4		24g
SMBA-5050	PTC-M5L14*8	PTS-M5*8	PTN-M5P60*4	170g
SMBA-2550	PTC-M5L14*6	PTS-M5*6	PTN-M5P60*3	155g
SMBA-4040	PTC-M5L16*4	PTS-M5*4	PTN-M5P50*2	85g
SMBA-8080	PTC-M5L16*8	PTS-M5*8	PTN-M5P90*4	255g
SMBA-4080	PTC-M5L16*6	PTS-M5*6	PTN-M5P50*2,PTN-M5P90*1	175g
SMBA-2580	PTC-M5L14*2 16*4	PTS-M5*6	PTN-M5P35*2,PTN-M5P90*1	140g
SMBA-2540	PTC-M5L14*2 16*4	PTS-M5*6	PTN-M5P35*1,PTN-M5P50*1	75g
SMBA-3025	PTC-M5L14*4	PTS-M5*4	PTN-M5P40*1,PTN-M5*2	25g

Profile - SUS Tube

Stents Module

Quick Changer

Grip Module

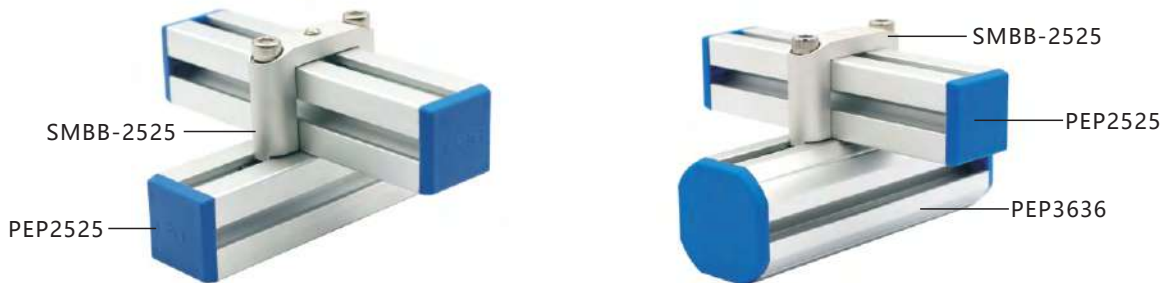
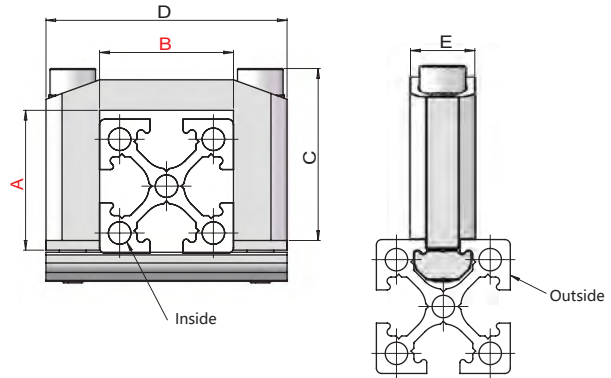
Air Nipper

Vacuum Module

Accessory Components

Cross (Square) Joint Connector

SMBB-1818T 7.Y00295-T



PN	7.Y00295	7.Y00817	7.Y00012	7.Y00339	7.Y00340	7.Y00163
Model	SMBB-1818	SMBB-1825	SMBB-2525	SMBB-5025	SMBB-2550	SMBB-3030
A(mm)	18	18	25	50	25	30
B(mm)	18	25	25	25	50	30
C(mm)	29	29	32	57	32	32
D(mm)	38	45	45	45	70	50
E(mm)	12	12	12	12	12	12
Inside	PEP1818	PEP1818	-	-	-	-
	-	-	PEP2525	PEP5025	PEP5025	-
Outside	PEP2510	PEP2510	PEP2510	PEP2510	PEP2510	-
	PEP2518	PEP2518	PEP2518	-	-	-
	PEP2525	PEP2525	PEP2525	PEP2525	PEP2525	-
	PEP5025	PEP5025	PEP5025	PEP5025	PEP5025	-
	PEP4040	PEP4040	PEP4040	PEP4040	PEP4040	-
Screws	PTC-M5L30*2	PTC-M5L30*2	PTC-M5L35*2	PTC-M5L60*2	PTC-M5L35*2	-
Single hole shim	PTS-M5*2	PTS-M5*2	PTS-M5*2	PTS-M5*2	PTS-M5*2	-
T-Nuts	PTN-M5P28*1	PTN-M5P35*1	PTN-M5P35*1	PTN-M5P35*1	PTN-M5P60*1	-
Weight	41g	42g	45g	65g	50g	19g

Profile · SUS Tube

Stents Module

Quick Changer

Grip Module

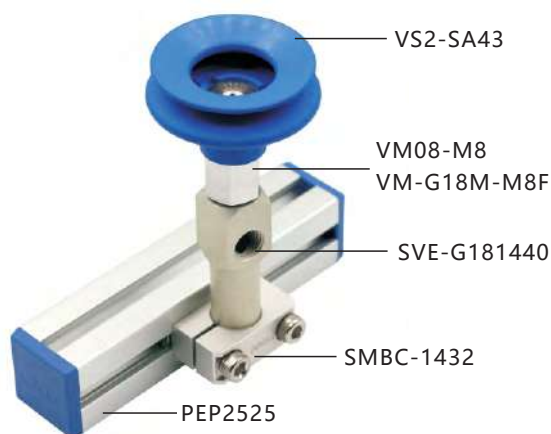
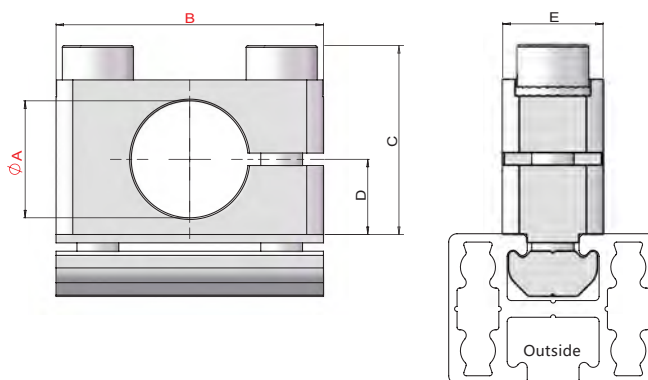
Air Nipper

Vacuum Module

Accessory Components

Cross (Square) Joint Connector

SMBC-1025 T 7.Y00296-T

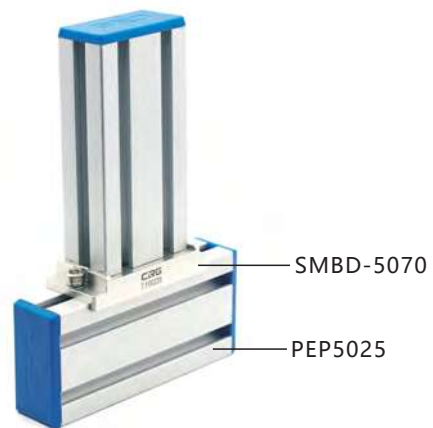
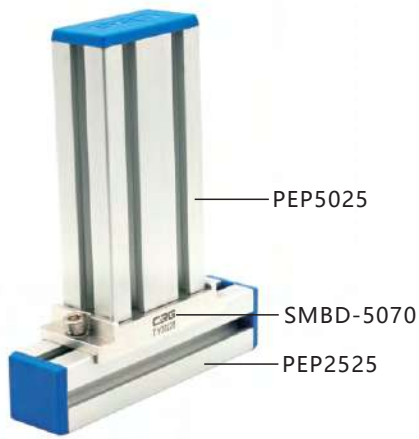
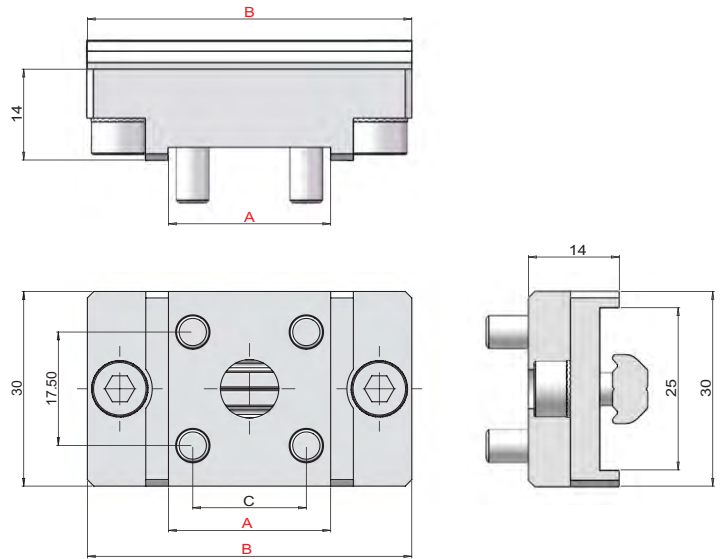


PN	7.Y00296	7.Y00297	7.Y00013	7.Y00226	7.Y00225
Model	SMBC-1025	SMBC-1432	SMBC-2038	SMBC-3050	SMBC-5070
A(mm)	Ø10	Ø14	Ø20	Ø30	Ø50
B(mm)	25	32	38	50	70
C(mm)	18.5	23	28	34	56
D(mm)	7	9	12.5	17	28
E(mm)	10	12	15	20	25
Outside	PEP1818	PEP1818	PEP1818	PEP1818	PEP1818
	PEP2510	PEP2510	PEP2510	PEP2510	PEP2510
	PEP2518	PEP2518	-	-	-
	PEP2525	PEP2525	PEP2525	PEP2525	PEP2525
	PEP5025	PEP5025	PEP5025	PEP5025	PEP5025
	PEP4040	PEP4040	PEP4040	PEP4040	PEP4040
Accessories selection					
Screws	PTC-M5L25*2	PTC-M5L25*2	PTC-M5L30*2	PTC-M5L35*2	PTC-M5L50*2
Single hole shim	PTS-M5*2	PTS-M5*2	PTS-M5*2	PTS-M5*2	PTS-M5*2
T-Nuts	PTN-M5P17*1	PTN-M5P22*1	PTN-M5P28*1	PTN-M5P40*1	PTN-M5P60*1
Weight	15g	32g	45g	75g	150g

Profile - SUS Tube
Stents Module
Quick Changer
Grip Module
Air Nipper
Vacuum Module
Accessory Components

Vertical Fastening Of The Profiles

SMBD-2550 **T** 7.Y00227-**T**



PN	7.Y00227	7.Y00228
Model	SMBD-2550	SMBD-5070
A(mm)	25	50
B(mm)	50	70
C(mm)	17.5	42.5
PEP2525	√	√
PEP5025	√	√
Screws	PTC-M5L12*6	PTC-M5L12*4
Single hole shim	PTS-M5*2	PTS-M5*2
T-Nuts	PTN-M5P40*1	PTN-M5P60*1
Weight	65g	85g

Profile · SUS Tube

Stents Module

Quick Changer

Grip Module

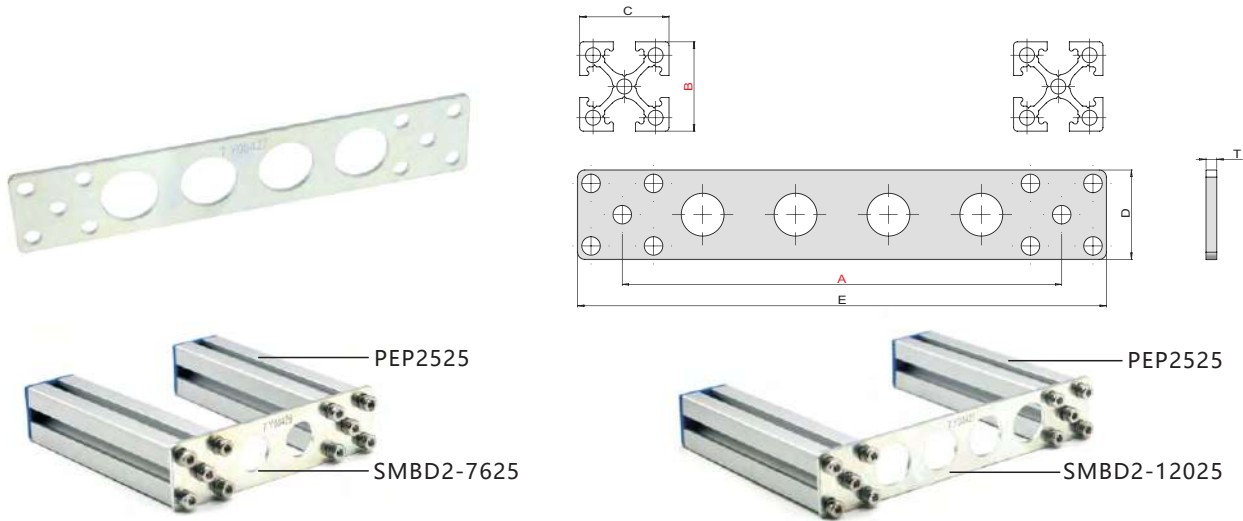
Air Nipper

Vacuum Module

Accessory Components

Flat Straight Connector

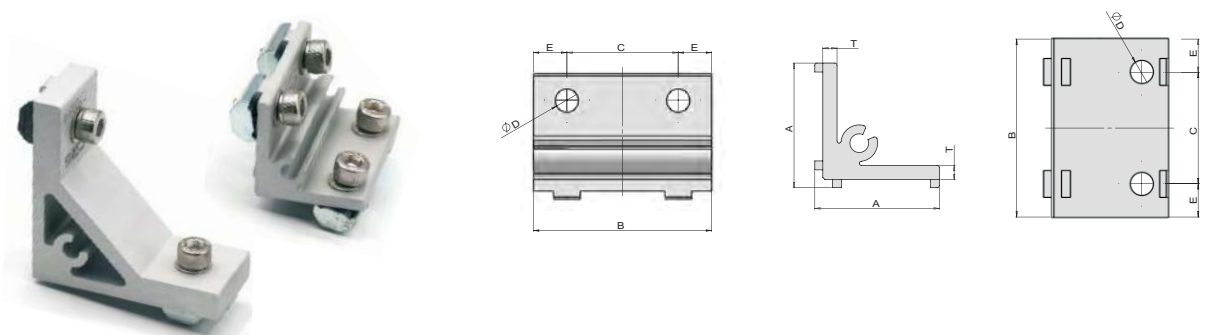
SMBD2-7625T 7.Y00426-T



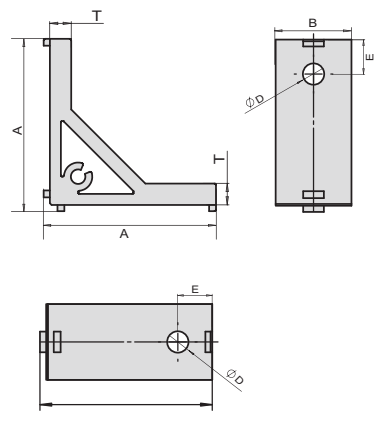
PN	7.Y00426	7.Y00427	7.Y00428	7.Y00429	7.Y00430	7.Y00431
Model	SMBD2-7625	SMBD2-12025	SMBD2-13025	SMBD2-7650	SMBD2-12050	SMBD2-13050
A(mm)	76	120	130	76	120	130
B(mm)	25	25	25	50	50	50
C(mm)	25	25	25	25	25	25
D(mm)	28	28	28	53	53	53
E(mm)	104	148	158	104	148	158
T(mm)	2	2	2	2	2	2
PEP2525	√	√	√	-	-	-
PEP5025	-	-	-	√	√	√
Weight	50g	60g	65g	75g	100g	110g

Angle Bracket For Profiles

SMBD3-2525T 7.Y00812-T



PN	7.Y00812	7.Y00813	7.Y00814	7.Y00815
Model	SMBD3-2525	SMBD3-2550	SMBD3-4040	SMBD3-4080
A(mm)	28	28	50	50
B(mm)	18	40	22	70
C(mm)	-	25	-	40
D(mm)	Ø5.2	Ø5.2	Ø6.2	Ø6.2
E(mm)	9	7.5	11	15
T(mm)	3.2	3.2	6.2	6.2
	PEP1818			
	PEP2510		PEP4040	PEP4080
	PEP2518	PEP2550	PEP4080	
	PEP2525			
Screws	PTC-M5L12*2	PTC-M5L12*4	PTC-M6L14*2	PTC-M5L14*4
Single hole shim	PTS-M5*2	PTS-M5*4	PTS-M6*2	PTS-M5*4
T-Nuts	PTN-M5*2	PTN-M5*4	PTN-M6*2	PTN-M5*4
Weight	10g	22g	38g	126g



Profile - SUS Tube
Stents Module
Quick Changer
Grip Module
Air Nipper
Vacuum Module
Accessory Components

Flat Straight Connector

SMBE-1010T 7.Y00300-T

Profile · SUS Tube

Stents Module

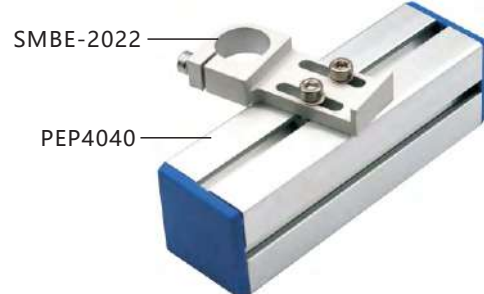
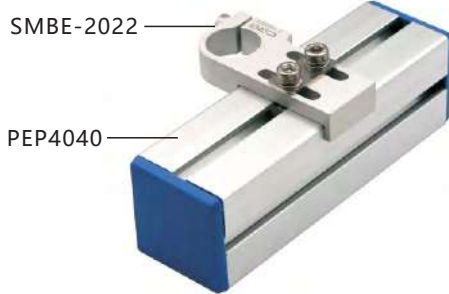
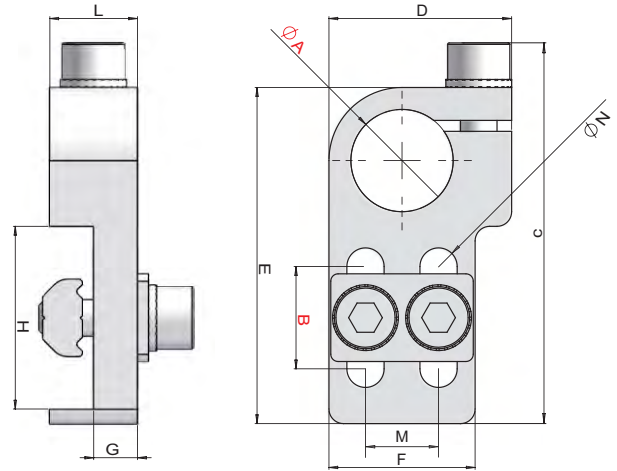
Quick Changer

Grip Module

Air Nipper

Vacuum Module

Accessory Components

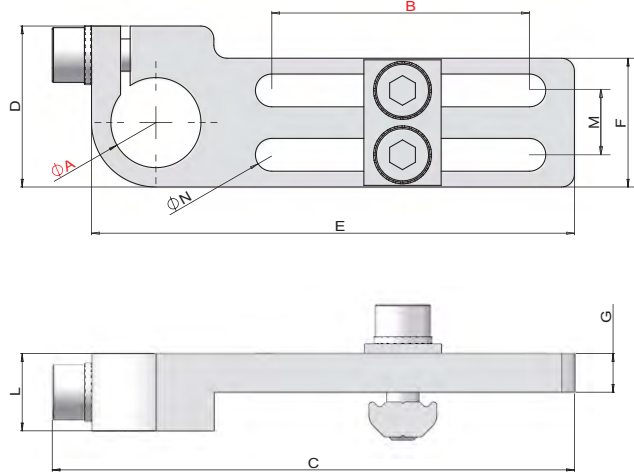


PN	7.Y00300	7.Y00301	7.Y00775	7.Y00864	7.Y00302	7.Y00014	7.Y00304
Model	SMBE-1010	SMBE-1014	SMBE-1210	SMBE-1214	SMBE-1414	SMBE-2014	SMBE-2022
A(mm)	Ø10	Ø10	Ø12	Ø12	Ø14	Ø20	Ø20
B(mm)	10	14	10	14	14	14	22
C(mm)	43	49	43	50	52.1	57.1	74.1
D(mm)	20	20	20.5	20.5	25	30	30
E(mm)	38	44	38	45	46	51.5	68
F(mm)	16	16	16	16	20	25	25
G(mm)	4.5	4.5	4.5	4.5	6	6.2	6
H(mm)	18	25	18	25	25	25	40
L(mm)	8	8	8	8	12	12	12
M(mm)	8	8	8	8	10	15	15
N(mm)	Ø4.2	Ø4.2	Ø4.2	Ø4.2	Ø5.2	Ø5.2	Ø5.2
PEP1818	√	-	√	-	-	-	-
PEP2510	-	√	-	√	√	√	-
PEP2518	-	√	-	-	√	√	-
PEP2525	-	√	-	-	√	√	-
PEP5025	-	√	-	-	√	√	-
PEP4040	-	-	-	-	-	-	√

Screws	PTC-M4L14*2	PTC-M4L14*2	PTC-M4L14*2	PTC-M4L14*2	PTC-M5L16*2	PTC-M5L16*2	PTC-M5L16*2
Single hole shim	PTS-M4*2	PTS-M4*2	PTS-M4*2	PTS-M4*2	PTS-M5*2	PTS-M5*2	PTS-M5*2
T-Nuts	PTN-M4P8*1	PTN-M4P8*1	PTN-M4P8*1	PTN-M4P8*1	PTN-M5P10*1	PTN-M5P15*1	PTN-M5P15*1
Double holes shim	PTD-M4P8*1	PTD-M4P8*1	PTD-M4P8*1	PTD-M4P8*1	PTD-M5P10*1	PTD-M5P15*1	PTD-M5P15*1
Weight	20g	21g	22g	10g	34g	45g	48g

Mounting Bracket

SMBE1-0840T 7.Y00694-T



PN	7.Y00694	7.Y00201	7.Y00695	7.Y00200	7.Y00199	7.Y00015	7.Y00724
Model	SMBE1-0840	SMBE1-1040	SMBE1-1240	SMBE1-1440	SMBE1-1450	SMBE1-2060	SMBE1-3060
A(mm)	Ø8	Ø10	Ø12	Ø14	Ø14	Ø20	Ø30
B(mm)	40	40	40	40	50	60	60
C(mm)	75	75	75	81.1	91.1	111.1	121.1
D(mm)	20	20	20	25	25	30	40
E(mm)	70	70	70	75	85	105	115
F(mm)	16	16	16	20	20	25	35
G(mm)	4.5	4.5	4.5	6	6	6	8
L(mm)	8	8	8	12	12	12	12
M(mm)	8	8	8	10	10	15	22
N(mm)	Ø4.2	Ø4.2	Ø4.2	Ø5.2	Ø5.2	Ø5.2	Ø5.2
PEP1818	√	√	√	√	√	√	√
PEP2510	√	√	√	√	√	√	√
PEP2518	√	√	√	√	√	√	√
PEP2525	√	√	√	√	√	√	√
PEP5025	√	√	√	√	√	√	√
PEP4040	-	-	-	√	√	√	√

Screws	PTC-M4L14*2	PTC-M4L14*2	PTC-M4L14*2	PTC-M5L16*2	PTC-M5L16*2	PTC-M5L16*2	PTC-M5L16*2
Single hole shim	PTS-M4*2	PTS-M4*2	PTS-M4*2	PTS-M5*2	PTS-M5*2	PTS-M5*2	PTS-M5*2
T-Nuts	PTN-M4P8*1	PTN-M4P8*1	PTN-M4P8*1	PTN-M5P10*1	PTN-M5P10*1	PTN-M5P15*1	PTN-M5P22*1
Double holes shim	PTD-M4P8*1	PTD-M4P8*1	PTD-M4P8*1	PTD-M5P10*1	PTD-M5P10*1	PTD-M5P15*1	PTD-M5P22*1
Weight	13g	23g	12g	38g	40g	55g	95g

Profile - SUS Tube

Stents Module

Quick Changer

Grip Module

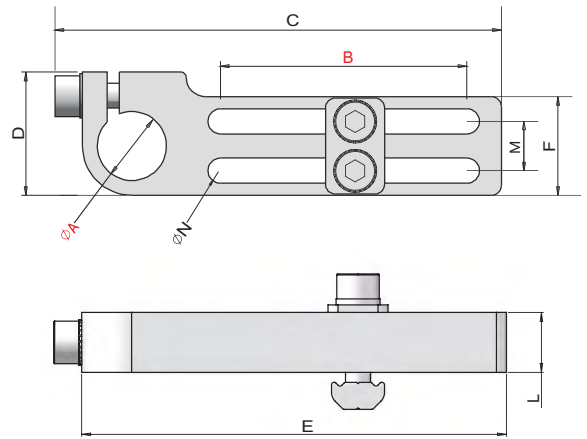
Air Nipper

Vacuum Module

Accessory Components

Heavy Duty Mounting Bracket

SMBE2-1040T 7.Y00725-T



PN	7.Y00725	7.Y00777	7.Y00307	7.Y00308	7.Y00309
Model	SMBE2-1040	SMBE2-1240	SMBE2-1450	SMBE2-2060	SMBE2-3060
A(mm)	Ø10	Ø12	Ø14	Ø20	Ø30
B(mm)	40	40	50	60	60
C(mm)	75	75	90.6	110.6	122.2
D(mm)	20	20.5	25	30	42
E(mm)	70	70	85	105	115
F(mm)	16	16	20	25	35
L(mm)	8.3	8.3	12	15	20
M(mm)	8	8	10	15	22
N(mm)	Ø4.2	Ø4.2	Ø5.2	Ø5.2	Ø5.2
Screws	PTC-M4L18*2	PTC-M4L18*2	PTC-M5L22*2	PTC-M5L25*2	PTC-M5L30*2
Single hole shim	PTS-M4*2	PTS-M4*2	PTS-M5*2	PTS-M5*2	PTS-M5*2
T-Nuts	PTN-M4P8*1	PTN-M4P8*1	PTN-M5P10*1	PTN-M5P15*1	PTN-M5P22*1
Double holes shim	PTD-M4P8*1	PTD-M4P8*1	PTD-M5P10*1	PTD-M5P15*1	PTD-M5P22*1
Weight	30g	40g	60g	85g	175g

Profile · SUS Tube

Stents Module

Quick Changer

Grip Module

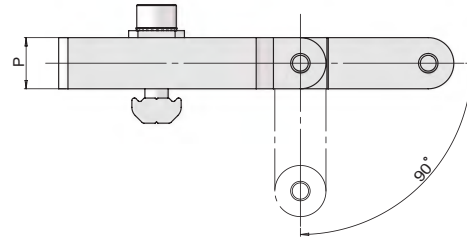
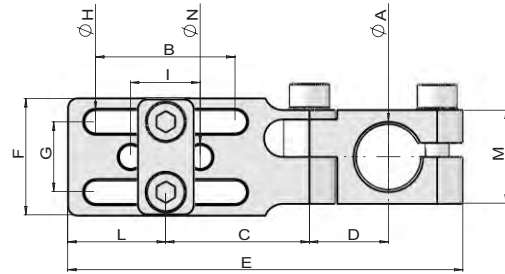
Air Nipper

Vacuum Module

Accessory Components

Slotted Angular Bracket

SMBE3-1020T 7.Y00341-T



PN	7.Y00341	7.Y00795	7.Y00342	7.Y00343	7.Y00344
Model	SMBE3-1020	SMBE3-1220	SMBE3-1430	SMBE3-2040	SMBE3-3050
A(mm)	Ø10	Ø12	Ø14	Ø20	Ø30
B(mm)	20	20	30	40	50
C(mm)	23	23	31	39	49
D(mm)	14	14	17	22	28
E(mm)	64.5	64.5	85	107	135.5
F(mm)	16	16	25	25	36
G(mm)	8	8	15	15	22
H(mm)	4.2	4.2	5.2	5.2	5.2
I(mm)	-	-	15	15	22
L(mm)	15	15	21	26	32
M(mm)	16	16	20	25	36
N(mm)	-	-	Ø5.1	Ø5.1	Ø5.1
P(mm)	9	9	11	13	16
Screws	PTC-M4L18*2	PTC-M4L18*2	PTC-M5L20*2	PTC-M5L22*2	PTC-M5L25*2
Single hole shim	PTS-M4*2	PTS-M4*2	PTS-M5*2	PTS-M5*2	PTS-M5*2
T-Nuts	PTN-M4P8*1	PTN-M4P8*1	PTN-M5P15*1	PTN-M5P15*1	PTN-M5P22*1
Double holes shim	PTD-M4P8*1	PTD-M4P8*1	PTD-M5P15*1	PTD-M5P15*1	PTD-M5P22*1
Weight	30g	35g	50g	90g	185g

Profile - SUS Tube

Stents Module

Quick Changer

Grip Module

Air Nipper

Vacuum Module

Accessory Components

Mounting Bracket

SMBE4-1412T 7.Y00224-T

Profile - SUS Tube

Stents Module

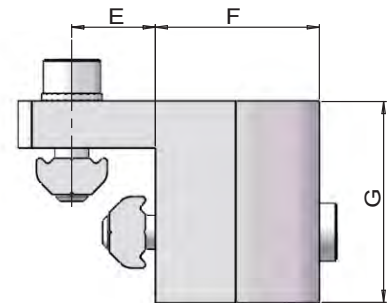
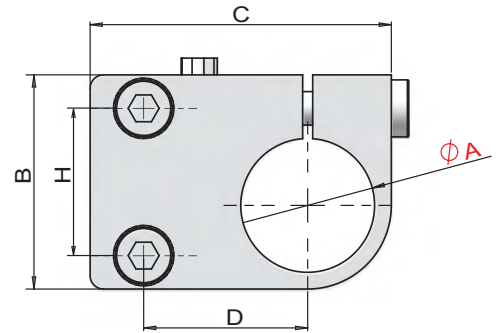
Quick Changer

Grip Module

Air Nipper

Vacuum Module

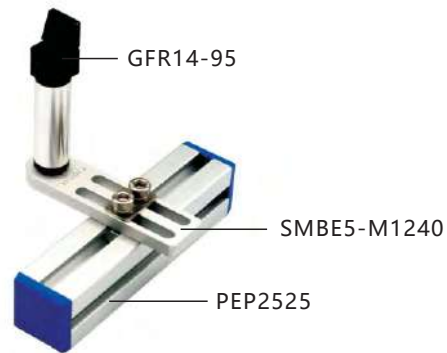
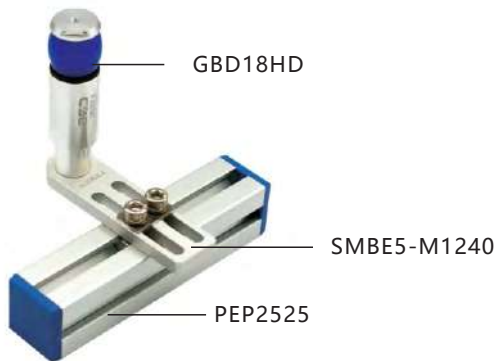
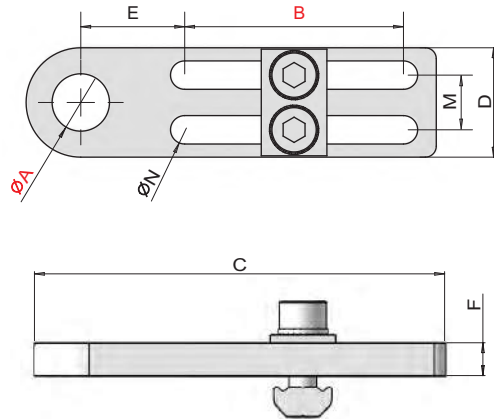
Accessory Components



PN	7.Y00224	7.Y00223	7.Y00181	7.Y00222	7.Y00221
Model	SMBE4-1412	SMBE4-2012	SMBE4-2020	SMBE4-3012	SMBE4-3020
A(mm)	Ø14	Ø20	Ø20	Ø30	Ø30
B(mm)	25	32	35	40	45
C(mm)	40	45	54.5	55	65.5
D(mm)	22	24.5	33	29.5	39
E(mm)	12.5	12.5	20	12.5	20
F(mm)	19.5	24.5	26.5	34.5	37.5
G(mm)	25	30	35	30	40
H(mm)	15	22	25	30	35
PEP1818	√	√	-	√	-
PEP2510	√	√	-	√	-
PEP2518	√	√	-	√	-
PEP2525	√	√	-	√	-
PEP5025	√	√	-	√	-
PEP4040	-	-	√	-	√
Screws	PTC-M5L14*2	PTC-M5L16*2	PTC-M5L16*2	PTC-M5L16*2	PTC-M5L16*2
Single hole shim	PTS-M5*2	PTS-M5*2	PTS-M5*2	PTS-M5*2	PTS-M5*2
T-Nuts	PTN-M5P15*1	PTN-M5P22*1	PTN-M5P25*1	PTN-M5P30*1	PTN-M5P30*1
Weight	50g	70g	95g	90g	150g

Mounting Bracket

SMBE5-G1840T 7.Y00310-T



PN	Model	A(mm)	B(mm)	C(mm)	D(mm)	E(mm)	F(mm)	M(mm)	N(mm)	Weight
7.Y00310	SMBE5-G1840	G1/8	40	75	20	19	6	10	Ø5.2	25g
7.Y00311	SMBE5-G1860	G1/8	60	105	25	26.5	6	15	Ø5.2	42g
7.Y00312	SMBE5-M1040	M10×1	40	75	20	19	6	10	Ø5.2	30g
7.Y00313	SMBE5-M1060	M10×1	60	105	25	26.5	6	15	Ø5.2	40g
7.Y00314	SMBE5-M1240	M12×1	40	75	20	19	6	10	Ø5.2	30g
7.Y00315	SMBE5-M1260	M12×1	60	105	25	26.5	6	15	Ø5.2	47g
7.Y00316	SMBE5-M1440	M14×1	40	75	20	19	6	10	Ø5.2	20g
7.Y00317	SMBE5-M1460	M14×1	60	105	25	26.5	6	15	Ø5.2	40g
7.Y00320	SMBE5-M1640	M16×1	40	75	20	19	6	10	Ø5.2	20g
7.Y00321	SMBE5-M1660	M16×1	60	105	25	26.5	6	15	Ø5.2	40g
7.Y00322	SMBE5-M2040	M20×1	40	75	25	16.5	6	15	Ø5.2	30g
7.Y00323	SMBE5-M2060	M20×1	60	105	25	26.5	6	15	Ø5.2	35g

Screws Single hole shim) T-Nuts Double holes shim	PTC-M5L14*2 PTS-M5*2 PTN-M5P10*1 PTD-M5P10*1	SMBE5-G1840 , SMBE5-M1040, SMBE5-M1240 , SMBE5-M1440, SMBE5-M1640
--	---	---

Screws Single hole shim) T-Nuts Double holes shim	PTC-M5L14*2 PTS-M5*2 PTN-M5P15*1 PTD-M5P15*1	SMBE5-G1860, SMBE5-M1060, SMBE5-M1260, SMBE5-M1460, SMBE5-M1660, SMBE5-M2040 , SMBE5-M2060
--	---	--

Profile - SUS Tube

Stents Module

Quick Changer

Grip Module

Air Nipper

Vacuum Module

Accessory Components

Mounting Bracket

SMBE6-1040T 7.Y00357-T

Profile - SUS Tube

Stents Module

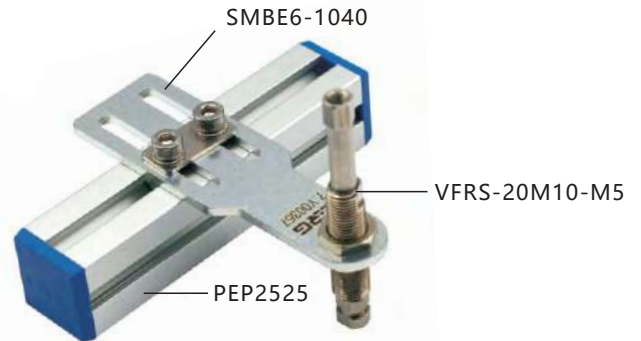
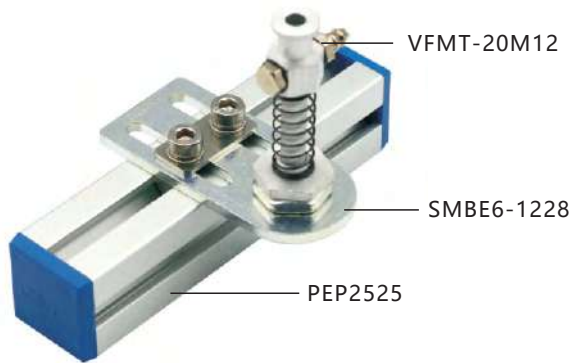
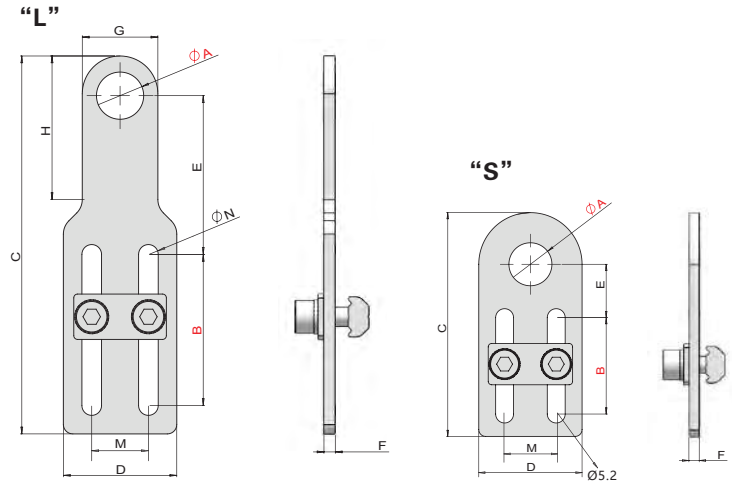
Quick Changer

Grip Module

Air Nipper

Vacuum Module

Accessory Components



PN	Model	A(mm)	B(mm)	C(mm)	D(mm)	E(mm)	F(mm)	G(mm)	H(mm)	M(mm)	N(mm)	Weight
7.Y00357	SMBE6-1040	Ø10.5	40	100	30	42.5	3	20	38	15	Ø5.2	60g
7.Y00358	SMBE6-1240	Ø12.5	40	100	30	42.5	3	20	38	15	Ø5.2	60g
7.Y00359	SMBE6-1440	Ø14.5	40	100	30	42.5	3	24	38	15	Ø5.2	60g
7.Y00360	SMBE6-1640	Ø16.5	40	100	30	42.5	3	30	-	15	Ø5.2	65g
7.Y00361	SMBE6-2040	Ø20.5	40	100	30	42.5	3	30	-	15	Ø5.2	60g
7.Y00362	SMBE6-2240	Ø22.5	40	100	30	42.5	5	35	26	15	Ø5.2	105g
7.Y00363	SMBE6-2540	Ø25.5	40	100	30	42.5	5	35	26	15	Ø5.2	100g
7.Y00364	SMBE6-1028	Ø10.5	28	65	30	15.5	3	-	-	15	Ø5.2	45g
7.Y00365	SMBE6-1228	Ø12.5	28	65	30	15.5	3	-	-	15	Ø5.2	45g
7.Y00366	SMBE6-1428	Ø14.5	28	65	30	15.5	3	-	-	15	Ø5.2	45g
7.Y00367	SMBE6-1628	Ø16.5	28	65	30	15.5	3	-	-	15	Ø5.2	45g
7.Y00368	SMBE6-2028	Ø20.5	28	65	30	15.5	3	-	-	15	Ø5.2	40g
7.Y00369	SMBE6-2228	Ø22.5	28	70	30	17	5	35	26	15	Ø5.2	75g
7.Y00370	SMBE6-2528	Ø25.5	28	70	30	17	5	35	26	15	Ø5.2	70g

Accessoirier selection

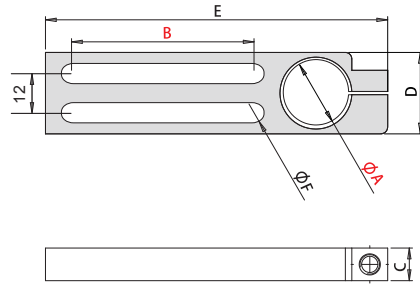
Accessoirier selection 1

Screws	PTC-M5L10*2	SMBE6-1040, SMBE6-1240, SMBE6-1440
Single hole shim)	PTS-M5*2	SMBE6-1640, SMBE6-2040, SMBE6-1028
T-Nuts	PTN-M5P15*1	SMBE6-1228, SMBE6-1428, SMBE6-1628
Double holes shim	PTD-M5P15*1	SMBE6-2028

Accessoirier selection 2

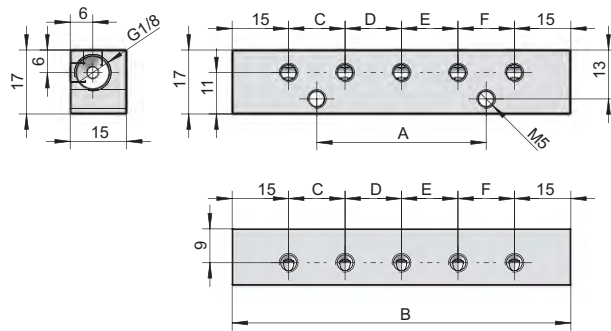
Screws	PTC-M5L12*2	SMBE6-2240, SMBE6-2540
Single hole shim)	PTS-M5*2	
T-Nuts	PTN-M5P15*1	SMBE6-2228, SMBE6-2528
Double holes shim	PTD-M5P15*1	

Cylinder Bracket

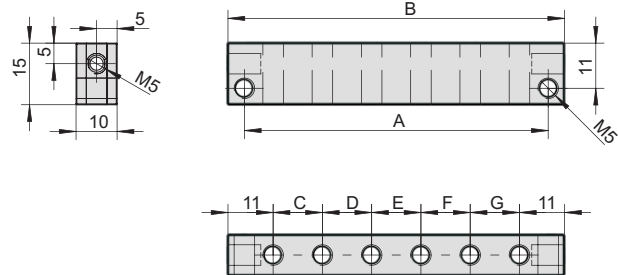
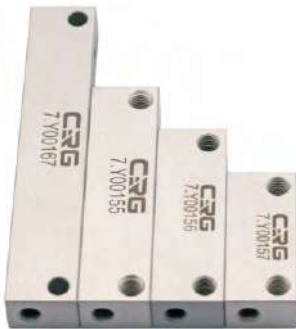


PN	Model	A	B	C	D	E	F	Weight
7.Y00062	SMBE7-0856	Ø8	56	10	25	90	6.5	40g
7.Y00021	SMBE7-1256	Ø12	56	10	25	95	6.5	43g
7.Y00006	SMBE7-2056	Ø20	56	10	25	105	6.5	47g

Side Manifold Block

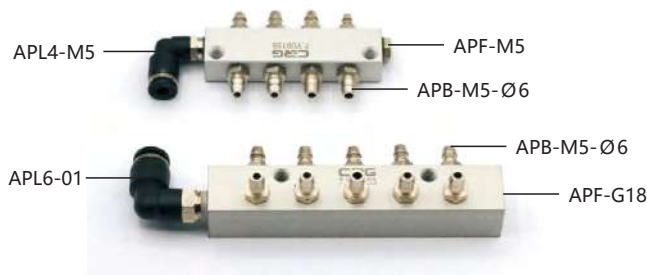


PN	Model	A	B	C	D	E	F	Weight
7.Y00153	SMB-10M5-02G18	45	90	15	15	15	15	51g
7.Y00154	SMB-08M5-02G18	30	75	15	15	15	-	42g



PN	Model	A	B	C	D	E	F	G	Weight
7.Y00157	SMB-06M5	26	34	12	-	-	-	-	10g
7.Y00156	SMB-08M5	38	46	12	12	-	-	-	14g
7.Y00155	SMB-10M5	50	58	12	12	12	-	-	18g
7.Y00167	SMB-14M5	74	82	12	12	12	12	12	26g

Application example



Profile · SUS Tube

Stents Module

Quick Changer

Grip Module

Air Nipper

Vacuum Module

Accessory Components

Side Manifold Block

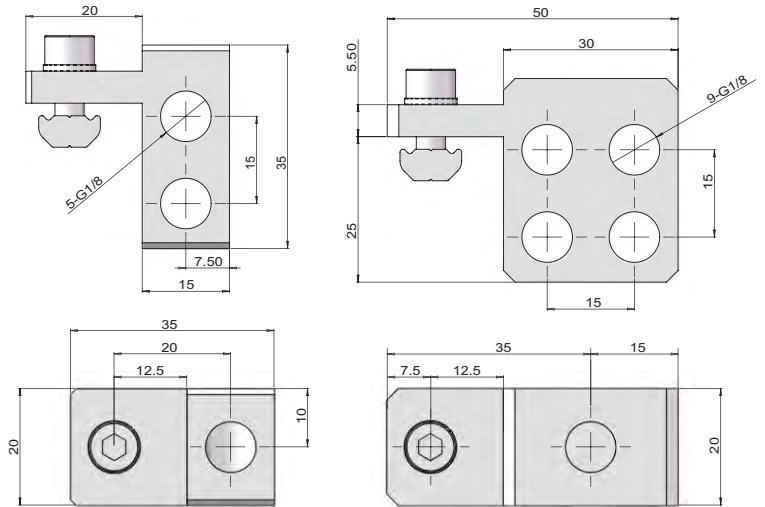
SMB-5G18T 7.Y00229-T



G1/8(x5)



G1/8(x9)



PN	7.Y00229	7.Y00231
Model	SMB-5G18	SMB-9G18
PEP1818	✓	✓
PEP2510	✓	✓
PEP2518	✓	✓
PEP2525	✓	✓
PEP5025	✓	✓
Screws	PTC-M5L14*1	PTC-M5L14*1
Single hole shim	PTS-M5*1	PTS-M5*1
T-Nuts	PTN-M5*1	PTN-M5*1
Weight	30g	50g

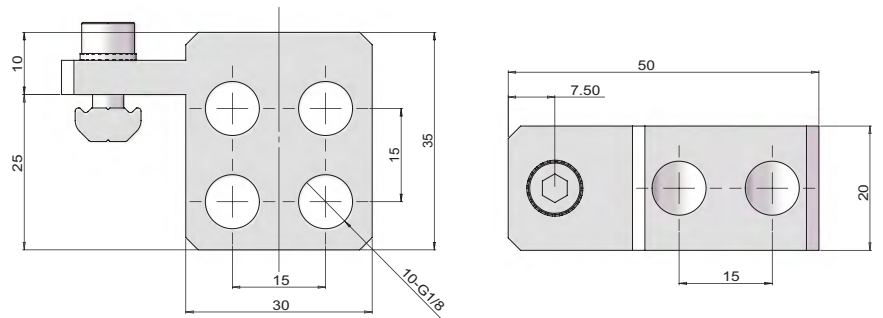


Side Manifold Block

SMB-D5G18T 7.Y00230-T



G1/8(5+5)

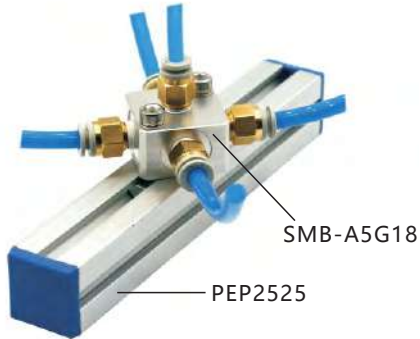
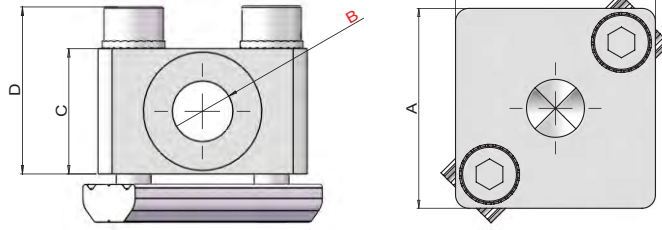


PN	7.Y00230
Model	SMB-D5G18
PEP1818	✓
PEP2510	✓
PEP2518	✓
PEP2525	✓
PEP5025	✓
Screws	PTC-M5L14*1
Single hole shim	PTS-M5*1
T-Nuts	PTN-M5*1
Weight	48g



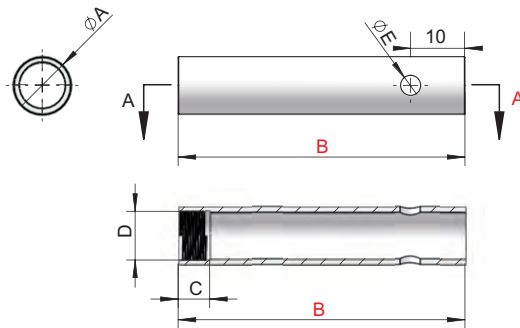
Manifold Block

SMB-A5G18T 7.Y00240-T



PN	7.Y00240	7.Y00241
Model	SMB-A5G18	SMB-A5G14
A(mm)	30	40
B(mm)	(x5)G1/8	(x5)G1/4
C(mm)	18	20
D(mm)	24	23
Accessories selection		
Screws	PTC-M5L25*2	PTC-M5L25*2
Single hole shim	PTS-M5*2	PTS-M5*2
T-Nuts	PTN-M5P28*1	PTN-M5P35*1
Weight	50g	80g

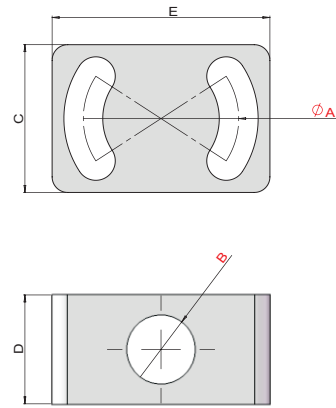
Extension Tube



PN	Model	A	B	C	D	E	Weight
7.Y00736	SMBY12-50	Ø12	50	12	M10*1	5	9g
7.Y00735	SMBY12-100	Ø12	100	12	M10*1	5	17g
7.Y00733	SMBY14-50	Ø14	50	12	M12*1	5	10g
7.Y00734	SMBY14-100	Ø14	100	12	M12*1	5	20g
7.Y00732	SMBY20-50	Ø20	50	15	M17*1	8	16g
7.Y00731	SMBY20-100	Ø20	100	15	M17*1	8	31g
7.Y00462	SMBY20-150	Ø20	150	15	M17*1	8	47g
7.Y00729	SMBY30-50	Ø30	50	18	M27*1	9	29g
7.Y00730	SMBY30-100	Ø30	100	18	M27*1	9	58g
7.Y00463	SMBY30-150	Ø30	150	18	M27*1	9	87g

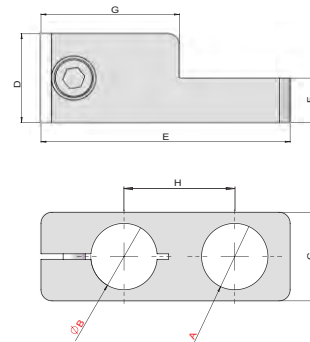
Profile - SUS Tube
Stents Module
Quick Changer
Grip Module
Air Nipper
Vacuum Module
Accessory Components

Swing Block



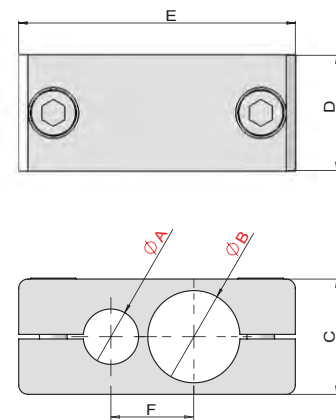
PN	Model	A	B	C	D	E	重量(Weight)
7.Y00048	SMBT4-G1820	Ø20	G1/8	19	14	28	11g

SSW Connector SSW



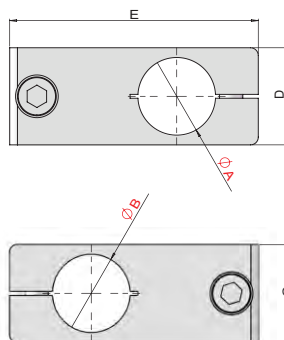
PN	Model	A	B	C	D	E	F	G	H	Weight
7.Y00028	SMBT1-M1412	M14	Ø12	16	16	45	8	25	20	16g

Parallel Connector

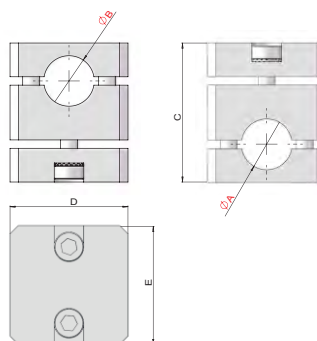


PN	Model	A	B	C	D	E	F	Weight
7.Y00042	SMBP-0808	Ø8	Ø8	12	12	35	10	11g
7.Y00043	SMBP-0812	Ø8	Ø12	16	16	43	12	23g
7.Y00044	SMBP-1212	Ø12	Ø12	16	16	44	14	21g
7.Y00045	SMBP-2012	Ø20	Ø12	25	25	60	18	75g
7.Y00046	SMBP-2020	Ø20	Ø20	25	25	66	24	71g

Cross Connector

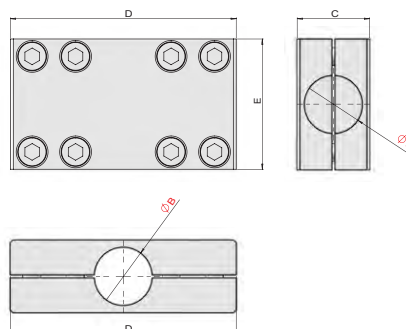


PN	Model	A	B	C	D	E	Weight
7.Y00025	SMBT-0808	Ø8	Ø8	12	12	35	10g
7.Y00026	SMBT-1208	Ø12	Ø8	12	16	43	16g
7.Y00020	SMBT-1212	Ø12	Ø12	16	16	47	22g
7.Y00794	SMBT-1214	Ø12	Ø14	18	18	48	29g
7.Y00027	SMBT-2012	Ø20	Ø12	25	25	59	72g
7.Y00005	SMBT-2020	Ø20	Ø20	25	25	64	68g



PN	Model	A	B	C	D	E	Weight
7.Y00192	SMBT2-1212	Ø12	Ø12	33	28	28	11g
7.Y00185	SMBT2-2020	Ø20	Ø20	48	42	42	30g

Cross Connector#2



PN	Model	A	B	C	D	E	Weight
7.Y00047	SMBT3-2020	Ø20	Ø20	25	78	45	170g

Profile - SUS Tube

Stents Module

Quick Changer

Grip Module

Air Nipper

Vacuum Module

Accessory Components

T Connector

Profile - SUS Tube

Stents Module

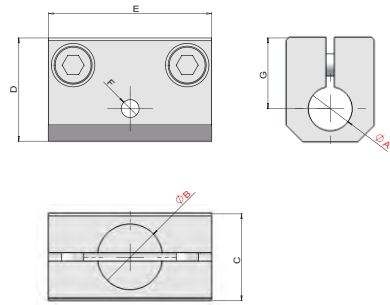
Quick Changer

Grip Module

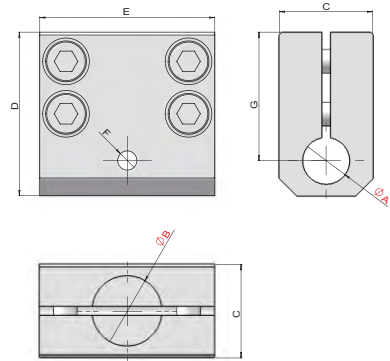
Air Nipper

Vacuum Module

Accessory Components

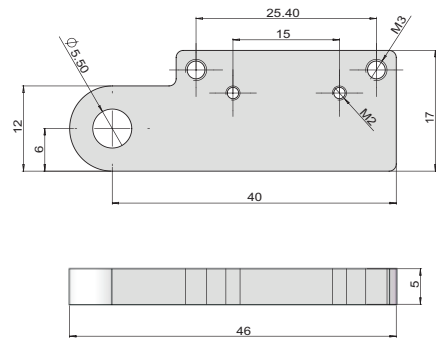


PN	Model	A	B	C	D	E	F	G	Weight
7.Y00029	SMBF-0808	Ø8	Ø8	12	20	30	M4	14	14g
7.Y00030	SMBF-0812	Ø8	Ø12	16	20	30	M4	14	23g
7.Y00031	SMBF-1208	Ø12	Ø8	16	26	30	M4	16	19g
7.Y00032	SMBF-1212	Ø12	Ø12	16	26	30	M4	16	18g
7.Y00033	SMBF-1220	Ø12	Ø20	25	30	45	M4	20	60g
7.Y00034	SMBF-2012	Ø20	Ø12	25	40	45	M4	25	63g
7.Y00035	SMBF-2020	Ø20	Ø20	25	40	45	M4	25	56g

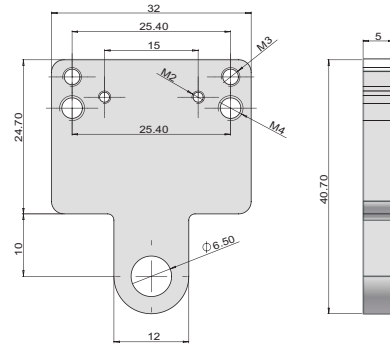


PN	Model	A	B	C	D	E	F	G	Weight
7.Y00036	SMBF1-0808	Ø8	Ø8	12	28	26	M4	22	15g
7.Y00037	SMBF1-0812	Ø8	Ø12	16	28	30	M4	22	31g
7.Y00038	SMBF1-1208	Ø12	Ø8	16	35	30	M4	25	29g
7.Y00003	SMBF1-1212	Ø12	Ø12	16	35	30	M4	25	26g
7.Y00039	SMBF1-1220	Ø12	Ø20	25	44	45	M4	34	88g
7.Y00040	SMBF1-2012	Ø20	Ø12	25	54	45	M4	39	111g
7.Y00041	SMBF1-2020	Ø20	Ø20	25	51.5	45	M4	39	78g

Sensor Bracket

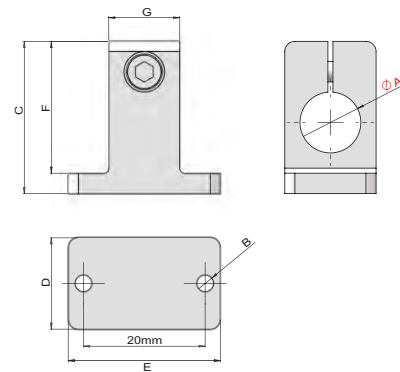


PN	Model	Weight
7.Y00070	SMBJ1-5	9g



PN	Model	Weight
7.Y00071	SMBJ2-6	12g

Chuck Bracket



PN	Model	A	B	C	D	E	F	G	Weight
7.Y00072	SMBT5-8	$\phi 8$	M4	25	12	27	22	12	10g
7.Y00073	SMBT5-12	$\phi 12$	M4	30	18	30	26	14	19g

Profile - SUS Tube

Stents Module

Quick Changer

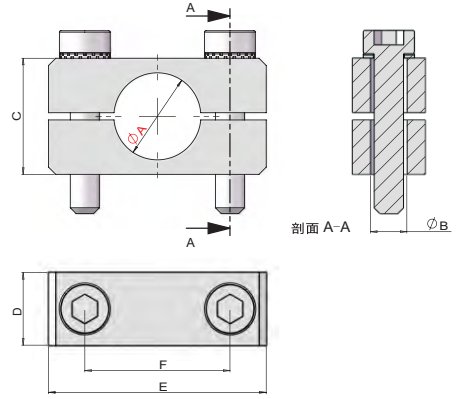
Grip Module

Air Nipper

Vacuum Module

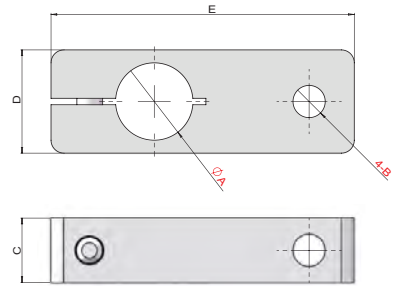
Accessory Components

Bracket



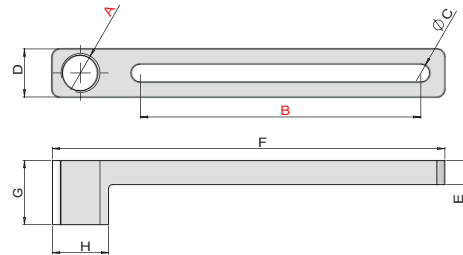
PN	Model	A	B	C	D	E	F	Weight
7.Y00074	SMBT6-12	Ø12	Ø6.5	16	16	40	30	35g

Suction Bracket

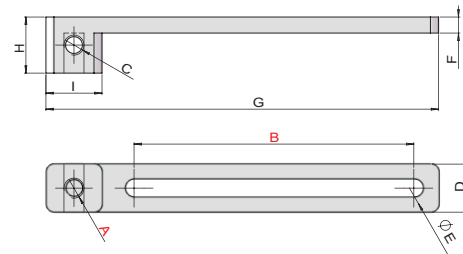


PN	Model	A	B	C	D	E	Weight
7.Y00057	SMBG1-8M5	Ø8	M5	12	12	33	9g
7.Y00058	SMBG1-8M6	Ø8	M6	10	12	33	9g
7.Y00059	SMBG1-12M5	Ø12	M5	10	16	47	16g
7.Y00060	SMBG1-12M6	Ø12	M6	10	16	47	16g
7.Y00061	SMBG1-12G18	Ø12	G1/8	16	16	47	25g

Slide Bracket



PN	Model	A	B	C	D	E	F	G	H	Weight
7.Y00115	SCF1-40M3	M3	40	4.5	12	5	56	10	8	7g
7.Y00118	SCF1-40G18	G1/8	40	4.5	12	6	68	16	14	12g
7.Y00129	SCF1-70M3	M3	70	4.5	12	5	86	10	8	10g
7.Y00132	SCF1-70G18	G1/8	70	4.5	12	6	98	16	14	15g



PN	Model	A	B	C	D	E	F	G	H	I	Weight
7.Y00173	SCF2-40M5	M5	40	M5	12	4.5	4	68	14	14	9g
7.Y00117	SCF2-40M6	M6	40	M6	12	4.5	4	68	14	14	10g
7.Y00130	SCF2-70M5	M5	70	M5	12	4.5	4	98	14	14	12g
7.Y00131	SCF2-70M6	M6	70	M6	12	4.5	4	98	14	14	13g

Profile - SUS Tube

Stents Module

Quick Changer

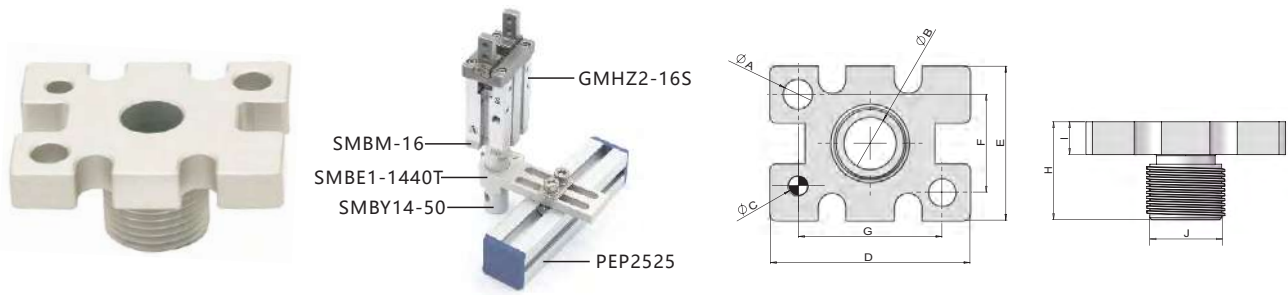
Grip Module

Air Nipper

Vacuum Module

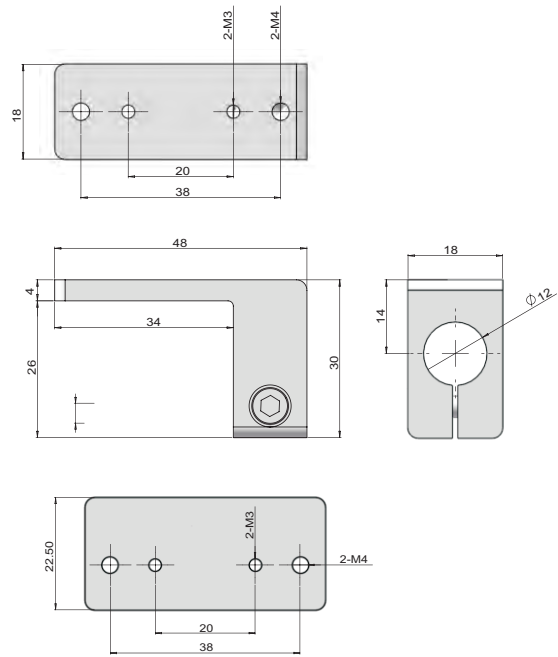
Accessory Components

Gripper Installation Bracket



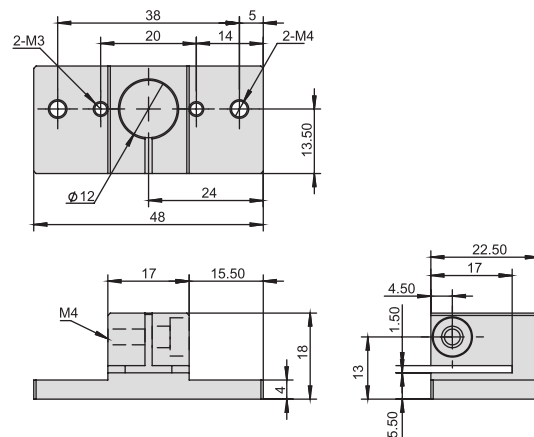
PN	Model	A	B	C	D	E	F	G	H	I	J	Weight
7.Y00740	SMBM-10	Ø3.2	Ø6	Ø2	23	16.4	12	18	14	4	M10*1	5g
7.Y00741	SMBM-16	Ø4.2	Ø7	Ø3	30.6	23.6	15	22	15	5	M12*1	10g
7.Y00728	SMBM-20	Ø5.5	Ø7	Ø4	42	27.6	18	32	15	5	M12*1	14g
7.Y00739	SMBM-25	Ø6.5	Ø11	Ø5	52	33.6	22	40	18	6	M12*1	27g
7.Y00738	SMBM-32	Ø6.5	Ø11	Ø5	60	40	26	46	18	6	M17*1	36g
7.Y00737	SMBM-40	Ø8.5	Ø20	Ø5	72	48	32	56	20	8	M27*1	67g

Bracket L12



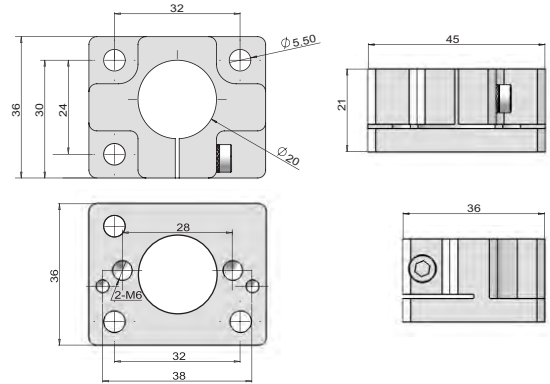
PN	Model	Weight
7.Y00081	SMBT9-12	23g

Bracket T



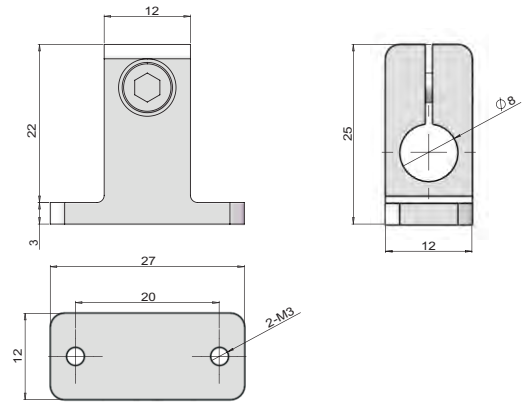
PN	Model	Weight
7.Y00082	SMBU-12	21g

Bracket T

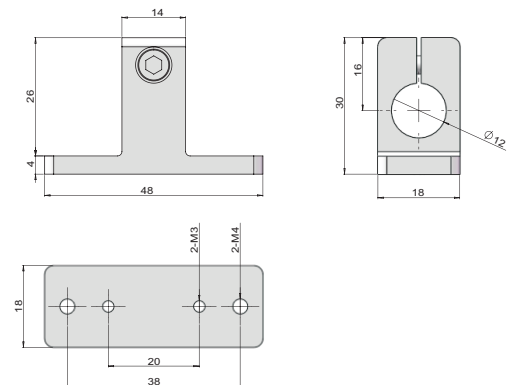


PN	Model	Weight
7.Y00255	SMBU2-20	49g

Bracket TH

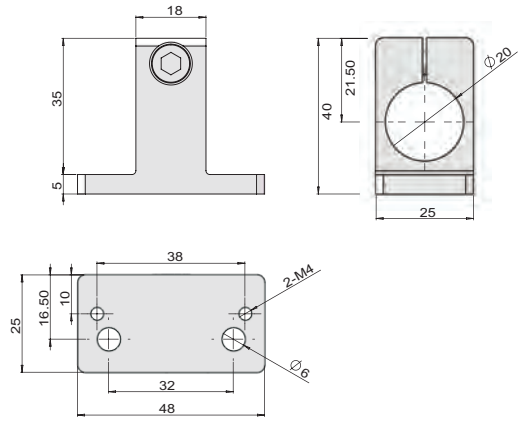


PN	Model	Weight
7.Y00085	SMBU3-8	10g



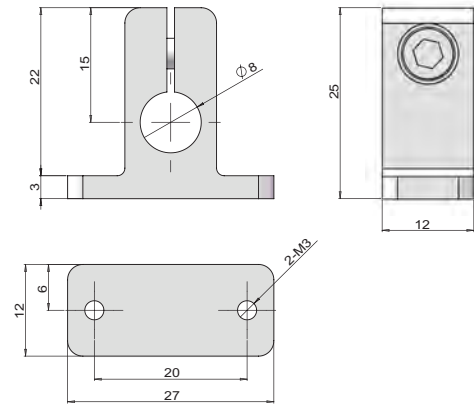
PN	Model	Weight
7.Y00086	SMBU4-12	22g

Bracket TH

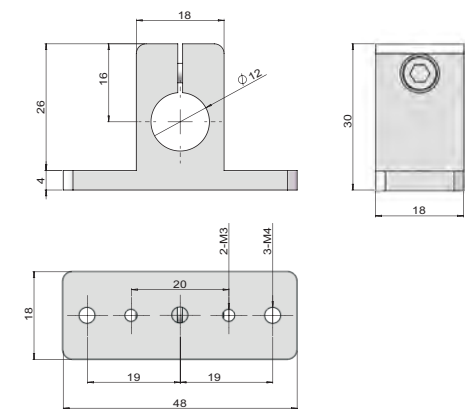


PN	Model	Weight
7.Y00087	SMBU5-20	44g

Bracket TV



PN	Model	Weight
7.Y00088	SMBU6-8	10g



PN	Model	Weight
7.Y00089	SMBU7-12	26g

Profile - SUS Tube

Stents Module

Quick Changer

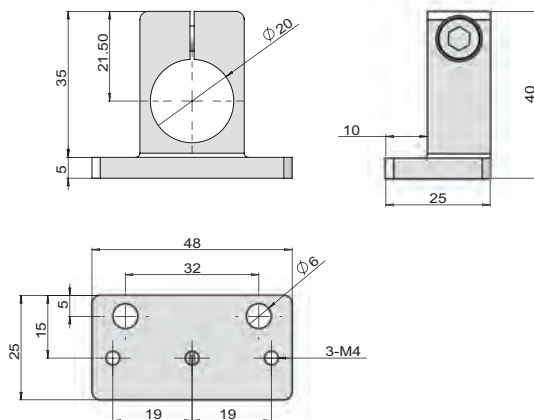
Grip Module

Air Nipper

Vacuum Module

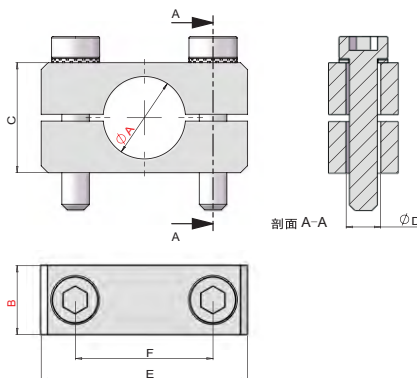
Accessory Components

Bracket T



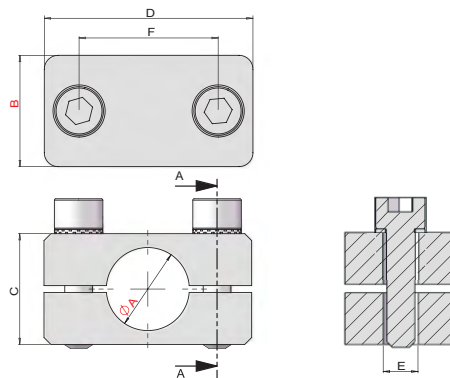
PN	Model	Weight
7.Y00090	SMBU8-20	39g

Bracket



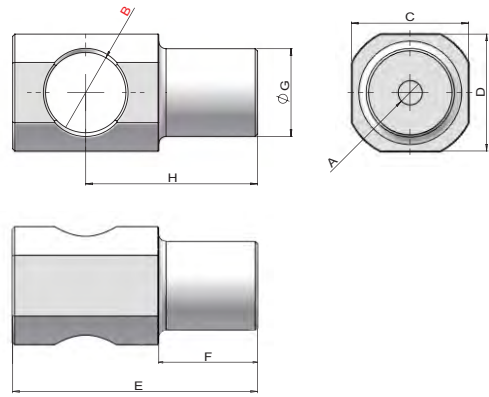
PN	Model	A	B	C	D	E	F	Weight
7.Y00091	SMBK1-8T10	$\Phi 8$	10	16	$\Phi 5.5$	30	20	20g
7.Y00092	SMBK1-12T10	$\Phi 12$	10	16	$\Phi 5.5$	30	20	14g
7.Y00093	SMBK1-20T10	$\Phi 20$	10	27	$\Phi 6.5$	40	30	36g
7.Y00094	SMBK1-8T16	$\Phi 8$	16	16	$\Phi 6.5$	30	20	32g
7.Y00095	SMBK1-12T16	$\Phi 12$	16	16	$\Phi 4.5$	30	20	20g
7.Y00096	SMBK1-20T16	$\Phi 20$	16	27	$\Phi 6.5$	40	30	48g

Slide Bracket

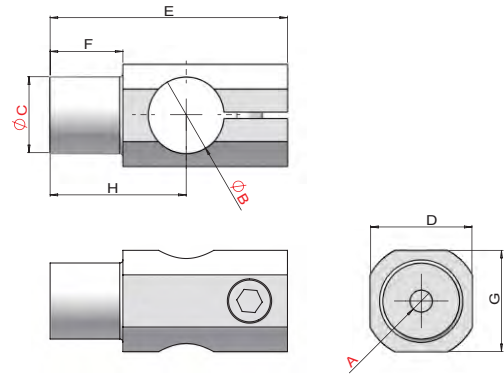


PN	Model	A	B	C	D	E	F	Weight
7.Y00064	SMBS-8T10	$\Phi 8$	10	16	30	M4	20	16g
7.Y00065	SMBS-12T10	$\Phi 12$	10	16	30	M4	20	15g
7.Y00066	SMBS-20T10	$\Phi 20$	10	25	40	M6	30	33g
7.Y00067	SMBS-8T16	$\Phi 8$	16	16	30	M6	20	29g
7.Y00001	SMBS-12T16	$\Phi 12$	16	16	30	M6	20	29g
7.Y00068	SMBS-20T16	$\Phi 20$	16	25	40	M6	30	44g

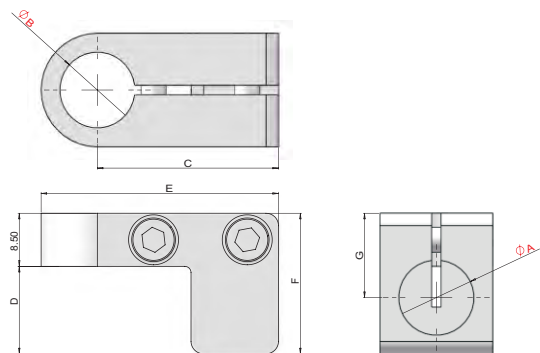
Rotation Bracket



PN	Model	A	B	C	D	E	F	G	H	Weight
7.Y00099	SMBR2-M10	M4	M10	14	14	26.5	11.5	Ø8	19	6g
7.Y00100	SMBR2-M12	M4	M12	16	16	33.5	13.5	Ø12	23.5	12g



PN	Model	A	B	C	D	E	F	G	H	Weight
7.Y00103	SMBR4-0808M4	M4	Ø8	Ø8	12	32.5	11.5	12	17.5	7g
7.Y00110	SMBR4-1208M4	M4	Ø12	Ø8	16	37.5	11.5	16	21.5	13g
7.Y00019	SMBR4-1212M4	M4	Ø12	Ø12	16	39.5	13.5	16	23.5	15g
7.Y00268	SMBR4-1212M4L	M4	Ø12	Ø12	16	55	29	16	39	20g
7.Y00461	SMBR4-1420M6	M6	Ø14	Ø20	25	60	20	25	37	70g
7.Y00007	SMBR4-2020M6	M6	Ø20	Ø20	25	60	20	25	37	59g
7.Y00206	SMBR4-2020M6L	M6	Ø20	Ø20	25	85	45	25	62	81g



PN	Model	A	B	C	D	E	F	G	Weight
7.Y00111	SMBR5-1208	Ø12	Ø8	29	14	38	22.5	13.5	24g
7.Y00104	SMBR5-0808	Ø8	Ø8	29	11.5	36	20	13	16g
7.Y00112	SMBR5-1212	Ø12	Ø12	29	14	38	22.5	13.5	18g

Profile - SUS Tube

Stents Module

Quick Changer

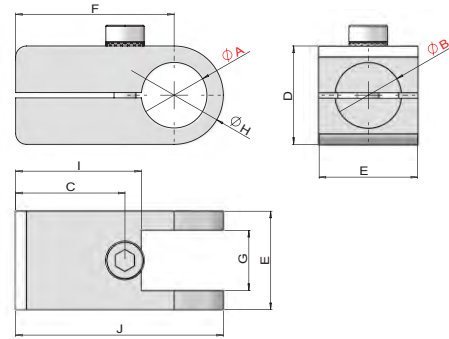
Grip Module

Air Nipper

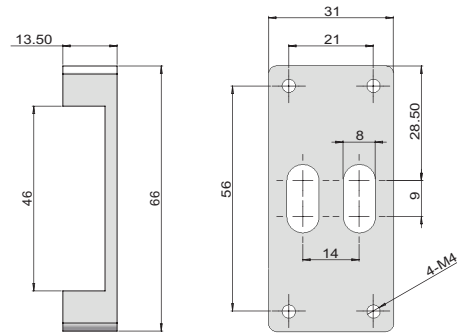
Vacuum Module

Accessory Components

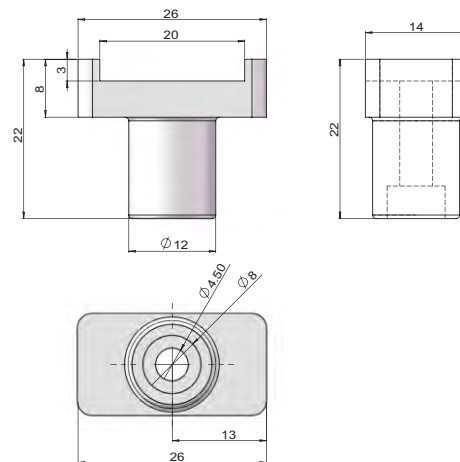
Rotation Bracket



PN	Model	A	B	C	D	E	F	G	H	I	J	Weight
7.Y00113	SMBR7-0808	Ø8	Ø8	M4	15	15	25	10	15	21	32.5	13g
7.Y00114	SMBR7-1212	Ø12	Ø12	M4	18	18	29	11	18	23	38	18g



PN	Model	Weight
7.Y00063	SMBR-46	31g



PN	Model	Weight
7.Y00098	SMBR1-12	9g

Profile - SUS Tube

Stents Module

Quick Changer

Grip Module

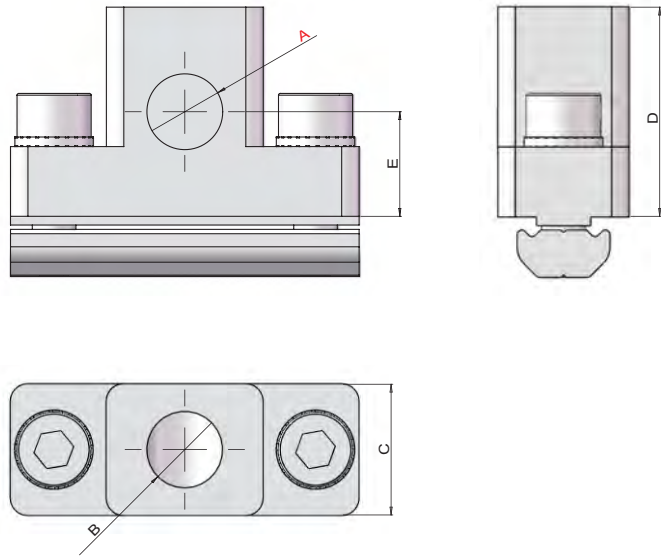
Air Nipper

Vacuum Module

Accessory Components

Direct Connector For Vacuum Cup

SVA-G18T 7.Y00235-T



PN	7.Y00235	7.Y00237
Model	SVA-G18	SVA-G14
A(mm)	G1/8	G1/4
B(mm)	G1/8	G1/8
C(mm)	15	15
D(mm)	24	24
E(mm)	12	10
PEP2518	√	√
PEP2525	√	√
PEP5025	√	√
PEP4040	√	√
Screws	PTC-M5L16*2	PTC-M5L16*2
Single hole shim	PTS-M5*2	PTS-M5*2
T-Nuts	PTN-M5P30*1	PTN-M5P30*1
Weight	42g	40g

Profile · SUS Tube

Stents Module

Quick Changer

Grip Module

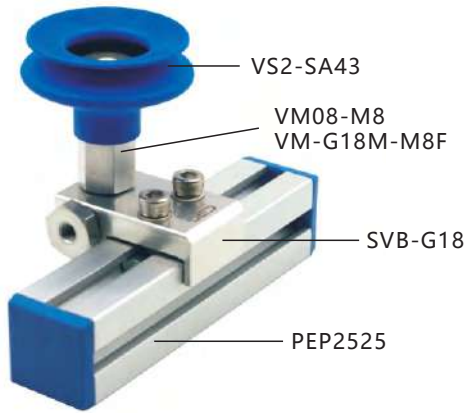
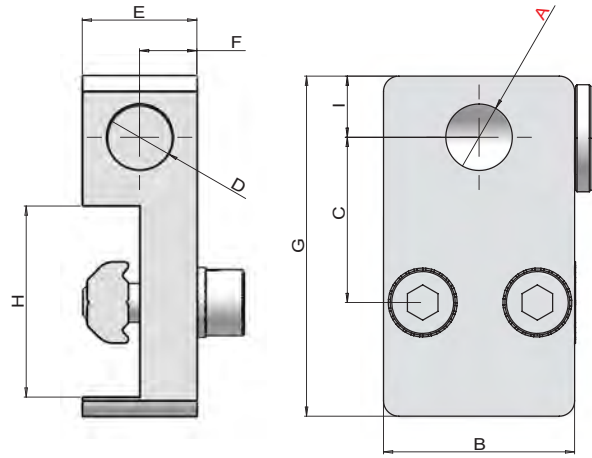
Air Nipper

Vacuum Module

Accessory Components

Direct Connector For Vacuum Cup

SVB-M5T 7.Y00242-T



PN	7.Y00242	7.Y00244	7.Y00243
Model	SVB-M5	SVB-G18	SVB-G14
A(mm)	M5	G1/8	G1/4
B(mm)	16	25	25
C(mm)	13.5	21.5	21.5
D(mm)	M5	G1/8	G1/8
E(mm)	8	15	15
F(mm)	4	7.5	7.5
G(mm)	29	44.5	46.5
H(mm)	18	25	25
I (mm)	4.3	8	10
PEP2518	-	√	√
PEP2525	-	√	√
PEP5025	-	√	√
Screws	PTC-M4L12*2	PTC-M5L16*2	PTC-M5L16*2
Single hole shim	PTS-M4*2	PTS-M5*2	PTS-M5*2
T-Nuts	PTN-M4P8*1	PTN-M5P15*1	PTN-M5P15*1
Weight	15g	45g	45g

Profile / SUS Tube

Stents Module

Quick Changer

Grip Module

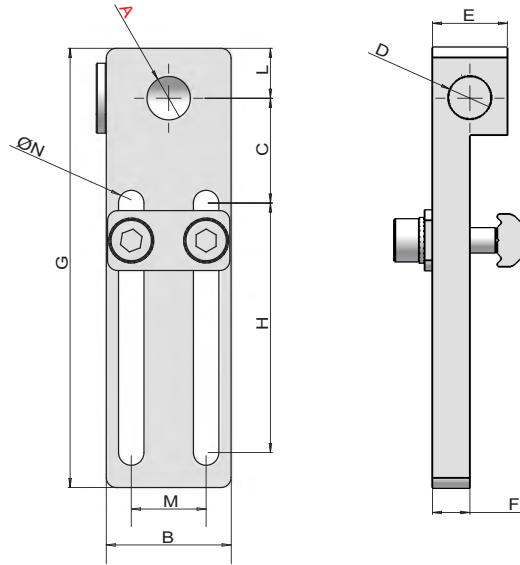
Air Nipper

Vacuum Module

Accessory Components

Mounting Bracket For Vacuum Cup

SVC-M5T 7.Y00328-T



PN	7.Y00328	7.Y00238	7.Y00239
Model	SVC-M5	SVC-G18	SVC-G14
A(mm)	M5	G1/8	G1/4
B(mm)	16	25	25
C(mm)	14	21	21
D(mm)	M5	G1/8	G1/8
E(mm)	8	15	15
F(mm)	4	7.5	7.5
G(mm)	65	88	88
H(mm)	40	50	50
L(mm)	6	10	10
M(mm)	8	15	15
N(mm)	Ø4.2	Ø5.2	Ø5.2
PEP2518	√	√	√
PEP2525	√	√	√
PEP5025	√	√	√
PEP4040	-	√	√
Screws	PTC-M4L12*2	PTC-M5L16*2	PTC-M5L16*2
Single hole shim	PTS-M4*2	PTS-M5*2	PTS-M5*2
T-Nuts	PTN-M4P8*1	PTN-M5P15*1	PTN-M5P15*1
Double holes shim	PTD-M4P8*1	PTD-M5P15*1	PTD-M5P15*1
Weight	20g	60g	60g

Profile - SUS Tube

Stents Module

Quick Changer

Grip Module

Air Nipper

Vacuum Module

Accessory Components

Mounting Bracket For Vacuum Cup

SVD-M5T 7.Y00416-T

Profile · SUS Tube

Stents Module

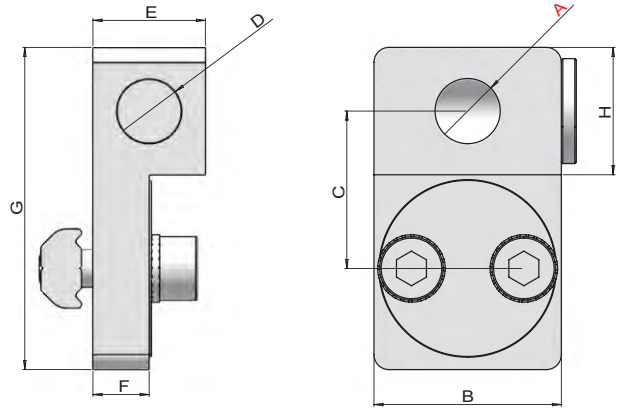
Quick Changer

Grip Module

Air Nipper

Vacuum Module

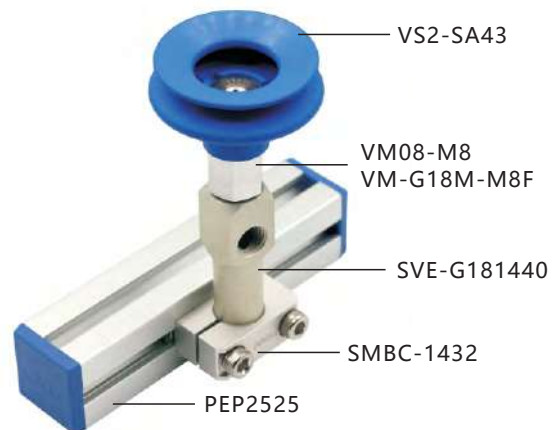
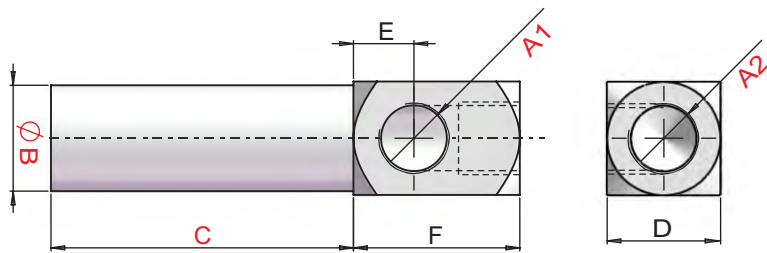
Accessory Components



PN	7.Y00416	7.Y00417	7.Y00418
Model	SVD-M5	SVD-G18	SVD-G14
A(mm)	M5	G1/8	G1/4
B(mm)	16	25	25
C(mm)	13	21	21
D(mm)	M5	G1/8	G1/8
E(mm)	10	15	15
F(mm)	5.3	7.8	7.8
G(mm)	28	43	43
H(mm)	10	17	17
PEP2518	√	√	√
PEP2525	√	√	√
PEP5025	√	√	√
PEP4040	-	√	√
Screws	PTC-M4L12*2	PTC-M5L16*2	PTC-M5L16*2
Single hole shim	PTS-M4*2	PTS-M5*2	PTS-M5*2
T-Nuts	PTN-M4P8*1	PTN-M5P15*1	PTN-M5P15*1
Weight	15g	45g	42g

Leg For Vacuum Cup

Application example



PN	Model	A1(mm)	A2(mm)	B(mm)	C(mm)	D(mm)	E(mm)	F(mm)	Weight
7.Y00410	SVE-M51030	M5	M5	Ø10	30	11	6	16	10g
7.Y00411	SVE-M51060	M5	M5	Ø10	60	11	6	16	13g
7.Y00412	SVE-M51090	M5	M5	Ø10	90	11	6	16	17g
7.Y00772	SVE-M51230	M5	M5	Ø12	30	13	7	17	12g
7.Y00773	SVE-M51260	M5	M5	Ø12	60	13	7	17	15g
7.Y00774	SVE-M51290	M5	M5	Ø12	90	13	7	17	19g
7.Y00413	SVE-G181440	G1/8	G1/8	Ø14	40	15	8	22	17g
7.Y00414	SVE-G181480	G1/8	G1/8	Ø14	80	15	8	22	25g
7.Y00415	SVE-G1814120	G1/8	G1/8	Ø14	120	15	8	22	32g
7.Y00008	SVE-G142050	G1/8	G1/4	Ø20	50	20	8	23	40g
7.Y00009	SVE-G1420100	G1/8	G1/4	Ø20	100	20	8	23	60g
7.Y00010	SVE-G1420150	G1/8	G1/4	Ø20	150	20	8	23	75g

Profile - SUS Tube

Stents Module

Quick Changer

Grip Module

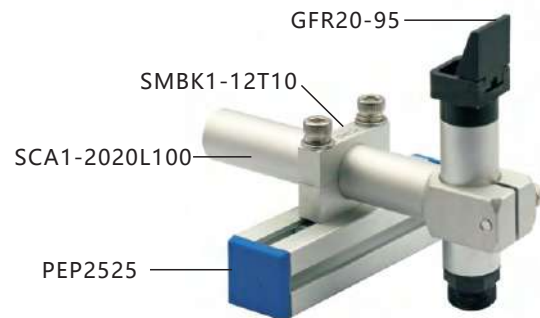
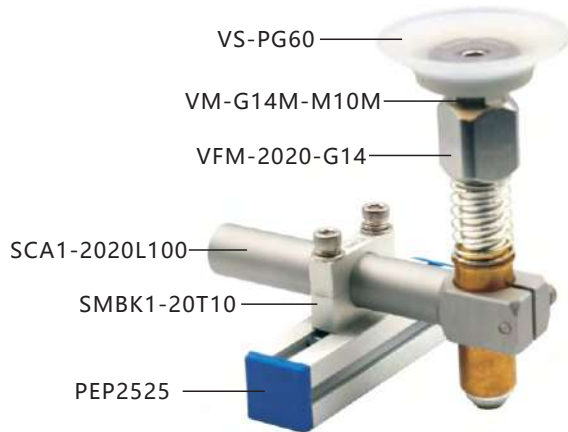
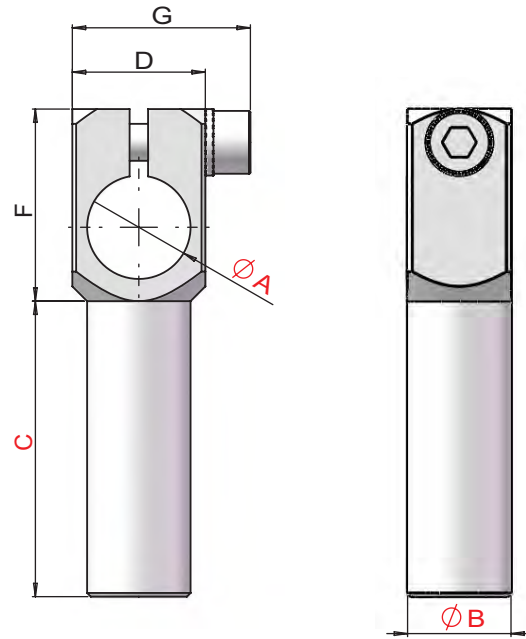
Air Nipper

Vacuum Module

Accessory Components

Clamp Leg

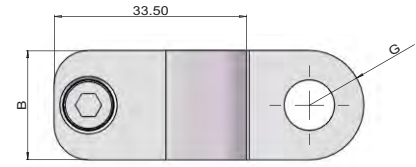
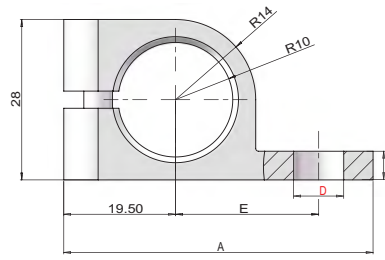
Application example



PN	Model	A(mm)	B(mm)	C(mm)	D(mm)	F(mm)	G(mm)	Weight
7.Y00398	SCA1-1010L30	Ø10	Ø10	30	14	19	19	10g
7.Y00399	SCA1-1010L60	Ø10	Ø10	60	14	19	19	15g
7.Y00400	SCA1-1010L90	Ø10	Ø10	90	14	19	19	20g
7.Y00769	SCA1-1212L30	Ø12	Ø12	30	19	21	21	13g
7.Y00770	SCA1-1212L60	Ø12	Ø12	60	19	21	21	18g
7.Y00771	SCA1-1212L90	Ø12	Ø12	90	19	21	21	23g
7.Y00401	SCA1-1414L40	Ø14	Ø14	40	18	26	24	20g
7.Y00402	SCA1-1414L80	Ø14	Ø14	80	18	26	24	30g
7.Y00403	SCA1-1414L120	Ø14	Ø14	120	18	26	24	40g
7.Y00404	SCA1-2020L50	Ø20	Ø20	50	25	32	32	45g
7.Y00405	SCA1-2020L100	Ø20	Ø20	100	25	32	32	70g
7.Y00406	SCA1-2020L150	Ø20	Ø20	150	25	32	32	105g
7.Y00407	SCA1-3030L80	Ø30	Ø30	80	40	44	46	170g
7.Y00408	SCA1-3030L140	Ø30	Ø30	140	40	44	46	230g
7.Y00409	SCA1-3030L200	Ø30	Ø30	200	40	44	46	300g

Swivelling Support

Application example

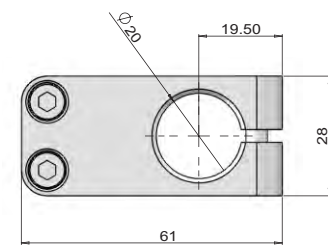
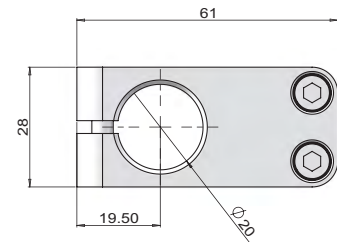
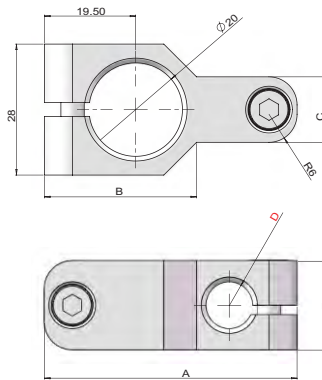


PN	7.Y00236	7.Y00234
Spec	SCC-20G18	SCC-20M16
A(mm)	53.5	60.5
B(mm)	19	24
C(mm)	5	6
D(mm)	G1/8	M16×1
E(mm)	25	29
G(mm)	R9.5	R12
Weight	30g	40g



Cross Connection Block

Application example



SCD-2020

PN	7.Y00329	7.Y00330	7.Y00233
Model	SCD-2010	SCD-2014	SCD-2020
A(mm)	54	56	
B(mm)	32.5	30.5	
C(mm)	14	18	
D(mm)	Ø10	Ø14	
E(mm)	19	22	
Weight	40g	45g	70g



Profile · SUS Tube

Stents Module

Quick Changer

Grip Module

Air Nipper

Vacuum Module

Accessory Components

NR Nipper Mounting Bracket

Profile - SUS Tube

Stents Module

Quick Changer

Grip Module

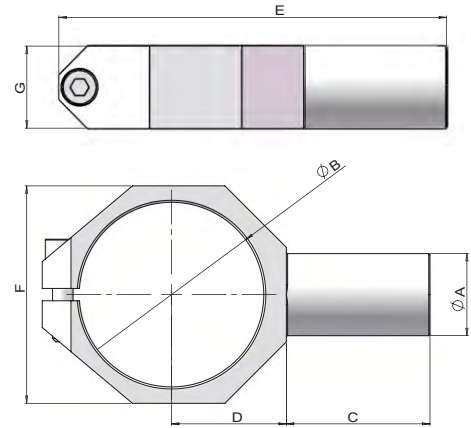
Air Nipper

Vacuum Module

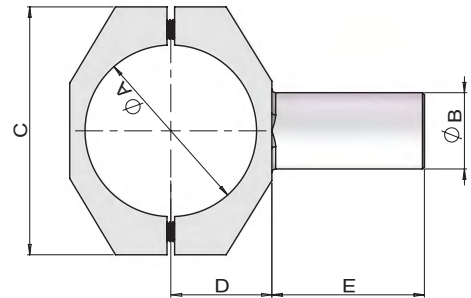
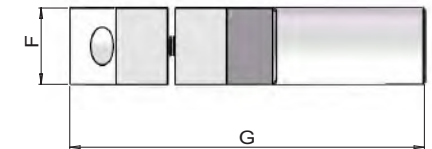
Accessory Components



PN	7.Y00331	7.Y00261	7.Y00742
Model	SCE-NR20	SCE-NR30	SCE-NR50
A(mm)	Ø20	Ø20	Ø30
B(mm)	Ø45	Ø56	Ø75
C(mm)	35	40	48
D(mm)	28	33	41
E(mm)	94.5	111	138
F(mm)	53	65	83
G(mm)	20	25	40
Weight	65g	110g	308g



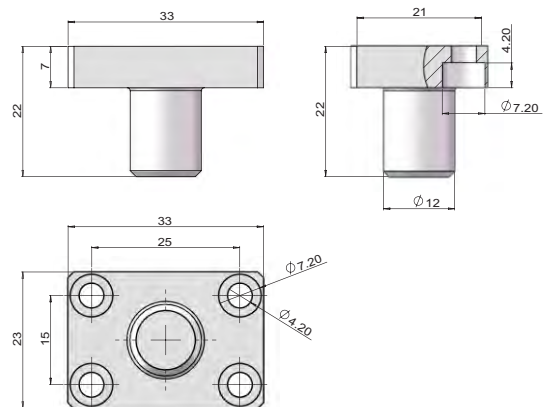
PN	7.Y00692	7.Y00693
Model	SCE1-NS20	SCE1-NS30
A(mm)	Ø45	Ø56
B(mm)	Ø20	Ø20
C(mm)	65	76
D(mm)	28	33
E(mm)	40	40
F(mm)	20	20
G(mm)	94	106
Weight	111g	123g



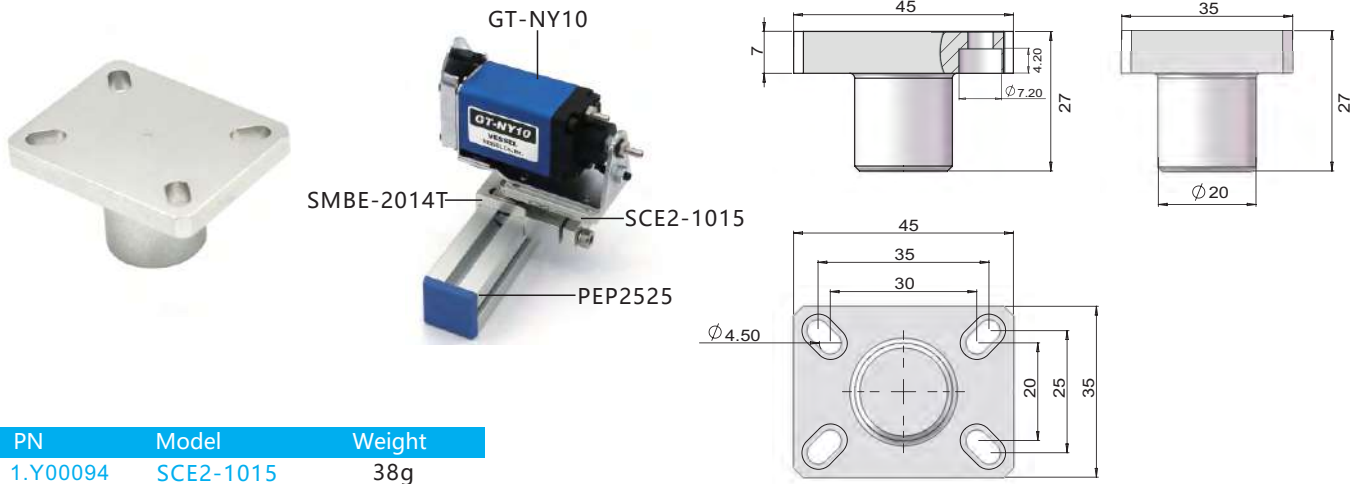
NY05 Fixing Block



PN	Model	Weight
7.Y00796	SCE2-05	17g

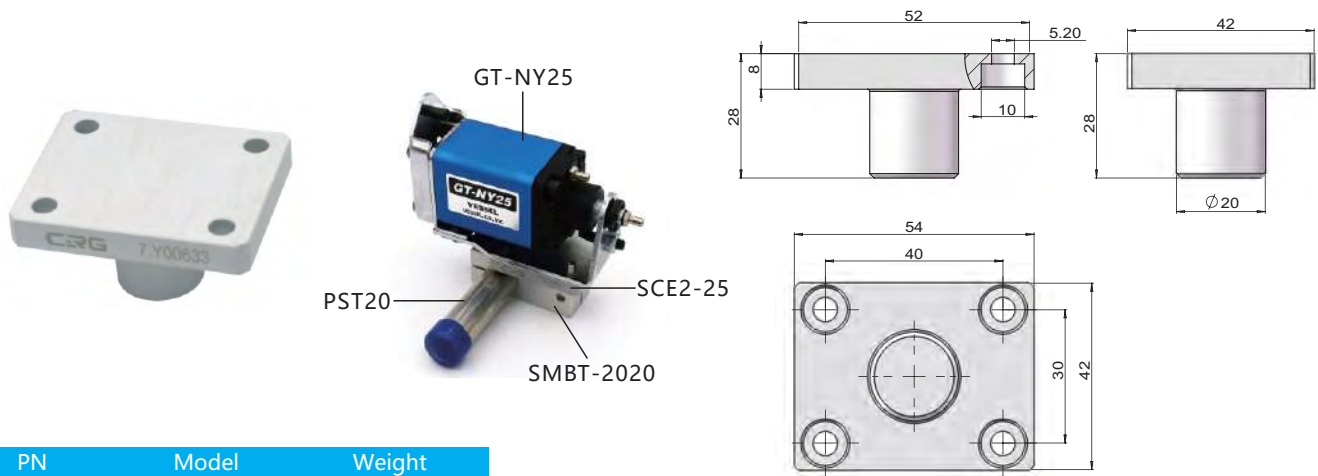


NY10.NY15 Fixing Block



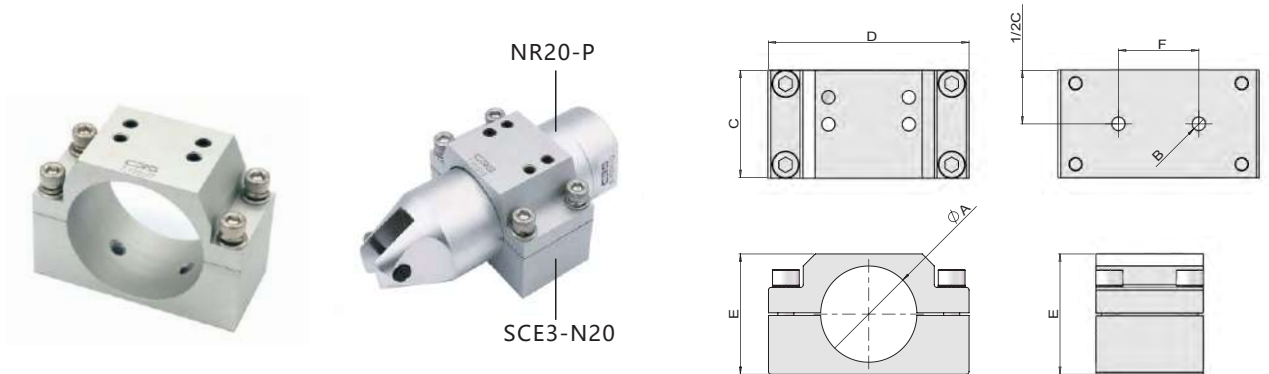
PN	Model	Weight
1.Y00094	SCE2-1015	38g

NY25 Fixing Block



PN	Model	Weight
7.Y00633	SCE2-25	61g

Nipper Bracket



PN	Model	A	B	C	D	E	F	Weight
7.Y00075	SCE3-N10	Ø36	M6	40	75	45	30	246g
7.Y00076	SCE3-N20	Ø45	M6	40	75	53	30	228g
7.Y00077	SCE3-N30	Ø56	M6	40	86	63	30	267g

Profile - SUS Tube

Stents Module

Quick Changer

Grip Module

Air Nipper

Vacuum Module

Accessory Components

Gas Cut Bracket

Profile · SUS Tube

Stents Module

Quick Changer

Grip Module

Air Nipper

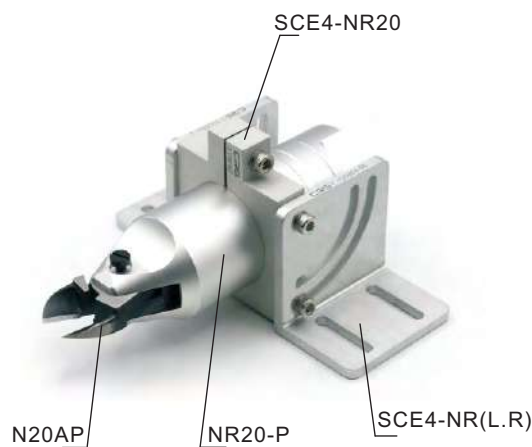
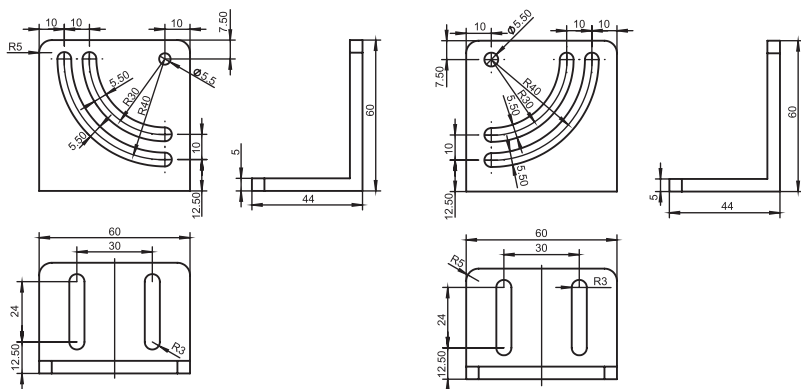
Vacuum Module

Accessory Components

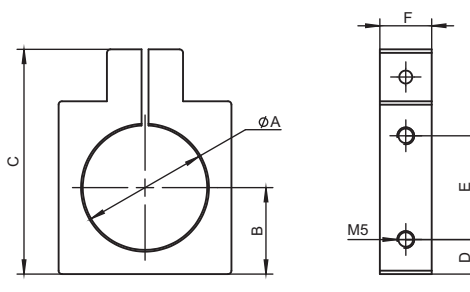


PN	7.Y00868
Model	SCE4-NR(L.R)

※L.R mate sales
 ※GT-NRuse
 ※Weight: 65.5g



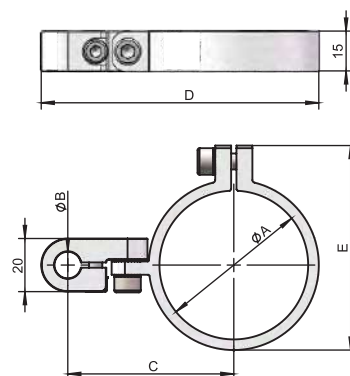
Gas cut fixation



PN	Model	A	B	C	D	E	F	Weight
7.Y00146	SCE4-NR30	56	35	85	10	40	15	111g
7.Y00147	SCE4-NR20	45	30	75	10	40	15	93g
7.Y00148	SCE4-NR10	36	25	65	10	30	15	72g

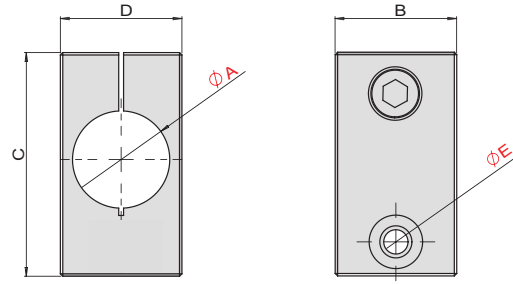
Adjustable Nipper Mounting Clamps

NEW

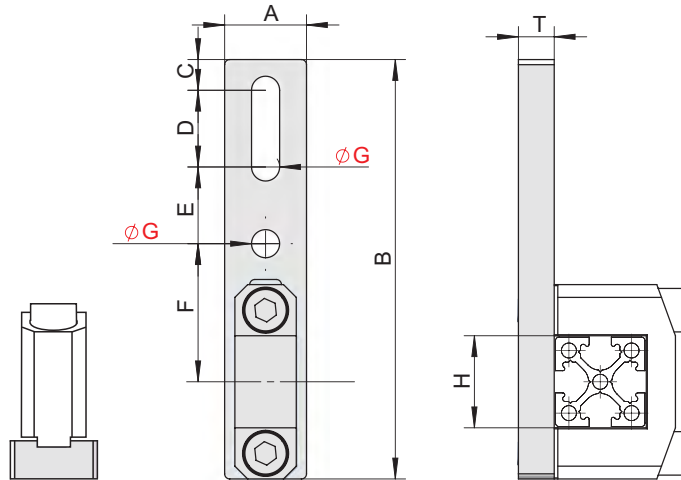


PN	Model	A	B	C	D	E	Weight
7.Y00946	SCE-NR20-D10	Ø45	Ø10	56.5	93	62	57.5
7.Y00947	SCE-NR20-D12	Ø45	Ø12	56.5	93	62	55.5
7.Y00948	SCE-NR30-D10	Ø56	Ø10	62.5	104.5	77	67.5
7.Y00949	SCE-NR30-D12	Ø56	Ø12	62.5	104.5	77	65.5

Access Robot Bracket

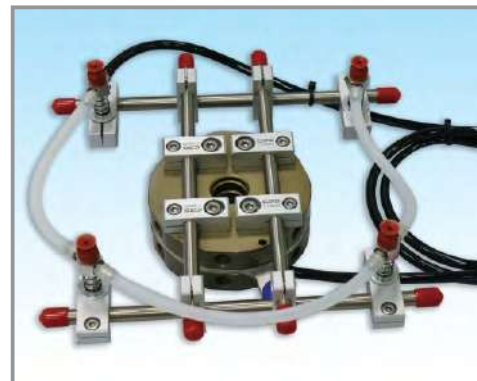


PN	Model	A	B	C	D	E	Weight
7.Y00051	SMBH1-8M5	Ø8	14	35	12	Ø5.5	15g
7.Y00052	SMBH1-8M6	Ø8	14	35	12	Ø6.5	12g
7.Y00053	SMBH1-12M5	Ø12	20	39	16	Ø5.5	30g
7.Y00002	SMBH1-12M6	Ø12	20	39	16	Ø6.5	25g
7.Y00054	SMBH1-12M8	Ø12	20	45	25	Ø9	42g
7.Y00055	SMBH1-20M6	Ø20	20	50	25	Ø6.5	48g
7.Y00056	SMBH1-20M8	Ø20	20	50	25	Ø9	51g



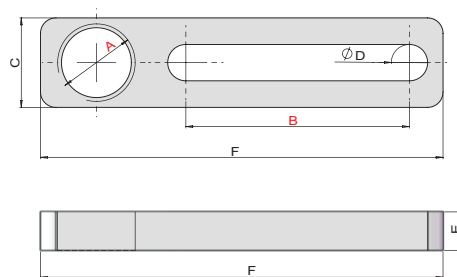
PN	Model	A	B	C	D	E	F	G	H	T	Weight
7.Y00869	SMBE7-18M5	16	82	6	15	15	27	Ø5.5	18	7	20.5g
7.Y00870	SMBE7-18M6	16	82	6	15	15	27	Ø6.5	18	7	20g
7.Y00871	SMBE7-25M5	16	90	7	15	15	30.5	Ø5.5	25	7	22.5g
7.Y00872	SMBE7-25M6	16	90	7	15	15	30.5	Ø6.5	25	7	22g

Application example



Slide Bracket

Profile - SUS Tube

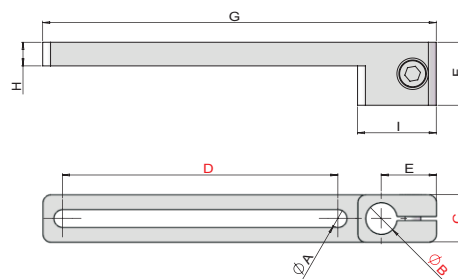


Stents Module

PN	Model	A	B	C	D	E	F	Weight
7.Y00119	SCF3-40M10	M10*1	40	16	6.5	5	70	10g
7.Y00120	SCF3-40M12	M12*1	40	16	6.5	5	72	10g
7.Y00121	SCF3-40M17	M17*1	40	25	6.5	5	80	20g
7.Y00133	SCF3-70M10	M10*1	70	16	6.5	5	100	14g
7.Y00134	SCF3-70M12	M12*1	70	16	6.5	5	102	14g
7.Y00135	SCF3-70M17	M17*1	70	25	6.5	5	110	28g

Quick Changer

Grip Module

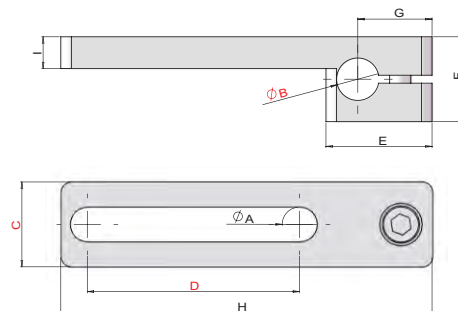


Air Nipper

PN	Model	A	B	C	D	E	F	G	H	I	Weight
7.Y00122	SCF4-0840W12	4.5	Ø8	12	40	14	16	70	6	20	14g
7.Y00123	SCF4-0840W16	6.5	Ø8	16	40	14	16	70	6	20	20g
7.Y00004	SCF4-1240W16	6.5	Ø12	16	40	16	16	75	6	25	21g
7.Y00124	SCF4-2040W25	6.5	Ø20	25	40	20	16	86	6	34	39g
7.Y00136	SCF4-0870W12	4.5	Ø8	12	70	14	16	100	6	20	18g
7.Y00137	SCF4-0870W16	6.5	Ø8	16	70	14	16	100	6	20	25g
7.Y00138	SCF4-1270W16	6.5	Ø12	16	70	16	16	105	6	25	25g
7.Y00139	SCF4-2070W25	6.5	Ø20	25	70	20	16	116	6	34	49g

Vacuum Module

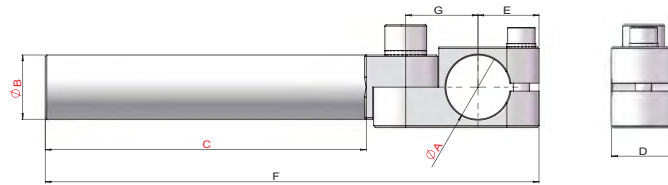
Accessory Components



PN	Model	A	B	C	D	E	F	G	H	I	Weight
7.Y00125	SCF5-0840W16	6.5	Ø8	16	40	20	16	14	70	6	20g
7.Y00126	SCF5-0840W12	4.5	Ø8	12	40	20	16	14	70	6	15g
7.Y00127	SCF5-1240W16	6.5	Ø12	16	40	25	16	16	75	6	20g
7.Y00128	SCF5-2040W25	6.5	Ø20	25	40	34	25	20	86	6	53g
7.Y00140	SCF5-0870W16	6.5	Ø8	16	70	20	16	14	100	6	25g
7.Y00141	SCF5-0870W12	4.5	Ø8	12	70	20	16	14	100	6	19g
7.Y00142	SCF5-1270W16	6.5	Ø12	16	70	25	16	16	105	6	25g
7.Y00143	SCF5-2070W25	6.5	Ø20	25	70	34	25	20	116	6	48g

Elbow Arm

Application example



PN	Model	A(mm)	B(mm)	C(mm)	D(mm)	E(mm)	F(mm)	G(mm)	Weight
7.Y00388	SEA-1010L60	Ø10	Ø10	60	10	13	93	12.5	20g
7.Y00776	SEA-1212L60	Ø12	Ø12	60	12	15	98	14.5	22g
7.Y00389	SEA-1414L40	Ø14	Ø14	40	14	16	82	16.5	32g
7.Y00390	SEA-1414L80	Ø14	Ø14	80	14	16	122	16.5	42g
7.Y00391	SEA-1414L120	Ø14	Ø14	120	14	16	162	16.5	50g
7.Y00392	SEA-2020L50	Ø20	Ø20	50	20	19	104	22.5	70g
7.Y00393	SEA-2020L100	Ø20	Ø20	100	20	19	154	22.5	90g
7.Y00394	SEA-2020L150	Ø20	Ø20	150	20	19	204	22.5	120g
7.Y00395	SEA-3030L80	Ø30	Ø30	80	30	27	160	34.8	235g
7.Y00396	SEA-3030L140	Ø30	Ø30	140	30	27	220	34.8	300g
7.Y00397	SEA-3030L200	Ø30	Ø30	200	30	27	280	34.8	360g

Profile · SUS Tube

Stents Module

Quick Changer

Grip Module

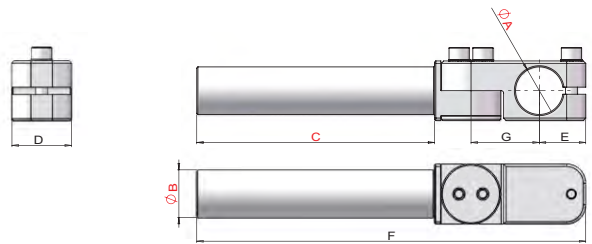
Air Nipper

Vacuum Module

Accessory Components

Heavy Duty Elbow Arm

Application example



VFE2026-G18

SEAH-2020L50

SMBE1-2060



GFR20-95

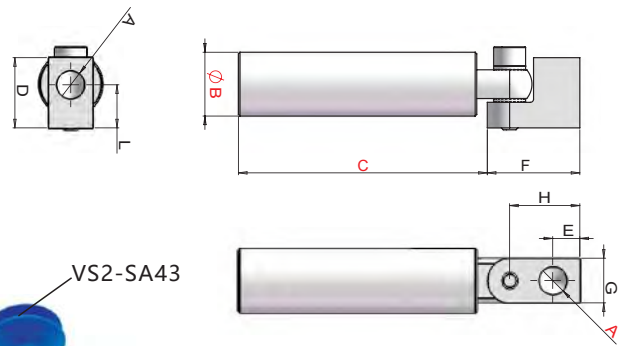
SEAH-2020L50

SMBE1-2060

PN	7.Y00350	7.Y00351	7.Y00166	7.Y00352	7.Y00353	7.Y00354
Model	SEAH-2020L50	SEAH-2020L100	SEAH-2020L150	SEAH-3030L80	SEAH-3030L140	SEAH-3030L200
A(mm)	Ø20	Ø20	Ø20	Ø30	Ø30	Ø30
B(mm)	Ø20	Ø20	Ø20	Ø30	Ø30	Ø30
C(mm)	50	100	150	80	140	200
D(mm)	25	25	25	35	35	35
E(mm)	19.5	19.5	19.5	27.3	27.3	27.3
F(mm)	113.5	163.5	213.5	168.5	228.5	288.5
G(mm)	28.7	28.7	28.7	40.7	40.7	40.7
Weight	95g	115g	130g	330g	380g	435g

Elbow Arm For Vacuum Cup

Application example



VS2-SA43

VM04-G14

SEAV-G1420L75

SMBE4-2012

PEP2525



VS2-SA43

VM04-G14

SEAV-G1420L75

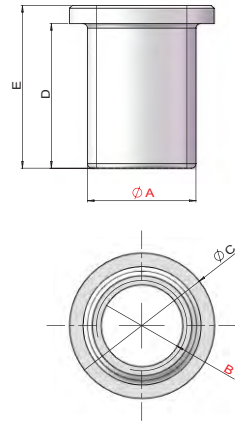
SMBE2-2060

PEP2518

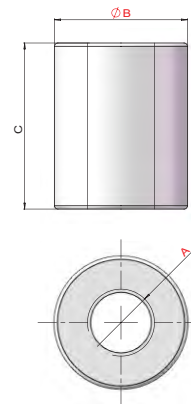


PN	Model	A(mm)	B(mm)	C(mm)	D(mm)	E(mm)	F(mm)	G(mm)	H(mm)	L(mm)	Weight
7.Y00432	SEAV-M510L45	M5	Ø10	45	16.5	5.5	19	10	22	11	18g
7.Y00433	SEAV-M510L90	M5	Ø10	90	16.5	5.5	19	10	22	11	27g
7.Y00258	SEAV-G1814L60	G1/8	Ø14	60	22	8.5	29	14	22	13.5	33g
7.Y00434	SEAV-G1814L120	G1/8	Ø14	120	22	8.5	29	14	22	13.5	50g
7.Y00435	SEAV-G1820L78	G1/8	Ø20	78	22	8.5	29	14	22	13.5	60g
7.Y00247	SEAV-G1820L153	G1/8	Ø20	153	22	8.5	29	14	22	13.5	100g
7.Y00436	SEAV-G1420L75	G1/4	Ø20	75	27	12	38	20	28	15	75g
7.Y00437	SEAV-G1420L150	G1/4	Ø20	150	27	12	38	20	28	15	115g

Bush Nut

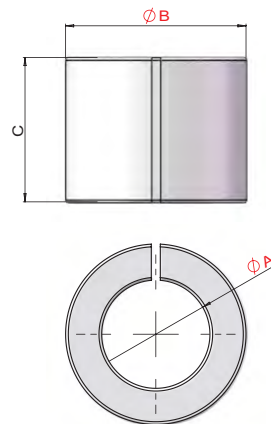


PN	Model	A	B	C	D	E	Weight
7.Y00271	SBNA-8M5	Ø8	M5x0.8	Ø12	8	10	1g
7.Y00272	SBNA-8M6	Ø8	M6x1.0	Ø12	8	10	1g
7.Y00273	SBNA-12M5	Ø12	M5x0.8	Ø16	16	18	5g
7.Y00274	SBNA-12M10	Ø12	M10x1.0	Ø16	16	18	3g
7.Y00276	SBNA-20M12	Ø20	M12x1.0	Ø24	16	18	11g
7.Y00277	SBNA-20M17	Ø20	M17x1.0	Ø24	16	18	5g



PN	Model	A	B	C	Weight
7.Y00275	SBNB-12PT18	PT1/8	Ø12	16	2g
7.Y00278	SBNB-20PT18	PT1/8	Ø20	25	17g

Bush



PN	Model	A	B	C	Weight
7.Y00280	SBND-1208	Ø8	Ø12	16	6g
7.Y00281	SBND-2012	Ø12	Ø20	16	9g
7.Y00282	SBND-2008	Ø8	Ø20	16	11g

Profile · SUS Tube

Stents Module

Quick Changer

Grip Module

Air Nipper

Vacuum Module

Accessory Components

Quick Changer

Product image



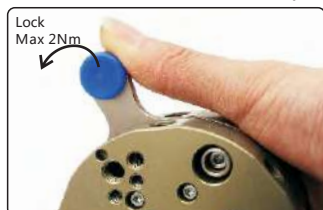
QC-R90K

QC-G90

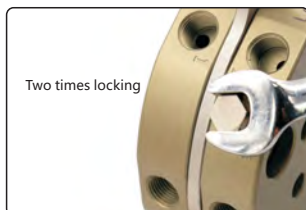
Easy replacement of the EOAT on the robot.
 Suitable also with vacuum ports.
 Avoids mistakes in pneumatic and electrical connections. 4, 8, 10 or 12 pneumatic connections.
 The two parts (robot side and gripper side) are supplied separately.

Model	QC50	QC90	QC150	QC160	QC200
Medium	Filtered compressed air				
Pressure range	5~6 bar				
Temperature range	5 ~ 60 °C				
Robot side quick changer	QC-R50 QC-R50K	QC-R90 QC-R90K	QC-R150K	QC-R160K	QC-R200K
Robot side quick changer weight	103 g	318 g	1159 g	1200 g	2640 g
Gripper side quick changer	QC-G50	QC-G90	QC-G150	QC-G160	QC-G200
Gripper side quick changer weight	65 g	227 g	837g	900 g	1890 g
F	150N	400N	1000N	1000N	2000N
Mt	20Nm	100Nm	250Nm	250Nm	600Nm
Mb	10Nm	60Nm	150Nm	150Nm	300Nm
Recomended payload	5kg	15kg	35kg	35kg	75kg
Colour	Brass	Brass	Black	Brass	Black

Installation and use example



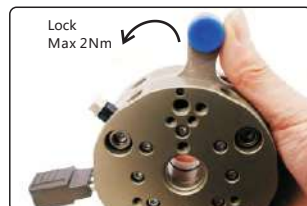
Example of Install with lock



Two times locking



Safety locking



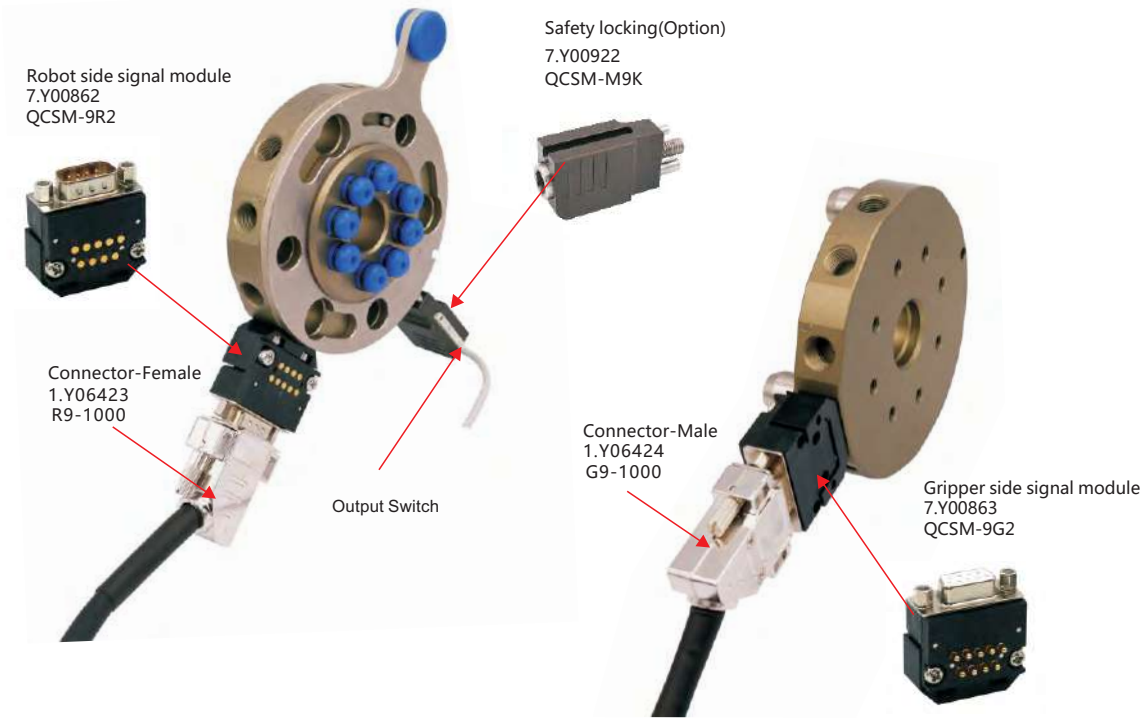
Lock Max 2Nm



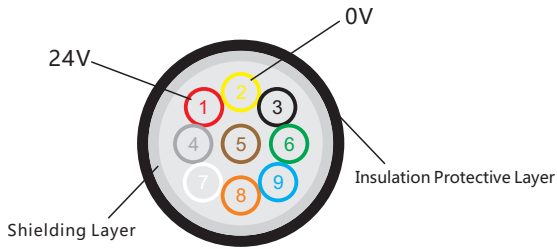
Accessories

Electrical connection module

- I/O quick change by D-SUB 9 pins connector.
- The two parts are supplied separately:
 - QCSM-9R2 robot side signal module.
 - QCSM-9G2 gripper side signal module.
 - DB9F-45 45 degree metal female fitting
 - DB9M-45 45 degree metal male fitting



Singal Wire Cross-sectional Sketch Map



P137

QCSM (Model)	9R1	9G1	9R2	9G2	9R3	9G3	9R4	9G4
PN	7.Y00823	7.Y00824	7.Y00862	7.Y00863	7.Y00819	7.Y00820	7.Y00821	7.Y00822
I/O connection type	9 pins D-SUB							
Working Current	MAX 3 A							
G9-1000 Wire-Male		✓		✓		✓		✓
R9-1000 Wire-Female	✓		✓		✓		✓	
Applicable Products	QC50		QC90	QC160	QC150		QC200	

* The wire's length is 1 meters

Quick Changer

Dimension description

Profile · SUS Tube

Stents Module

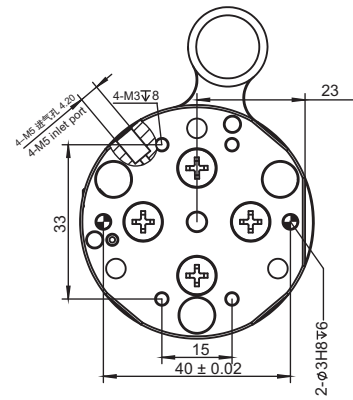
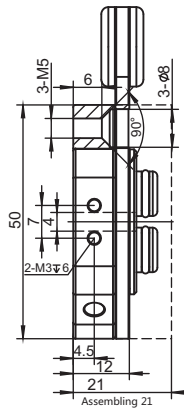
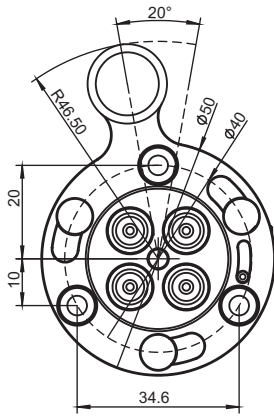
Quick Changer

Grip Module

Air Nipper

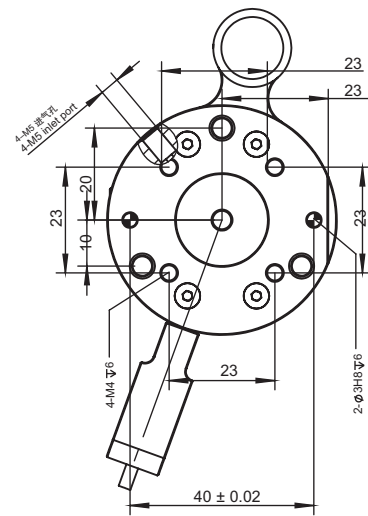
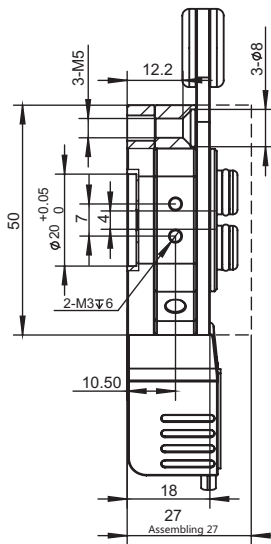
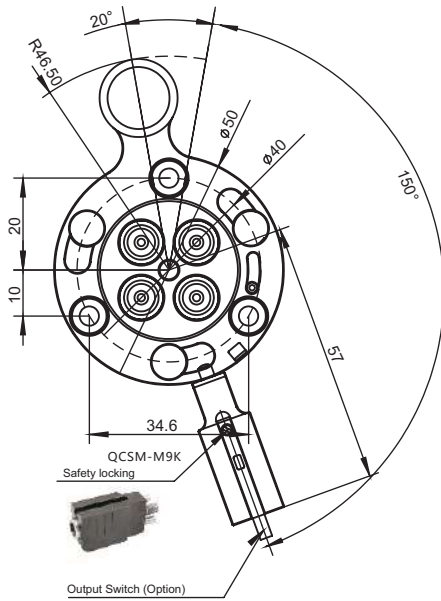
Vacuum Module

Accessory Components

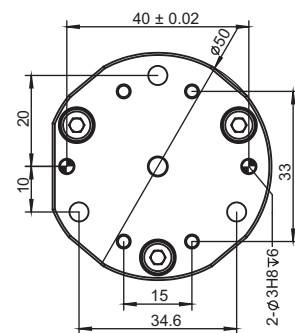
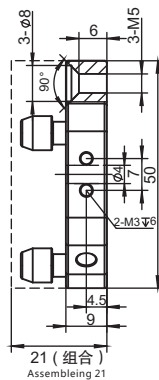
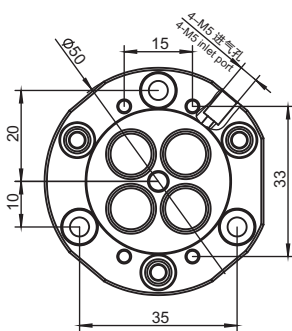


PN	8.Y00054
Model	QC-R50

NEW



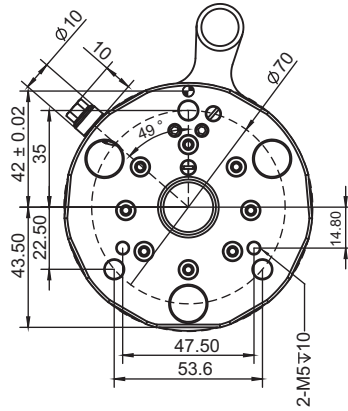
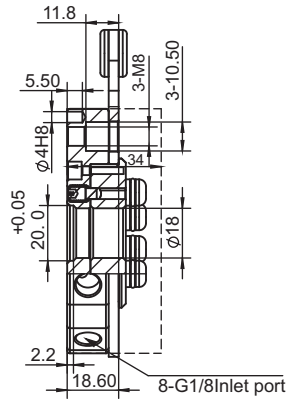
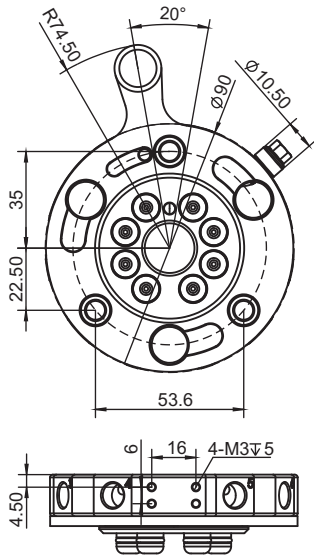
PN	8.Y00402
Model	QC-R50K



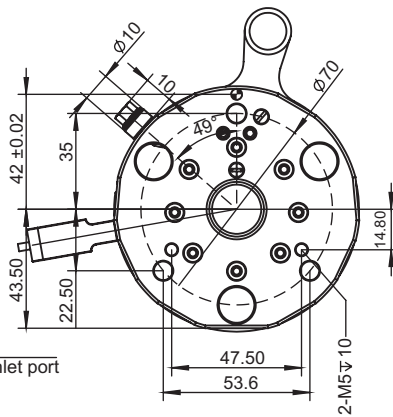
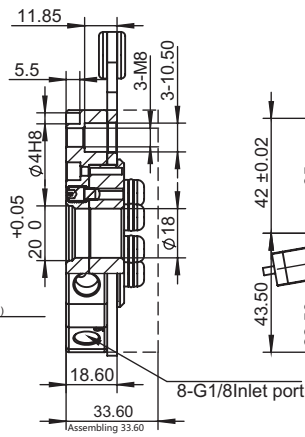
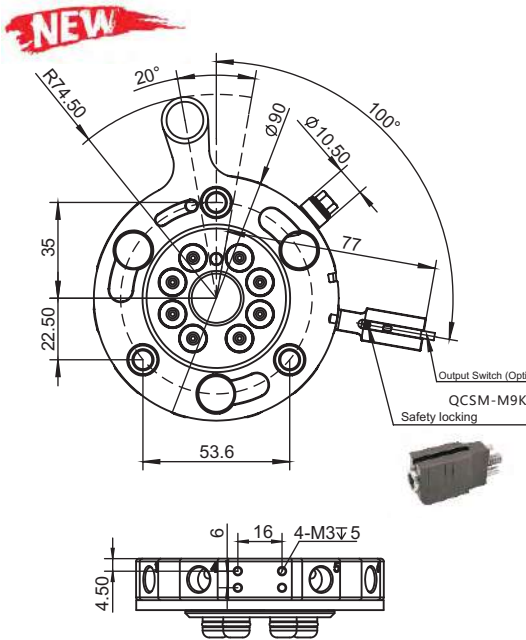
PN	8.Y00055
Model	QC-G50

Quick Changer

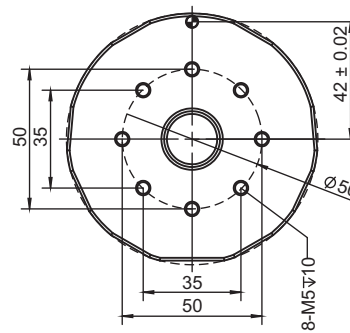
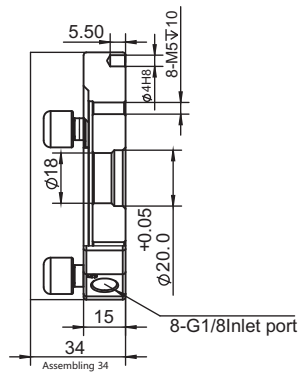
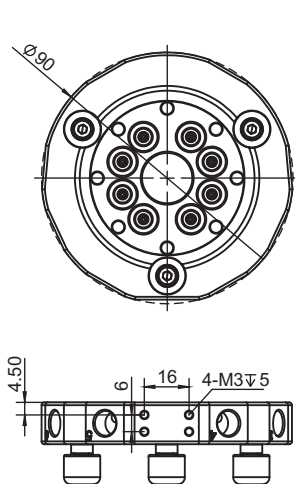
Dimension description



PN	8.Y00032
Model	QC-R90



PN	8.Y00359
Model	QC-R90K



PN	8.Y00033
Model	QC-G90

Profile · SUS Tube

Stents Module

Quick Changer

Grip Module

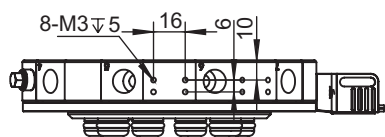
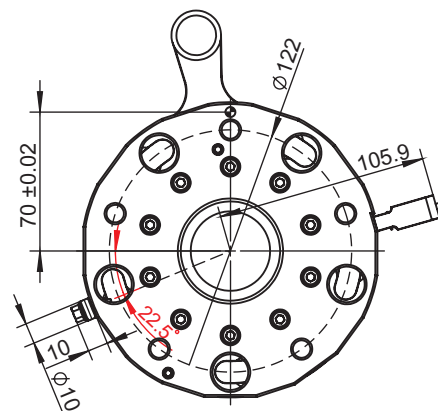
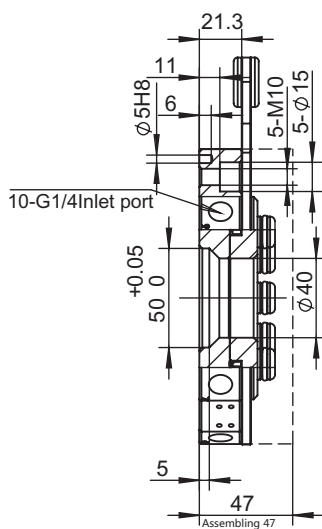
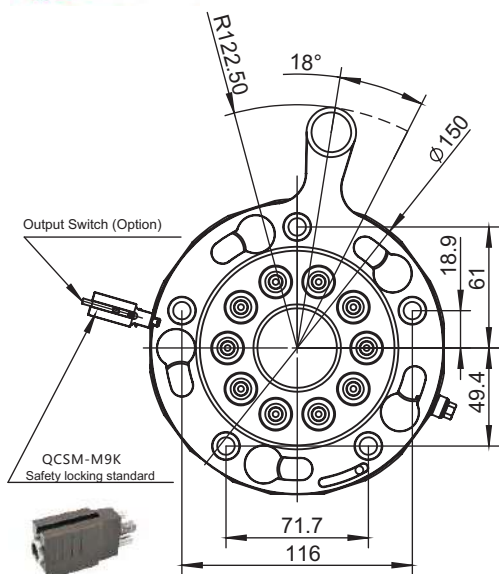
Air Nipper

Vacuum Module

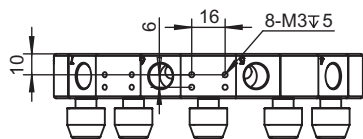
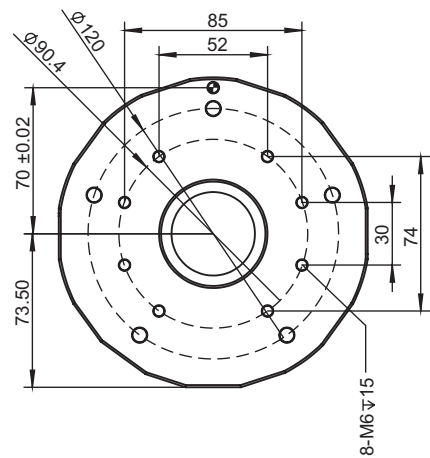
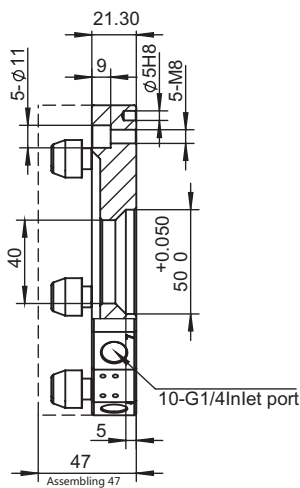
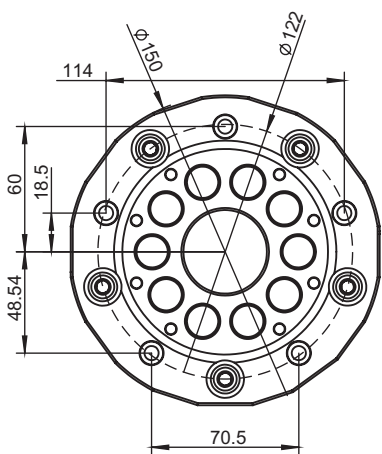
Accessory Components

Quick Changer

Dimension description



PN	8.Y00376
Model	QC-R150K



PN	8.Y00377
Model	QC-G150

Profile / SUS Tube

Stents Module

Quick Changer

Grip Module

Air Nipper

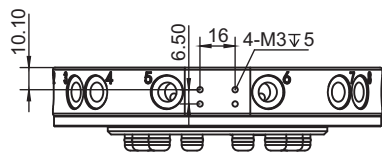
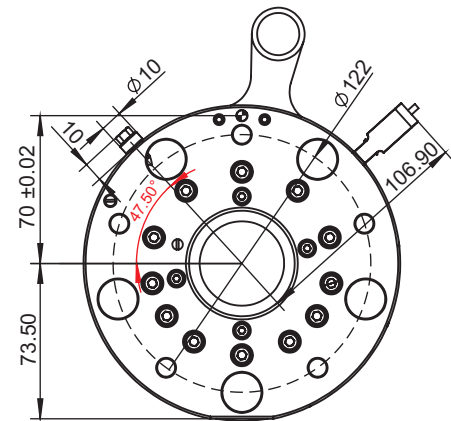
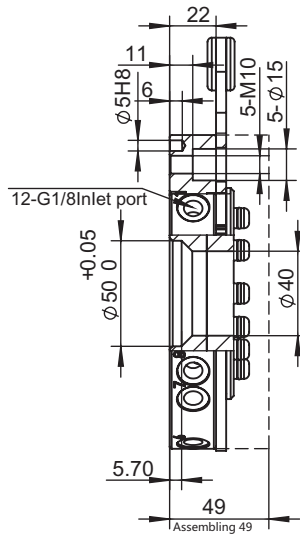
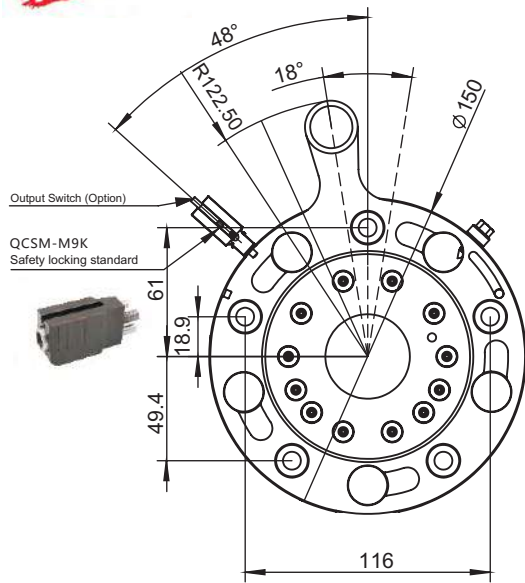
Vacuum Module

Accessory Components

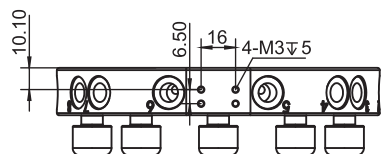
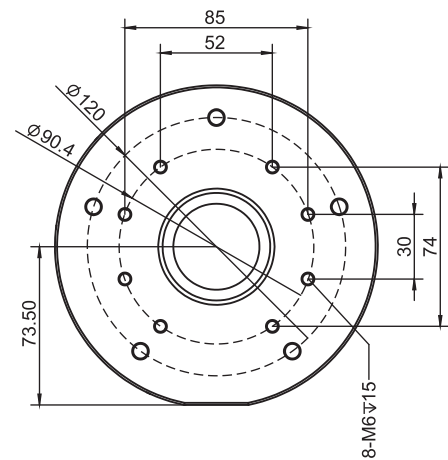
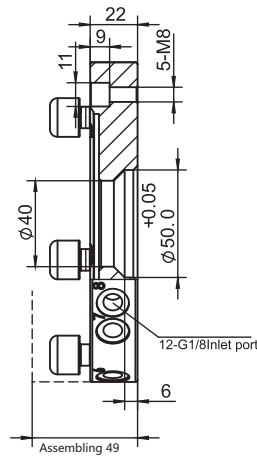
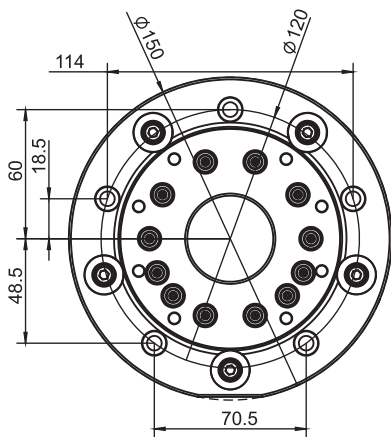
Quick Changer

Dimension description

NEW



PN	8.Y00360
Model	QC-R160K



PN	8.Y00053
Model	QC-G160

Profile · SUS Tube

Stents Module

Quick Changer

Grip Module

Air Nipper

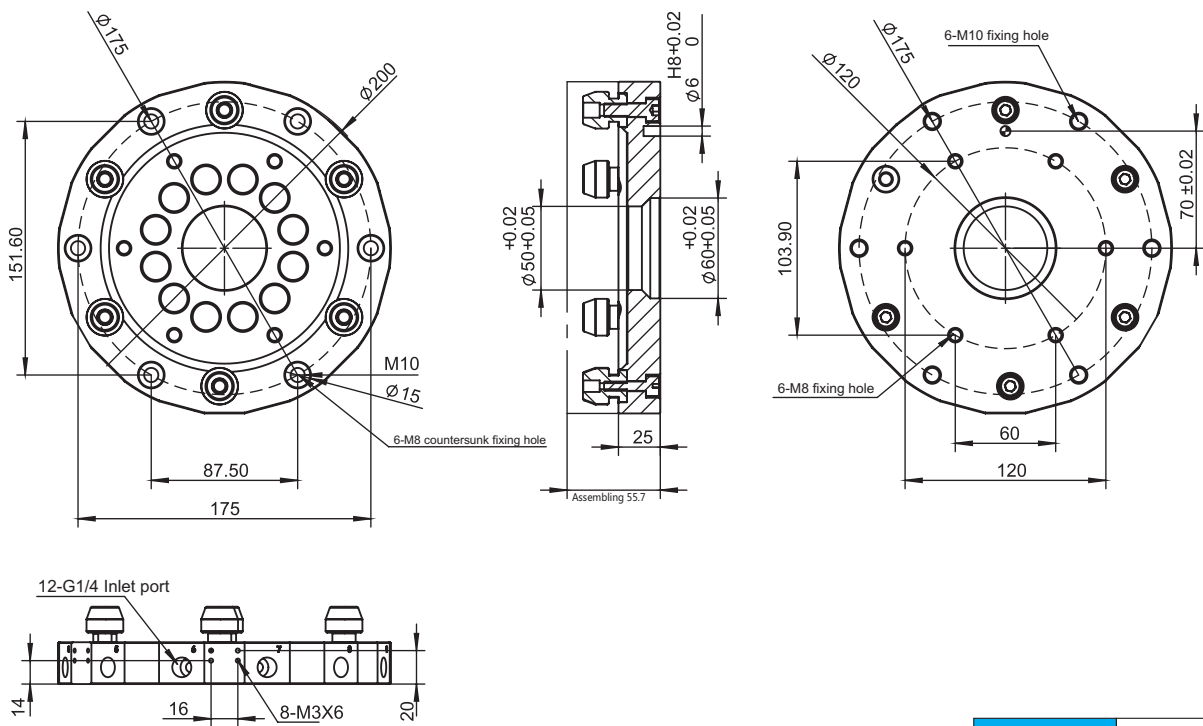
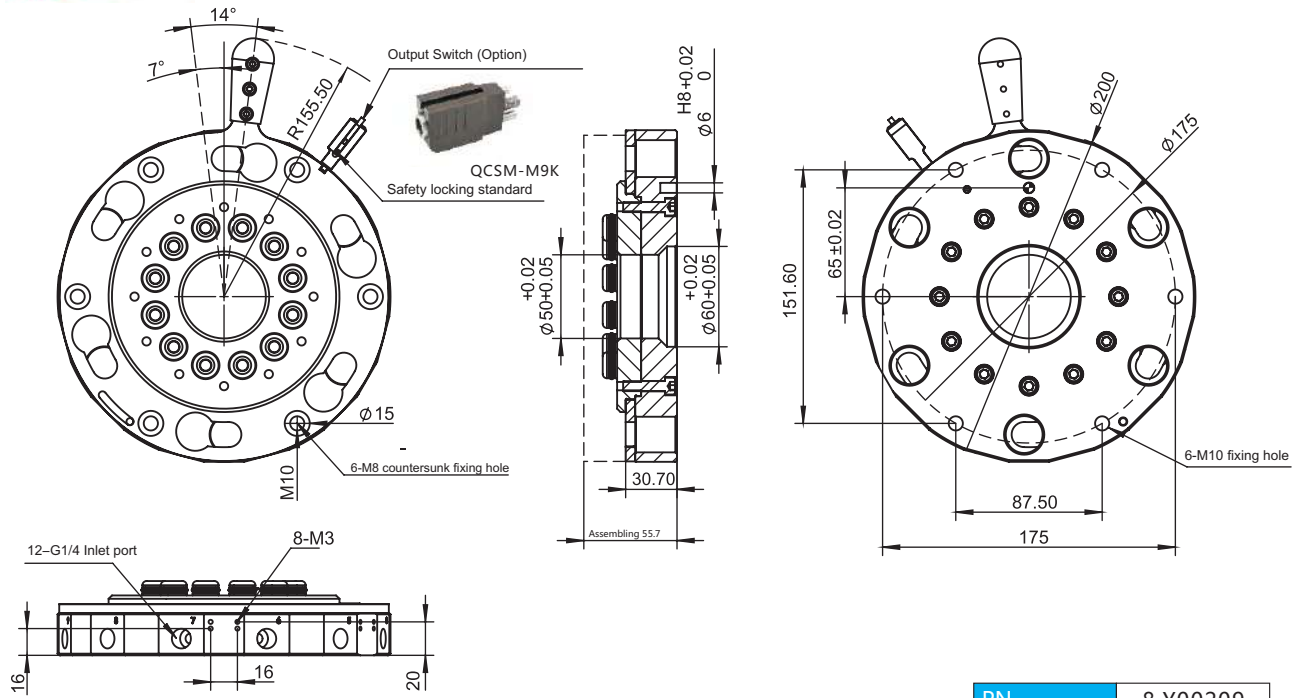
Vacuum Module

Accessory Components

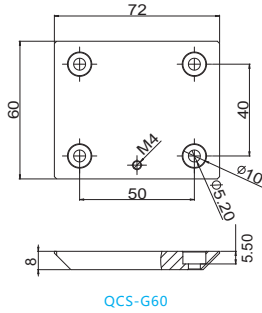
Quick Changer

Dimension description

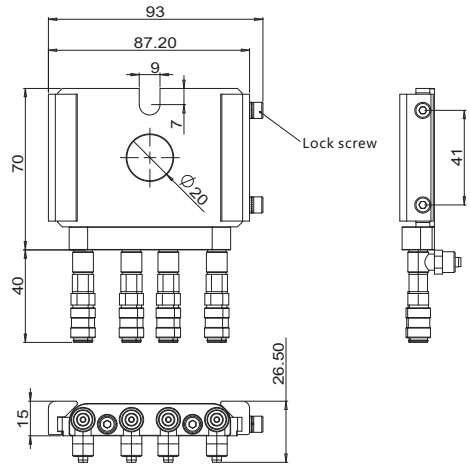
NEW



Min Quick Changer



QCS-G60



QCS-R60

Threaded Hose Module(Optional)

PN	8.Y00081	8.Y00082	1.Y03525	1.Y03524
Model	QCS-R60	QCS-G60	KCH04-M5	KCH06-M5
Load	70N			
Weight	148g	79g	7g	9g

QCS-G100

Unidirectional joint(5 Pieces)
KCH06-M5*5
KCH04-M5*5

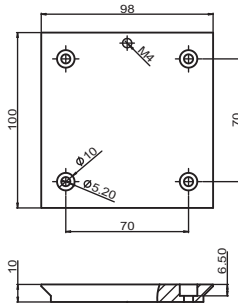


QCS-R100

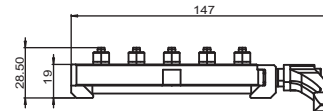


Quick coupling(5 Pieces)
MS-10SF*5

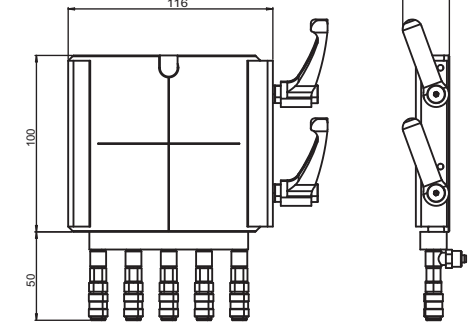
MS-10PF



QCS-G100



QCS-R100

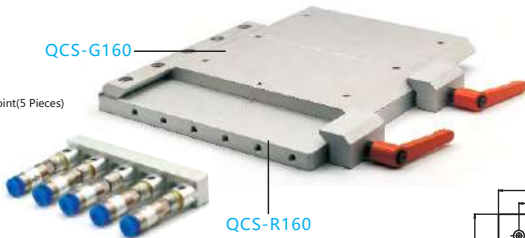


Threaded Hose Module(Optional)

PN	7.Y00332	7.Y00175	7.Y00860	7.Y00861	7.Y00334	1.Y04667
Model	QCS-R100	QCS-G100	KCH04-M5*5	KCH06-M5*5	MS-10SF*5	MS-10PF
Load	300N					
Weight	463g	240g	86g	96g	196g	11g

QCS-G160

Unidirectional joint(5 Pieces)
KCH06-M5*5
KCH04-M5*5

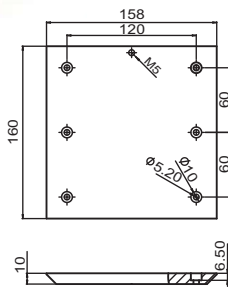


QCS-R160

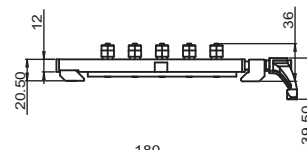


Quick coupling(5 Pieces)
MS-10SF*5

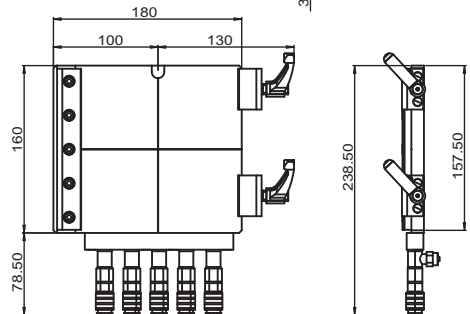
MS-10PF



QCS-G160



QCS-R160



Threaded Hose Module(Optional)

PN	7.Y00160	7.Y00161	7.Y00860	7.Y00861	7.Y00334	1.Y04667
Model	QCS-R160	QCS-G160	KCH04-M5*5	KCH06-M5*5	MS-10SF*5	MS-10PF
Load	800N					
Weight	1198g	634g	86g	96g	196g	11g

Profile · SUS Tube

Stents Module

Quick Changer

Grip Module

Air Nipper

Vacuum Module

Accessory Components

Quick Changer

Profile · SUS Tube

Stents Module

Quick Changer

Grip Module

Air Nipper

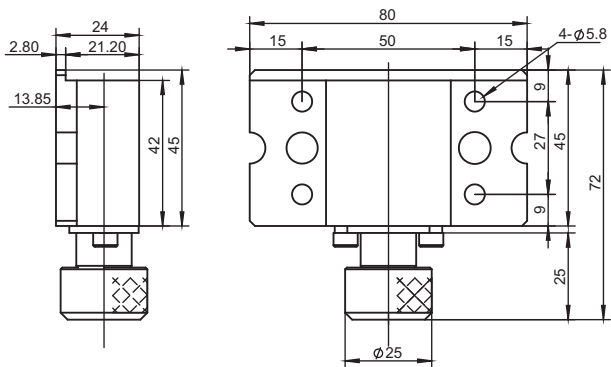
Vacuum Module

Accessory Components



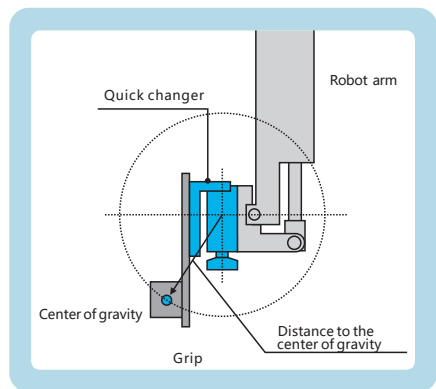
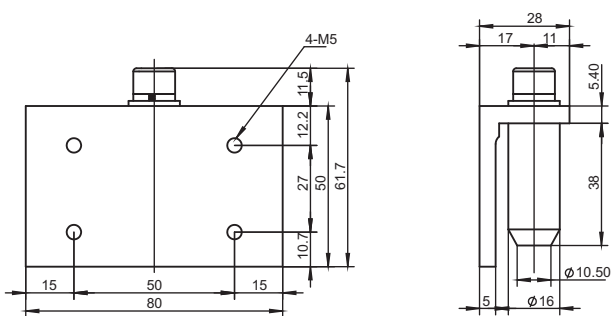
PN	1.Y01275
Model	QCL15R-Y

- ※ Superhard aluminum
- ※ Weight: 185g
- ※ Installation location: Robot side
- ※ Load weight: to 15kg



PN	1.Y01276
Model	QCL15G-Y

- ※ Steel
- ※ Weight: 294g
- ※ Installation location: Grip side
- ※ Load weight: to 15kg



Application example

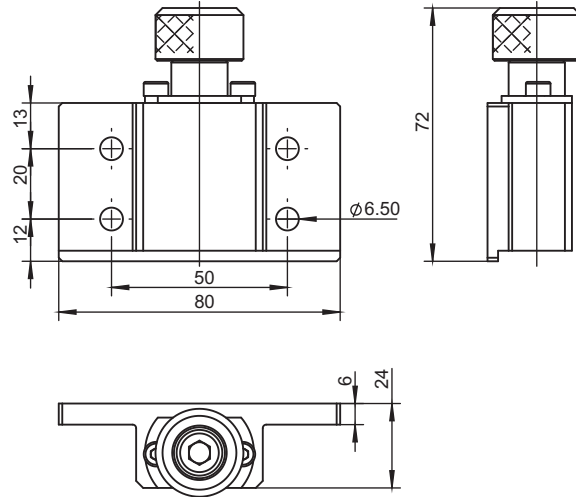


Quick Changer



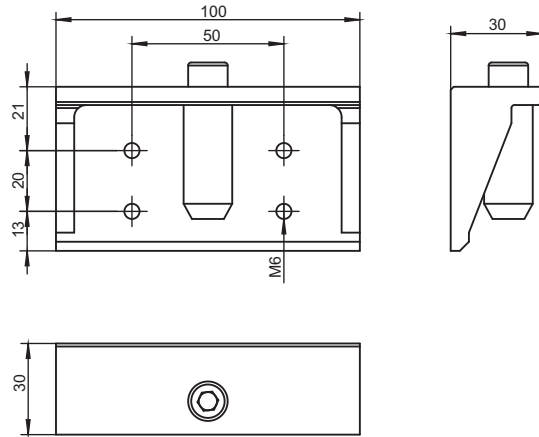
PN	8.Y00236
Model	QCL15R-S

- ※ Superhard aluminum
- ※ Weight: 190g
- ※ Installation location: Robot side
- ※ Load weight: to 15kg

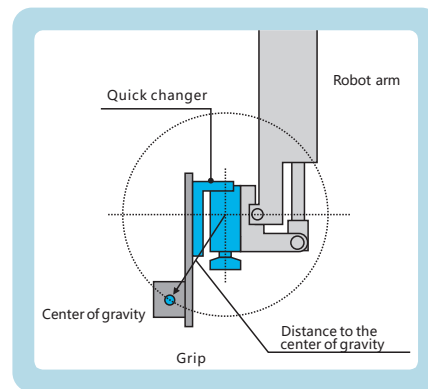


PN	8.Y00235
Model	QCL15G-S

- ※ Superhard aluminum
- ※ Weight: 197g
- ※ Installation location: Grip side
- ※ Load weight: to 15kg



Application example



Profile · SUS Tube

Stents Module

Quick Changer

Grip Module

Air Nipper

Vacuum Module

Accessory Components

Quick Changer

Profile · SUS Tube

Stents Module

Quick Changer

Grip Module

Air Nipper

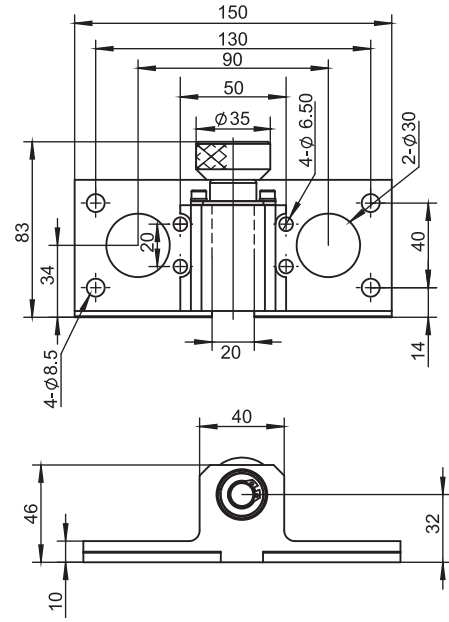
Vacuum Module

Accessory Components



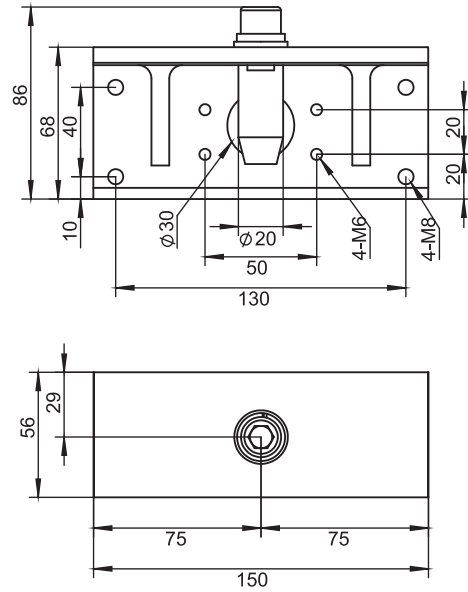
PN	8.Y00101
Model	QCL35R-S

- ※ Superhard aluminum
- ※ Weight: 505g
- ※ Installation location: Robot side
- ※ Load weight: to 35kg

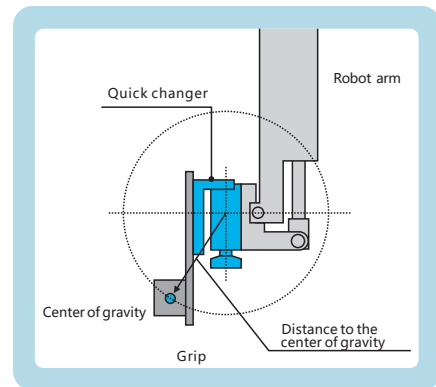


PN	8.Y00102
Model	QCL35G-S

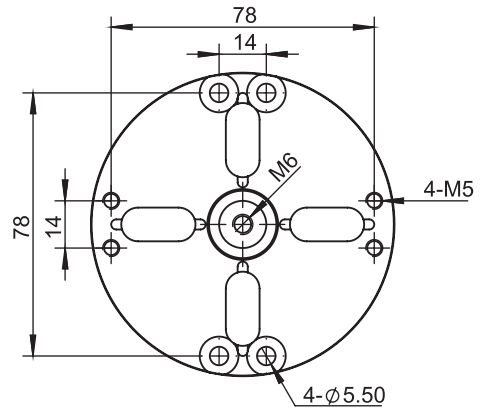
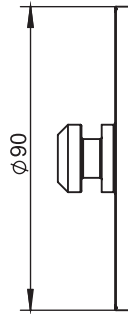
- ※ Superhard aluminum
- ※ Weight: 565g
- ※ Installation location: Grip side
- ※ Load weight: to 35kg



Application example

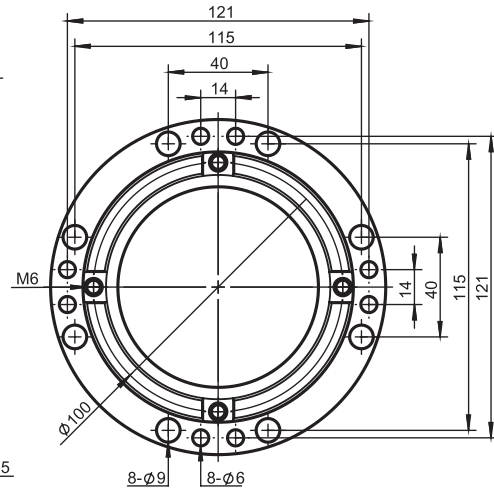
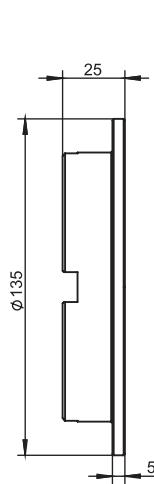


Quick Changer



PN	4.Y00480
Model	BP90

- ※ Iron products
- ※ Weight: 234g
- ※ Installation location: Grip side



PN	4.Y00497
Model	BP135

- ※ Iron products
- ※ Weight: 660g
- ※ Installation location: Grip side

Profile · SUS Tube

Stents Module

Quick Changer

Grip Module

Air Nipper

Vacuum Module

Accessory Components

Quick Changer

Profile · SUS Tube

Stents Module

Quick Changer

Grip Module

Air Nipper

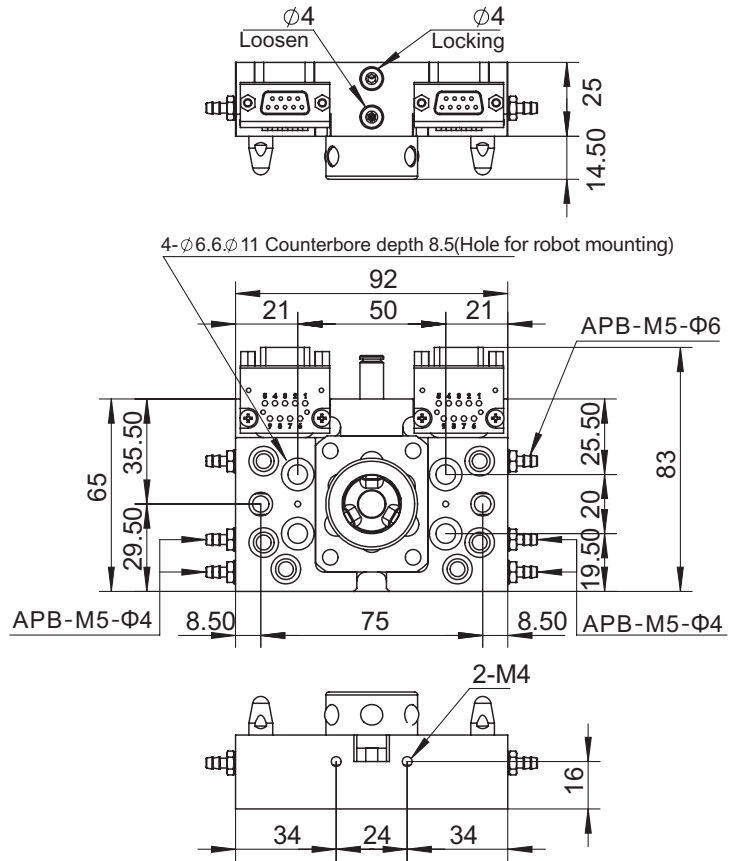
Vacuum Module

Accessory Components



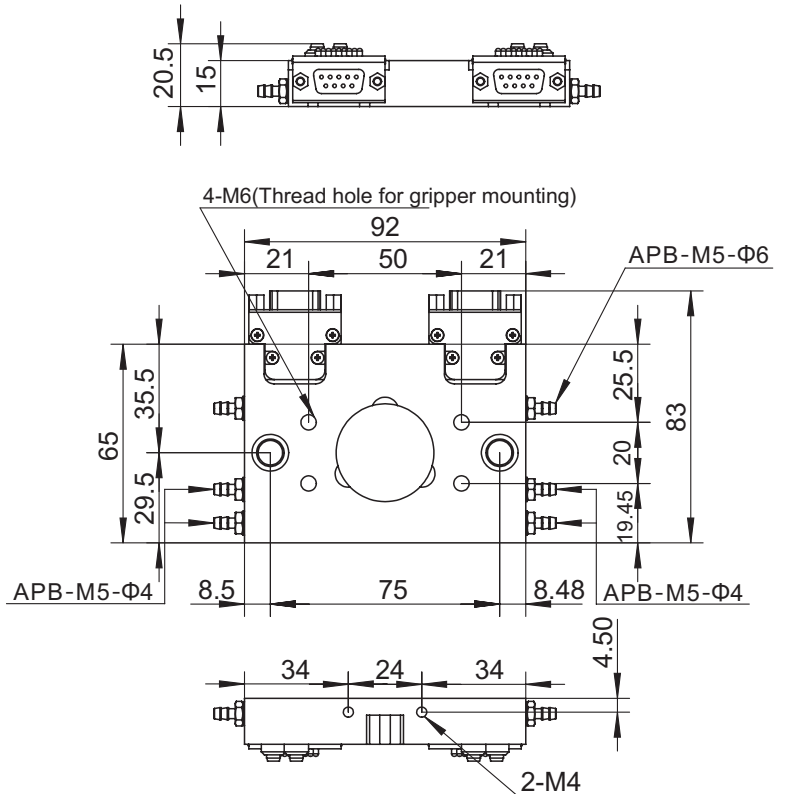
PN	8.Y00037
Model	QCA-S10R

※Installation location: Robot side
 ※Weight: 466g
 ※Load weight: to 10kg



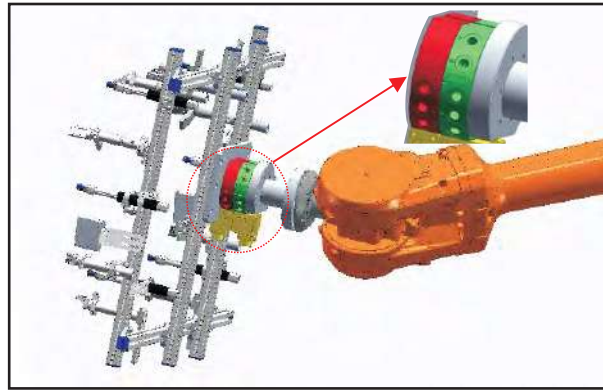
PN	8.Y00038
Model	QCA-S10G

※Installation location: Grip side
 ※Weight: 230g
 ※Load weight: to 10kg

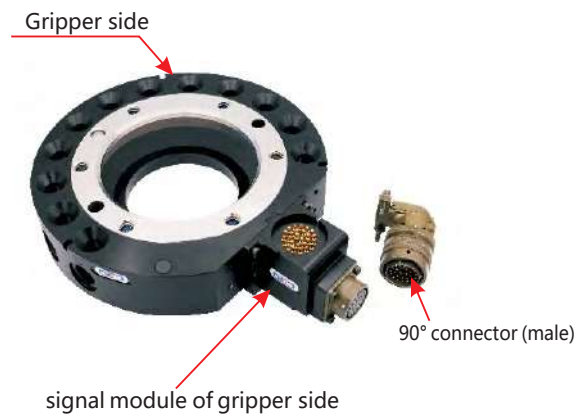
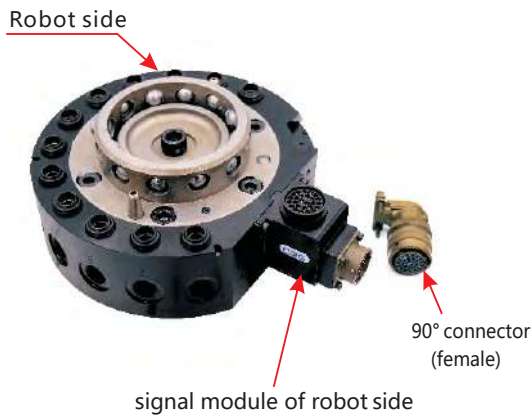


Quick Changer

NEW



Quick Changer Installation example

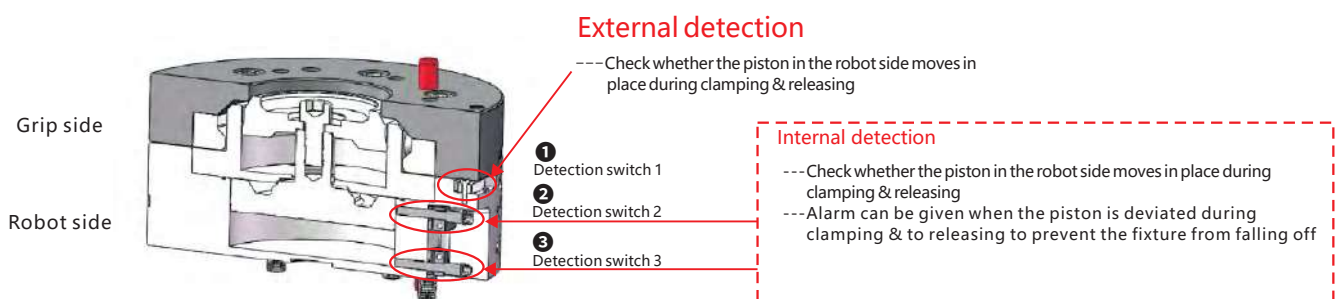


Product name	QCA50	QCA200
Recommended payload	50kg	200kg
Gas path	9 - G 1/8	12 - G 3/8

Signal module	Robot side		Grip side		90° connector (female)		90° connector (male)	
Model	QCSM-26R	QCSM-19R	QCSM-26G	QCSM-19G	PT08SE16-26S	PT06E14-19S	PT08SE16-26P	PT06E14-19P
PN	7.Y00464	7.Y00954	7.Y00465	7.Y00955	1.Y07209	1.Y09414	1.Y07210	1.Y09413
I/O connection type	26 pins	19 pins	26 pins	19 pins	26 pins	19 pins	26 pins	19 pins
Working Current	MAX 20A							
Applicable Products	QCA50 QCA200							

Safety capability (option)

Three safety capability switch, multiple protection



Quick Changer

Profile · SUS Tube

Stents Module

Quick Changer

Grip Module

Air Nipper

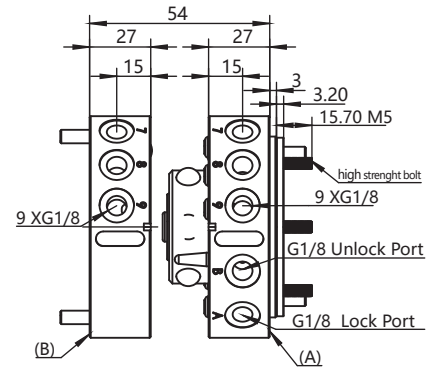
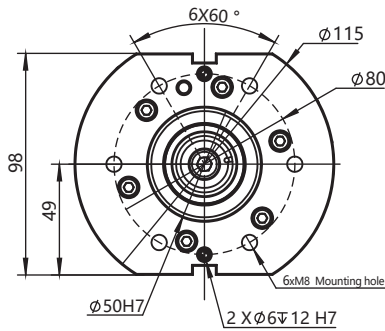
Vacuum Module

Accessory Components

NEW



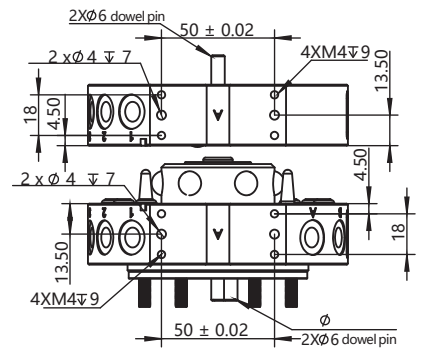
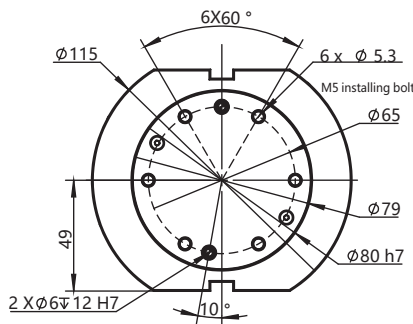
Robot side



PN	8.Y00349
Model	QCA-50R



Grip side



PN	8.Y00350
Model	QCA-50G

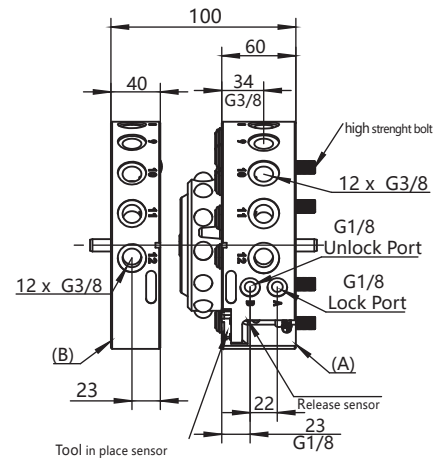
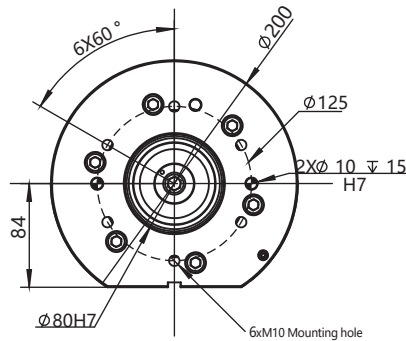
- 1.Recommended rated load:50kg
- 2.Locking Force@80Psi (5.5Bar) 4600 N
- 3.Static Load torque (X&Y) : 165 Nm
- 4.Static Load torque (Z) : 226 Nm
- 5.Position repeatability (X,Y&Z): 0.015 mm
- 6.Weight after locked:1.68 kg
- 7.Robot side's weight:1.08 kg
- 8.Grip side's weight:0.6 kg
- 9.Maximum allowable angle migration±1°
- 10.Under (6 Bar) pressure, the max clearance is 3 mm between Robot side and tooling side before lock.
- 11.Size of straight air hole (quantity):(9) 1/8

Quick Changer

NEW



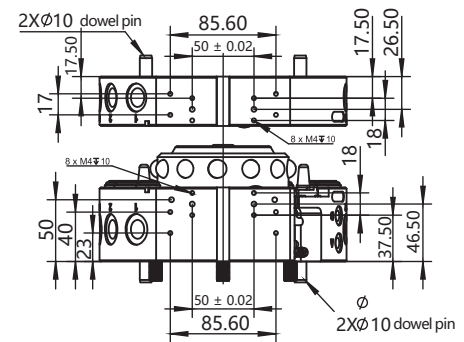
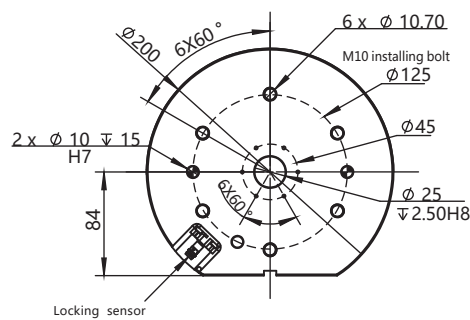
Robot side



PN	8.Y00272
Model	QCA-200R



Grip side



PN	8.Y00357
Model	QCA-200G

- 1.Recommended rated load:200kg
- 2.Locking Force@80Psi (5.5Bar) 16000 N
- 3.Static Load torque (X&Y) : 1360 Nm
- 4.Static Load torque (Z) : 1130 Nm
- 5.Position repeatability (X,Y&Z):0.015 mm
- 6.Weight after locked: 9 kg
- 7.Robot side's weight:6.2 kg
- 8.Grip side's weight:2.8 kg
- 9.Maximum allowable angle migration±1°
- 10.Under (6 Bar) pressure, the max clearance is 2 mm between Robot side and tooling side before lock.
- 11.Size of straight air hole (quantity):(12) 1/8
- 12.Signal Module: 26pin

Profile · SUS Tube

Stents Module

Quick Changer

Grip Module

Air Nipper

Vacuum Module

Accessory Components

Parallel Gripper

Profile · SUS Tube

Stents Module

Quick Changer

Grip Module

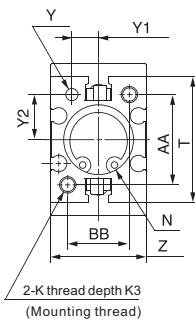
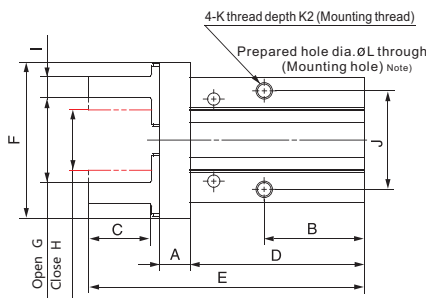
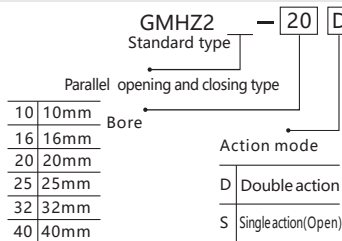
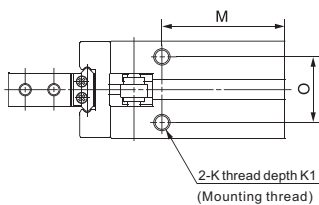
Air Nipper

Vacuum Module

Accessory Components

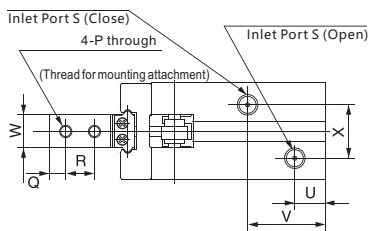


PN	S	1.Y00258	1.Y00257	1.Y03080	1.Y09884	1.Y09885	1.Y09887
	D	1.Y00252	1.Y00256	1.Y02703	1.Y09338	1.Y09886	1.Y09888
Model	S	GMHZ2-10S	GMHZ2-16S	GMHZ2-20S	GMHZ2-25S	GMHZ2-32S	GMHZ2-40S
	D	GMHZ2-10D	GMHZ2-16D	GMHZ2-20D	GMHZ2-25D	GMHZ2-32D	GMHZ2-40D
Bore		10	16	20	25	32	40
Fluid		Air					
Operating pressure range (MPa)	Single action	0.35~0.7		0.25~0.7			
	Double action	0.2~0.7		0.1~0.7			
Environment and fluid temperature		-10~60°C					
Repeatability accuracy (mm)		±0.01				±0.02	
Maximum frequency of use (c.p.m)		180				60	
Action mode		Single action · Double action					
Magnetic switch (optional)		Contactless magnetic switch					
Pipe Size		M3×0.5		M5×0.8			



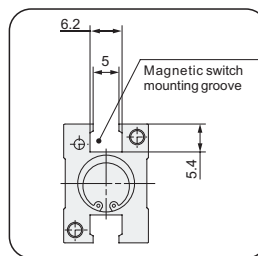
Gripping force

Model	Gripping force N			Opening/Closing stroke (Both sides) (mm)
	Gripping force per finger Effective value			
	(D) Double action		(S) Single action	
	External	Internal	External	
GMHZ2-10□	11	17	7.1	4
GMHZ2-16□	34	45	27	6
GMHZ2-20□	42	66	33	10
GMHZ2-25□	65	104	45	14
GMHZ2-32□	158	193	131	22
GMHZ2-40□	254	318	217	30



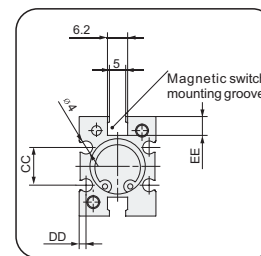
* For single action, the port on one side is a breathing hole.

GMHZ2-10□ Magnetic Switch Mounting Groove Dimensions



Note) When using Magnetic switches, throughhole mounting is not possible.

GMHZ2-□□ Magnetic Switch Mounting Groove Dimensions



D-Y69 D-Y7

Note) When using Magnetic switches D-Y59, D-Y69, D-Y7, throughhole mounting is not possible.

Dimensions table

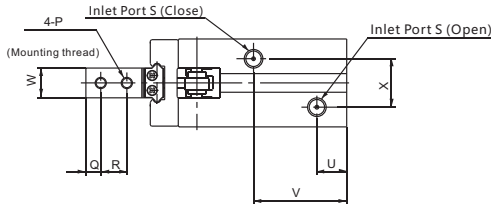
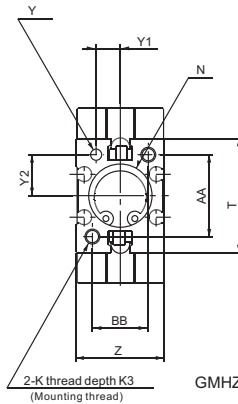
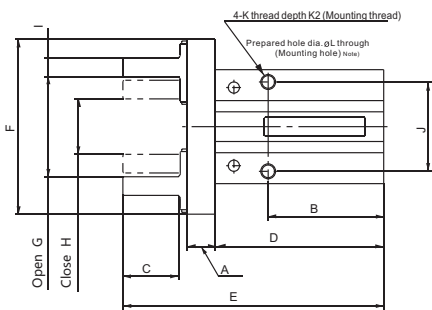
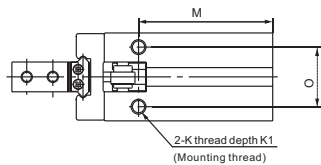
Bore	A	B	C	D	E	F	G	H	I	J	K	K1	K2	K3	ØL	M	N
10	6	23	12	37.8	57	29	15.2 ^{+0.2} _{-0.2}	11.2 ^{+0.1} _{-0.1}	4 ^{+0.1} _{-0.1}	16	M3x0.5	6	5.5	6	2.6	27	Ø11H9T2
16	7.5	24.5	15	42.5	67.3	38	20.9 ^{+0.2} _{-0.2}	14.9 ^{+0.1} _{-0.1}	5 ^{+0.1} _{-0.1}	24	M4x0.7	4.5	8	8	3.4	30	Ø17H9T2
20	9.5	29	20	52.8	84.8	50	26.3 ^{+0.2} _{-0.2}	16.3 ^{+0.1} _{-0.1}	8 ^{+0.1} _{-0.1}	30	M5x0.8	8	10	10	4.3	35	Ø21H9T3
25	11	30	25	63.6	102.7	63	33.3 ^{+0.2} _{-0.2}	19.3 ^{+0.1} _{-0.1}	10 ^{+0.1} _{-0.1}	36	M6x1	10	12	12	5.1	36.5	Ø26H9T3.5
32	12	40(49)	29	67(76)	113(122)	97	48 ^{+0.5} _{-0.5}	26 ^{+0.5} _{-0.5}	12 ^{+0.1} _{-0.1}	46	M6x1	10	13	13	5.1	48(57)	Ø34H9T4
40	15	49(62)	36	83(96)	139(152)	119	60 ^{+0.7} _{-0.7}	30 ^{+0.8} _{-0.8}	14 ^{+0.1} _{-0.1}	56	M8x1.25	13	16	17	6.6	58(71)	Ø42H9T4

Bore	O	P	Q	R	S	T	U	V	W	X	Y	Z	Y1	Y2	AA	BB	CC	DD	EE
10	11.4	M2.5x0.45	3	5.7	M3x0.5	23	9	19	5 ^{+0.05} _{-0.05}	11	Ø2H9T3	16.4 ^{+0.05} _{-0.05}	5.2 ^{+0.02} _{-0.02}	7.6 ^{+0.02} _{-0.02}	18	12	-	-	-
16	16	M3x0.5	4	7	M5x0.8	30.6	7.5	19	8 ^{+0.05} _{-0.05}	13	Ø3H9T3	23.6 ^{+0.05} _{-0.05}	6.5 ^{+0.02} _{-0.02}	11 ^{+0.02} _{-0.02}	22	15	11.6	2.1	5.8
20	18.6	M4x0.7	5	9	M5x0.8	42	10	23	10 ^{+0.05} _{-0.05}	15	Ø4H9T4	27.6 ^{+0.05} _{-0.05}	7.5 ^{+0.02} _{-0.02}	16.8 ^{+0.02} _{-0.02}	32	18	14	2.1	9
25	22	M5x0.8	6	12	M5x0.8	52	10.7	23.5	12 ^{+0.05} _{-0.05}	20	Ø4H9T4	33.6 ^{+0.05} _{-0.05}	10 ^{+0.02} _{-0.02}	21.8 ^{+0.02} _{-0.02}	40	22	19	3.5	11.5
32	26	M6x1	7	14	M5x0.8	60	11	31(37)	15 ^{+0.05} _{-0.05}	24	Ø5H9T5	40 ^{+0.1} _{-0.1}	12 ^{+0.02} _{-0.02}	23 ^{+0.02} _{-0.02}	46	26	24	3.3	11.5
40	32	M8x1.25	9	17	M5x0.8	72	12	38(45)	18 ^{+0.05} _{-0.05}	28	Ø5H9T5	48 ^{+0.1} _{-0.1}	14 ^{+0.02} _{-0.02}	29 ^{+0.02} _{-0.02}	56	32	29.4	3.7	13

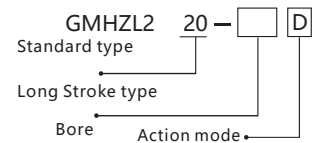
Lengthen Parallel Gripper



PN	S	1.Y09405	1.Y08175	1.Y09882	1.Y09883
	D	1.Y07974	1.Y08146	1.Y07975	1.Y08802
Model	S	GMHZL2-10S	GMHZL2-16S	GMHZL2-20S	GMHZL2-25S
	D	GMHZL2-10D	GMHZL2-16D	GMHZL2-20D	GMHZL2-25D
Bore	10		16	20	25
Fluid	Air				
Operating pressure range (MPa)	Single action	0.35~0.7		0.25~0.7	
	Double action	0.2~0.7		0.1~0.7	
Environment and fluid temperature	-10~60°C				
Repeatability accuracy (mm)	±0.01				
Maximum frequency of use	120				
Action mode	Single action · Double action				
Magnetic switch (optional)	Contactless magnetic switch				
Pipe Size	M3×0.5			M5×0.8	



* For single action, the port on one side is a breathing hole.

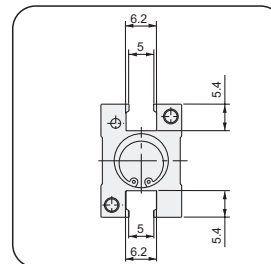


10	10mm	D	Double action
16	16mm	S	Single action(Open)
20	20mm		
25	25mm		

Gripping force

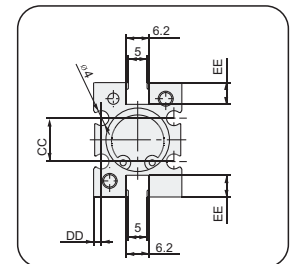
Model	Gripping force N			Opening/Closing stroke (Both sides) (mm)
	Gripping force per finger Effective value			
	Double action		Single action	
	External	Internal	External	
GMHZL2-10 □	11	17	7.1	8
GMHZL2-16 □	34	45	27	12
GMHZL2-20 □	42	66	33	18
GMHZL2-25 □	65	104	50	22

GMHZL2-10 □ Magnetic Switch Mounting Groove Dimensions



Note) When using Magnetic switches, throughhole mounting is not possible.

GMHZL2- □ Magnetic Switch Mounting Groove Dimensions



Note) When using Magnetic switches D-Y59, D-Y69, D-Y7, throughhole mounting is not possible.

Dimensions table (mm)

Bore	A	B	C	D	E	F	G	H	I	J	K	K1	K2	K3	∅L	M	N
10	6	25(35)	12	37.8(47.8)	57(67)	35	19.2 ^{+0.2}	11.2 ^{+0.4}	4 ^{+0.1}	16	M3×0.5	6	5.5	6	2.6	29(39)	∅11H9 ∇ 2
16	7.5	31(36)	15	45.2(50.2)	70(75)	47	26.9 ^{+0.2}	14.9 ^{+0.4}	5 ^{+0.1}	24	M4×0.7	4.5	8	8	3.4	36(41)	∅17H9 ∇ 2
20	9.5	36(42)	20	58(64)	90(96)	62	34.3 ^{+0.4}	16.3 ^{+0.4}	8 ^{+0.1}	30	M5×0.5	8	10	10	4.3	43(49)	∅21H9 ∇ 3
25	11	40(50)	25	66.9(76.9)	106(116)	75	41.3 ^{+0.6}	19.3 ^{+0.4}	10 ^{+0.1}	36	M6×1	10	12	12	5.1	48(58)	∅26H9 ∇ 3.5

Bore	O	P	Q	R	S	T	U	V	W	X	Y	Z	Y1	Y2	AA	BB	CC	DD	EE
10	11.4	M2.5×0.45	3	5.7	M3×0.5	23	8	21(31)	5 ^{+0.05}	11	∅2H9 ∇ 3	16.4 ^{+0.08}	5.2 ^{+0.02}	7.6 ^{+0.02}	18	12	-	-	-
16	16	M3×0.5	4	7	M5×0.8	30.6	8	25(30)	8 ^{+0.05}	13	∅2H9 ∇ 3	23.6 ^{+0.05}	6.5 ^{+0.02}	11 ^{+0.02}	22	15	11.6	2.1	5.8
20	18.6	M4×0.7	5	9	M5×0.8	42	10	30(36)	10 ^{+0.05}	15	∅4H9 ∇ 4	27.6 ^{+0.05}	7.5 ^{+0.02}	16.8 ^{+0.02}	32	18	14	2.1	9
25	22	M5×0.8	6	12	M5×0.8	52	10	33(43)	12 ^{+0.05}	20	∅4H9 ∇ 4	33.6 ^{+0.05}	10 ^{+0.02}	21.8 ^{+0.02}	40	22	19	3.5	11.5

Y Type Gripper

Profile · SUS Tube

Stents Module

Quick Changer

Grip Module

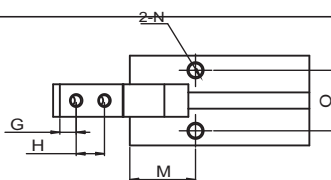
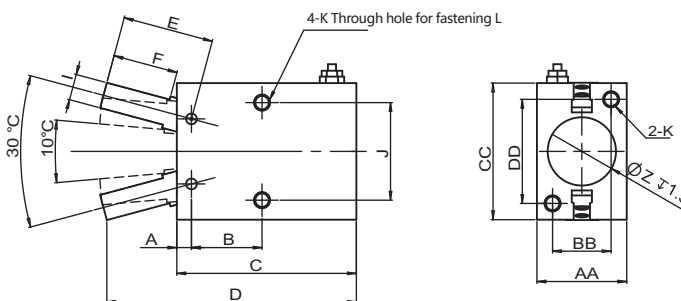
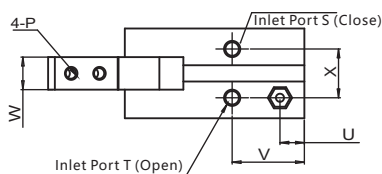
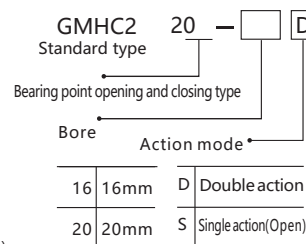
Air Nipper

Vacuum Module

Accessory Components



PN	S	1.Y02014	1.Y02730
	D	1.Y05738	1.Y04328
Model	S	GMHC2-16S	GMHC2-20S
	D	GMHC2-16D	GMHC2-20D
Bore	16		20
Fluid	Air		
Operating pressure range	Single action	0.1~0.6	
	Double action	0.25~0.6	
Environment and fluid temperature	-10~60°C		
Maximum frequency of use	180c.p.m		
Repeatability accuracy	±0.01		



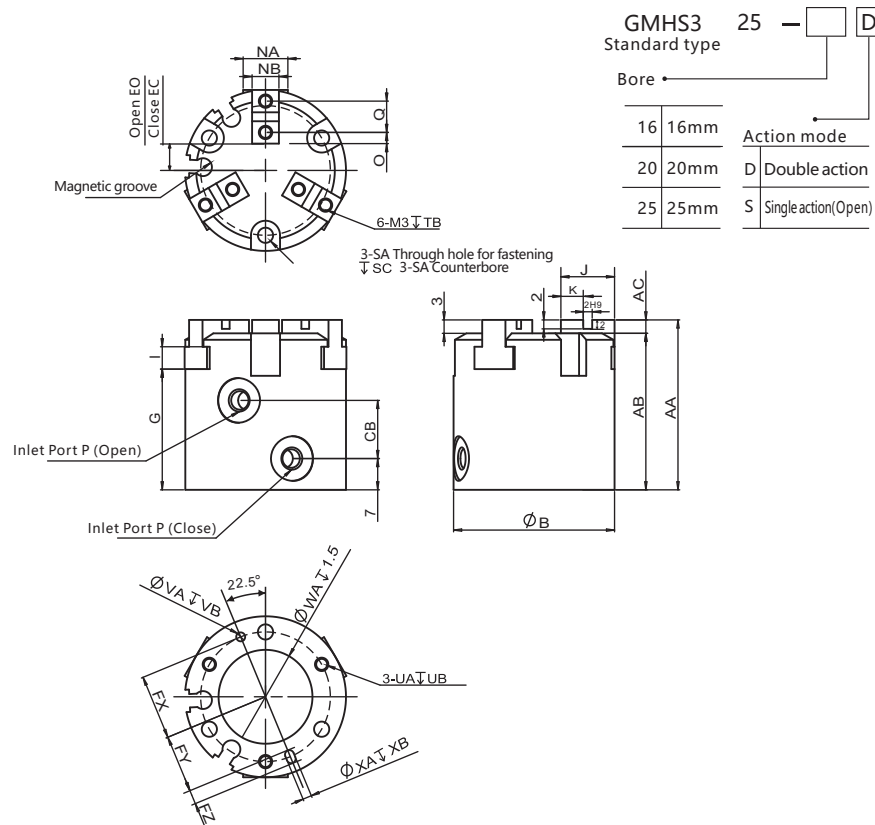
(Bore) (mm)	A	B	C	D	E	F	G	H	I	J	K	L	M	N	O	P	Pipe Size S T	U	V	W	X	Z	AA	BB	CC	DD
16	3.9	16.2	44.6	62.5	22.6	16	4	7	7	24	M4X0.7 ∇ 8	3.4	10.7	M4X0.7 ∇ 8	16	M3X0.5	M5X0.8	7	18.3	8	13	17	23.6	15	30.6	22
20	4.5	21.7	55.2	78.7	28	20	5.2	9	8	30	M5X0.8 ∇ 10	4.3	15.7	M5X0.8 ∇ 8	8.6	M4X0.7	M5X0.8	7.5	22.2	10	15	21	27.6	18	42	32

Three Jaws Gripper



PN	1.Y04529	1.Y04764	1.Y05750	
Model	GMHS3-16D	GMHS3-20D	GMHS3-25D	
Bore	16	20	25	
Fluid	Air			
Operating pressure range	0.2~0.6MPa			
Environment and fluid temperature	-10~60°C			
Repeatability accuracy	±0.01			
Maximum frequency of use	120c.p.m			
Action mode	Double action			
*Note gripping force N Pressure 0.5MPa	External diameter clamping	14	25	42
	Internal diameter clamping	16	28	47
	External diameter clamping with dust cover	9	21	36
Standard finger stroke with hood	4	4	6	
Long stroke finger stroke	10	10	12	
Pipe Size	M3×0.5	M5×0.8		
Magnetic switch	Built in magnetic ring type			

Note (Clamping force when holding the outside diameter, The value of the holding point of Ø16-Ø25 is L=20mm)



Bore	AA	AB	B	CB	EC	EO	FX	FY	FZ	G	I	J	K	NA	NB
16	35	32	30	11	5	7	12.5	11	3	25	4	10	4	8	5h9
20	38	35	36	13	6	8	14.5	13	3	27	5	12	5	10	6h9
25	40	37	42	15	7	10	17	14.5	5	28	5	14	6	12	6h9

Bore	O	P	Q	SA	SB	SC	TB	UA	UB	VA	VB	WA	XA	XB
16	2	M3x0.5	6	3.4	6.5	8	5	M3x0.5	4.5	2H9	2	17H9	2H9	2
20	2.5	M5x0.8	7	3.4	6.5	9.5	6	M3x0.5	6	2H9	2	21H9	2H9	2
25	3	M5x0.8	8	4.5	8	10	6	M4x0.7	6	3H9	3	26H9	3H9	3

Profile · SUS Tube

Stents Module

Quick Changer

Grip Module

Air Nipper

Vacuum Module

Accessory Components

Air Slide Table Double-ported Type GMXQ □A Series

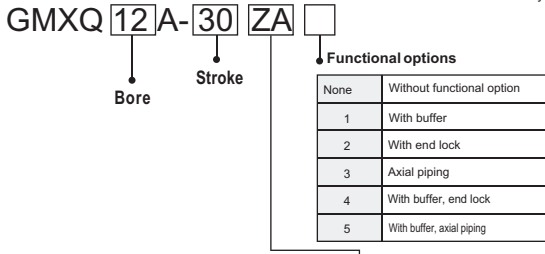


Bore size (mm)	6	8	12	16	20	25
Piping port size	M5 x 0.8					
Fluid	Air					
Action	Double acting					
Operating pressure	0.15 to 0.7 MPa*1 (End lock: 0.35 to 0.7 Mpa)*1					
Proof pressure	1.05MPa					
Ambient and fluid temperatures	-10~60°C					
Operating speed range	50 to 500 mm/s (Metal stopper with bumper: 50 to 300 mm/s)					
(Average operating speed)	50~300mm/s the standard stroke table : 50 to 300 mm/s					
Cushion (Without stroke adjuster)	Internal rubber bumper					
Cushion (With stroke adjuster)	Metal stopper with bumper, Rubber stopper, Shock absorber, Metal stopper					
Lubrication	Non-lube					
Magnetic switch	2-color indicator solid state magnetic switch (2-wire, 3-wire)					
Stroke length tolerance	+2.0~0					

Solid state magnetic switch, Reed magnetic switch (2-wire, 3-wire)

Note) If the operating pressure is lower than the minimum operating pressure, the repeated accuracy will decline. Minimum operating pressure of the metal stopper with bumper: Pressure required to fully compress the protrusion of the bumper to get in contact with the metal part The operating pressure of the bore size 20 cylinder with shock absorber is 0.15 to 0.6 MPa.

Model representation methods



Stroke/magnetic switch selection

Model	(mm)	Standard stroke (mm)	Magnetic switch	
			Contactless	
			2-wire	3-wire
GMXQ6A	6	10,20,30,40,50		D-M9N
GMXQ8A	8	10,20,30,40,50,75		D-M9NL
GMXQ12A	12	10,20,30,40,50,75,100		D-M9NV
GMXQ16A	16	10,20,30,40,50,75,100,125		D-M9NVL
GMXQ20A	20	10,20,30,40,50,75,100,125,150		D-M9P
GMXQ25A	25	10,20,30,40,50,75,100,125,150*		D-M9PL
			D-M9B	D-M9PV
			D-M9BL	D-M9PVL
			D-M9BV	
			D-M9BVL	

* The operating speed range of the stroke marked with an asterisk (*) is 50 to 300 mm/s. (Without stroke adjuster)

Adjuster options/Functional option combinations

Symbol	Adjuster type	Adjuster mounting position*1		Functional option combination					
		Extension stroke end	Retraction stroke end	None	1	2	3	4	5
Z	Without adjuster			Without functional option	With buffer 2,3	With end lock 4	Axial piping	With buffer, end lock*4	With buffer, axial piping*2
ZA	Metal stopper with bumper (Ø6)	●	●	○	○	○	○	○	○
ZB		●	●	○	○	○	○	○	○
ZC		●	●	○	○	○	○	○	○
ZD		●	●	○	○	○	○	○	○
ZE	Rubber stopper	●	●	○	○	○	○	○	○
ZF		●	●	○	○	○	○	○	○
ZG		●	●	○	○	○	○	○	○
ZH	Shock absorber/RJ	●	●	○	○	○	○	○	○
ZJ		●	●	○	○	○	○	○	○
ZN		●	●	○	○	○	○	○	○
ZP		●	●	○	○	○	○	○	○
ZQ	Shorter total length type*5	●	●	○	○	○	○	○	○
ZR		●	●	○	○	○	○	○	○
ZS		●	●	○	○	○	○	○	○

Maximum Load Weight

Model	Adjuster option			kg	
	Without adjuster	Rubber stopper	Metal stopper with bumper	Horizontal	Vertical
GMXQ6A	0.6	0.6	—	0.6	
GMXQ8A	1	1	1	1	
GMXQ12A	2	2	2	1.5	1
GMXQ16A	4	4	4	4	2.5
GMXQ20A	6	6	6	6	
GMXQ25A	9	9	9	9	6

Allowable Kinetic Energy

Model	Adjuster option			
	Without adjuster	Rubber stopper	Metal stopper with bumper	Shock absorber/RJ
GMXQ6A	0.026	0.051	—	0.14
GMXQ8A	0.033	0.053	0.016	0.17
GMXQ12A	0.09	0.11	0.034	0.24
GMXQ16A	0.1	0.18	0.07	0.61
GMXQ20A	0.2	0.34	0.10	1.2
GMXQ25A	0.32	0.51	0.15	1.3

Theoretical Output

Bore size(mm)	Rod size mm	Operating direction	Piston area (mm ²)	(Mpa) Operating pressure (Mpa)						
				0.2	0.3	0.4	0.5	0.6	0.7	
6	3	OUT	57	11	17	23	29	34	40	
		IN	42	8	13	17	21	25	29	
8	4	OUT	101	20	30	40	51	61	71	
		IN	75	15	23	30	38	45	53	
12	6	OUT	226	45	68	90	113	136	158	
		IN	170	34	51	68	85	102	119	
16	6	OUT	402	80	121	161	201	241	281	
		IN	346	69	104	138	173	207	242	
20	8	OUT	628	126	188	251	314	377	440	
		IN	528	106	158	211	264	317	369	
25	10	OUT	982	196	295	393	491	589	687	
		IN	825	165	247	330	412	495	577	

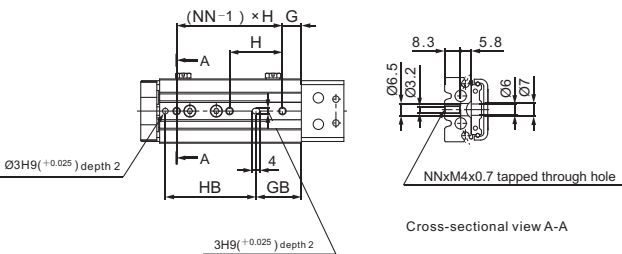
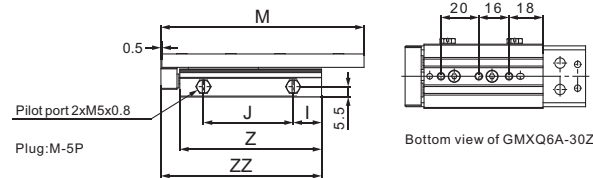
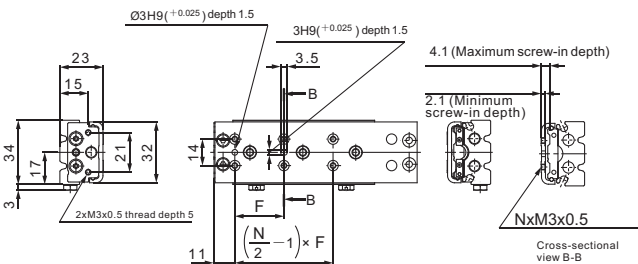
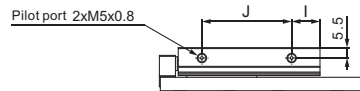
The dual rod ensures an output twice that of current cylinders.

Air Slide Table Double-ported Type GMXQ□ A Series

NEW



GMXQ6A-□Z Standard type



*1 If long bolts are used, they may touch the guide block and cause a malfunction, etc. Use a screw which has an intermediate length between the maximum screw-in depth and minimum screw-in depth.
 *2 Since the table is made of a magnetic substance, it could become magnetized if touched by a magnet, etc. This could cause an auto switch malfunction.

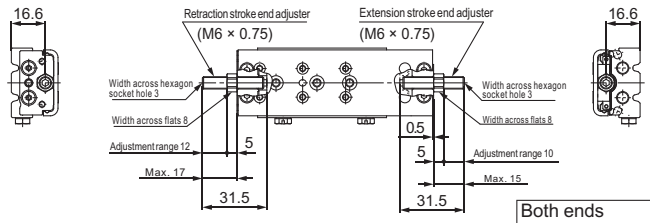
Dimensions (mm)

Model	F	G	GB	H	HB	I
GMXQ6A-10Z	22	18	9	23	38	10
GMXQ6A-20Z	25	15	9	26	38	10
GMXQ6A-30Z	21	-	12	-	48	13
GMXQ6A-40Z	26	10	24	28	48	15
GMXQ6A-50Z	27	20	34	28	48	15

Mode	J	M	N	NN	Z	ZZ
GMXQ6A-10Z	27.5	64.5	4	2	50	60
GMXQ6A-20Z	27.5	74.5	4	2	50	60
GMXQ6A-30Z	37.5	95.5	6	3	63	73
GMXQ6A-40Z	47.5	107.5	6	3	75	85
GMXQ6A-50Z	57.5	117.5	6	3	85	95

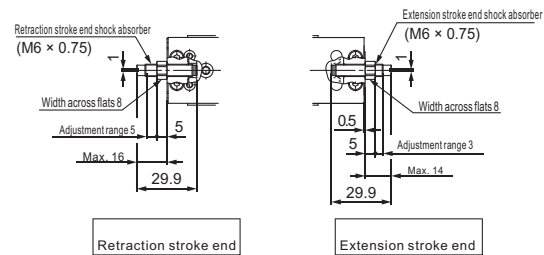
Rubber stopper **ZD** : Both ends, **ZE** : Extension stroke end, **ZF** : Retraction stroke end,

ZP : Retraction stroke end (Shorter total length type)



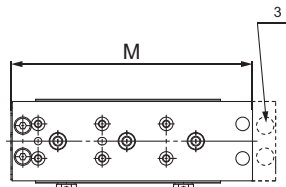
Shock absorber/RJ **ZG** : Both ends, **ZH** : Extension stroke end, **ZJ** : Retraction stroke end,

ZQ : Retraction stroke end (Shorter total length type)



* Dimensions other than those listed above are the same as those for the standard type.

GMXQ6A-□ZN Shorter total length type



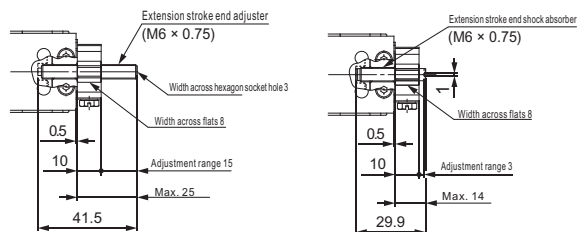
Model	M
GMXQ6A-10ZN	55
GMXQ6A-20ZN	65
GMXQ6A-30ZN	86
GMXQ6A-40ZN	98
GMXQ6A-50ZN	108

* Dimensions other than those listed above are the same as those for the standard type.

*3 As the total length has been reduced by removing the extension stroke end adjuster mounting holes, an extension stroke end adjuster cannot be mounted afterward. (Retraction stroke end adjusters can be mounted afterward.)

GMXQ6A □□2 With end lock extension stroke and adjuster (Ø6)

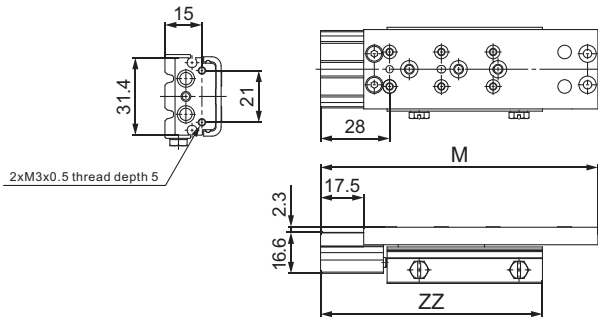
Rubber stopper: **ZE** Shock absorber/RJ: **ZH**



* Dimensions other than those listed above are the same as those for the standard type.

Select the long adjustment nut and bolt specification (-X28) when an end lock and extension stroke end adjuster are used together. However, the product number suffix (-X28) is not required. The stroke adjustment range is different from the adjuster of the standard product. A retraction stroke end adjuster cannot be mounted to the end lock.

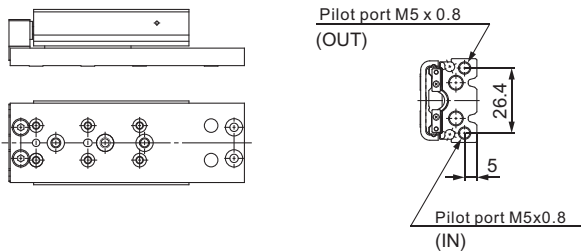
GMXQ6A - □□1 With buffer (Ø6)



* Dimensions other than those listed above are the same as those for the standard type.

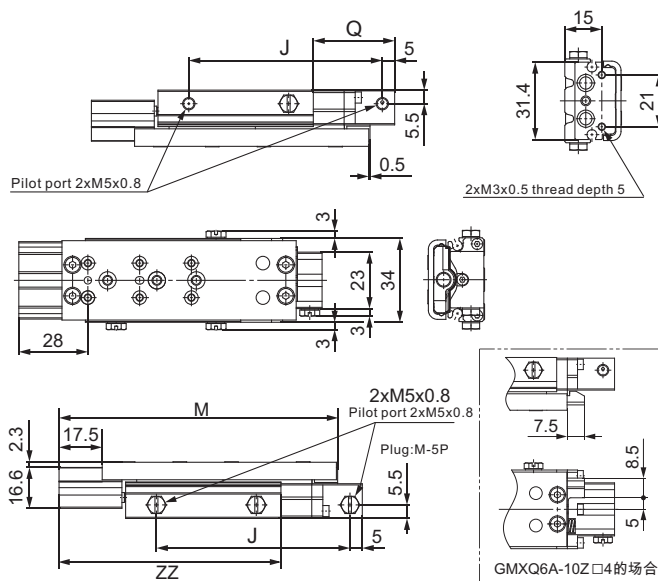
Model	Standard type	Shorter total length type	ZZ
	M	M	
GMXQ6A-10Z□1	81.5	72	77
GMXQ6A-20Z□1	91.5	82	77
GMXQ6A-30Z□1	112.5	103	90
GMXQ6A-40Z□1	124.5	115	102
GMXQ6A-50Z□1	134.5	125	112

GMXQ6A-□□3 Axial piping (Ø6)



* Dimensions other than those listed above are the same as those for the standard type.

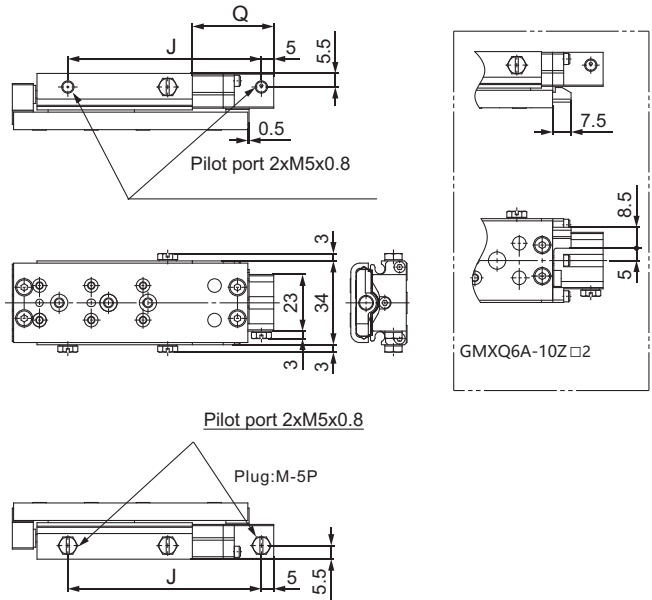
GMXQ6A-□□4 With buffer, end lock (Ø6)



* Dimensions other than those listed above are the same as those for the standard type.

Model	J	Q	Standard type	Shorter total length type	ZZ
			M	M	
GMXQ6A-10Z□4	57.5	25	81.5	72	77
GMXQ6A-20Z□4	57.5	25	91.5	82	77
GMXQ6A-30Z□4	78.5	33	112.5	103	90
GMXQ6A-40Z□4	90.5	33	124.5	115	102
GMXQ6A-50Z□4	100.5	33	134.5	125	112

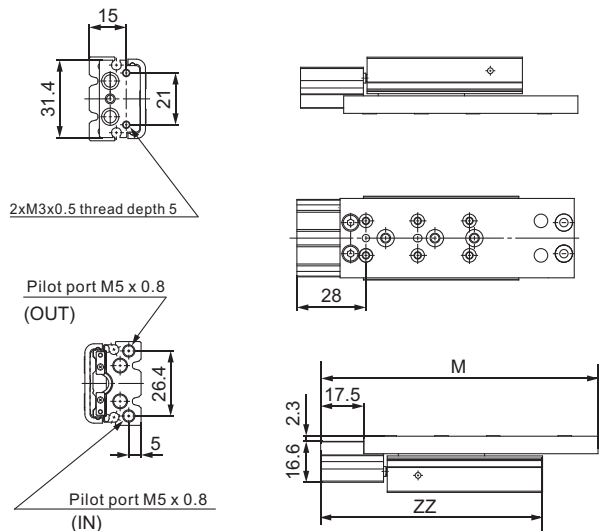
GMXQ6A - □□2 With end lock (Ø6)



* Dimensions other than those listed above are the same as those for the standard type.

Model	J	Q
GMXQ6A-10Z□2	57.5	25
GMXQ6A-20Z□2	57.5	25
GMXQ6A-30Z□2	78.5	33
GMXQ6A-40Z□2	90.5	33
GMXQ6A-50Z□2	100.5	33

GMXQ6A-□□5 With buffer, axial piping (Ø6)

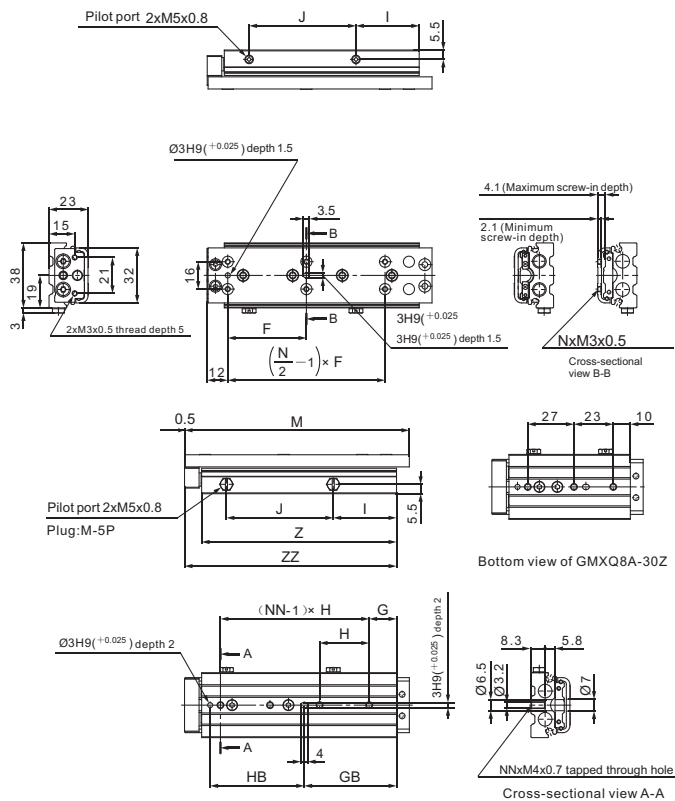


* Dimensions other than those listed above are the same as those for the standard type.

Model	Standard type	Shorter total length type	ZZ
	M	M	
GMXQ6A-10Z□5	81.5	72	77
GMXQ6A-20Z□5	91.5	82	77
GMXQ6A-30Z□5	112.5	103	90
GMXQ6A-40Z□5	124.5	115	102
GMXQ6A-50Z□5	134.5	125	112

Air Slide Table Double-ported Type GMXQ□ A Series

GMXQ8A-□Z Standard type



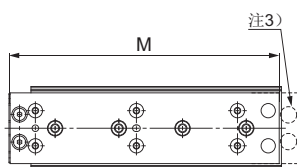
*1 If long bolts are used, they may touch the guide block and cause a malfunction, etc. Use a screw which has an intermediate length between the maximum screw-in depth and minimum screw-in depth.
 *2 Since the table is made of a magnetic substance, it could become magnetized if touched by a magnet, etc. This could cause an auto switch malfunction.

Dimensions

Model	F	G	GB	H	HB	I
GMXQ8A-10Z	25	15	9	25	37	10
GMXQ8A-20Z	25	22	16	28	40	14
GMXQ8A-30Z	26	-	26	-	40	14.5
GMXQ8A-40Z	32	14	27	31	55	20
GMXQ8A-50Z	46	16	54	29	55	37
GMXQ8A-75Z	50	15	56	30	55	10

Model	J	M	N	NN	Z	ZZ
GMXQ8A-10Z	26.5	68.5	4	2	51	61
GMXQ8A-20Z	32.5	78.5	4	2	61	71
GMXQ8A-30Z	42	88.5	6	3	71	81
GMXQ8A-40Z	52.5	104.5	6	3	87	97
GMXQ8A-50Z	62.5	131.5	6	4	114	124
GMXQ8A-75Z	91.5	156.5	6	4	116	126

GMXQ8A-□ZN Shorter total length type



Mode	M
GMXQ8A-10ZN	60
GMXQ8A-20ZN	70
GMXQ8A-30ZN	80
GMXQ8A-40ZN	96
GMXQ8A-50ZN	123
GMXQ8A-75ZN	148

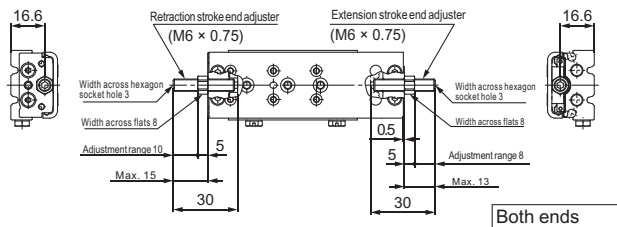
* Dimensions other than those listed above are the same as those for the standard type.
 注 3)

*3 As the total length has been reduced by removing the extension stroke end adjuster mounting holes, an extension stroke end adjuster cannot be mounted afterward. (Retraction stroke end adjusters can be mounted afterward.)

GMXQ8A □□ With adjuster option (Ø8)

Metal stopper with bumper □ZA : Both ends, □ZB : Extension stroke end, □ZC : Retraction stroke end,

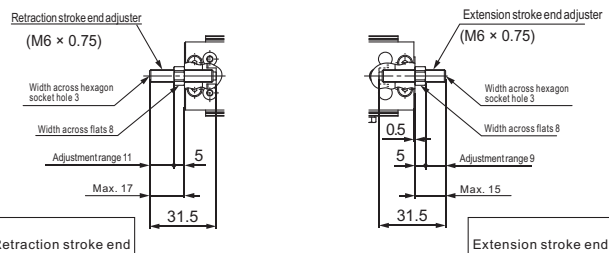
□ZS : Retraction stroke end (Shorter total length type)



* Dimensions other than those listed above are the same as those for the standard type.

Rubber stopper □ZD : Both ends, □ZE : Extension stroke end, □ZF : Retraction stroke end,

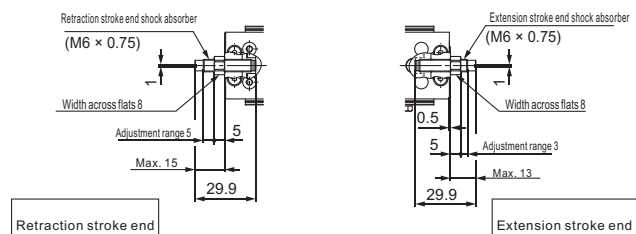
□ZP : Retraction stroke end (Shorter total length type)



* Dimensions other than those listed above are the same as those for the standard type.

Shock absorber/RJ □ZG : Both ends, □ZH : Extension stroke end, □ZJ : Retraction stroke end,

□ZQ : Retraction stroke end (Shorter total length type)

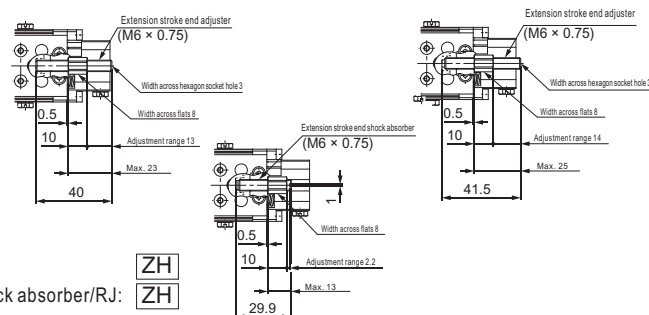


* Dimensions other than those listed above are the same as those for the standard type.

GMXQ8A □□ 2 With adjuster option (Ø8)

Metal stopper with bumper □ZB

Rubber stopper: □ZE



Shock absorber/RJ: □ZH

* Dimensions other than those listed above are the same as those for the standard type.

Air Slide Table Double-ported Type GMXQ□A Series

Profile - SUS Tube

Stents Module

Quick Changer

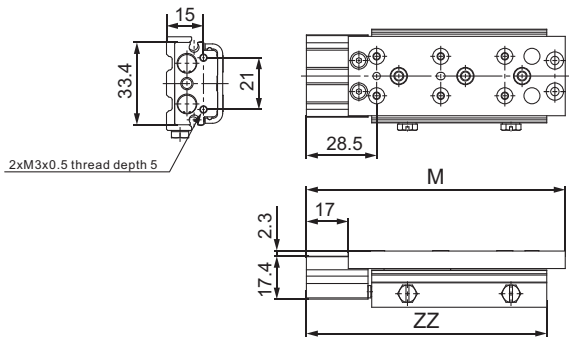
Grip Module

Air Nipper

Vacuum Module

Accessory Components

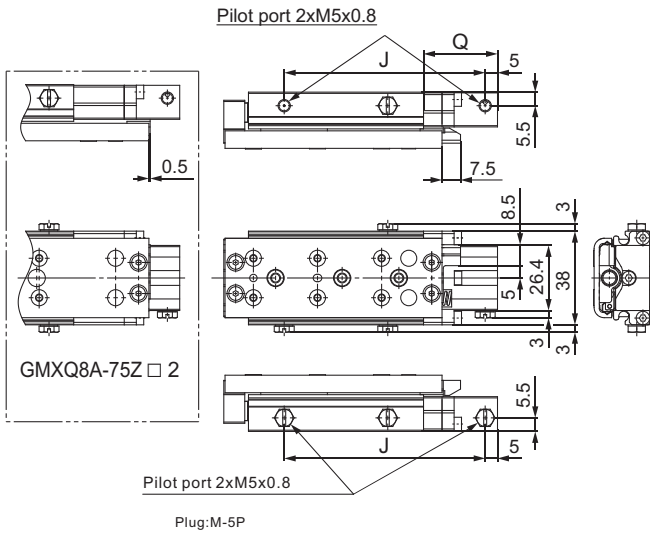
GMXQ8A - □□1 With buffer (Ø8)



* Dimensions other than those listed above are the same as those for the standard type.

Model	Standard type	Shorter total length type	ZZ
	M	M	
GMXQ8A-10Z□1	85	76.5	77.5
GMXQ8A-20Z□1	95	86.5	87.5
GMXQ8A-30Z□1	105	96.5	97.5
GMXQ8A-40Z□1	121	112.5	113.5
GMXQ8A-50Z□1	148	139.5	140.5
GMXQ8A-75Z□1	173	164.5	142.5

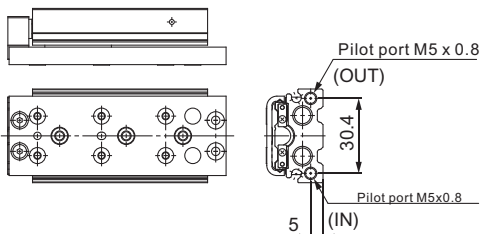
GMXQ8A - □□2 With buffer (Ø8)



* Dimensions other than those listed above are the same as those for the standard type.

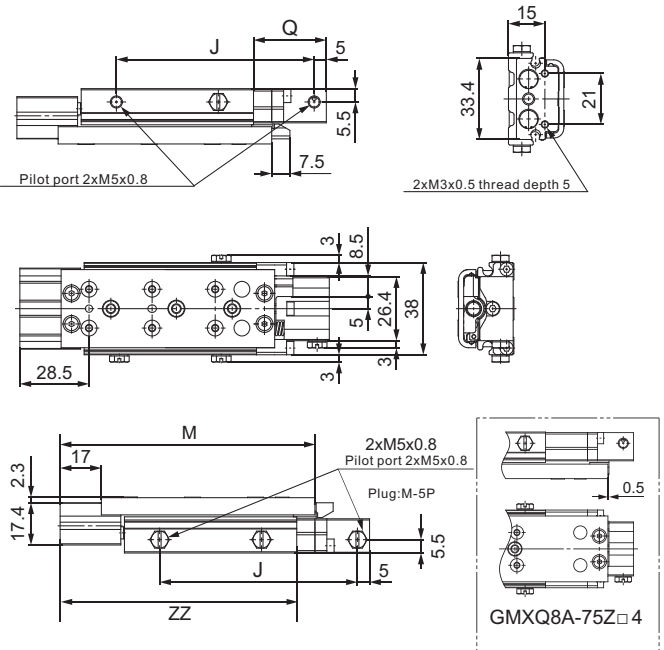
Model	J	Q
GMXQ8A-20Z□2	71.5	30
GMXQ8A-30Z□2	81.5	30
GMXQ8A-40Z□2	97.5	30
GMXQ8A-50Z□2	124.5	30
GMXQ8A-75Z□2	139.5	43

GMXQ8A-□□3 Axial piping (Ø8)



* Dimensions other than those listed above are the same as those for the standard type.

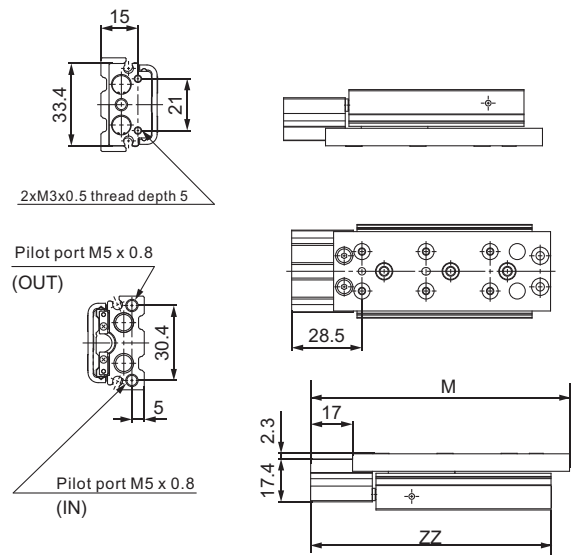
GMXQ8A-□□4 With buffer, end lock (Ø8)



* Dimensions other than those listed above are the same as those for the standard type.

Model	J	Q	Standard type	Shorter total length type	ZZ
			M	M	
GMXQ8A-10Z□4	61.5	30	85	76.5	77.5
GMXQ8A-20Z□4	71.5	30	95	86.5	87.5
GMXQ8A-30Z□4	81.5	30	105	96.5	97.5
GMXQ8A-40Z□4	97.5	30	121	112.5	113.5
GMXQ8A-50Z□4	124.5	30	148	139.5	140.5
GMXQ8A-75Z□4	139.5	43	173	164.5	142.5

GMXQ8A-□□5 With buffer axial piping (Ø8)

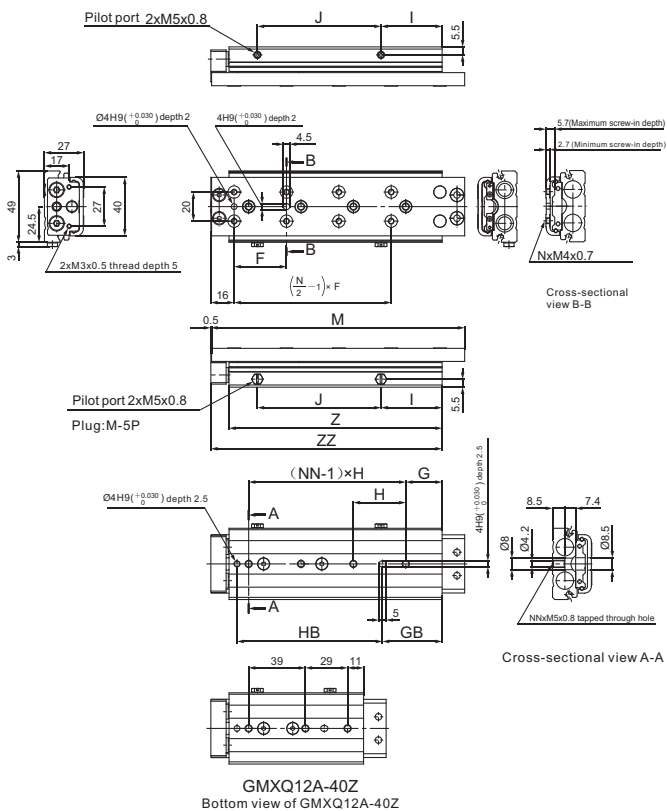


* Dimensions other than those listed above are the same as those for the standard type.

Model	Standard type	Shorter total length type	ZZ
	M	M	
GMXQ8A-10Z□5	85	76.5	77.5
GMXQ8A-20Z□5	95	86.5	87.5
GMXQ8A-30Z□5	105	96.5	97.5
GMXQ8A-40Z□5	121	112.5	113.5
GMXQ8A-50Z□5	148	139.5	140.5
GMXQ8A-75Z□5	173	164.5	142.5

Air Slide Table Double-ported Type GMXQ□A Series

GMXQ12A-□Z Standard type



*1 If long bolts are used, they may touch the guide block and cause a malfunction, etc. Use a screw which has an intermediate length between the maximum screw-in depth and minimum screw-in depth.
 *2 Since the table is made of a magnetic substance, it could become magnetized if touched by a magnet, etc. This could cause an auto switch malfunction.

Dimensions (mm)

Model	F	G	GB	H	HB	I
GMXQ12A-10Z	28	17	11	32	46	11
GMXQ12A-20Z	28	19	11	32	48	13
GMXQ12A-30Z	38	21	11	40	58	15
GMXQ12A-40Z	34	-	27	-	60	23
GMXQ12A-50Z	34	11	37	39	60	23
GMXQ12A-75Z	36	25	41	36	100	42
GMXQ12A-100Z	36	14	66	36	100	42

型号 (Model)	J	M	N	NN	Z	ZZ
GMXQ12A-10Z	32	82.5	4	2	62.5	75
GMXQ12A-20Z	32	92.5	4	2	64.5	77
GMXQ12A-30Z	40	102.5	4	2	74.5	87
GMXQ12A-40Z	50	120.5	6	3	92.5	105
GMXQ12A-50Z	60	130.5	6	3	102.5	115
GMXQ12A-75Z	85	174.5	8	4	146.5	159
GMXQ12A-100Z	110	199.5	10	5	171.5	184

GMXQ12A-□ZN Shorter total length type

Model	M
GMXQ12A-10ZN	72
GMXQ12A-20ZN	82
GMXQ12A-30ZN	92
GMXQ12A-40ZN	110
GMXQ12A-50ZN	120
GMXQ12A-75ZN	164
GMXQ12A-100ZN	189

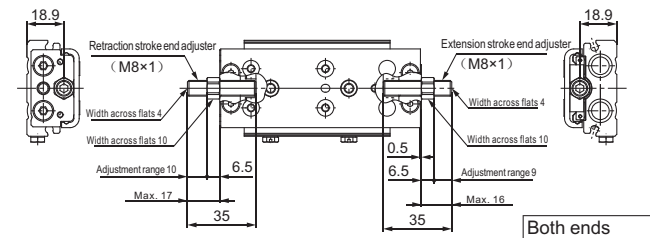
* Dimensions other than those listed above are the same as those for the standard type.

*3 As the total length has been reduced by removing the extension stroke end adjuster mounting holes, an extension stroke end adjuster cannot be mounted afterward. (Retraction stroke end adjusters can be mounted afterward.)

GMXQ12A-□□ With adjuster option (Ø12)

Metal stopper with bumper **ZA**: Both ends, **ZB**: Extension stroke end, **ZC**: Retraction stroke end,

ZS: Retraction stroke end (Shorter total length type)

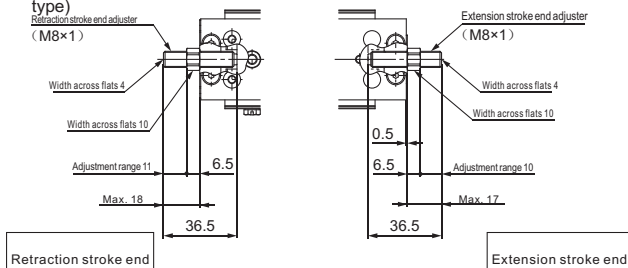


* Dimensions other than those listed above are the same as those for the standard type.

Rubber stopper

ZD: Both ends, **ZE**: Extension stroke end, **ZF**: Retraction stroke end,

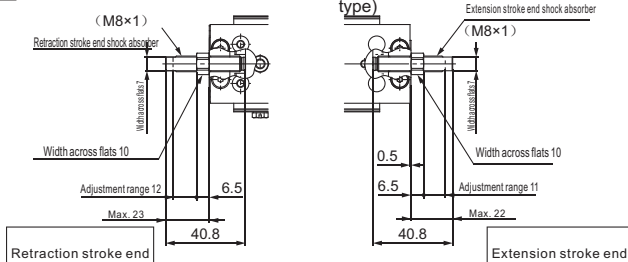
ZP: Retraction stroke end (Shorter total length type)



* Dimensions other than those listed above are the same as those for the standard type.

Shock absorber/RJ **ZG**: Both ends, **ZH**: Extension stroke end, **ZJ**: Retraction stroke end,

ZQ: Retraction stroke end (Shorter total length type)

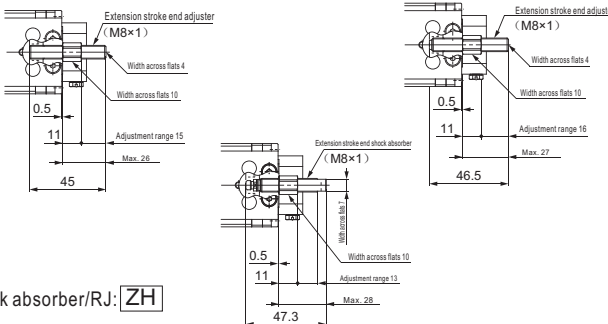


* Dimensions other than those listed above are the same as those for the standard type.

GMXQ12A □□ With end lock, extension stroke end adjuster (Ø12)

Metal stopper with bumper **ZB**

Rubber stopper: **ZE**



Shock absorber/RJ: **ZH**

* Dimensions other than those listed above are the same as those for the standard type.

Air Slide Table Double-ported Type GMXQ □A Series

Profile · SUS Tube

Stents Module

Quick Changer

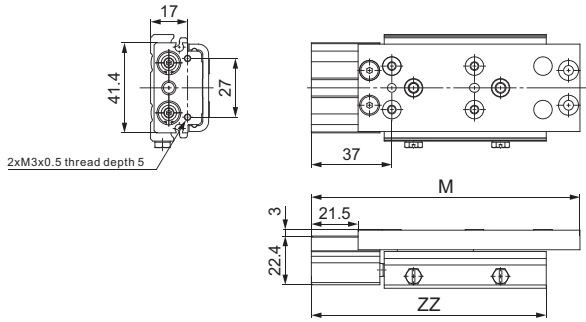
Grip Module

Air Nipper

Vacuum Module

Accessory Components

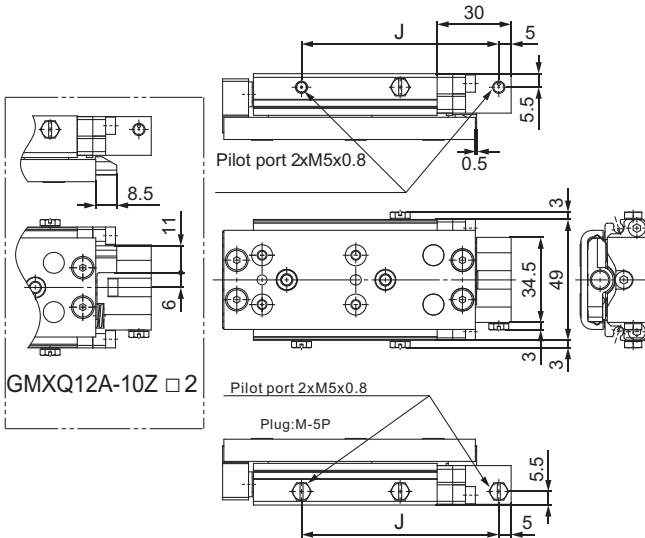
GMXQ12A - □□1 With buffer (Ø12)



* Dimensions other than those listed above are the same as those for the standard type.

Model	Standard type	Shorter total length type	ZZ
	M	M	
GMXQ12A-10Z□1	103.5	93	96
GMXQ12A-20Z□1	113.5	103	98
GMXQ12A-30Z□1	123.5	113	108
GMXQ12A-40Z□1	141.5	131	126
GMXQ12A-50Z□1	151.5	141	136
GMXQ12A-75Z□1	195.5	185	180
GMXQ12A-100Z□1	220.5	210	205

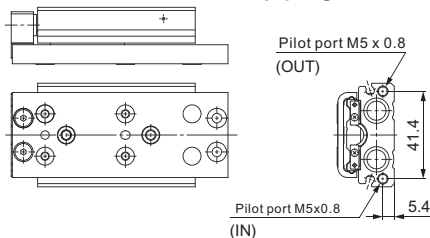
GMXQ12A - □□2 With end lock (Ø12)



* Dimensions other than those listed above are the same as those for the standard type.

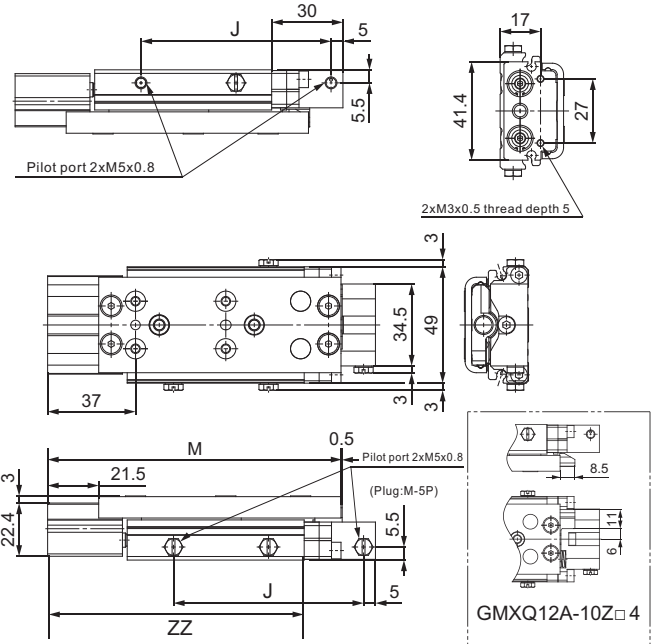
Model	J
GMXQ12A-10Z□2	68
GMXQ12A-20Z□2	70
GMXQ12A-30Z□2	80
GMXQ12A-40Z□2	98
GMXQ12A-50Z□2	108
GMXQ12A-75Z□2	152
GMXQ12A-100Z□2	177

GMXQ12A-□□3 Axial piping (Ø12)



* Dimensions other than those listed above are the same as those for the standard type.

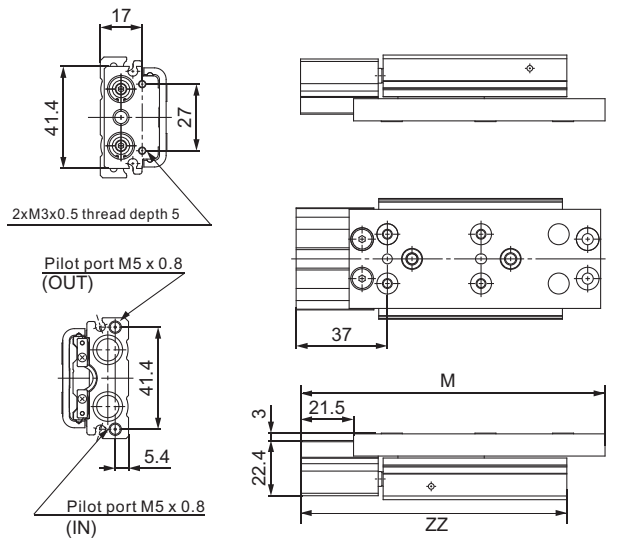
GMXQ12A - □□4 With buffer, end lock (Ø12)



* Dimensions other than those listed above are the same as those for the standard type.

Model	J	Standard type	Shorter total length type	ZZ
		M	M	
GMXQ12A-10Z□4	68	103.5	93	96
GMXQ12A-20Z□4	70	113.5	103	98
GMXQ12A-30Z□4	80	123.5	113	108
GMXQ12A-40Z□4	98	141.5	131	126
GMXQ12A-50Z□4	108	151.5	141	136
GMXQ12A-75Z□4	152	195.5	185	180
GMXQ12A-100Z□4	177	220.5	210	205

GMXQ12A-□□5 With buffer, axial piping (Ø12)

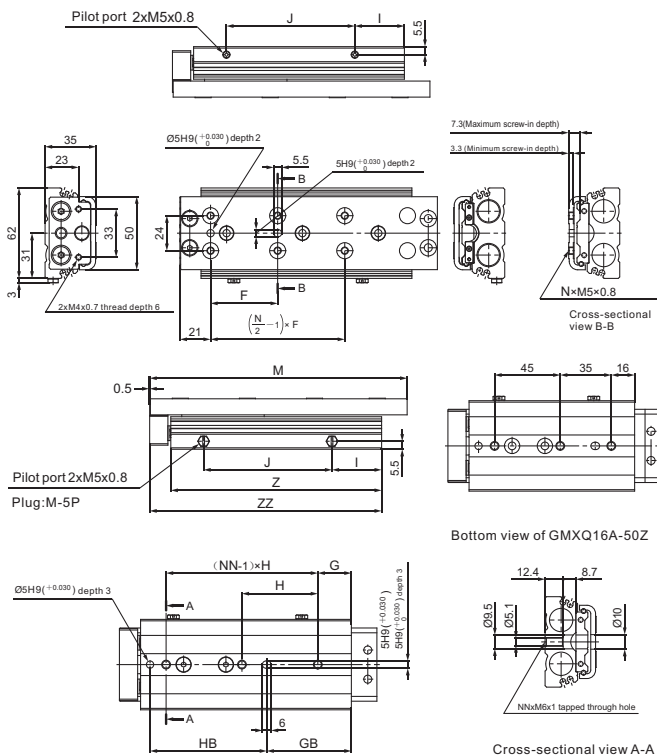


* Dimensions other than those listed above are the same as those for the standard type.

Model	Standard type	Shorter total length type	ZZ
	M	M	
GMXQ12A-10Z□5	103.5	93	96
GMXQ12A-20Z□5	113.5	103	98
GMXQ12A-30Z□5	123.5	113	108
GMXQ12A-40Z□5	141.5	131	126
GMXQ12A-50Z□5	151.5	141	136
GMXQ12A-75Z□5	195.5	185	180
GMXQ12A-100Z□5	220.5	210	205

Air Slide Table Double-ported Type GMXQ□ A Series

GMXQ16A-□Z Standard type



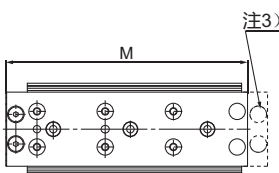
*1 If long bolts are used, they may touch the guide block and cause a malfunction, etc. Use a screw which has an intermediate length between the maximum screw-in depth and minimum screw-in depth.
 *2 Since the table is made of a magnetic substance, it could become magnetized if touched by a magnet, etc. This could cause an auto switch malfunction.

Dimensions (mm)

Model	F	G	GB	H	HB	I
GMXQ16A-10Z	38	16	8	39	58	22
GMXQ16A-20Z	38	20	12	39	58	15
GMXQ16A-30Z	48	21	30	48	50	16
GMXQ16A-40Z	58	28	1	58	80	23
GMXQ16A-50Z	40	-	27	-	80	28
GMXQ16A-75Z	46	23	58	52	80	34
GMXQ16A-100Z	44	39	102	44	80	53
GMXQ16A-125Z	44	20	127	44	80	53

Model	J	M	N	NN	Z	ZZ
GMXQ16A-10Z	28	98.5	4	2	72.5	87
GMXQ16A-20Z	39	108.5	4	2	76.5	91
GMXQ16A-30Z	48	118.5	4	2	86.5	101
GMXQ16A-40Z	58	135.5	4	2	103.5	118
GMXQ16A-50Z	63	145.5	6	3	113.5	128
GMXQ16A-75Z	88	176.5	6	3	144.5	159
GMXQ16A-100Z	113	220.5	8	4	188.5	203
GMXQ16A-125Z	138	245.5	10	5	213.5	228

GMXQ16A-□ZN Shorter total length type



Model	M
GMXQ16A-10ZN	85
GMXQ16A-20ZN	95
GMXQ16A-30ZN	105
GMXQ16A-40ZN	122
GMXQ16A-50ZN	132
GMXQ16A-75ZN	163
GMXQ16A-100ZN	207
GMXQ16A-125ZN	232

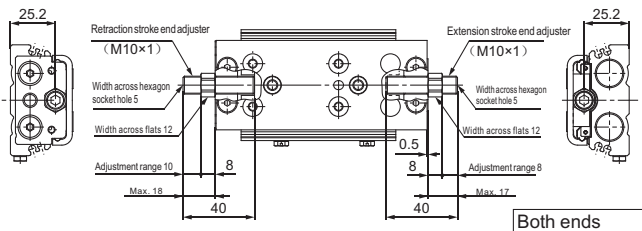
* Dimensions other than those listed above are the same as those for the standard type.

*3 As the total length has been reduced by removing the extension stroke end adjuster mounting holes, an extension stroke end adjuster cannot be mounted afterward. (Retraction stroke end adjusters can be mounted afterward.)

GMXQ 16A □□ With adjuster option (Ø16)

Metal stopper with bumper **ZA** : Both ends, **ZB** : Extension stroke end, **ZC** : Retraction stroke end,

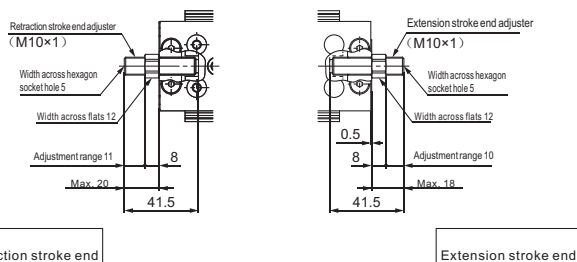
ZS : Retraction stroke end (Shorter total length type)



* Dimensions other than those listed above are the same as those for the standard type.

Rubber stopper **ZD** : Both ends, **ZE** : Extension stroke end, **ZF** : Retraction stroke end,

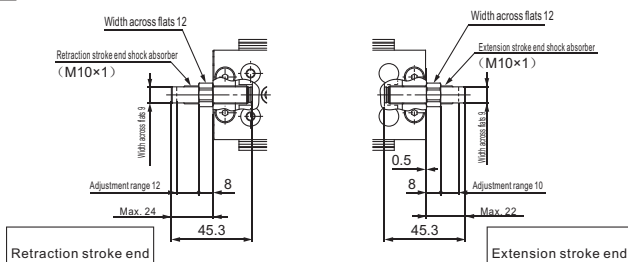
ZP : Retraction stroke end (Shorter total length type)



* Dimensions other than those listed above are the same as those for the standard type.

Shock absorber/RJ **ZG** : Both ends, **ZH** : Extension stroke end, **ZJ** : Retraction stroke end,

ZQ : Retraction stroke end (Shorter total length type)

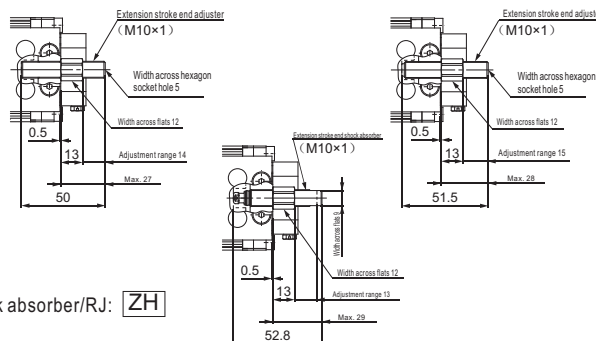


* Dimensions other than those listed above are the same as those for the standard type.

GMXQ 16A □□ With end lock, extension stroke end adjuster (Ø16)

Metal stopper with bumper **ZB**

Rubber stopper: **ZE**



Shock absorber/RJ: **ZH**

* Dimensions other than those listed above are the same as those for the standard type.

Air Slide Table Double-ported Type GMXQ□ A Series

Profile · SUS Tube

Stents Module

Quick Changer

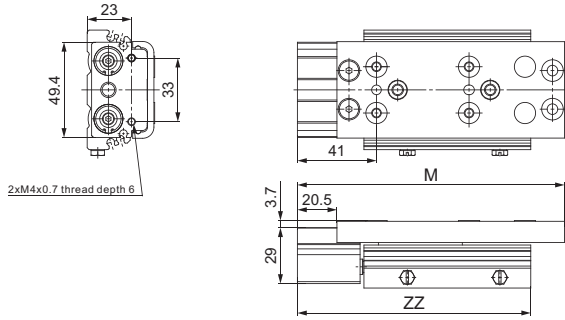
Grip Module

Air Nipper

Vacuum Module

Accessory Components

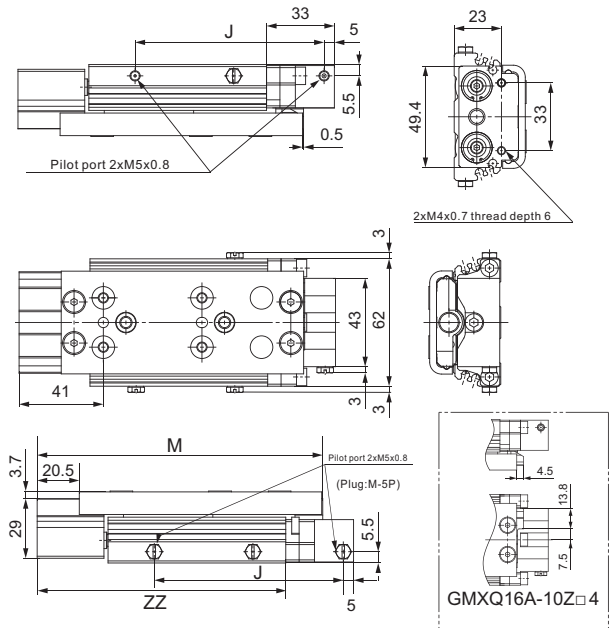
GMXQ16A - □□1 With buffer (Ø16)



* Dimensions other than those listed above are the same as those for the standard type.

Model)	Standard type	Shorter total length type	ZZ
	M	M	
GMXQ16A-10Z□1	118.5	105	107
GMXQ16A-20Z□1	128.5	115	111
GMXQ16A-30Z□1	138.5	125	121
GMXQ16A-40Z□1	155.5	142	138
GMXQ16A-50Z□1	165.5	152	148
GMXQ16A-75Z□1	196.5	183	179
GMXQ16A-100Z□1	240.5	227	223
GMXQ16A-125Z□1	265.5	252	248

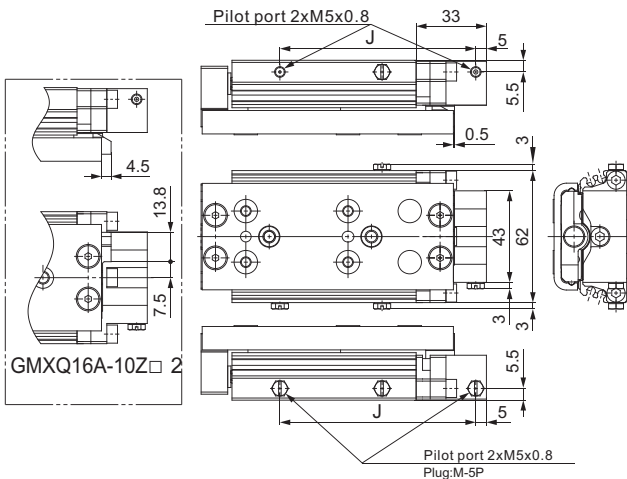
GMXQ16A- □□4 With buffer, end lock (Ø16)



* Dimensions other than those listed above are the same as those for the standard type.

Model	J	Standard type	Shorter total length type	ZZ
		M	M	
GMXQ16A-10Z□4	78	118.5	105	107
GMXQ16A-20Z□4	82	128.5	115	111
GMXQ16A-30Z□4	92	138.5	125	121
GMXQ16A-40Z□4	109	155.5	142	138
GMXQ16A-50Z□4	119	165.5	152	148
GMXQ16A-75Z□4	150	196.5	183	179
GMXQ16A-100Z□4	194	240.5	227	223
GMXQ16A-125Z□4	219	265.5	252	248

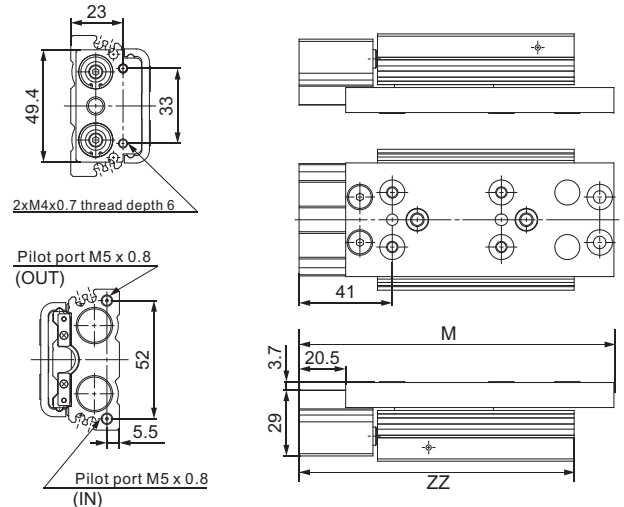
GMXQ16A - □□2 With end lock (Ø16)



* Dimensions other than those listed above are the same as those for the standard type.

Model	J
GMXQ16A-10Z□2	78
GMXQ16A-20Z□2	82
GMXQ16A-30Z□2	92
GMXQ16A-40Z□2	109
GMXQ16A-50Z□2	119
GMXQ16A-75Z□2	150
GMXQ16A-100Z□2	194
GMXQ16A-125Z□2	219

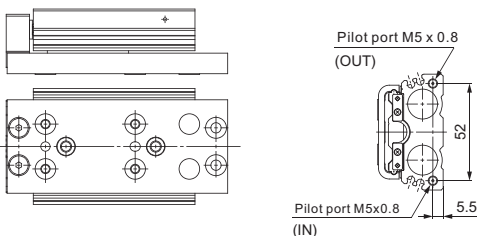
GMXQ16A-□□5 With buffer, axial piping (Ø16)



* Dimensions other than those listed above are the same as those for the standard type.

Model	Standard type	Shorter total length type	ZZ
	M	M	
GMXQ16A-10Z□5	118.5	105	107
GMXQ16A-20Z□5	128.5	115	111
GMXQ16A-30Z□5	138.5	125	121
GMXQ16A-40Z□5	155.5	142	138
GMXQ16A-50Z□5	165.5	152	148
GMXQ16A-75Z□5	196.5	183	179
GMXQ16A-100Z□5	240.5	227	223
GMXQ16A-125Z□5	265.5	252	248

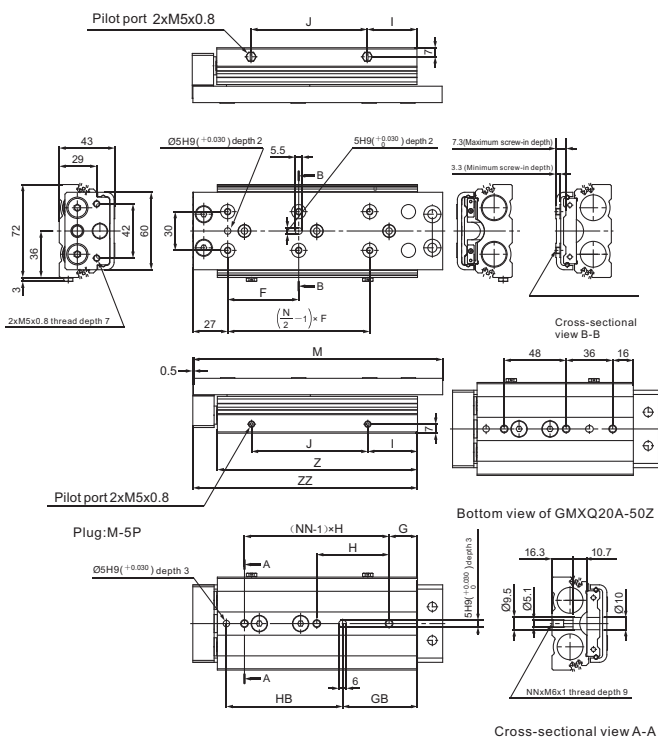
GMXQ16A- □□3 Axial piping (Ø16)



* Dimensions other than those listed above are the same as those for the standard type.

Air Slide Table Double-ported Type GMXQ □A Series

GMXQ20A-□Z Standard type



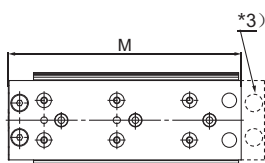
*1 If long bolts are used, they may touch the guide block and cause a malfunction, etc. Use a screw which has an intermediate length between the maximum screw-in depth and minimum screw-in depth.
 *2 Since the table is made of a magnetic substance, it could become magnetized if touched by a magnet, etc. This could cause an auto switch malfunction.

Dimensions

Model	F	G	GB	H	HB	I
GMXQ20A-10Z	45	18	8	46	70	24.5
GMXQ20A-20Z	40	18	8	46	70	24.5
GMXQ20A-30Z	48	28	18	46	70	22.5
GMXQ20A-40Z	58	28	18	56	80	22.5
GMXQ20A-50Z	42	-	34	-	80	30.5
GMXQ20A-75Z	55	22	58	56	90	38.5
GMXQ20A-100Z	50	16	108	56	90	63.5
GMXQ20A-125Z	55	32	133	59	90	63.5
GMXQ20A-150Z	62	48	158	62	90	63.5

Model	J	M	N	NN	Z	ZZ
GMXQ20A-10Z	34	113.5	4	2	85	104
GMXQ20A-20Z	34	123.5	4	2	85	104
GMXQ20A-30Z	46	133.5	4	2	95	114
GMXQ20A-40Z	56	143.5	4	2	105	124
GMXQ20A-50Z	64	159.5	6	3	121	140
GMXQ20A-75Z	90	193.5	6	3	155	174
GMXQ20A-100Z	115	266.5	8	4	205	224
GMXQ20A-125Z	140	291.5	8	4	230	249
GMXQ20A-150Z	165	316.5	8	4	255	274

GMXQ20A-□ZN Shorter total length type



Model	M
GMXQ20A-10ZN	96
GMXQ20A-20ZN	106
GMXQ20A-30ZN	116
GMXQ20A-40ZN	126
GMXQ20A-50ZN	142
GMXQ20A-75ZN	176
GMXQ20A-100ZN	249
GMXQ20A-125ZN	274
GMXQ20A-150ZN	299

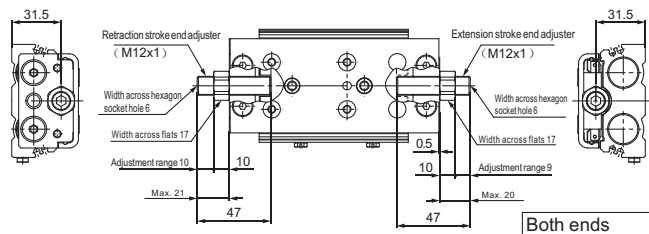
* Dimensions other than those listed above are the same as those for the standard type.

*3 As the total length has been reduced by removing the extension stroke end adjuster mounting holes, an extension stroke end adjuster cannot be mounted afterward. (Retraction stroke end adjusters can be mounted afterward.)

GMXQ20A-□□ With adjuster option (Ø20)

Metal stopper with bumper **ZA** : Both ends, **ZB** : Extension stroke end, **ZC** : Retraction stroke end,

ZS : Retraction stroke end (Shorter total length type)

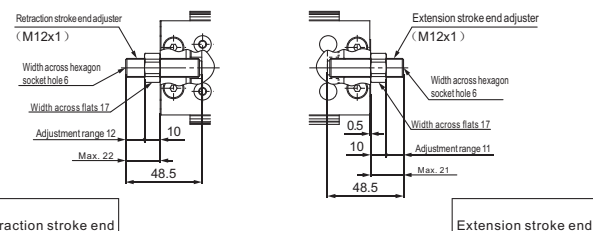


* Dimensions other than those listed above are the same as those for the standard type.

Rubber stopper

ZD : Both ends, **ZE** : Extension stroke end, **ZF** : Retraction stroke end,

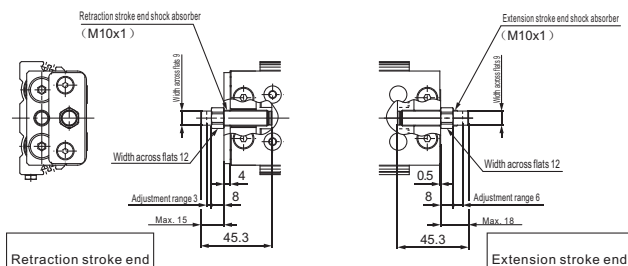
ZP : Retraction stroke end (Shorter total length type)



* Dimensions other than those listed above are the same as those for the standard type.

Shock absorber/RJ **ZG** : Both ends, **ZH** : Extension stroke end, **ZJ** : Retraction stroke end,

ZQ : Retraction stroke end (Shorter total length type)

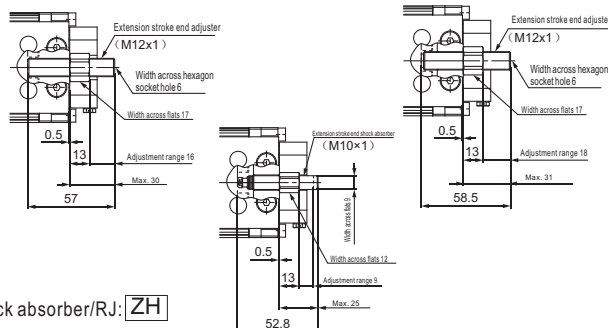


* Dimensions other than those listed above are the same as those for the standard type.

GMXQ20A-□□ With end lock, extension stroke end adjuster (Ø20)

Metal stopper with bumper **ZB**

Rubber stopper: **ZE**



Shock absorber/RJ: **ZH**

* Dimensions other than those listed above are the same as those for the standard type.

Air Slide Table Double-ported Type GMXQ□ A Series

Profile · SUS Tube

Stents Module

Quick Changer

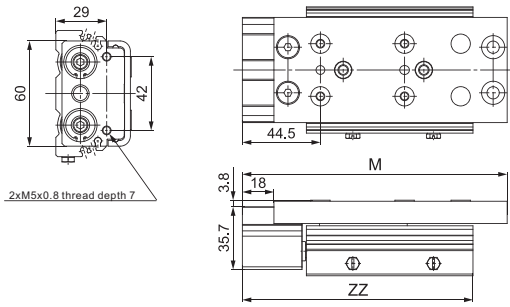
Grip Module

Air Nipper

Vacuum Module

Accessory Components

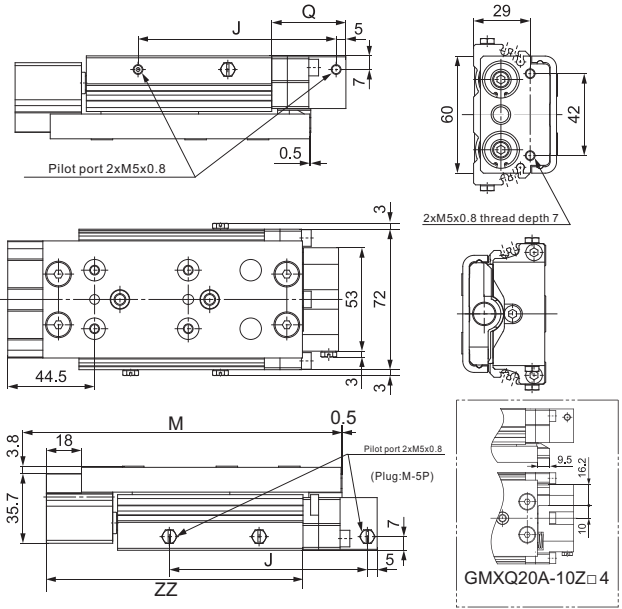
GMXQ20A - □1 With buffer (Ø20)



* Dimensions other than those listed above are the same as those for the standard type.

Model	Standard type		ZZ
	M	Shorter total length type	
GMXQ20A-10Z□1	131	113.5	121.5
GMXQ20A-20Z□1	141	123.5	121.5
GMXQ20A-30Z□1	151	133.5	131.5
GMXQ20A-40Z□1	161	143.5	141.5
GMXQ20A-50Z□1	177	159.5	157.5
GMXQ20A-75Z□1	211	193.5	191.5
GMXQ20A-100Z□1	284	266.5	241.5
GMXQ20A-125Z□1	309	291.5	266.5
GMXQ20A-150Z□1	334	316.5	291.5

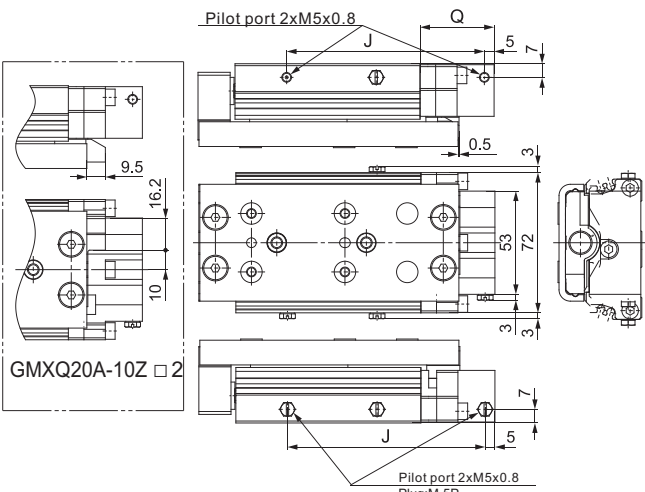
GMXQ20A- □4 With buffer, end lock (Ø20)



* Dimensions other than those listed above are the same as those for the standard type.

Model	J	Q	Standard type		ZZ
			M	Shorter total length type	
GMXQ20A-10Z□4	91.5	38	131	113.5	121.5
GMXQ20A-20Z□4	91.5	38	141	123.5	121.5
GMXQ20A-30Z□4	101.5	38	151	133.5	131.5
GMXQ20A-40Z□4	111.5	38	161	143.5	141.5
GMXQ20A-50Z□4	127.5	38	177	159.5	157.5
GMXQ20A-75Z□4	161.5	38	211	193.5	191.5
GMXQ20A-100Z□4	234.5	61	284	266.5	241.5
GMXQ20A-125Z□4	259.5	61	309	291.5	266.5
GMXQ20A-150Z□4	284.5	61	334	316.5	291.5

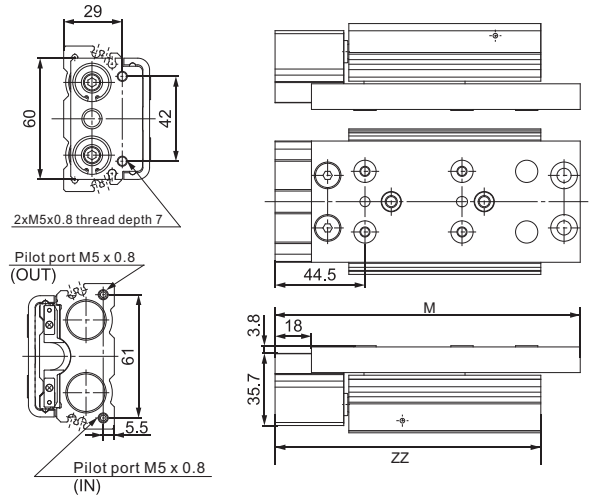
GMXQ 20A - □2 With end lock (Ø20)



* Dimensions other than those listed above are the same as those for the standard type.

Model	Standard type		ZZ
	J	Q	
GMXQ20A-10Z□2	91.5	38	121.5
GMXQ20A-20Z□2	91.5	38	121.5
GMXQ20A-30Z□2	101.5	38	131.5
GMXQ20A-40Z□2	111.5	38	141.5
GMXQ20A-50Z□2	127.5	38	157.5
GMXQ20A-75Z□2	161.5	38	191.5
GMXQ20A-100Z□2	234.5	61	241.5
GMXQ20A-125Z□2	259.5	61	266.5
GMXQ20A-150Z□2	284.5	61	291.5

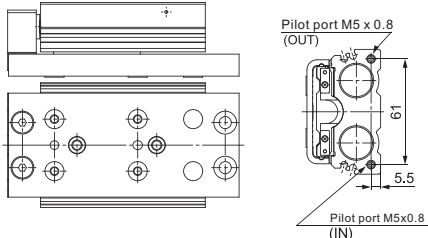
GMXQ 20A- □5 With buffer, axial piping (Ø20)



* Dimensions other than those listed above are the same as those for the standard type.

Model	Standard type		ZZ
	M	Shorter total length type	
GMXQ20A-10Z□5	131	113.5	121.5
GMXQ20A-20Z□5	141	123.5	121.5
GMXQ20A-30Z□5	151	133.5	131.5
GMXQ20A-40Z□5	161	143.5	141.5
GMXQ20A-50Z□5	177	159.5	157.5
GMXQ20A-75Z□5	211	193.5	191.5
GMXQ20A-100Z□5	284	266.5	241.5
GMXQ20A-125Z□5	309	291.5	266.5
GMXQ20A-150Z□5	334	316.5	291.5

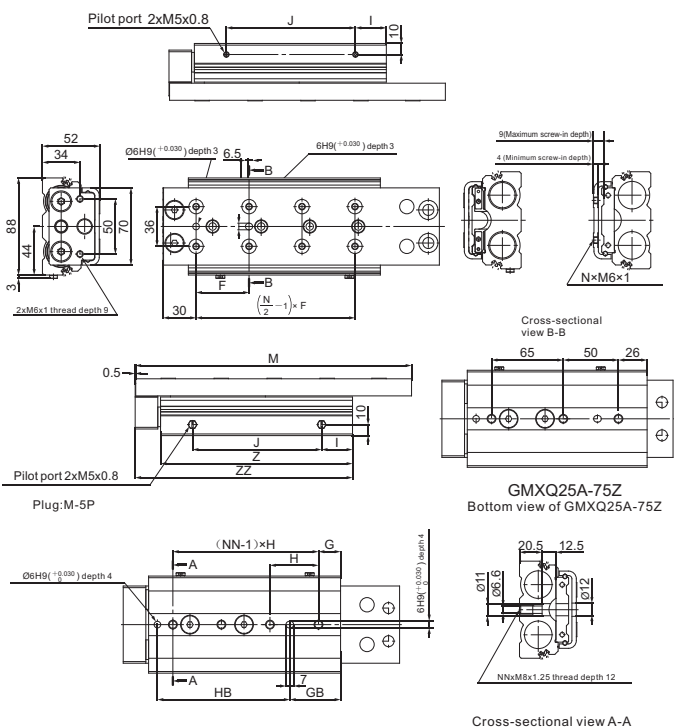
GMXQ 20A- □3 Axial piping (Ø20)



* Dimensions other than those listed above are the same as those for the standard type.

Air Slide Table Double-ported Type GMXQ □A Series

GMXQ25A-□Z Standard type



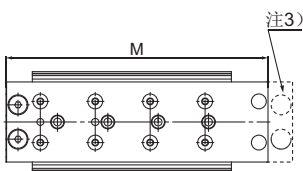
*1 If long bolts are used, they may touch the guide block and cause a malfunction, etc. Use a screw which has an intermediate length between the maximum screw-in depth and minimum screw-in depth.
 *2 Since the table is made of a magnetic substance, it could become magnetized if touched by a magnet, etc. This could cause an Magnetic switch malfunction.

Dimensions

Model	F	G	GB	H	HB	I
GMXQ25A-10Z	55	18	7	55	80	30
GMXQ25A-20Z	46	18	7	55	80	30
GMXQ25A-30Z	55	28	17	55	80	22
GMXQ25A-40Z	65	28	17	65	90	22
GMXQ25A-50Z	75	36	20	80	110	43
GMXQ25A-75Z	60	-	45	-	110	42
GMXQ25A-100Z	48	20	46	44	120	28
GMXQ25A-125Z	60	18	60	66	170	67
GMXQ25A-150Z	65	43	85	66	170	66

Model	J	M	N	NN	Z	ZZ
GMXQ25A-10Z	36	131.5	4	2	95	118
GMXQ25A-20Z	36	141.5	4	2	95	118
GMXQ25A-30Z	54	151.5	4	2	105	128
GMXQ25A-40Z	64	161.5	4	2	115	138
GMXQ25A-50Z	66	184.5	4	2	138	161
GMXQ25A-75Z	92	209.5	6	3	163	186
GMXQ25A-100Z	117	250.5	8	4	174	197
GMXQ25A-125Z	142	314.5	8	4	238	261
GMXQ25A-150Z	168	339.5	8	4	263	286

GMXQ25A-□ZN Shorter total length type



Model	M
GMXQ25A-10ZN	110
GMXQ25A-20ZN	120
GMXQ25A-30ZN	130
GMXQ25A-40ZN	140
GMXQ25A-50ZN	163
GMXQ25A-75ZN	188
GMXQ25A-100ZN	229
GMXQ25A-125ZN	293
GMXQ25A-150ZN	318

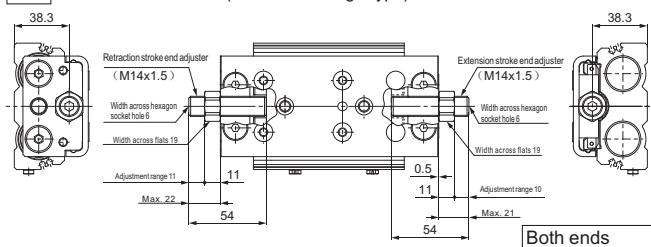
* Dimensions other than those listed above are the same as those for the standard type.

*3 As the total length has been reduced by removing the extension stroke end adjuster mounting holes, an extension stroke end adjuster cannot be mounted afterward. (Retraction stroke end adjusters can be mounted afterward.)

GMXQ25A-□□ With adjuster option (Ø25)

Metal stopper with bumper [ZA] : Both ends, [ZB] : Extension stroke end, [ZC] : Retraction stroke end,

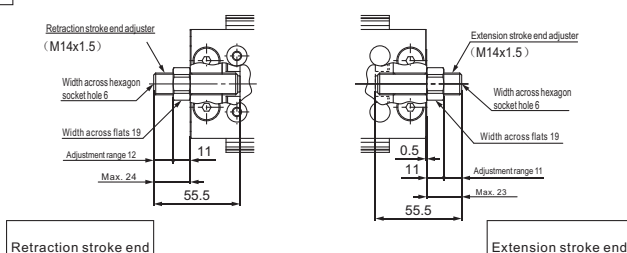
[ZS] : Retraction stroke end (Shorter total length type)



* Dimensions other than those listed above are the same as those for the standard type.

Rubber stopper [ZD] : Both ends, [ZE] : Extension stroke end, [ZF] : Retraction stroke end,

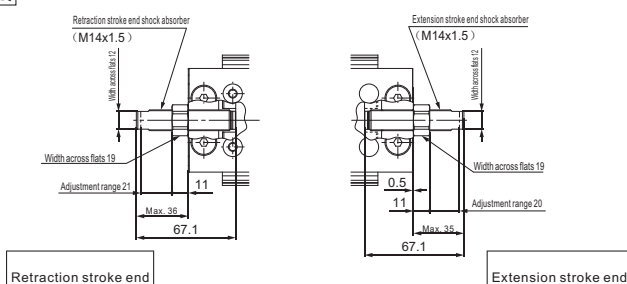
[ZP] : Retraction stroke end (Shorter total length type)



* Dimensions other than those listed above are the same as those for the standard type.

Shock absorber/RJ [ZG] : Both ends, [ZH] : Extension stroke end, [ZJ] : Retraction stroke end,

[ZQ] : Retraction stroke end (Shorter total length type)

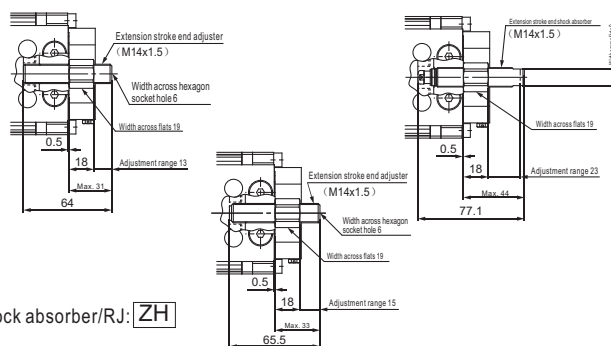


* Dimensions other than those listed above are the same as those for the standard type.

GMXQ25A □□2 With end lock, extension stroke end adjuster (Ø25)

Metal stopper with bumper [ZB]

Rubber stopper: [ZE]

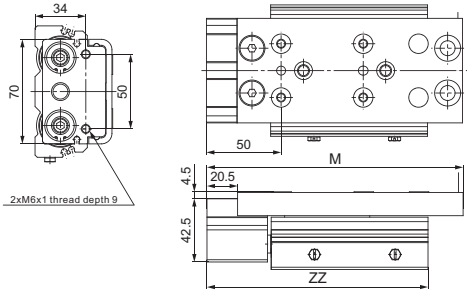


Shock absorber/RJ: [ZH]

* Dimensions other than those listed above are the same as those for the standard type.

Air Slide Table Double-ported Type GMXQ□A

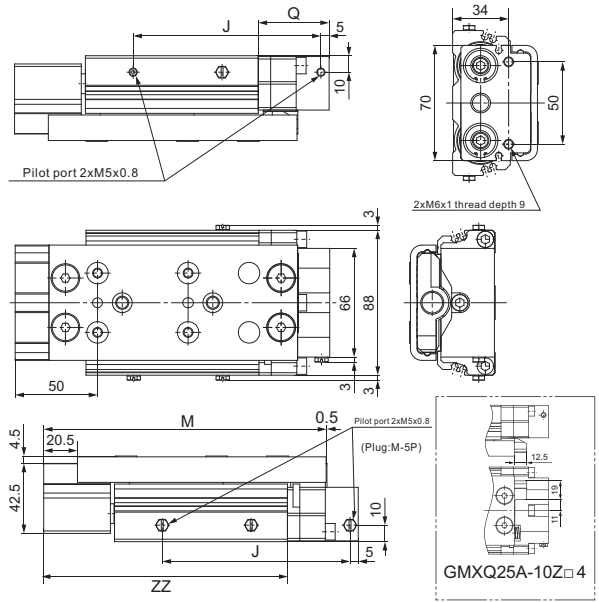
GMXQ25A - □□1 With buffer (Ø25)



* Dimensions other than those listed above are the same as those for the standard type.

Model	Standard type	Shorter total length type	ZZ
	M	M	
GMXQ25A-10Z□1	151.5	130	138
GMXQ25A-20Z□1	161.5	140	138
GMXQ25A-30Z□1	171.5	150	148
GMXQ25A-40Z□1	181.5	160	158
GMXQ25A-50Z□1	204.5	183	181
GMXQ25A-75Z□1	229.5	208	206
GMXQ25A-100Z□1	270.5	249	217
GMXQ25A-125Z□1	334.5	313	281
GMXQ25A-150Z□1	359.5	338	306

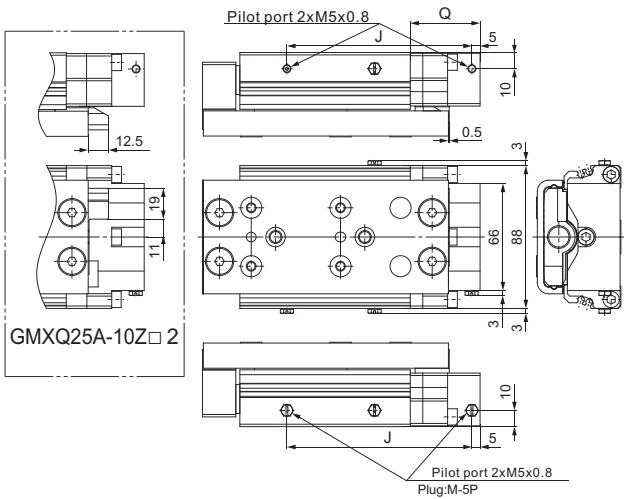
GMXQ25A- □□4 With buffer, end lock (Ø25)



* Dimensions other than those listed above are the same as those for the standard type.

Model	J	Q	Standard type	Shorter total length type	ZZ
			M	M	
GMXQ25A-10Z□4	109	48	151.5	130	138
GMXQ25A-20Z□4	104	43	161.5	140	138
GMXQ25A-30Z□4	114	43	171.5	150	148
GMXQ25A-40Z□4	124	43	181.5	160	158
GMXQ25A-50Z□4	147	43	204.5	183	181
GMXQ25A-75Z□4	172	43	229.5	208	206
GMXQ25A-100Z□4	213	73	270.5	149	217
GMXQ25A-125Z□4	277	73	334.5	313	281
GMXQ25A-150Z□4	302	73	359.5	338	306

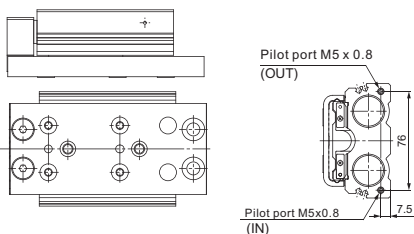
GMXQ 25A - □□2 With end lock (Ø25)



* Dimensions other than those listed above are the same as those for the standard type.

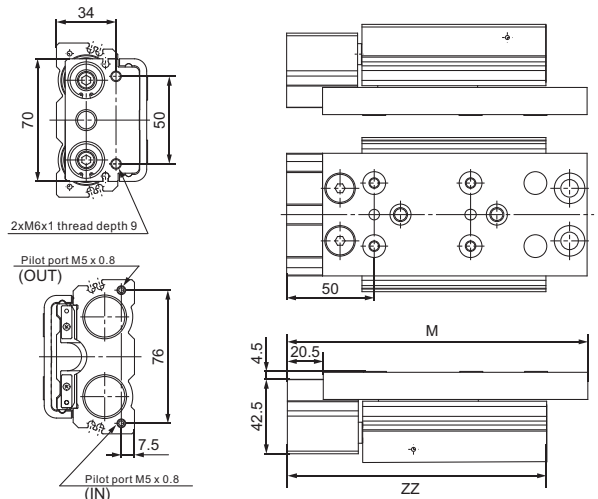
Model	J	Q
GMXQ25A-10Z□2	109	48
GMXQ25A-20Z□2	104	43
GMXQ25A-30Z□2	114	43
GMXQ25A-40Z□2	124	43
GMXQ25A-50Z□2	147	43
GMXQ25A-75Z□2	172	43
GMXQ25A-100Z□2	213	73
GMXQ25A-125Z□2	277	73
GMXQ25A-150Z□2	302	73

GMXQ 25A- □□3 Axial piping (Ø25)



* Dimensions other than those listed above are the same as those for the standard type.

GMXQ 25A- □□5 With buffer, axial piping (Ø25)



* Dimensions other than those listed above are the same as those for the standard type.

Model	Standard type	Shorter total length type	ZZ
	M	M	
GMXQ25A-10Z□5	151.5	130	138
GMXQ25A-20Z□5	161.5	140	138
GMXQ25A-30Z□5	171.5	150	148
GMXQ25A-40Z□5	181.5	160	158
GMXQ25A-50Z□5	204.5	183	181
GMXQ25A-75Z□5	229.5	208	206
GMXQ25A-100Z□5	270.5	149	217
GMXQ25A-125Z□5	334.5	313	281
GMXQ25A-150Z□5	359.5	338	306

Air Slide Table GMXS Series



Model	GMXS6	GMXS8	GMXS12	GMXS16	GMXS20	GMXS25
Bore size (mm)	Ø 6x2	Ø 8x2	Ø 12x2	Ø 16x2	Ø 20x2	Ø 25x2
Piping port size	M3 x 0.5	M5 x 0.8		Rc1/8		
Fluid	Air					
Action	Double acting					
Maximum operating pressure	0.7 MPa					
Minimum operating pressure	0.15 MPa					
Ambient and fluid temperatures	-10~ +60°C (No freezing)					
Piston speed	50~500mm/s					
Action	Rubber buffer (Standard)					
Lubrication	Non-lube					

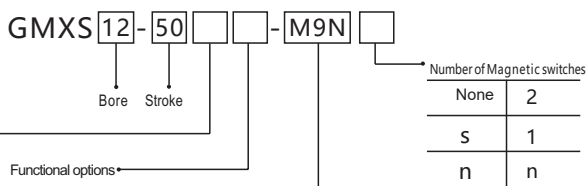
- *Optional with adjustable stroke device (0-5mm)
- *Double cylinder with 2 times output force, thin volume
- *The combination of cylinder and worktable reduces the overall size
- *Roller slider design, small friction, no gap between cylinder and worktable, suitable for precise assembly
- *Can install from 3 sides
- *Built-in ring, can install magnetic switch

*Please use turbine No.1 oil ISOVG32 if need.

Selection table

GMXS	Bore size (mm)	stroke (mm)							Functional options				Magnetic switch					
		10	20	30	40	50	75	100	125	150	Adjustable stroke device (0~5mm)	With buffer	With end lock	Axial piping	Install directly			
																2-wire	3-wire	
	Ø 6x2	●	●	●	●	●					●	●					D-M9B D-M9BL D-M9BV D-M9BVL	D-M9N D-M9NL D-M9NV D-M9NVL D-M9P D-M9PL D-M9PV D-M9PVL
	Ø 8x2	●	●	●	●	●	●				●	●						
	Ø 12x2	●	●	●	●	●	●	●			●	●						
	Ø 16x2	●	●	●	●	●	●	●	●		●	●						
	Ø 20x2	●	●	●	●	●	●	●	●	●	●	●						
	Ø 25x2	●	●	●	●	●	●	●	●	●	●	●	●					

Model representation methods



Adjusting device	
Nil	Without adjuster
AS	Adjuster on extension end
AT	Adjuster on retraction end
A	Adjuster on both ends
*BS	Absorber on extension end
*BT	Absorber on retraction end
*B	Absorber on both ends

Functional options*	
None	Without adjuster
F	With buffer
*R	With end lock
P	Axial piping type
*FR	With buffer and end lock
FP	With buffer, Axial piping type

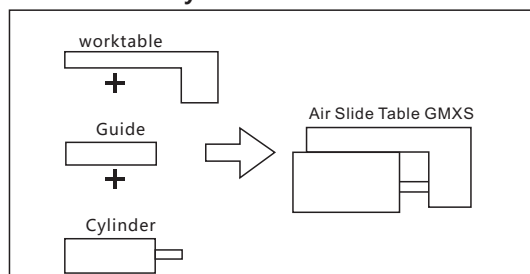
Magnetic switch

None Without Magnetic switch

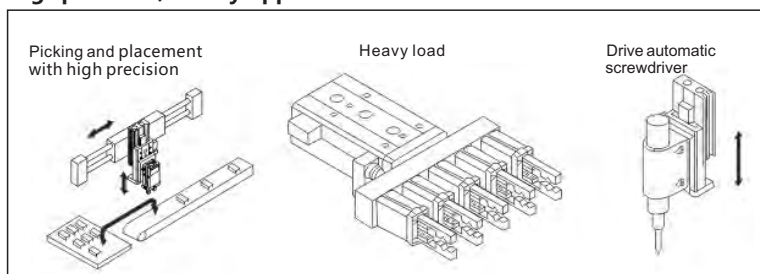
* For the applicable Magnetic switch models, refer to the table above.

Note
The specification and characteristics of magnetic switch can refer to the series of magnetic switch. At the end of the model of magnetic switch, the length mark of conductor is attached:
Nomark-0.5m, L-3m, Z-5m
Example: A96, A96L

Combination of cylinder and worktable



High precision, sturdy application



Air Slide Table GMXS Series

Fig. (1) Load Mass: W (kg)

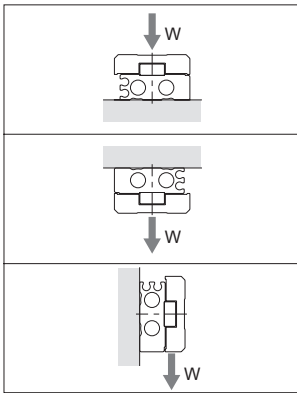


Fig. (3) Workpiece Mounting Coefficient: K

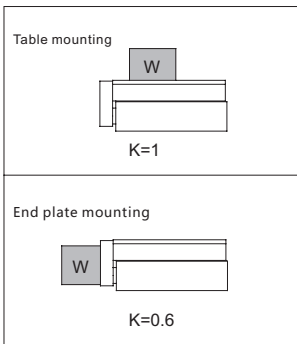


Table (2) Maximum Allowable Load Mass: Wmax (kg)

Model	Maximum allowable load mass
GMXS6	0.6
GMXS8	1
GMXS12	2
GMXS16	4
GMXS20	6
GMXS25	9

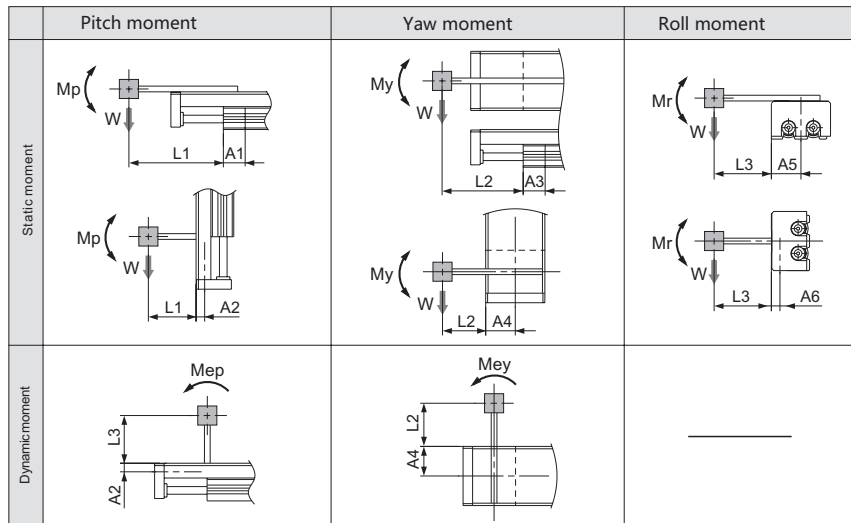
Table (4) Maximum Allowable Moment: Mmax (N·m)

Mode	(mm) Stroke (mm)									
	10	20	30	40	50	75	100	125	150	
GMXS6	0.7	1.0	1.2	1.2	1.2	-	-	-	-	
GMXS8	2.0	2.0	2.8	3.6	4.2	4.2	-	-	-	
GMXS12	4.2	4.2	4.2	5.8	7.0	10.0	10.0	-	-	
GMXS16	11.3	11.3	11.3	11.3	15.9	25.0	34.1	34.1	-	
GMXS20	19.4	19.4	19.4	19.4	27.2	35.0	50.5	50.5	50.5	
GMXS25	30.6	30.6	30.6	30.6	42.8	55.1	67.3	67.3	67.3	

Symbol

Symbol	Definition	Unit
$A_{n(n=1-6)}$	Correction value of moment center position distance	mm
E	Kinetic energy	J
Ea	Allowable kinetic energy	J
Emax	Max. allowable kinetic energy	J
$L_{n(n=1-3)}$	Overhang	mm
$M(M_p, M_y, M_r)$	Static moment (Pitch, Yaw, Roll)	N·m
$Ma(M_{ap}, M_{ay}, M_{ar})$	Allowable static moment (Pitch, Yaw, Roll)	N·m
$Me(M_{ep}, M_{ey})$	Dynamic moment (Pitch, Yaw)	N·m
$Mea(M_{eap}, M_{eay})$	Allowable dynamic moment (Pitch, Yaw)	N·m
$M_{max}(M_{pmax}, M_{ymax}, M_{rmax})$	Max. allowable moment (Pitch, Yaw, Roll)	N·m
V	Collision speed	mm/s

Fig. (2) Overhang: Ln (mm), Correction Value of Moment Center Position Distance: An (mm)



Note) Static moment: Moment generated by gravity
Dynamic moment: Moment generated by impact when colliding with stopper

Table (1) Maximum Allowable Kinetic Energy: Emax (J)

Model	Allowable kinetic energy	
	Rubber bumper	Shock absorber
GMXS6	0.018	-
GMXS8	0.027	0.045
GMXS12	0.055	0.11
GMXS16	0.11	0.22
GMXS20	0.16	0.32
GMXS25	0.24	0.48

Table (3) Correction Value of Moment Center Position Distance : An (mm)

Model	Correction value of moment center position distance (Refer to Figure 2.)					
	A1	A2	A3	A4	A5	A6
GMXS6	11	6	13	16	16	6
GMXS8	11	7.5	13	20	20	7.5
GMXS12	24	8.5	26	25	25	8.5
GMXS16	27	10	30	31	31	10
GMXS20	34	14.5	36	38	38	14.5
GMXS25	42	19	44	46	46	19

Table (4) Allowable Load Mass Coefficient: β

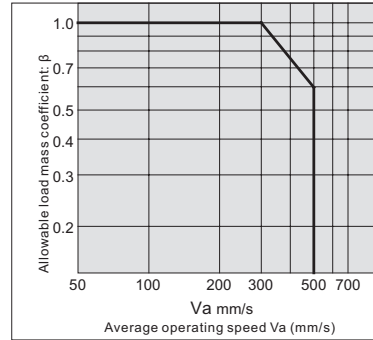
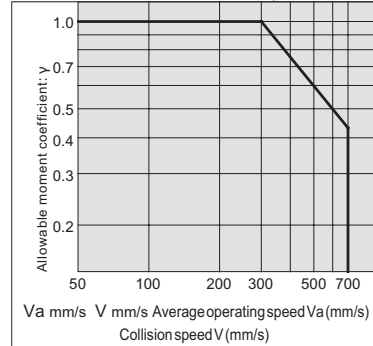


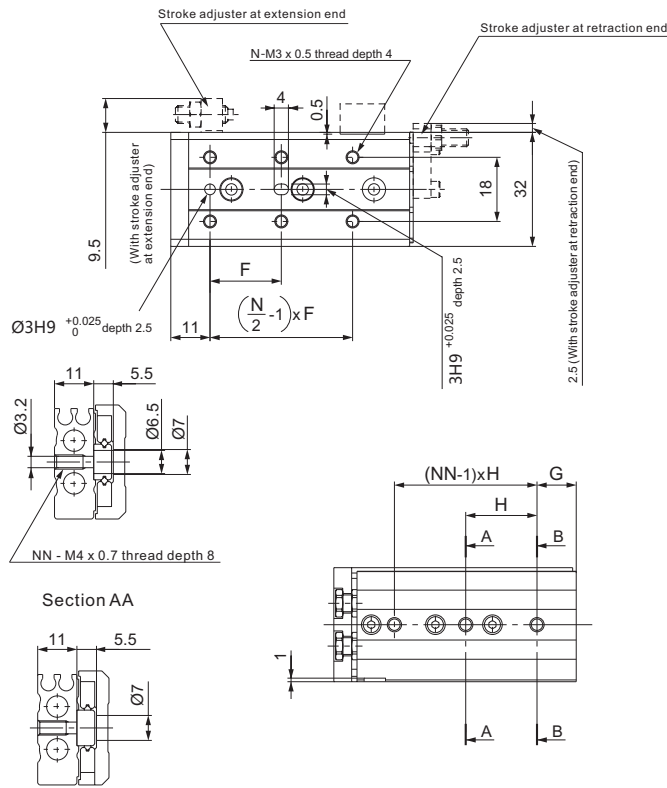
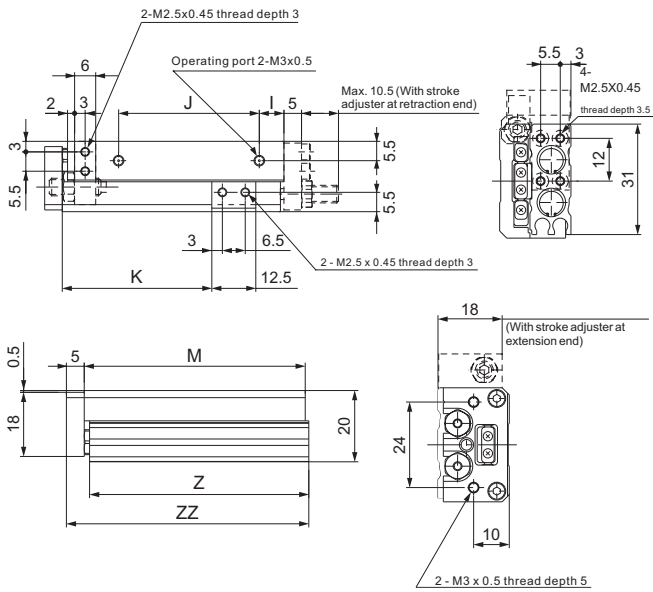
Table (5) Allowable Moment Coefficient: γ



Note) Use the average operating speed when calculating static moment.
Use the collision speed when calculating dynamic moment.

Symbol	Definition	Unit
Va	Average operating speed	mm/s
W	Load mass	kg
Wa	Allowable load mass	kg
We	Mass equivalent to impact	kg
Wmax	Max. allowable load mass	kg
α	Load factor	-
β	Allowable load mass coefficient	-
γ	Allowable moment coefficient	-
δ	Damper coefficient	-
K	Workpiece mounting coefficient	-

GMXS 6 Basic type



Section AA

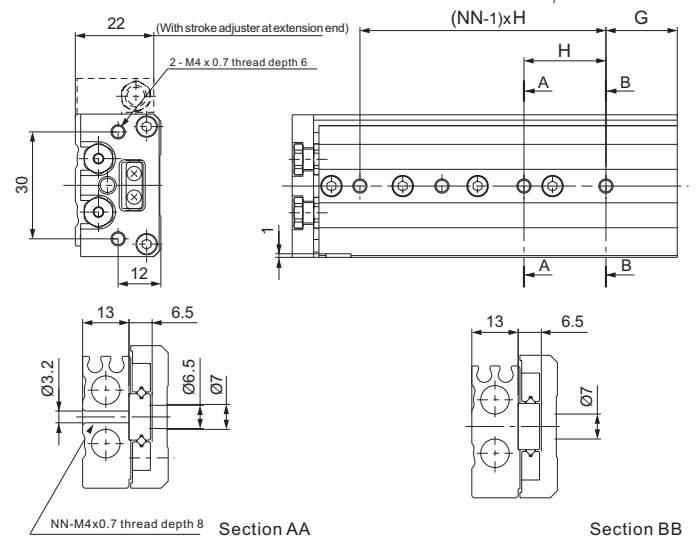
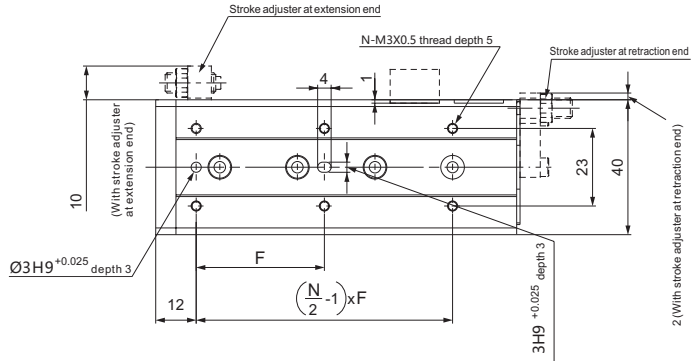
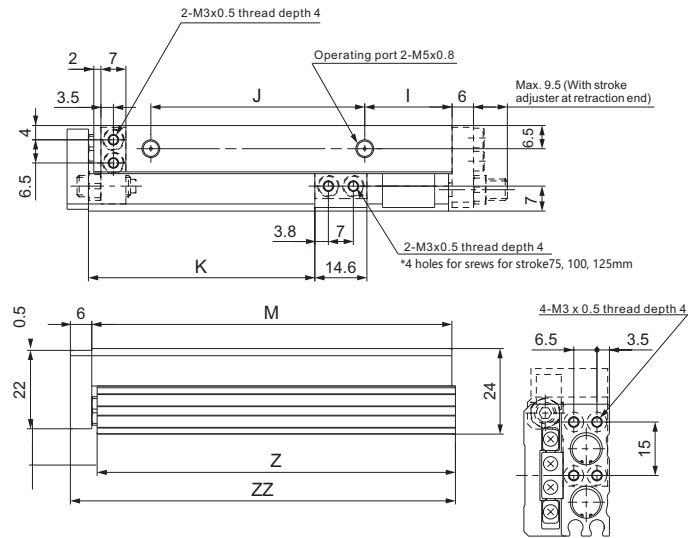
Section BB

Dimensions (mm)

Model	F	N	G	H	NN
GMXS6-10	20	4	6	25	2
GMXS6-20	30	4	6	35	2
GMXS6-30	20	6	11	20	3
GMXS6-40	28	6	13	30	3
GMXS6-50	38	6	17	24	4

Model	I	J	K	M	Z	ZZ
GMXS6-10	10	17	22.5	42	41.5	48
GMXS6-20	10	27	32.5	52	51.5	58
GMXS6-30	7	40	42.5	62	61.5	68
GMXS6-40	19	50	52.5	84	83.5	90
GMXS6-50	25	60	62.5	100	99.5	106

GMXS 8 Basic type



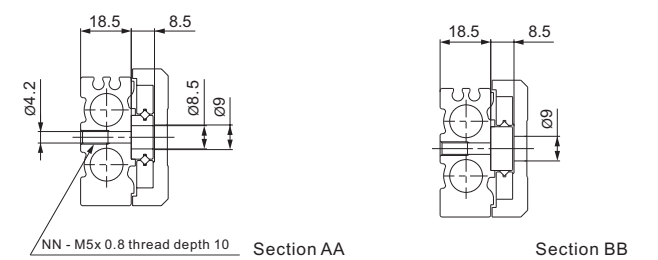
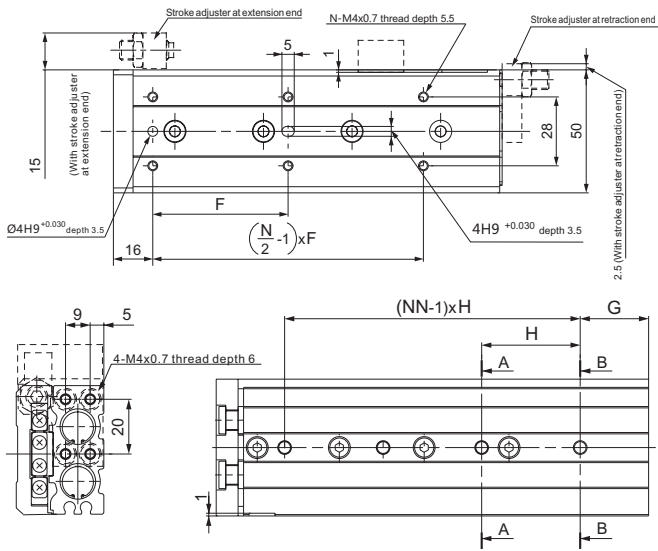
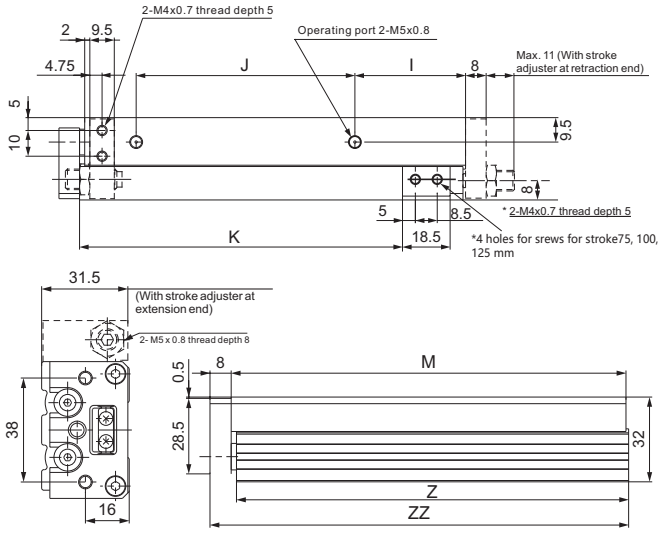
Dimensions (mm)

Model	F	N	G	H	NN
GMXS8-10	25	4	9	28	2
GMXS8-20	25	4	12	30	2
GMXS8-30	40	4	13	20	3
GMXS8-40	50	4	15	28	3
GMXS8-50	38	6	20	23	4
GMXS8-75	50	6	27	28	5

Model	I	J	K	M	Z	ZZ
GMXS8-10	13	19.5	23.5	49	48.5	56
GMXS8-20	8.5	29	33.5	54	53.5	61
GMXS8-30	9.5	39	43.5	65	64.5	72
GMXS8-40	10.5	56	53.5	83	82.5	90
GMXS8-50	24.5	60	63.5	101	100.5	108
GMXS8-75	38.5	96	88.5	151	150.5	158

Air Slide Table GMXS Series

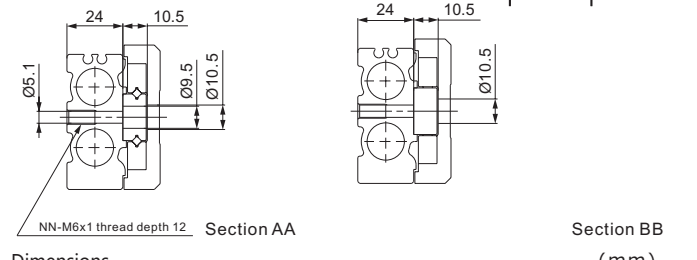
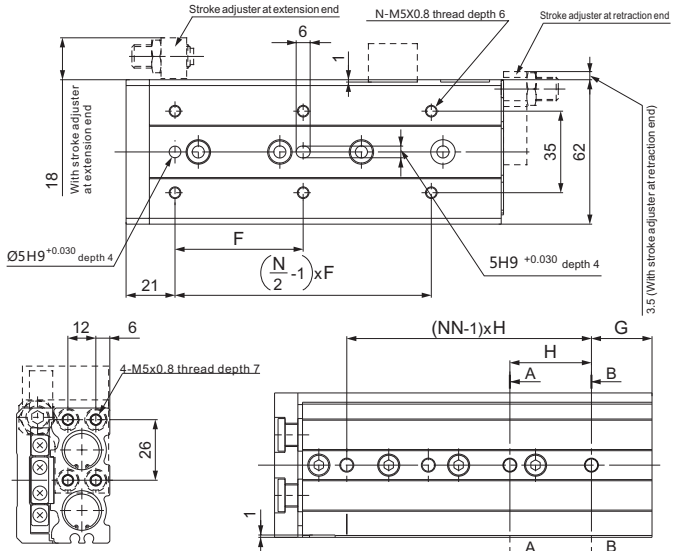
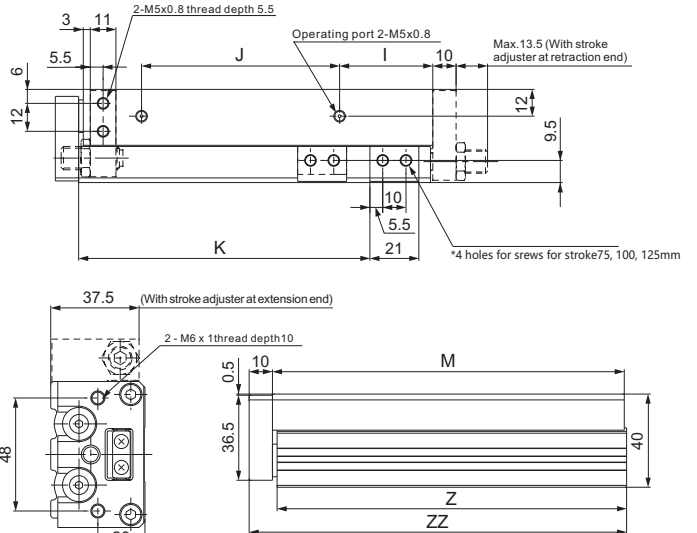
GMXS12 Basic type



Dimensions (mm)					
Model	F	N	G	H	NN
GMXS12-10	35	4	15	40	2
GMXS12-20	35	4	15	40	2
GMXS12-30	35	4	15	40	2
GMXS12-40	50	4	17	25	3
GMXS12-50	35	6	15	36	3
GMXS12-75	55	6	25	36	4
GMXS12-100	65	6	35	38	5

Dimensions (mm)						
Model	I	J	K	M	Z	ZZ
GMXS12-10	10	40	26.5	71	70	80
GMXS12-20	10	40	36.5	71	70	80
GMXS12-30	10	40	46.5	71	70	80
GMXS12-40	10	52	56.5	83	82	92
GMXS12-50	22	60	66.5	103	102	112
GMXS12-75	43	85	91.5	149	148	158
GMXS12-100	52	130	116.5	203	202	212

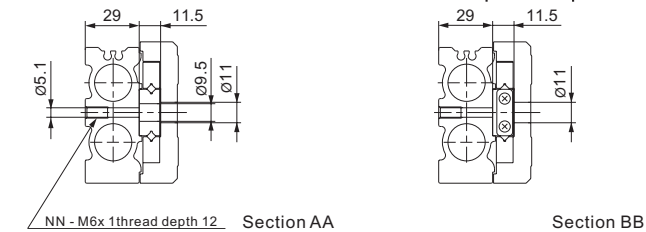
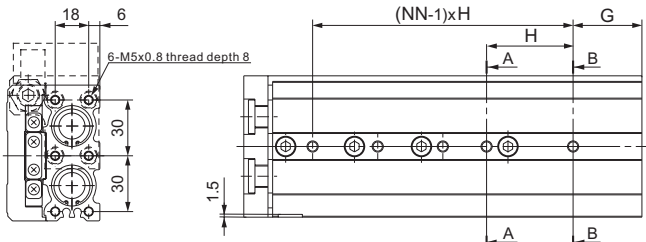
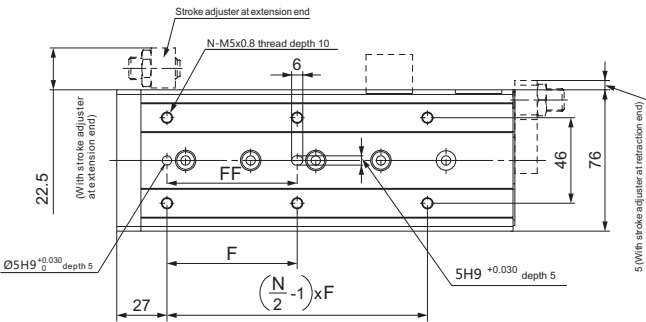
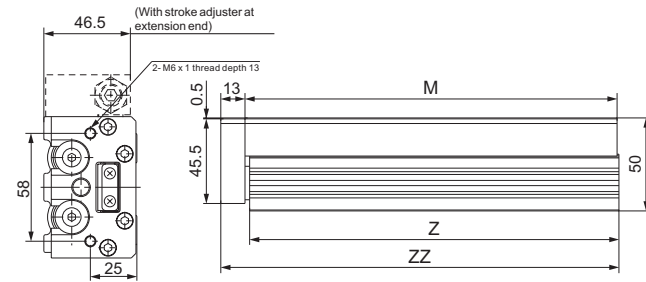
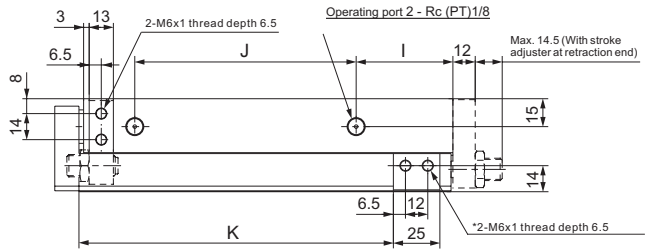
GMXS16 Basic type



Dimensions (mm)					
Model	F	N	G	H	NN
GMXS16-10	35	4	16	40	2
GMXS16-20	35	4	16	40	2
GMXS16-30	35	4	16	40	2
GMXS16-40	40	4	16	50	2
GMXS16-50	30	6	21	30	3
GMXS16-75	55	6	26	35	4
GMXS16-100	65	6	39	35	5
GMXS16-125	70	8	19	35	7

Dimensions (mm)						
Model	I	J	K	M	Z	ZZ
GMXS16-10	10	40	29	76	75	87
GMXS16-20	10	40	39	76	75	87
GMXS16-30	10	40	49	76	75	87
GMXS16-40	10	50	59	86	85	97
GMXS16-50	15	60	69	101	100	112
GMXS16-75	40	85	94	151	150	162
GMXS16-100	55	118	119	199	198	210
GMXS16-125	68	155	144	249	248	260

GMXS20 Basic type

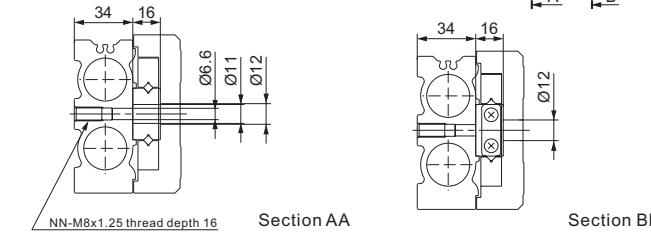
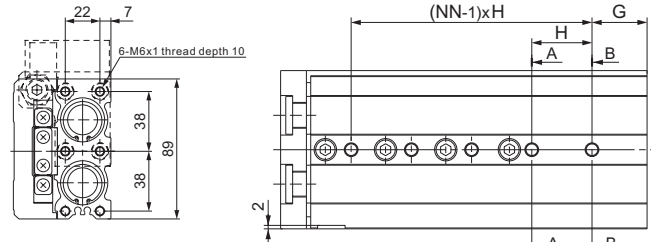
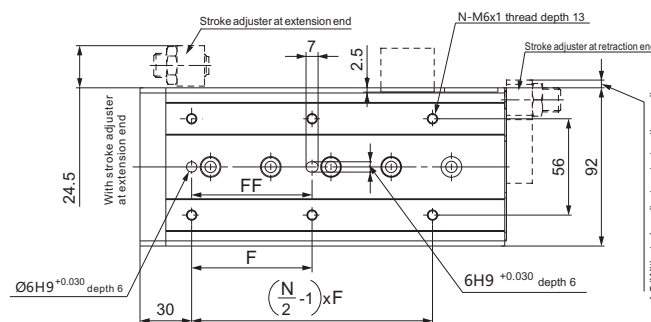
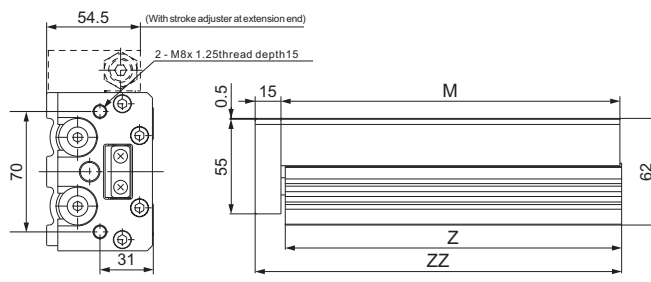
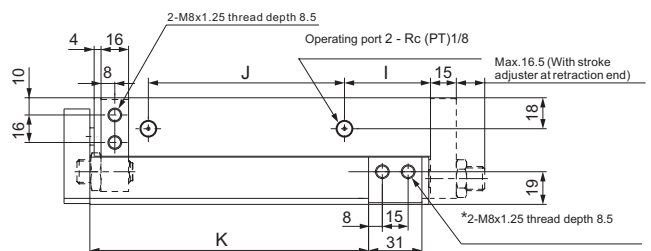


Dimensions (mm)

Model	F	FF	N	G	H	NN
GMXS20-10	50	40	4	15	45	2
GMXS20-20	50	40	4	15	45	2
GMXS20-30	50	40	4	15	45	2
GMXS20-40	60	50	4	15	55	2
GMXS20-50	35	35	6	15	35	3
GMXS20-75	60	60	6	19	35	4
GMXS20-100	70	70	6	37	35	5
GMXS20-125	70	70	8	41	38	6
GMXS20-150	80	80	8	19	44	7

Model	I	J	K	M	Z	ZZ
GMXS20-10	10	44	31	83	81.5	97
GMXS20-20	10	44	41	83	81.5	97
GMXS20-30	10	44	51	83	81.5	97
GMXS20-40	10	54	61	93	91.5	107
GMXS20-50	10	69	71	108	106.5	122
GMXS20-75	10	108	96	147	145.5	161
GMXS20-100	58	113	121	200	198.5	214
GMXS20-125	70	155	146	254	252.5	268
GMXS20-150	87	190	171	306	304.5	320

GMXS25 Basic type



Dimensions (mm)

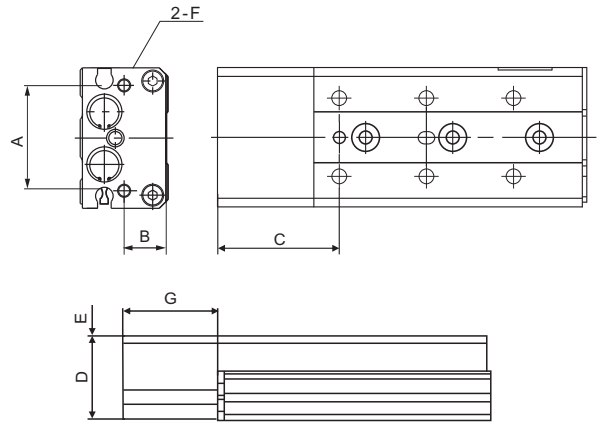
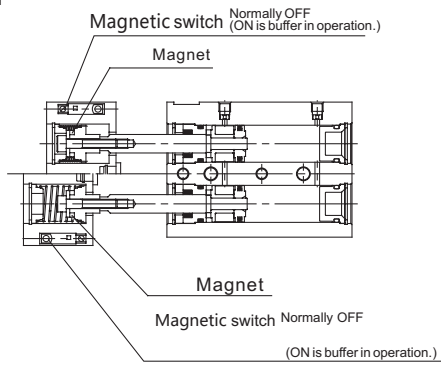
Model	F	FF	N	G	H	NN
GMXS25-10	50	40	4	22	45	2
GMXS25-20	50	40	4	22	45	2
GMXS25-30	50	40	4	22	45	2
GMXS25-40	60	50	4	22	55	2
GMXS25-50	35	35	6	20	35	3
GMXS25-75	60	60	6	26	35	4
GMXS25-100	70	70	6	32	35	5
GMXS25-125	75	75	8	40	38	6
GMXS25-150	80	80	8	30	40	7

Model	I	J	K	M	Z	ZZ
GMXS25-10	12	47	35	92	90.5	108
GMXS25-20	12	47	45	92	90.5	108
GMXS25-30	12	47	55	92	90.5	108
GMXS25-40	12	57	65	102	100.5	118
GMXS25-50	12	70	75	115	113.5	131
GMXS25-75	33	90	100	156	154.5	172
GMXS25-100	50	114	125	197	195.5	213
GMXS25-125	67	155	150	255	253.5	271
GMXS25-150	82	180	175	295	293.5	311

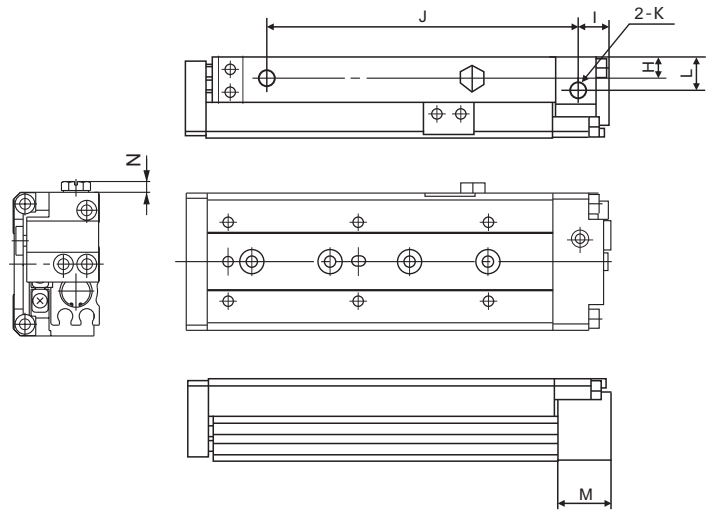
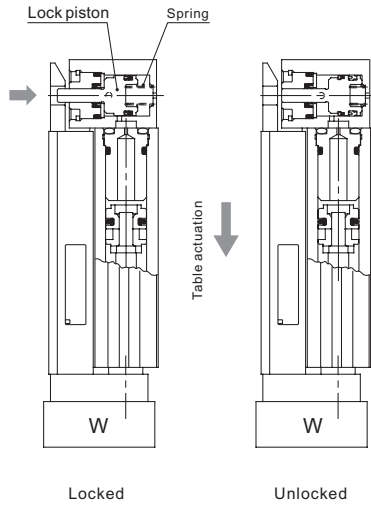
Air Slide Table GMXS Series

Functional option

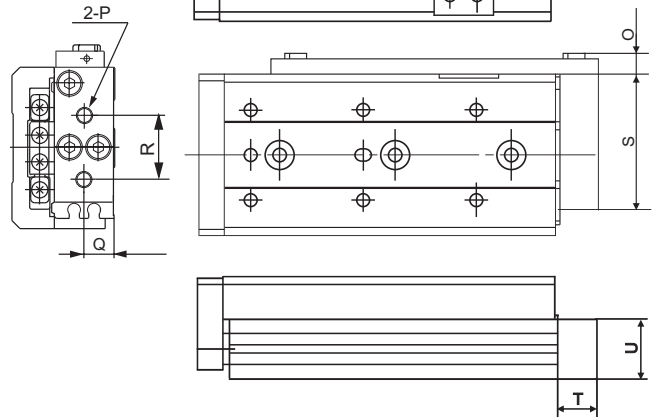
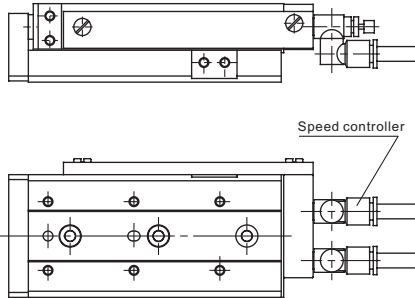
F-With buffer



R-With end lock



P-Axial piping type



Dimensions

(mm)

(Model)	A	B	C	D	E	F	G	H	I	J						K	L	M	N	O	P	Q	R	S	T	U				
										10	20	30	40	50	75												100	125	150	
GMXS6	24	10	28	19	0.5	M3x0.5	22	-	-	-	-	-	-	-	-	-	-	-	5.6	M3x0.5	5.5	12	32	8	11.5					
GMXS8	30	12	28.5	22.5	0.5	M4x0.7	22.5	6.5	9	39	44	55	73	91	141	-	-	-	-	M3x0.5	10	15.5	3	6.5	M5x0.8	6.5	15	40	12	13.5
GMXS12	38	16	37	30	0.5	M5x0.8	29	9.5	10.5	59.5	59.5	59.5	71.5	91.5	137.5	191.5	-	-	-	M5x0.8	14.5	20	3	6.5	M5x0.8	9.5	20	50	12	18.7
GMXS16	48	20	41	37.5	0.5	M6x1	30	12	13	62	62	62	72	87	137	185	235	-	-	M5x0.8	18	25	3	6.5	M5x0.8	12	26	62	12	23.5
GMXS20	58	25	44.5	45.5	0.5	M6x1	30.5	15	15.5	68.5	68.5	68.5	78.5	93.5	132.5	185.5	239.5	239.5	-	Rc1/8	20	30	-	11.5	Rc1/8	15	32	76	20	29.5
GMXS25	70	31	50	55	0.5	M8x1.25	35	18	18	76	76	76	86	99	140	181	239	239	-	Rc1/8	25.5	35	-	11.5	Rc1/8	18	40	92	20	35.5

GMXH Miniature Air Slide Table Linear Guide GMXH Series

NEW

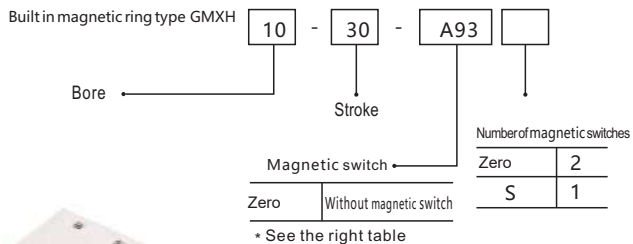


缸径Bore size (mm)	6	10	16	20
Guide bearing width	5	7	9	12
Fluid	Air			
Action	Double acting			
Minimum operating pressure	0.15MPa	0.06MPa	0.05MPa	
Maximum operating pressure	0.7MPa			
Ambient and fluid temperatures	Without magnetic switch: -10 to 70°C With magnetic switch: -10 to 60°C (No freezing)			
Piston speed	50~500mm/s			
Allowable kinetic energy (J)	0.0125	0.025	0.05	0.1
Lubrication	Non-lube			
Cushion	Rubber bumper on both ends			
Stroke length tolerance (mm)	+1.0			
Magnetic switch(Optional)	Reed Magnetic switch D-A9		Solid state Magnetic switch D-M9	
Piping port size	M5 x 0.8			

*Please use turbine No.1 oil ISOVG32 if need.

- *Install linear guide bearing to improve the accuracy of non-rotative of piston rod
- *Standard built-in magnetic ring, can install magnetic switch of stroke testing
- *Can connect to air from three sides
- *Can install magnetic switch from two sides
- *Standard rubber buffer at both ends
- *Allowable torque is 6 times of GMXU series

Model representation methods

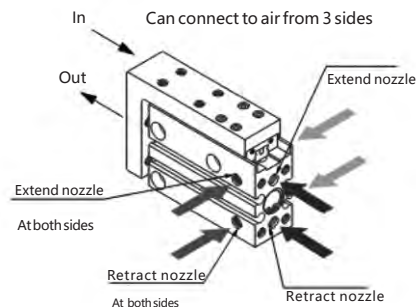


Miniature linear guide bearing improve the accuracy of linear motion of cylinder

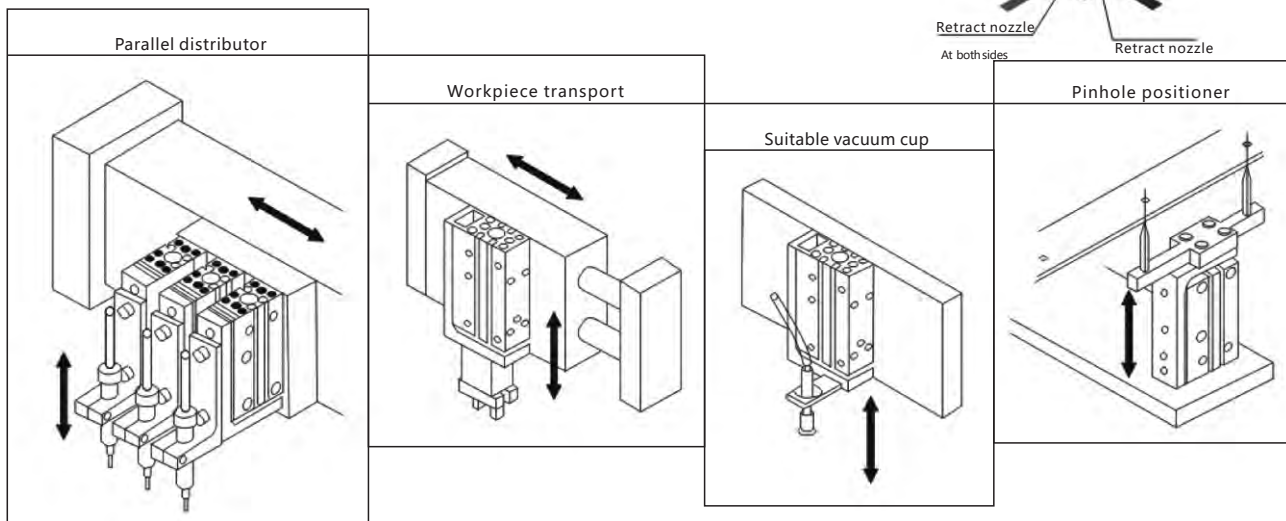
Stroke/magnetic switch selection

(mm)	Standard stroke (mm)	Direct mount type of magnetic switch		
		22-wire		3-wire
6	5, 10, 15, 20, 25, 30, 40, 50, 60			
10		D-M9B	D-M9N	D-M9P
16		D-M9BL	D-M9NL	D-M9PL
20		D-M9BV	D-M9NV	D-M9PV
		D-M9BVL	D-M9NVL	D-M9PVL

Note) The specification and characteristics of magnetic switch can refer to the series of magnetic switch. At the end of the model of magnetic switch, the length mark of conductor is attached: N0mark-0.5m, L-3m, Z-5m
Example: A93L



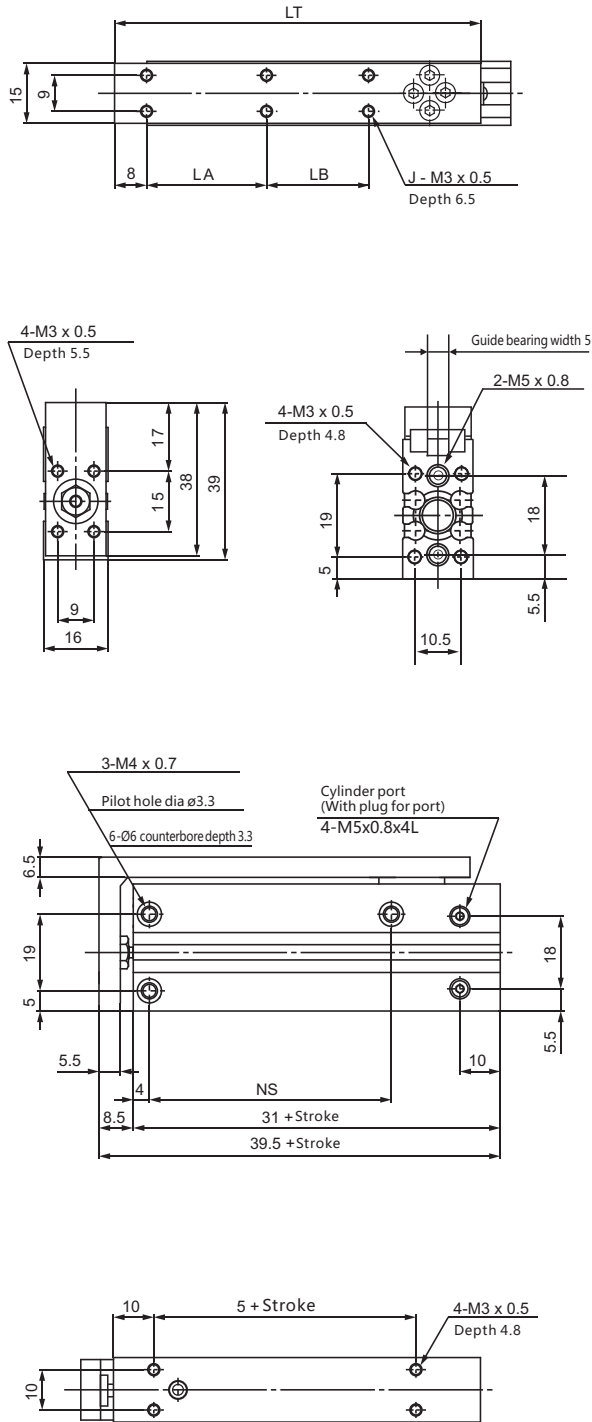
Application



Miniature Air Slide Table Linear Guide GMXH Series

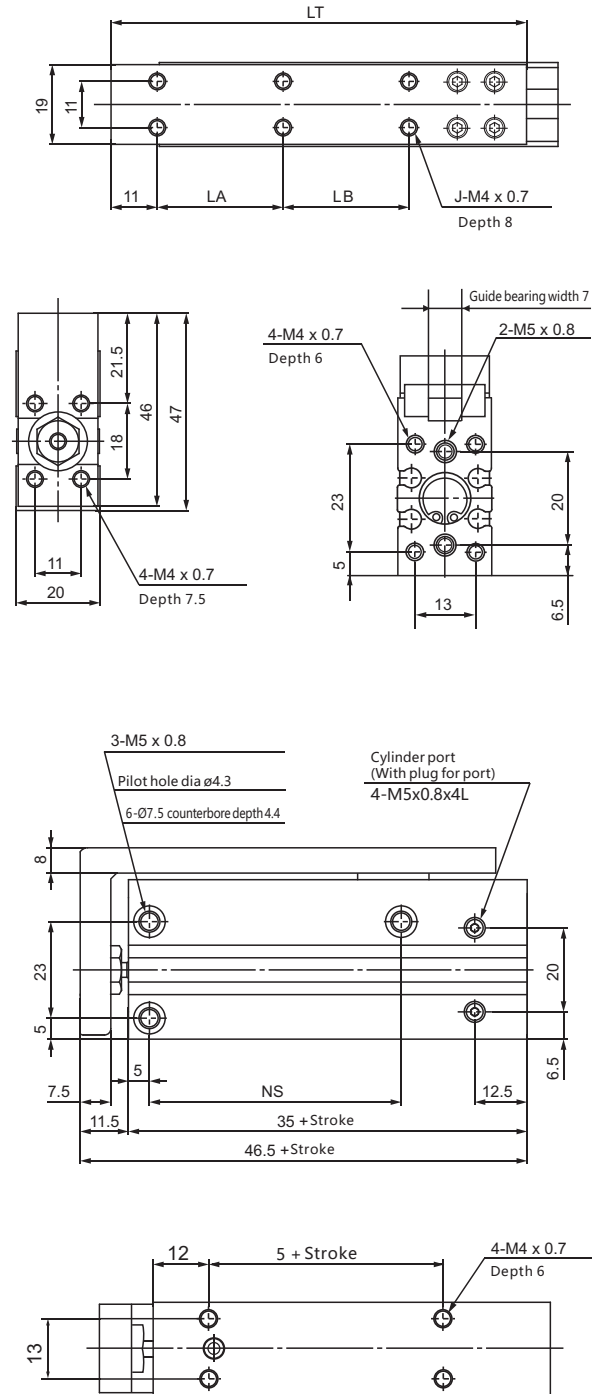
Profile · SUS_Tube
Stents Module
Quick Changer
Grip Module
Air Nipper
Vacuum Module
Accessory Components

GMXH6



Dimensions (mm)						
Model	Stroke	J	LA	LB	LT	NS
GMXH6-5Z	5	4	10	-	42	14
GMXH6-10Z	10	4	10	-	42	14
GMXH6-15Z	15	4	20	-	52	24
GMXH6-20Z	20	4	20	-	52	24
GMXH6-25Z	25	4	30	-	62	30
GMXH6-30Z	30	4	30	-	62	30
GMXH6-40Z	40	6	20	20	72	45
GMXH6-50Z	50	6	25	25	82	55
GMXH6-60Z	60	6	30	30	92	60

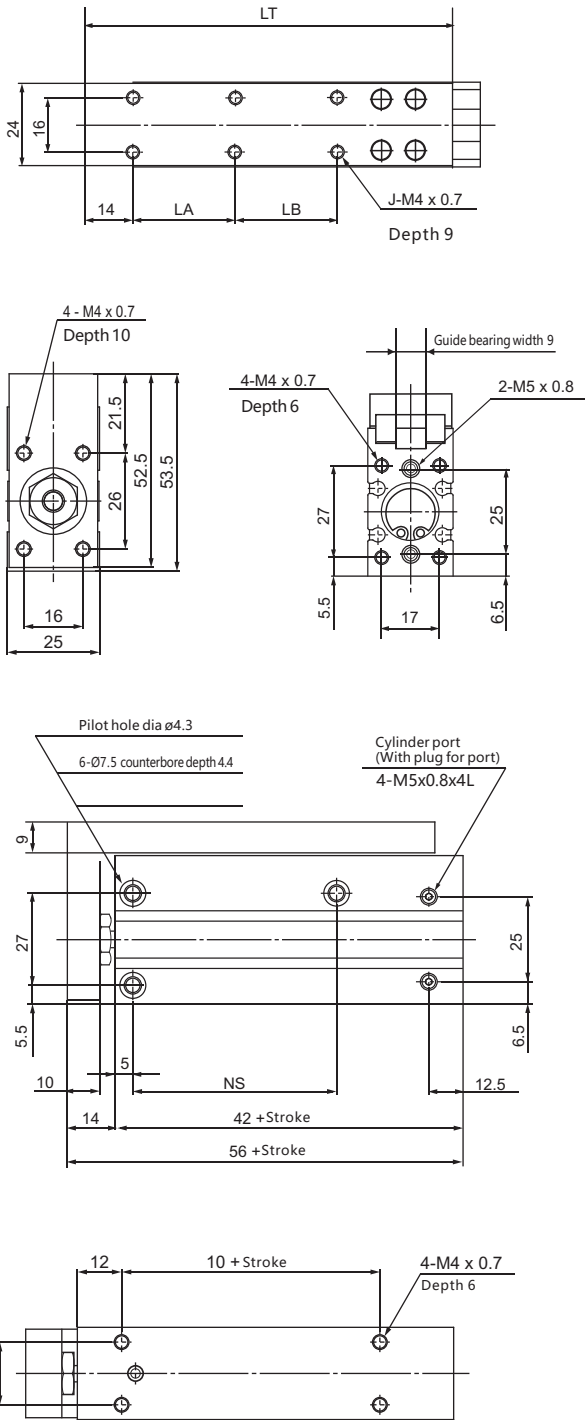
GMXH10



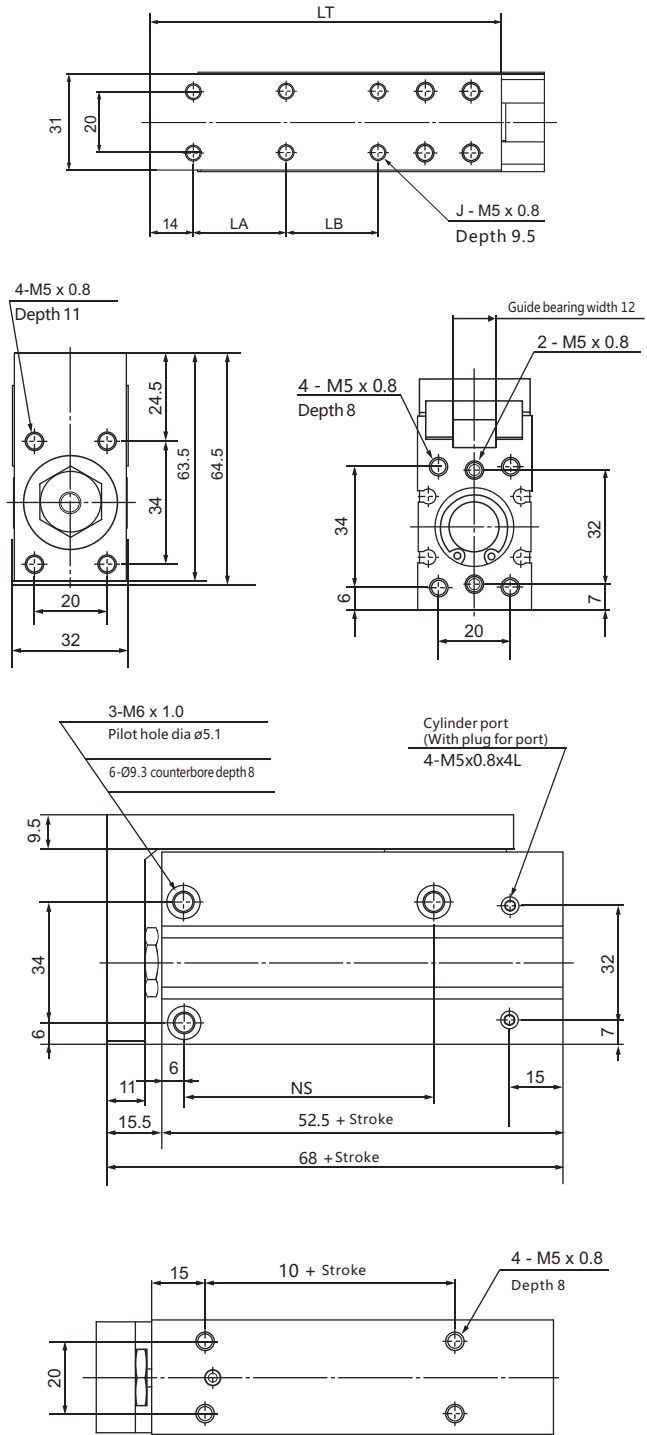
Dimensions (mm)						
Model	Stroke	J	LA	LB	LT	NS
GMXH10-5Z	5	4	10	-	49	14
GMXH10-10Z	10	4	10	-	49	14
GMXH10-15Z	15	4	20	-	59	24
GMXH10-20Z	20	4	20	-	59	24
GMXH10-25Z	25	4	30	-	69	30
GMXH10-30Z	30	4	30	-	69	30
GMXH10-40Z	40	6	20	20	79	45
GMXH10-50Z	50	6	25	25	89	55
GMXH10-60Z	60	6	30	30	99	60

Miniature Air Slide Table Linear Guide GMXH Series

GMXH16



GMXH20



Dimensions (mm)

Model	Stroke	J	LA	LB	LT	NS
GMXH16-5Z	5	4	10	-	58	20
GMXH16-10Z	10	4	10	-	58	20
GMXH16-15Z	15	4	20	-	68	30
GMXH16-20Z	20	4	20	-	68	30
GMXH16-25Z	25	4	30	-	78	40
GMXH16-30Z	30	4	30	-	78	40
GMXH16-40Z	40	6	20	20	88	50
GMXH16-50Z	50	6	25	25	98	60
GMXH16-60Z	60	6	30	30	108	60

Dimensions (mm)

Model	Stroke	J	LA	LB	LT	NS
GMXH20-5Z	5	4	10	-	64	20
GMXH20-10Z	10	4	10	-	64	20
GMXH20-15Z	15	4	20	-	74	25
GMXH20-20Z	20	4	20	-	74	25
GMXH20-25Z	25	4	30	-	84	40
GMXH20-30Z	30	4	30	-	84	40
GMXH20-40Z	40	6	20	20	94	50
GMXH20-50Z	50	6	25	25	104	70
GMXH20-60Z	60	6	30	30	114	70

Profile · SUS Tube

Stents Module

Quick Changer

Grip Module

Air Nipper

Vacuum Module

Accessory Components

Sprue Gripper

Main body being made of high-strength Aluminium, light weight, strong rigidity and long life cycle. Using threaded components or CRG's components when to assemble.

Series GR-Sprue Gripper (Without Sensor)



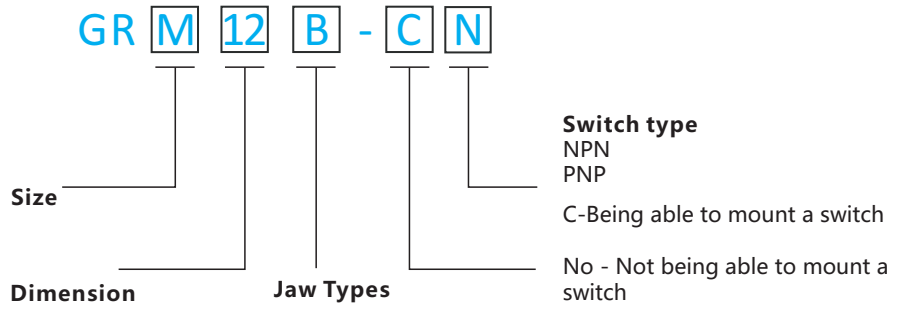
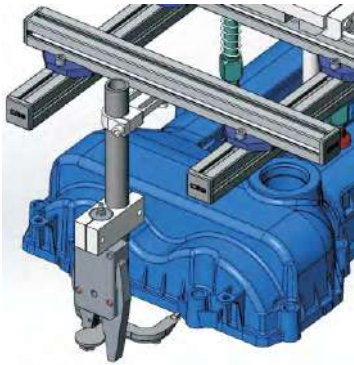
Series GR -Sprue Gripper (With Sensor)



PN	Model	Switch type	F	Weight
8.Y00214	GRS08	-	5N	18g
8.Y00099	GRS08-C	-	5N	24g
8.Y00011	GRS08-CN	NPN	5N	40g
8.Y00012	GRS08-CP	PNP	5N	40g
8.Y00103	GRM12A	-	28N	46g
8.Y00092	GRM12A-C	-	28N	45g
8.Y00009	GRM12A-CN	NPN	28N	60g
8.Y00010	GRM12A-CP	PNP	28N	60g
8.Y00107	GRM12B	-	28N	46g
8.Y00106	GRM12B-C	-	28N	45g
8.Y00104	GRM12B-CN	NPN	28N	60g
8.Y00105	GRM12B-CP	PNP	28N	60g
8.Y00108	GRL12A	-	45N	94g
8.Y00100	GRL12A-C	-	45N	84g
8.Y00001	GRL12A-CN	NPN	45N	100g
8.Y00002	GRL12A-CP	PNP	45N	100g
8.Y00213	GRX20	-	80N	180g
8.Y00215	GRX20-C	-	80N	177g
8.Y00013	GRX20-CN	NPN	80N	192g
8.Y00014	GRX20-CP	PNP	80N	192g

Sprue Gripper

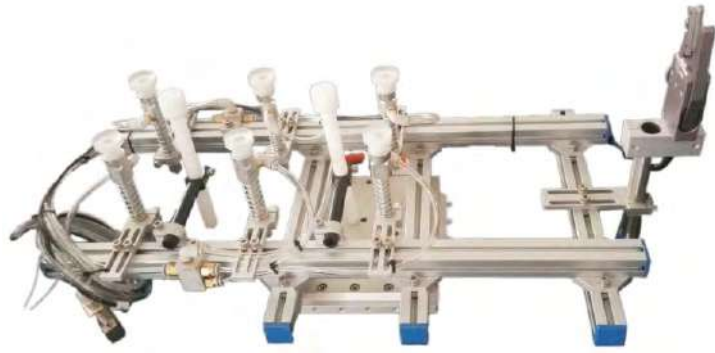
Application example



Installation method



Application example 1



Application example 2

Accessories selection



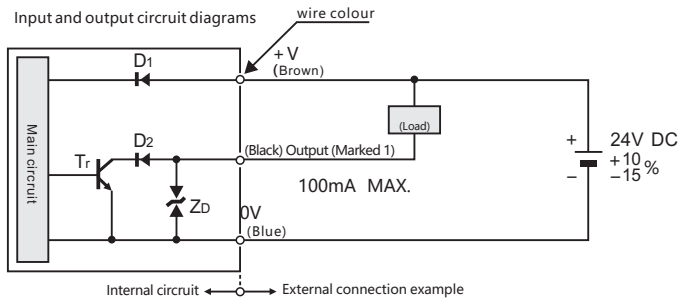
- 1.PNP
- 2.NPN

PN	Model
7.Y00800	PNP
7.Y00801	NPN

Note: The length is 1 meters

Switch wiring instructions

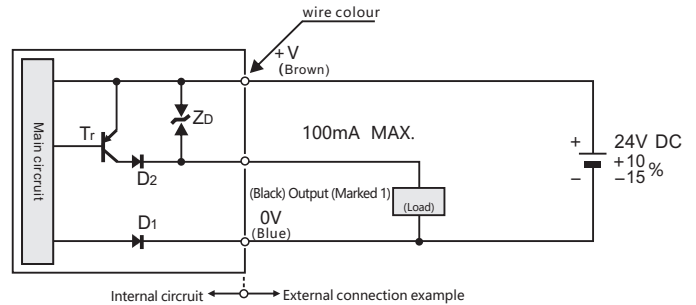
NPN output type



(Marked 1) Output is not equipped with short-circuit protection circuit. Do not connect directly to power or capacitive loads

PNP output type

Input and output circuit diagrams



(Marked 1) Output is not equipped with short-circuit protection circuit. Do not connect directly to power or capacitive loads

Sprue Gripper GRS08 Series

Profile · SUS Tube

Stents Module

Quick Changer

Grip Module

Air Nipper

Vacuum Module

Accessory Components



GRS08
(Without Sensor)



GRS08-CN(CP)
(With Sensor)

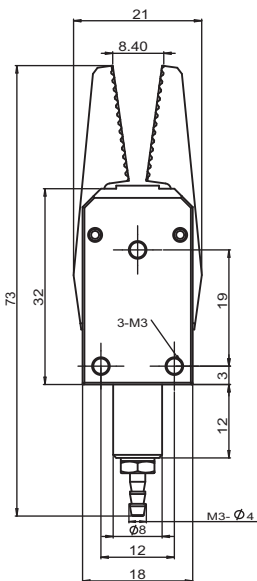
Product Description

GRS08

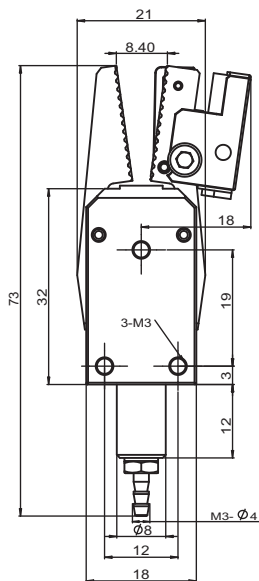
Series GRS08

Main body being made of high-strength Aluminium, light weight, strong rigidity and long life cycle. Using threaded components or CRG's components when to assemble.

PN	Model	(Sensor)	F	Weight
8.Y00214	GRS08	-	5N	18g
8.Y00099	GRS08-C	-	5N	24g
8.Y00011	GRS08-CN	NPN	5N	40g
8.Y00012	GRS08-CP	PNP	5N	40g



(Without Sensor)



(With Sensor)



Sprue Gripper GRM12 Series



GRM12A
(Without Sensor)



GRM12A-CN(CP)
(With Sensor)

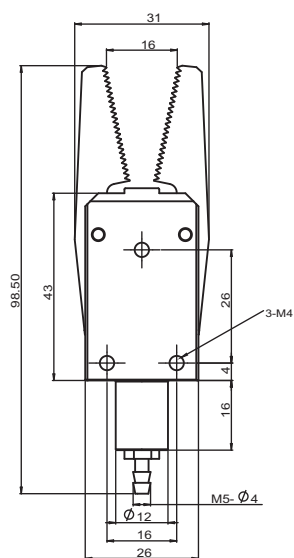
Product Description

GRM12

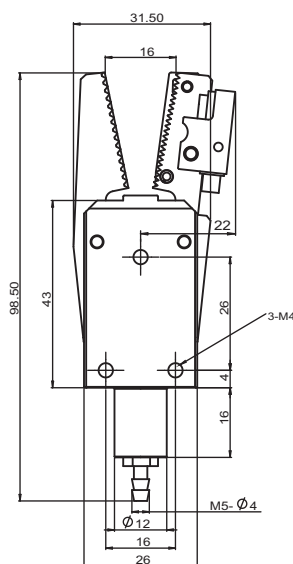
Series GRM12

Main body being made of high-strength Aluminium, light weight, strong rigidity and long life cycle. Using threaded components or CRG's components when to assemble.

PN	Model	Sensor	F	Weight
8.Y00103	GRM12A	-	28N	46g
8.Y00107	GRM12B	-	28N	46g
8.Y00092	GRM12A-C	-	28N	45g
8.Y00009	GRM12A-CN	NPN	28N	60g
8.Y00010	GRM12A-CP	PNP	28N	60g
8.Y00106	GRM12B-C	-	28N	45g
8.Y00104	GRM12B-CN	NPN	28N	60g
8.Y00105	GRM12B-CP	PNP	28N	60g



(Without Sensor)



(With Sensor)

Profile - SUS Tube

Stents Module

Quick Changer

Grip Module

Air Nipper

Vacuum Module

Accessory Components

Sprue Gripper GRL12 Series

Profile · SUS Tube

Stents Module

Quick Changer

Grip Module

Air Nipper

Vacuum Module

Accessory Components



GRL12A
(Without Sensor)



GRL12A-CN(CP)
(With Sensor)

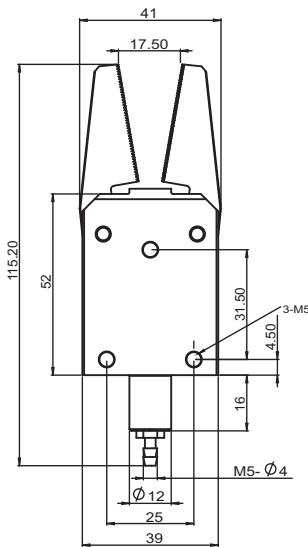
Product Description

GRL12

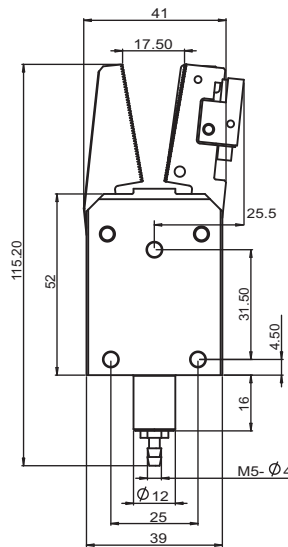
Series GRL12

Main body being made of high-strength Aluminium , light weight , strong rigidity and long life cycle. Using threaded components or CRG's components when to assemble.

PN	Model	Sensor	F	Weight
8.Y00108	GRL12A	-	45N	94g
8.Y00100	GRL12A-C	-	45N	84g
8.Y00001	GRL12A-CN	NPN	45N	100g
8.Y00002	GRL12A-CP	PNP	45N	100g



(Without Sensor)



(With Sensor)



Sprue Gripper GRX20 Series



GRX20
(Without Sensor)



GRX20-CN(CP)
(With Sensor)

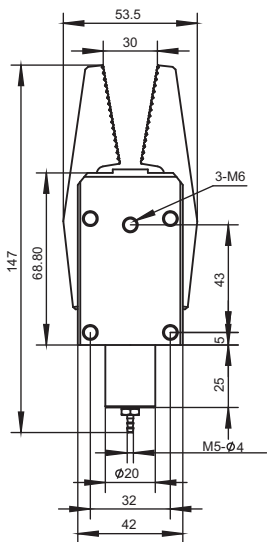
Product Description

GRX20

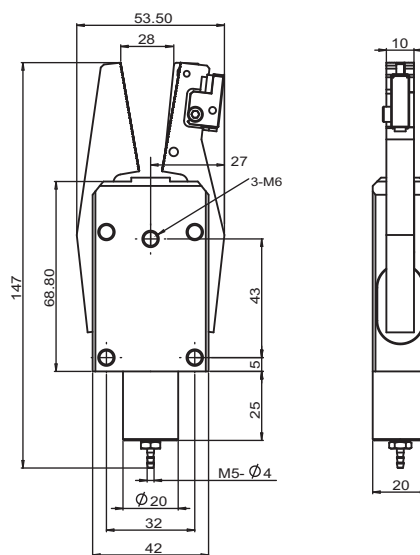
Series GRX20

Main body being made of high-strength Aluminium, light weight, strong rigidity and long life cycle. Using threaded components or CRG's components when to assemble.

PN	Model	Sensor	F	Weight
8.Y00213	GRX20	-	80N	180g
8.Y00215	GRX20-C	-	80N	177g
8.Y00013	GRX20-CN	NPN	80N	192g
8.Y00014	GRX20-CP	PNP	80N	192g



Without Sensor



With Sensor

Profile - SUS Tube

Stents Module

Quick Changer

Grip Module

Air Nipper

Vacuum Module

Accessory Components

Sprue Gripper GR12 Series

Profile · SUS Tube

Stents Module

Quick Changer

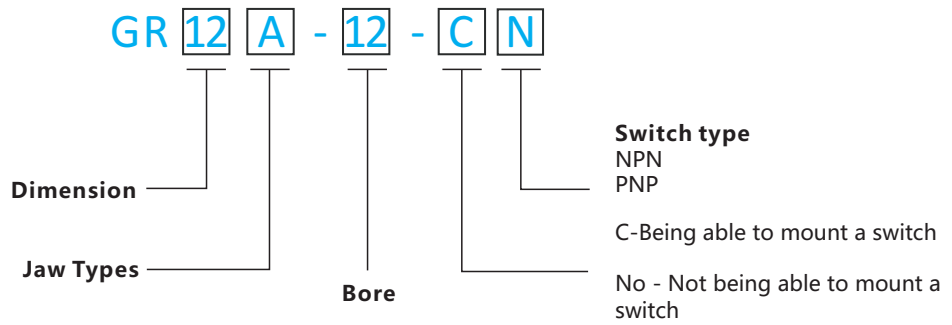
Grip Module

Air Nipper

Vacuum Module

Accessory Components

Model representation methods



Main body being made of high-strength Aluminium, light weight, strong rigidity and long life cycle. Using threaded components or CRG's components when to assemble.



GR10A-12
 GR12A-12
 (Without Sensor)



GR12B-12
 (Without Sensor)



GR12L-12
 (Without Sensor)



GR10A-12-CP
 GR12A-12-CN(CP)
 (With Sensor)



GR12B-12-CN(CP)
 (With Sensor)

Accessories selection



1.PNP
 2.NPN

PN	Model
1.Y07261	GX-F8A-P (PNP)
1.Y07405	GX-F8A (NPN)

Note: The length is 1 meters

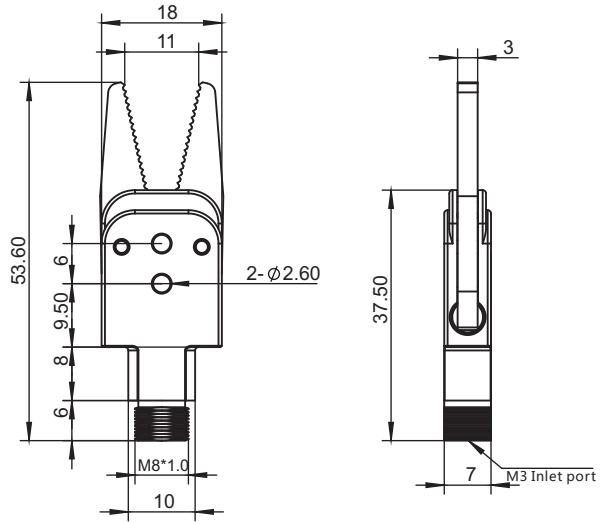
PN	Model	Sensor	F	Weight
8.Y00348	GR05A-10	-	12N	9.6g
8.Y00268	GR10A-12	-	28N	44g
8.Y00267	GR10A-12-CP	PNP	28N	70g
8.Y00370	GR10D-12	-	28N	42g
8.Y00369	GR10D-12-CP	PNP	28N	61g
8.Y00048	GR12A-12	-	28N	44g
8.Y00098	GR12A-12-C	-	28N	44g
8.Y00050	GR12A-12-CP	PNP	28N	70g
8.Y00091	GR12A-12-CN	NPN	28N	70g
8.Y00245	GR12B-12	-	28N	44g
8.Y00260	GR12B-12-C	-	28N	44g
8.Y00261	GR12B-12-CP	PNP	28N	70g
8.Y00262	GR12B-12-CN	NPN	28N	70g
8.Y00307	GR10L-12	-	28N	50g
8.Y00308	GR12L-12	-	28N	50g

Sprue Gripper GR05 Series

NEW



GR05A-10
(Without Sensor)



PN	Model	Sensor	F	Weight
8.Y00348	GR05A-10	-	12N	9.6g

Profile / SUS Tube

Stents Module

Quick Changer

Grip Module

Air Nipper

Vacuum Module

Accessory Components

Sprue Gripper GR10 Series

Profile · SUS Tube

Stents Module

Quick Changer

Grip Module

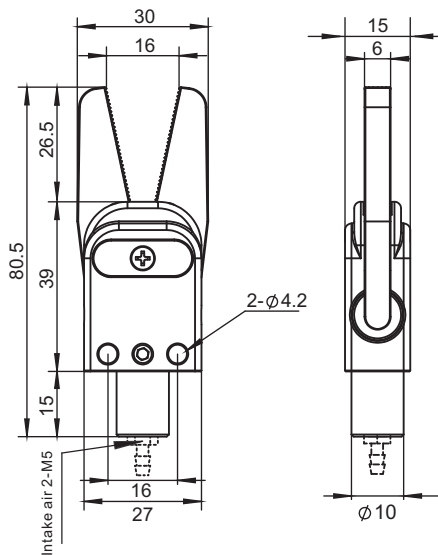
Air Nipper

Vacuum Module

Accessory Components

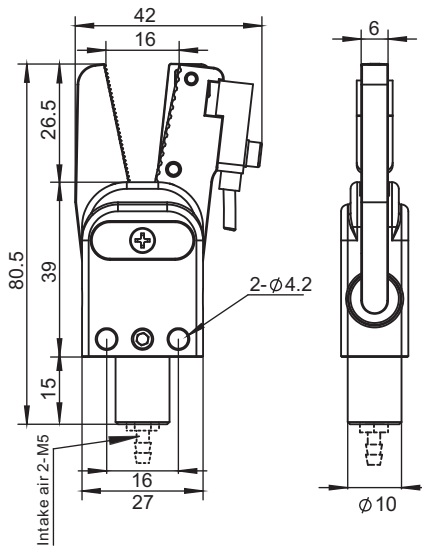


GR10A-12
(Without Sensor)



GR10A-12-CN(CP)
(With Sensor)

GX-F8A-P (PNP)
GX-F8A (NPN)



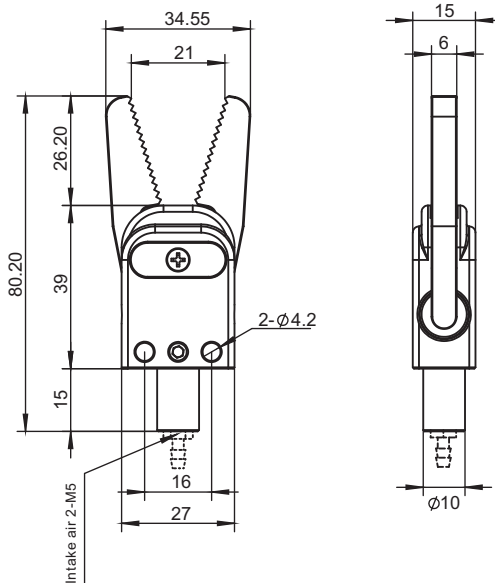
PN	Model	Sensor	F	Weight
8.Y00268	GR10A-12	-	28N	44g
8.Y00267	GR10A-12-CP	PNP	28N	70g

Sprue Gripper GR10 Series

NEW



GR10D-12
(Without Sensor)

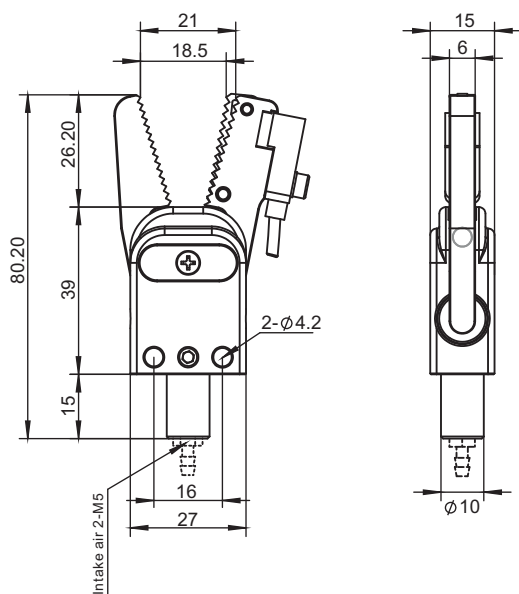


NEW



GR10D-12-CP
(With Sensor)

GX-F8A-P (PNP)



PN	Model	Sensor	F	Weight
8.Y00370	GR10D-12	-	28N	42g
8.Y00369	GR10D-12-CP	PNP	28N	61g

- Profile - SUS Tube
- Stents Module
- Quick Changer
- Grip Module
- Air Nipper
- Vacuum Module
- Accessory Components

Sprue Gripper GR12 Series

Profile - SUS Tube

Stents Module

Quick Changer

Grip Module

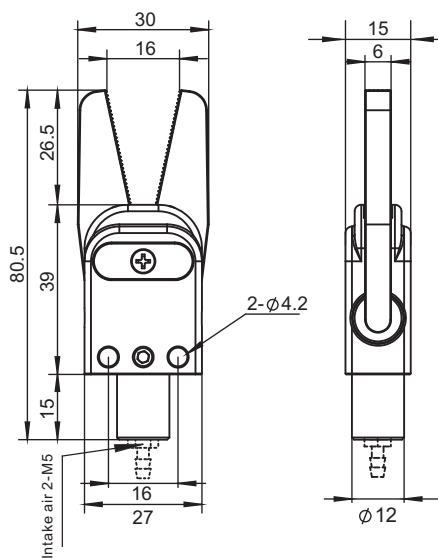
Air Nipper

Vacuum Module

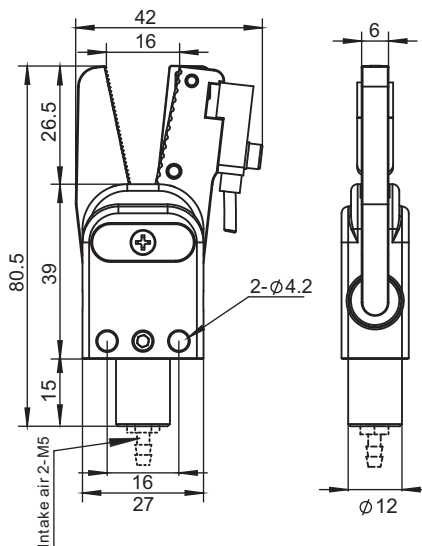
Accessory Components



GR12A-12
(Without Sensor)



GR12A-12-CN(CP)
(With Sensor)

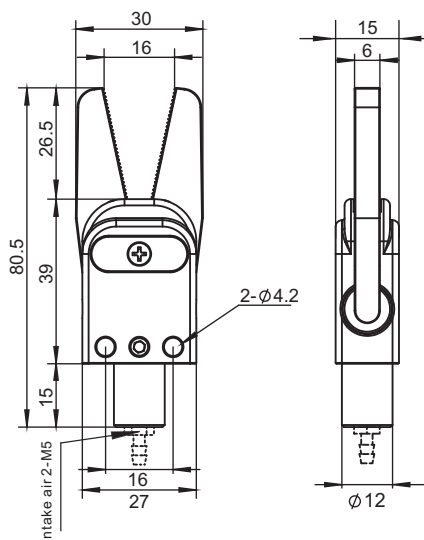


PN	Model	Sensor	F	Weight
8.Y00048	GR12A-12	-	28N	44g
8.Y00098	GR12A-12-C	-	28N	44g
8.Y00050	GR12A-12-CP	PNP	28N	70g
8.Y00091	GR12A-12-CN	NPN	28N	70g

Sprue Gripper GR12 Series

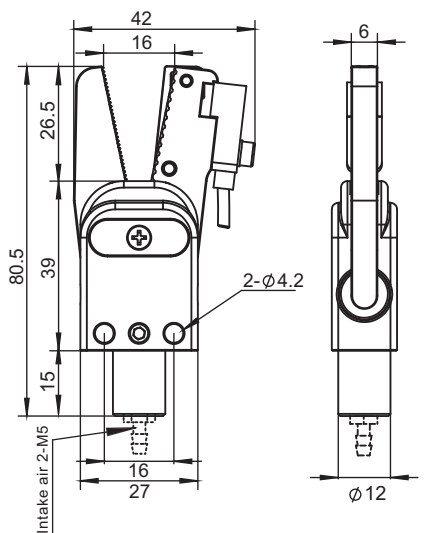


GR12B-12
(Without Sensor)



GR12B-12-CN(CP)
(With Sensor)

GX-F8A-P (PNP)
GX-F8A (NPN)



PN	Model	Sensor	F	Weight
8.Y00245	GR12B-12	-	28N	44g
8.Y00260	GR12B-12-C	-	28N	44g
8.Y00261	GR12B-12-CP	PNP	28N	70g
8.Y00262	GR12B-12-CN	NPN	28N	70g

Profile · SUS Tube

Stents Module

Quick Changer

Grip Module

Air Nipper

Vacuum Module

Accessory Components

Sprue Gripper GR12 Series

Profile / SUS Tube

Stents Module

Quick Changer

Grip Module

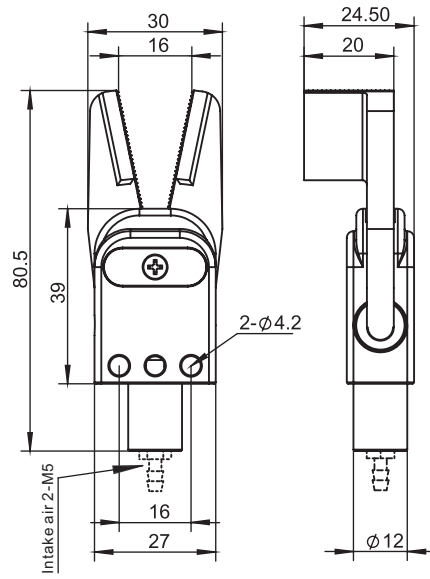
Air Nipper

Vacuum Module

Accessory Components



GR12L-12
(Without Sensor)



PN	Model	Sensor	F	Weight
8.Y00307	GR10L-12	-	28N	50g
8.Y00308	GR12L-12	-	28N	50g

Sprue Gripper GR20 Series

1. Main body being made of high-strength Aluminium , light weight , strong rigidity and long life cycle.
2. Using threaded components or CRG's components when to assemble.
3. GR series of sprue gripper can choose different types of jaws to satisfy the clamping of various sprue gate.



GR20A-20
(Without Sensor)



GR20B-20
(Without Sensor)



GR20C-20
(Without Sensor)



GR20E-20
(Without Sensor)



GR20A-20-CN(CP)
(With Sensor)



GR20B-20-CN(CP)
(With Sensor)



GR20D-20
(Without Sensor)



GR20F-20
(Without Sensor)

PN	Model	Sensor	F	Weight
8.Y00224	GR20A-20	-	80N	112g
8.Y00049	GR20A-20-C	-	80N	118g
8.Y00226	GR20A-20-CP	PNP	80N	137g
8.Y00051	GR20A-20-CN	NPN	80N	137g
8.Y00234	GR20B-20	-	80N	112g
8.Y00231	GR20B-20-C	-	80N	118g
8.Y00232	GR20B-20-CP	PNP	80N	137g
8.Y00233	GR20B-20-CN	NPN	80N	137g
8.Y00342	GR20C-20	-	80N	140g
8.Y00343	GR20D-20	-	80N	149g
8.Y00344	GR20E-20	-	80N	129g
8.Y00345	GR20F-20	-	80N	128g

Profile - SUS Tube

Stents Module

Quick Changer

Grip Module

Air Nipper

Vacuum Module

Accessory Components

Sprue Gripper GR20 Series

Profile - SUS Tube

Stents Module

Quick Changer

Grip Module

Air Nipper

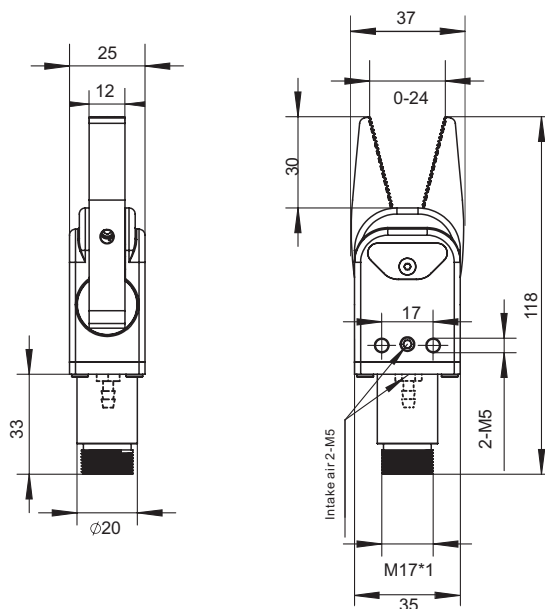
Vacuum Module

Accessory Components



The four screws on the bottom are loose for ventilate conveniently when they leaving the factory

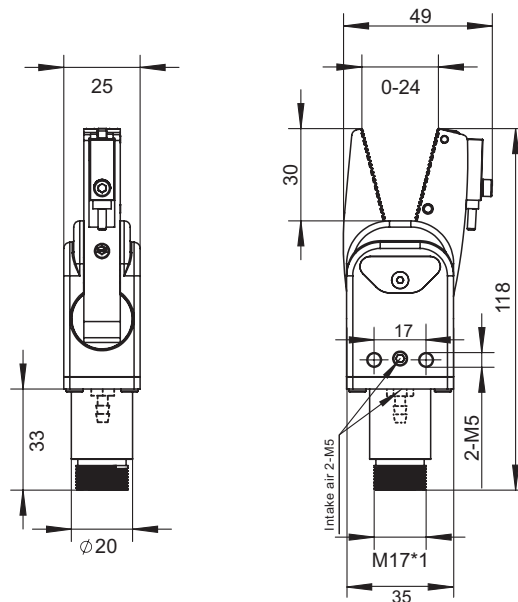
GR20A-20
(Without Sensor)



GX-F8A-P (PNP)
GX-F8A (NPN)

The four screws on the bottom are loose for ventilate conveniently when they leaving the factory

GR20A-20-CN(CP)
(With Sensor)



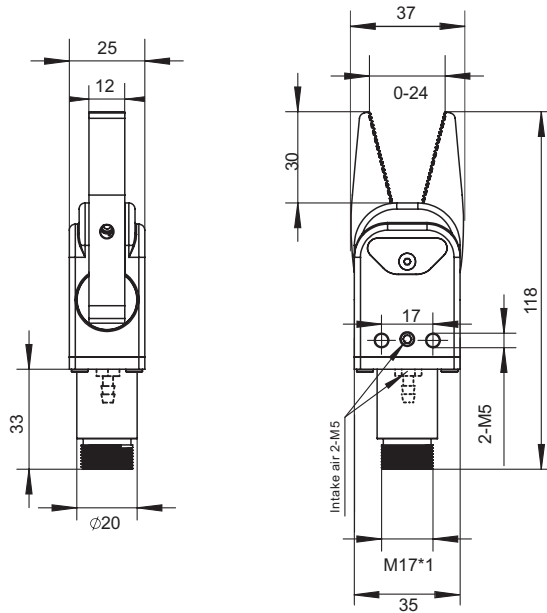
PN	Model	Sensor	F	Weight
8.Y00224	GR20A-20	-	80N	112g
8.Y00049	GR20A-20-C	-	80N	118g
8.Y00226	GR20A-20-CP	PNP	80N	137g
8.Y00051	GR20A-20-CN	NPN	80N	137g

Sprue Gripper GR20 Series



The four screws on the bottom are loose for ventilate conveniently when they leaving the factory

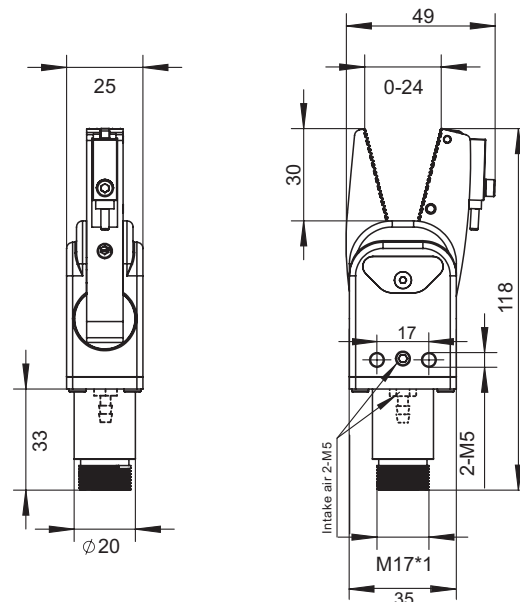
GR20B-20
(Without Sensor)



GX-F8A-P (PNP)
GX-F8A (NPN)

The four screws on the bottom are loose for ventilate conveniently when they leaving the factory

GR20B-20-CN(CP)
(With Sensor)



PN	Model	Sensor	F	Weight
8.Y00234	GR20B-20	-	80N	112g
8.Y00231	GR20B-20-C	-	80N	118g
8.Y00232	GR20B-20-CP	PNP	80N	137g
8.Y00233	GR20B-20-CN	NPN	80N	137g

Profile · SUS Tube

Stents Module

Quick Changer

Grip Module

Air Nipper

Vacuum Module

Accessory Components

Sprue Gripper GR20 Series

Profile - SUS Tube

Stents Module

Quick Changer

Grip Module

Air Nipper

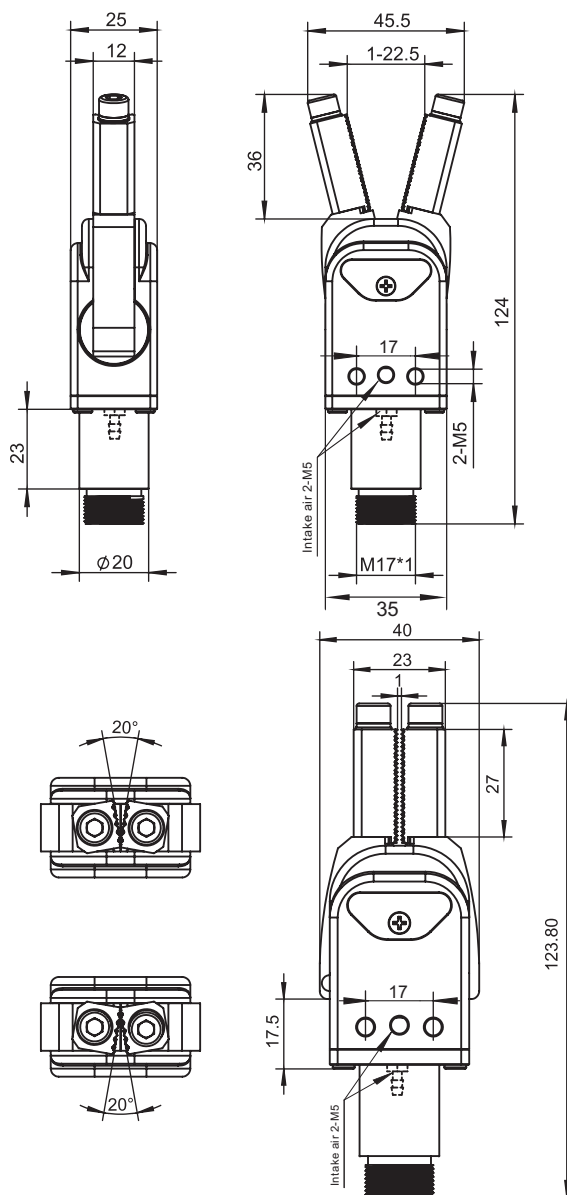
Vacuum Module

Accessory Components



The four screws on the bottom are loose for ventilate conveniently when they leaving the factory

GR20C-20
(Without Sensor)



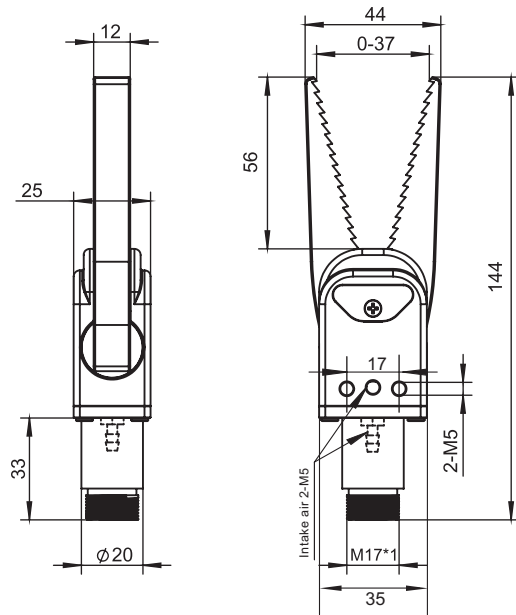
PN	Model	Sensor	F	Weight
8.Y00342	GR20C-20	-	80N	140g

Sprue Gripper GR20 Series



The four screws on the bottom are loose for ventilate conveniently when they leaving the factory

GR20D-20
Without Sensor

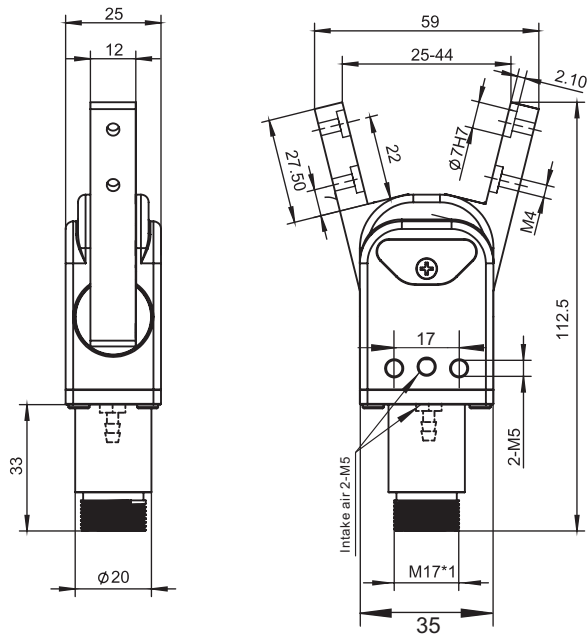


PN	Model	Sensor	F	Weight
8.Y00343	GR20D-20	-	80N	149g



The four screws on the bottom are loose for ventilate conveniently when they leaving the factory

GR20E-20
(Without Sensor)



PN	Model	Sensor	F	Weight
8.Y00344	GR20E-20	-	80N	129g

Profile - SUS Tube
Stents Module
Quick Changer
Grip Module
Air Nipper
Vacuum Module
Accessory Components

Sprue Gripper GR20 Series

Profile · SUS Tube

Stents Module

Quick Changer

Grip Module

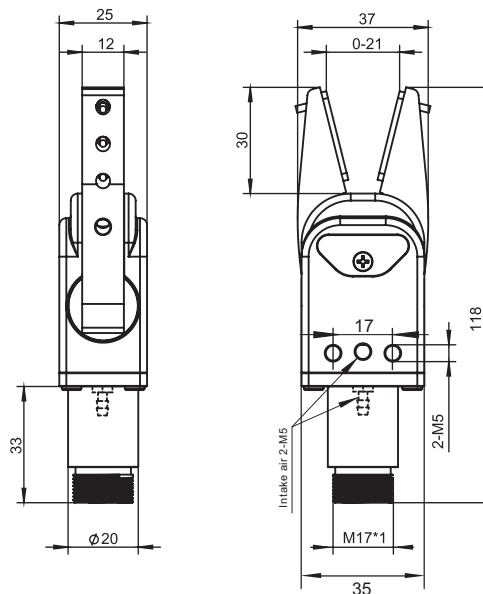
Air Nipper

Vacuum Module

Accessory Components



GR20F-20
(Without Sensor)



PN	Model	Sensor	F	Weight
8.Y00345	GR20F-20	-	80N	128g

Sprue Gripper GRT20 Series

1. Main body being made of high-strength Aluminium , light weight , strong rigidity and long life cycle.
2. Using threaded components or CRG's components when to assemble.
3. GR series of sprue gripper can choose different types of jaws to satisfy the clamping of various sprue gate.



GRT20A
(Without Sensor)



GRT20B
(Without Sensor)



GRT20C
(Without Sensor)



GRT20E
(Without Sensor)



GRT20A-CN(CP)
(With Sensor)



GRT20B-CN(CP)
(With Sensor)



GRT20D
(Without Sensor)



GRT20E-CN(CP)
(With Sensor)

PN	Model	Switch type	F	Weight
8.Y00257	GRT20A	-	100N	111g
8.Y00258	GRT20A-CN	NPN	100N	130g
8.Y00259	GRT20A-CP	PNP	100N	130g
8.Y00279	GRT20B	-	100N	155g
8.Y00281	GRT20B-CN	NPN	100N	153g
8.Y00282	GRT20B-CP	PNP	100N	153g
8.Y00316	GRT20C	-	100N	144g
8.Y00317	GRT20D	-	100N	160g
8.Y00318	GRT20E	-	100N	161g
8.Y00339	GRT20E-CN	NPN	100N	165g
8.Y00340	GRT20E-CP	PNP	100N	165g

Profile - SUS Tube

Stents Module

Quick Changer

Grip Module

Air Nipper

Vacuum Module

Accessory Components

Sprue Gripper GRT20 Series

Profile / SUS Tube

Stents Module

Quick Changer

Grip Module

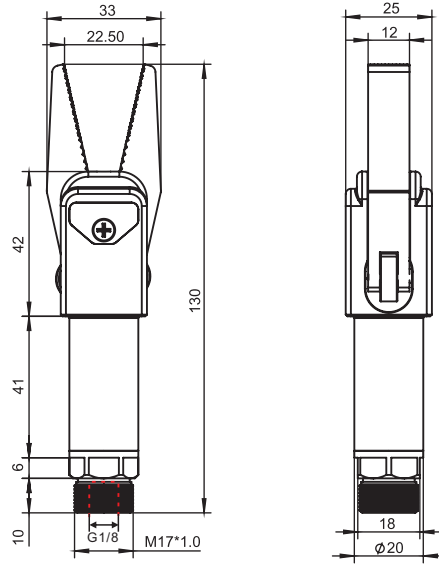
Air Nipper

Vacuum Module

Accessory Components

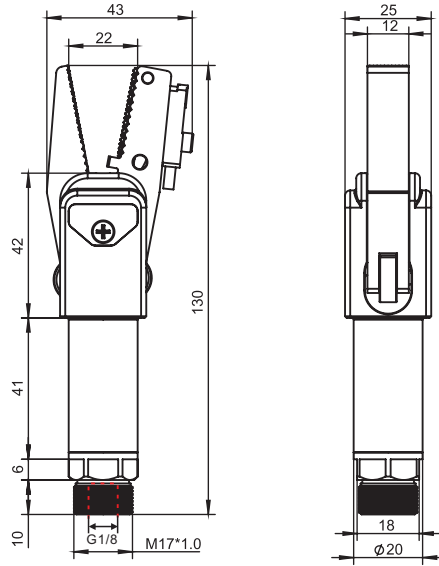


GRT20A
(Without Sensor)



GRT20A-CN(CP)
(With Sensor)

GX-F8A-P (PNP)
GX-F8A (NPN)

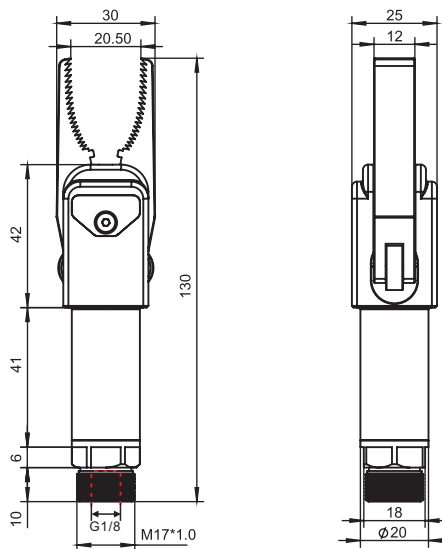


PN	Model	传感器(Sensor)	抓取力(F)	重量(Weight)
8.Y00257	GRT20A	-	100N	111g
8.Y00258	GRT20A-CN	NPN	100N	130g
8.Y00259	GRT20A-CP	PNP	100N	130g

Sprue Gripper GRT20 Series

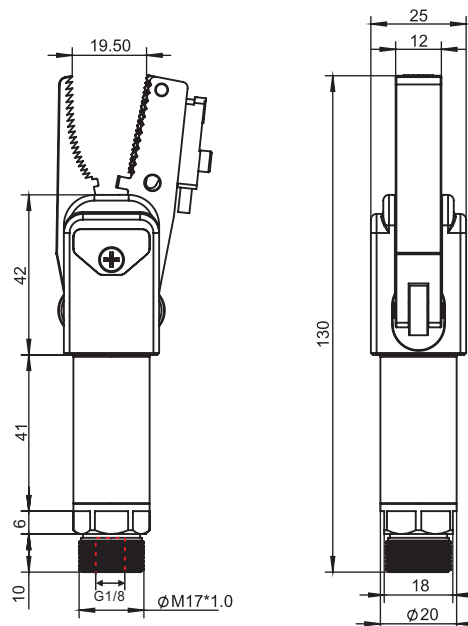


GRT20B
(Without Sensor)



GRT20B-CN(CP)
With Sensor

GX-F8A-P (PNP)
GX-F8A (NPN)



Profile - SUS Tube

Stents Module

Quick Changer

Grip Module

Air Nipper

Vacuum Module

Accessory Components

PN	Model	Sensor	F	Weight
8.Y00279	GRT20B	-	100N	155g
8.Y00281	GRT20B-CN	NPN	100N	153g
8.Y00282	GRT20B-CP	PNP	100N	153g

Sprue Gripper GRT20 Series

Profile · SUS Tube

Stents Module

Quick Changer

Grip Module

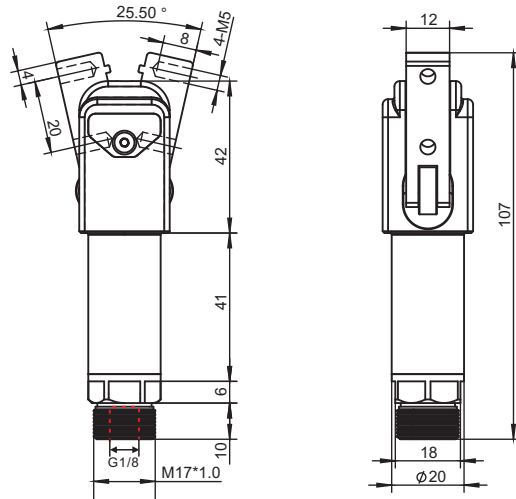
Air Nipper

Vacuum Module

Accessory Components



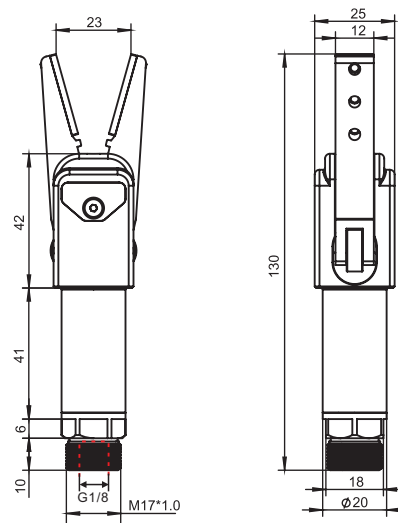
GRT20C
(Without Sensor)



PN	Model	Sensor	F	Weight
8.Y00316	GRT20C	-	100N	144g



GRT20D
(Without Sensor)

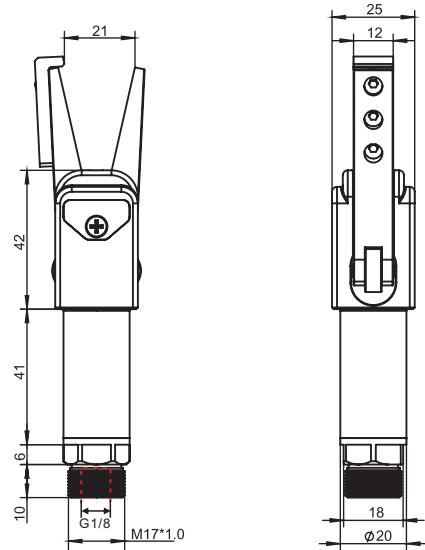


PN	Model	Sensor	F	Weight
8.Y00317	GRT20D	-	100N	160g

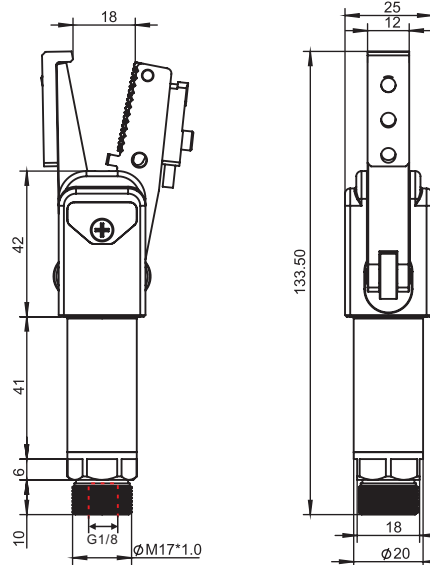
Sprue Gripper GRT20 Series



GRT20E
(Without Sensor)



GRT20E-CN(CP)
(With Sensor)



PN	Model	Sensor	F	Weight
8.Y00318	GRT20E	-	100N	161g
8.Y00339	GRT20E-CN	NPN	100N	165g
8.Y00340	GRT20E-CP	PNP	100N	165g

Profile / SUS Tube

Stents Module

Quick Changer

Grip Module

Air Nipper

Vacuum Module

Accessory Components

Sprue Gripper GRP32 Series

Profile - SUS Tube

Stents Module

Quick Changer

Grip Module

Air Nipper

Vacuum Module

Accessory Components



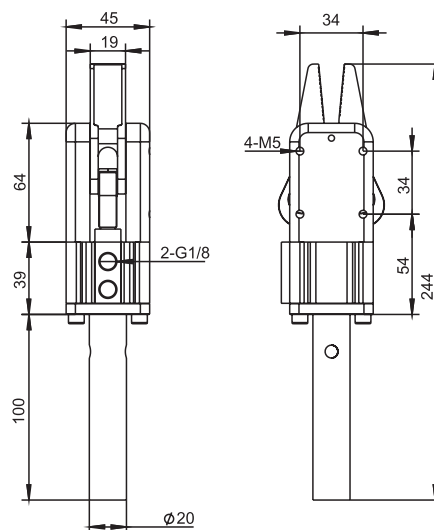
50, 100, 150



A 齿



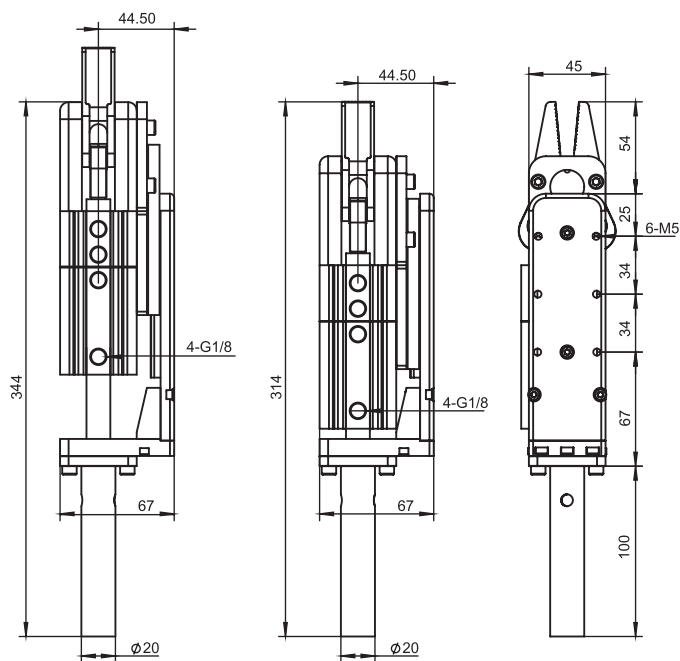
B



GRP32A



50, 100, 150



GRP32A-30

Series GRP32

Standard jaws with teeth, Double action function.
Fully compatible with CRG's modular EOAT/gripper system.

20mm shaft diameter.

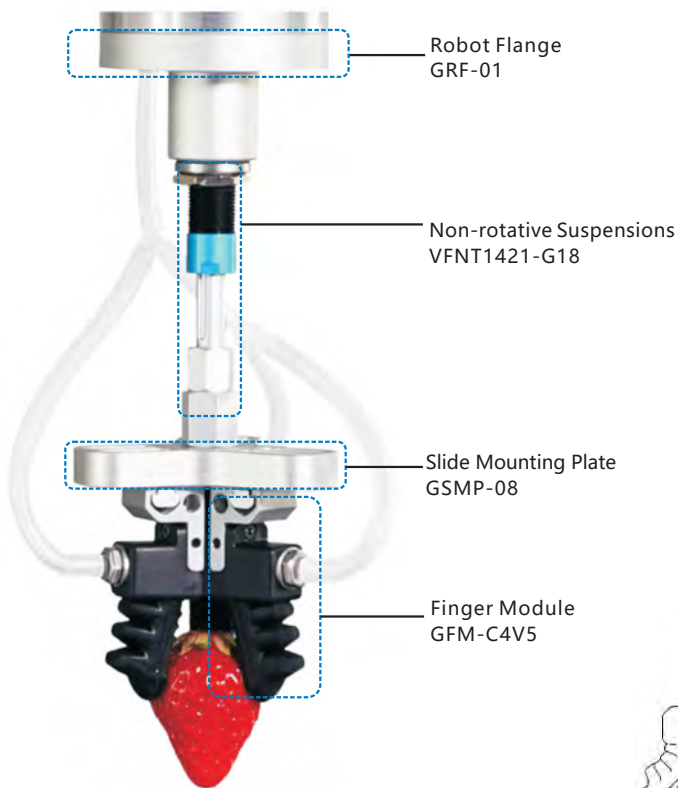
Requirements:

Working air pressure 6 bar.

Requires filtered dry air.

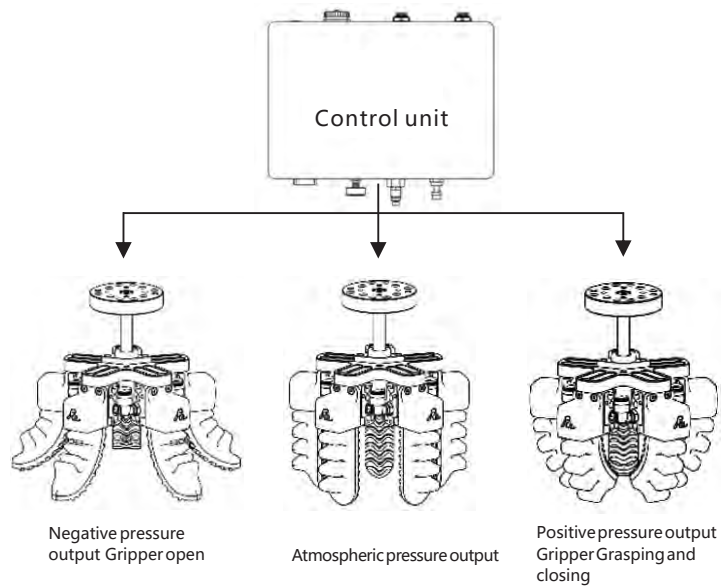
PN	Model	Sensor	F	Weight
8.Y00278	GRP32A	-	200N	604g
8.Y00315	GRP32A-30	-	200N	1276g
8.Y00388	GRP32B	-	200N	608g
8.Y00387	GRP32B-30	-	200N	1282g

Flexible Soft Gripper GFM/GBS Series



3 Fingers Gripper Suit

Flexible soft grippers adopt pneumatic drive technology, through positive and negative pressure transform to achieve fingers opening and closing movement. Then realize flexible gripping or outrigger action. The gripper grab strength is adjusted by air pressure. Then achieve flexible gripping of different objects while avoiding damage objects.



Application

Food industry
Food grade materials are safe and non-toxic, especially suitable for grabbing liquid packaging, Bread and cake sorting and packaging, etc.

3C electron industry
It's suitable for high precision positioning precision electronic instruments, and the assembly, sorting, testing and packaging of mobile phones and other products.

Clothing industry
It's suitable for handling and sorting express packages, Not only for cube express box, but also for all kinds of shapes such as different express bags.

Daily chemical industry
It is suitable for lipstick and other products that required no scratch on the appearance of the package, especially suitable for large bottle shampoo and other products covered with plastic film.

Auto industry
It is used for the sorting and handling of the parts which are easy to scratch in auto lamp, instrument assembly, irregular parts and easy to scratch parts. It can also be used for the sorting and handling of mold and tooling in automobile parts manufacturing.

Medical industry
It is used for grasping medical consumables such as infusion tube and test tube. It also can grab bottle and liquid packaging injection. Including for the production of medical equipment sterilization and so on.

Profile · SUS Tube

Stents Module

Quick Changer

Grip Module

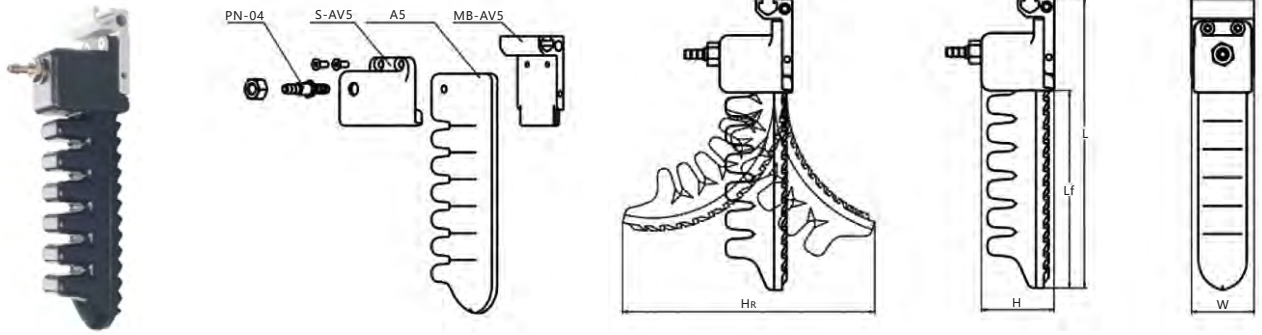
Air Nipper

Vacuum Module

Accessory Components

Finger Module

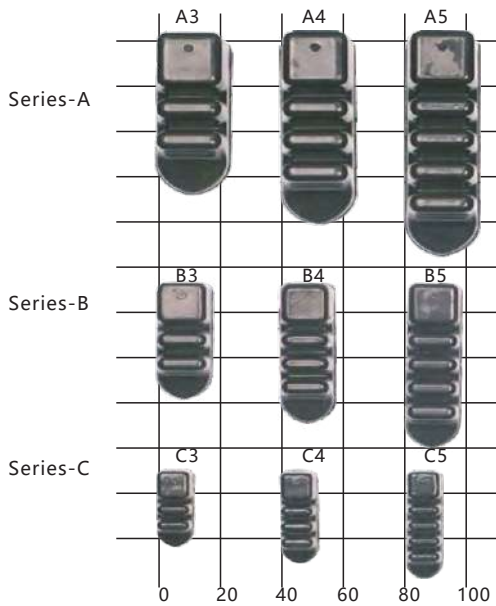
Series-GFM-V5



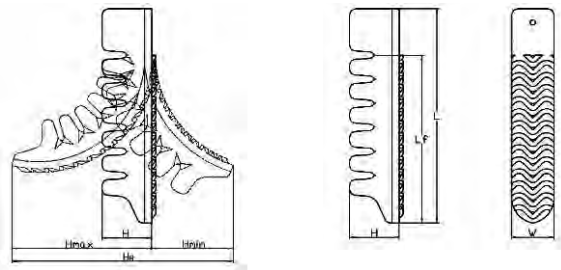
Series	PN	Model	H[mm]	Fingertip Stroke HR [mm]	Lf[mm]	L[mm]	W[mm]	Load Range[g]	Self Weight[g]
A	4.Y00500	GFM-A3V5	36	30	41	88	31	200 - 500	52
	4.Y00501	GFM-A4V5		55	55	102			57
	4.Y00502	GFM-A5V5		80	69	116			62
B	4.Y00503	GFM-B3V5	29	38	31	71	25	150 - 300	28
	4.Y00504	GFM-B4V5		50	42	82			29.5
	4.Y00505	GFM-B5V5		80	52	92			31
C	4.Y00506	GFM-C3V5	22	22	21	53	18	0 - 100	13.7
	4.Y00507	GFM-C4V5		36	28	60			14.5
	4.Y00508	GFM-C5V5		41	35	67			15.3

Flexible Finger

Model comparison



Size Parameter



Series	PN	Model	H[mm]	Fingertip Stroke HR [mm]		Lf[mm]	L[mm]	W[mm]	Load Range[g]	Self Weight[g]
				Positive Pressure Hmin	Negative Pressure Hmax					
A	1.Y08421	A3	28	10	20	41	69	24	200-500	30
	1.Y08422	A4		25	30	55	83			35
	1.Y08423	A5		35	45	69	97			40
B	1.Y08424	B3	21	19	19	31	52	18	150-300	14
	1.Y08425	B4		25	25	42	62			15.5
	1.Y08426	B5		40	40	52	73			17
C	1.Y08427	C3	14	12	10	21	34	12	0-100	3.7
	1.Y08428	C4		18	18	28	41			4.5
	1.Y08429	C5		21	20	35	48			5.3

Profile · SUS Tube

Stents Module

Quick Changer

Grip Module

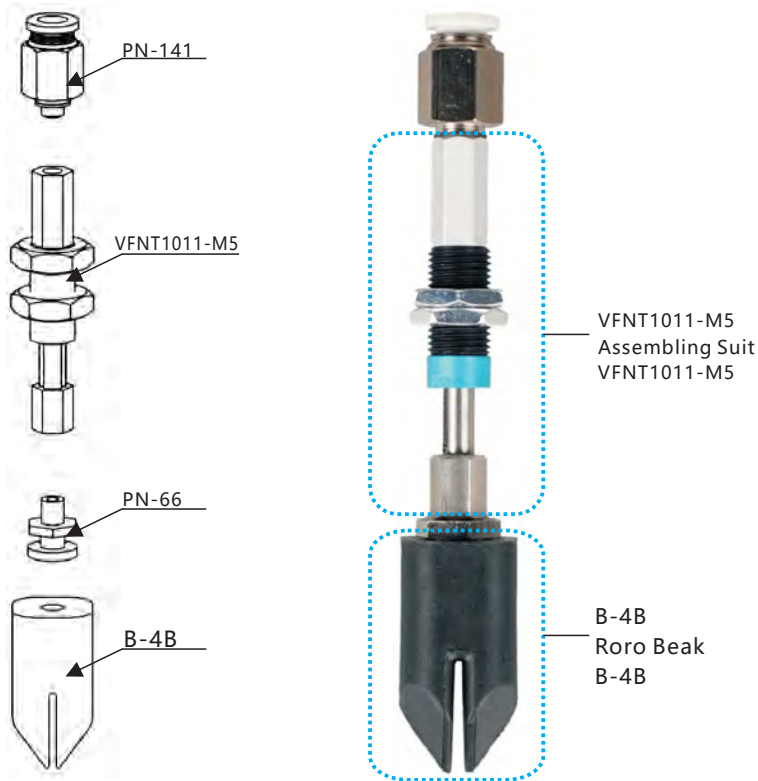
Air Nipper

Vacuum Module

Accessory Components

Roro Beak Suit

GBS-4B-S01 GBS-4B-S01 4 pieces Beak Suit



3 Pieces Application: Gripping jewelry by external bracing



3 Pieces Application: Gripping ring by external bracing



4 Pieces Application: Gripping products in Electronic industry

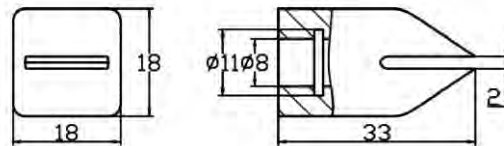
PN	Model	Maximum Load	Maximum Working Frequency	Precision Range
4.Y00509	GBS-2B-S01	5 g	200 times/min	0.1 mm
4.Y00510	GBS-3B-S01	5 g	200 times/min	0.1 mm
4.Y00511	GBS-4B-S01	5 g	200 times/min	0.1 mm

Roro Beak

2 pieces Roro Beak Gripping Range: 1-5mm, Application: fibrous, striped small objects

Roro Beak B-2B

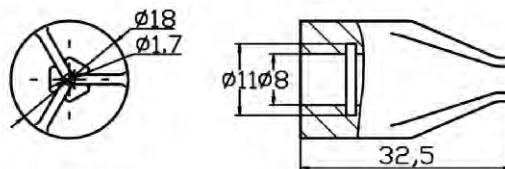
PN	1.Y08430
Model	B-2B



3 pieces Roro Beak Gripping Range: 7-12mm, Application: gripping small rings by external bracing

Roro Beak B-3B

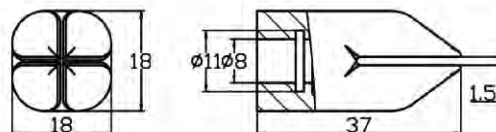
PN	1.Y08431
Model	B-3B



4 pieces Roro Beak Gripping Range: 1-5mm, Application: spherical, irregular small objects, the best universality

Roro Beak B-4B

PN	1.Y08432
Model	B-4B



Profile - SUS Tube

Stents Module

Quick Changer

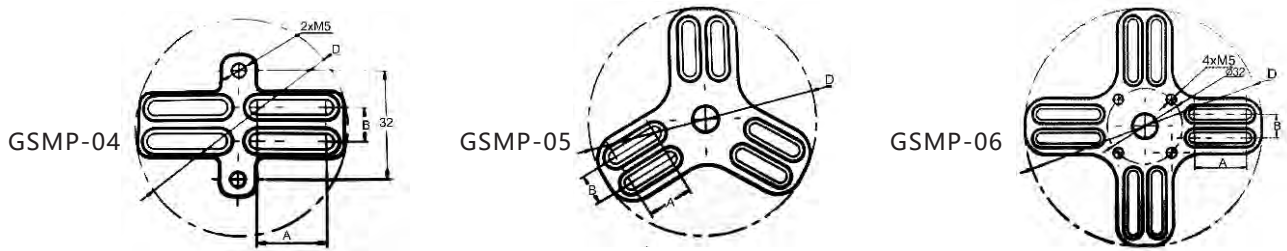
Grip Module

Air Nipper

Vacuum Module

Accessory Components

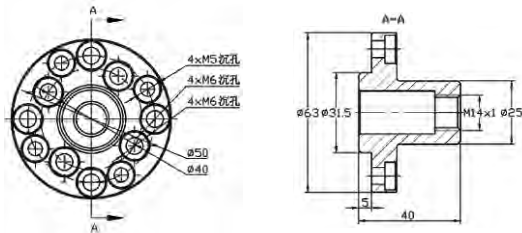
Slide Mounting Plate



PN	Model	Slot-Length A(mm)	Slot-Spacing B(mm)	Outside Diameter D(mm)	Thickness(mm)
7.Y00923	GSMP-04(short type)	20	10	62	8
7.Y00924	GSMP-05	50	10	148	10
7.Y00925	GSMP-06	67	10	190	10

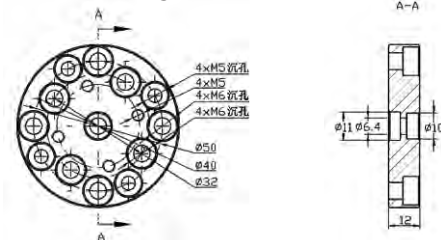
Robot Flange

GRF-01 Robot Flange GRF-01



PN	7.Y00926
Model	GRF-01

GRF-02 Robot Flange GRF-02

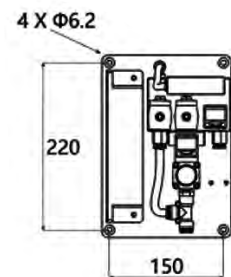
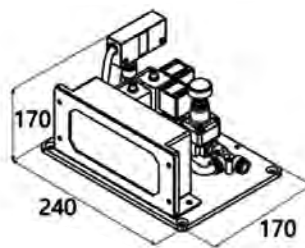


PN	7.Y00927
Model	GRF-02

iPCU Integrated Passive Control Unit

iPCU-SMN

Integrated Passive Control Unit - Manual air pressure regulator Standard model



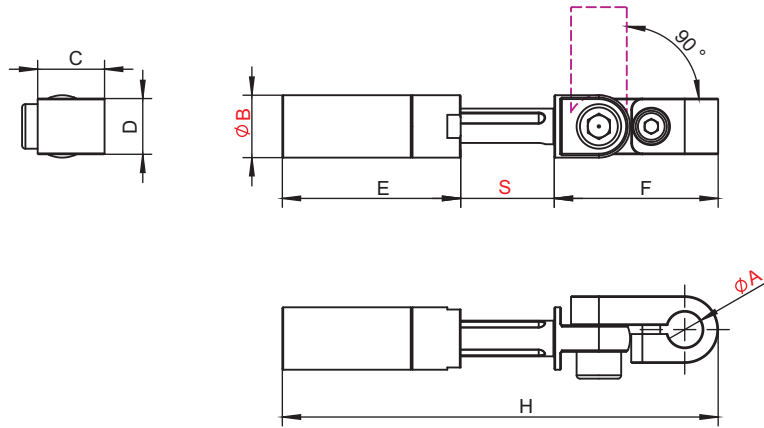
PN	Model	Size mm	Protection Grade	Net Weight kg
1.Y08433	iPCU-SMN	170*240*170	IP20	2.8

Work and Installation Parameter

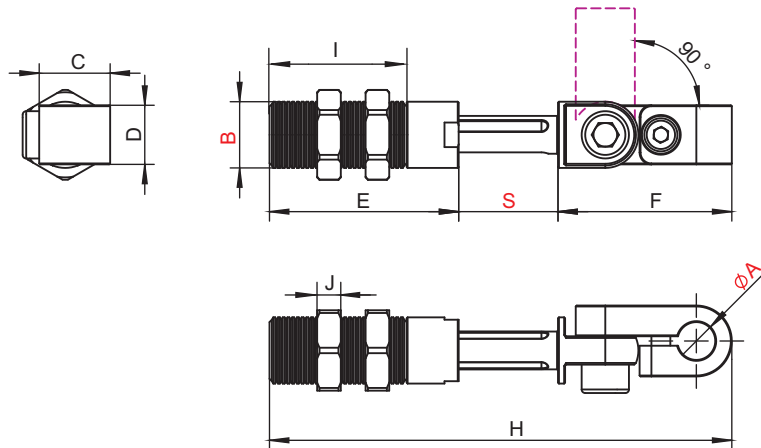
Parameter	Range
Fuselage Shell	Integrated, no shell
Rated Voltage	24VDC \pm 10%
Rated Current	1500mA
Input Air Source	0.45~1.0MPa dry clean air, flow>200L/min
Output Air Pressure	-70~120kPa
Control Mode	a. Wireless remote control, 315M RF
Feedback Mode	b.Signal cable, I/O,24VDC level signal Modbus, TCP/RTU-485
	Signal cable, I/O, switch signal
Work Mode	Energy-saving mode ^{Note1} :After the flexible soft gripper reach the opening posture, PCU will be suspended and gripper can remain opening posture.
Application Environment	Avoid a lot of dust, oil and corrosion

Buffer Support

Dimensions (mm)

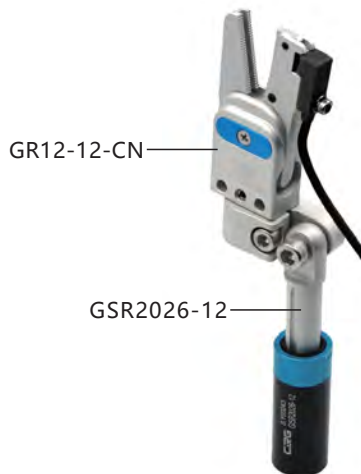


PN	Model	A(mm)	B(mm)	C(mm)	D(mm)	E(mm)	F(mm)	H(mm)	S(mm)	Weight
8.Y00241	GSR1421-08	8	14	15	12.5	40	36.75	97.75	21	36g
8.Y00329	GSR2026-10	10	20	20	15	50	45.5	121.5	26	74g
8.Y00243	GSR2026-12	12	20	20	15	50	45.5	121.5	26	73g
8.Y00330	GSR2051-10	10	20	20	15	84	45.5	180.5	51	111g
8.Y00331	GSR2051-12	12	20	20	15	84	45.5	180.5	51	110g



PN	Model	A(mm)	B(mm)	C(mm)	D(mm)	E(mm)	F(mm)	H(mm)	I(mm)	J(mm)	S(mm)	(Weight)
8.Y00242	GSRT1421-08	8	M14	15	12.5	40	36.75	97.75	29	2.7	21	43g
8.Y00332	GSRT2026-10	10	M20	20	15	50	45.5	121.5	39	3.9	26	92g
8.Y00244	GSRT2026-12	12	M20	20	15	50	45.5	121.5	39	3.9	26	91g
8.Y00333	GSRT2051-10	10	M20	20	15	84	45.5	180.5	39	3.9	51	129g
8.Y00334	GSRT2051-12	12	M20	20	15	84	45.5	180.5	39	3.9	51	128g

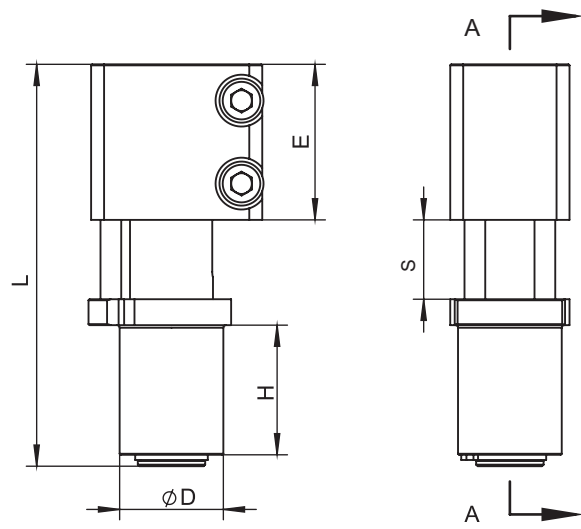
Application example



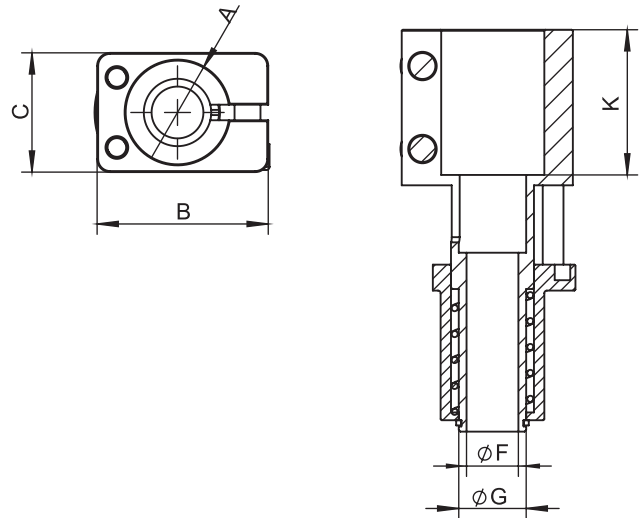
Profile - SUS Tube
Stents Module
Quick Changer
Grip Module
Air Nipper
Vacuum Module
Accessory Components

Buffer Support

Dimensions (mm)



Application example



PN	Model	A	B	C	D	E	F	G	H	L	K	S	Weight
8.Y00238	GSP20-14	14	31	20	20	30	10	13	25	77.5	28	15	57g
8.Y00239	GSP20-20	20	33	23	20	30	10	13	25	77.5	28	15	65g

Profile · SUS Tube

Stents Module

Quick Changer

Grip Module

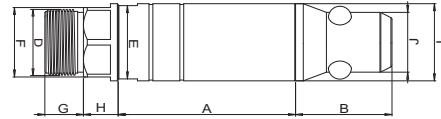
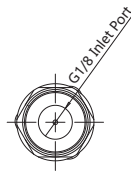
Air Nipper

Vacuum Module

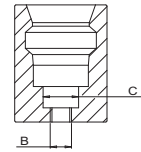
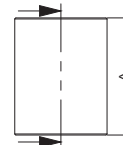
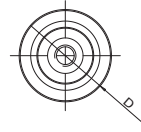
Accessory Components

Mould Positioner

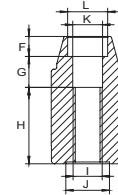
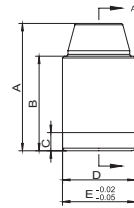
Dimensions (mm)



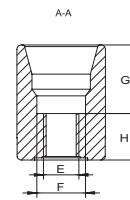
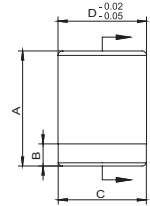
PN	Model	A	B	D	E	F	G	H	I	J	K	Force	Weight
8.Y00088	GMP20A	46	25	M17*1	19	18	10	9	Ø20	Ø15.5	G1/8	190N	78g
8.Y00089	GMP30A	75	38	M27*1	28	27	11	10	Ø30	Ø25.5	G1/8	280N	303g



PN	Model	A	B	C	D	Weight
7.Y00726	GMP20B	33	M6	10	26h7	87g
7.Y00789	GMP30B	43.5	M8	11	40h7	264g

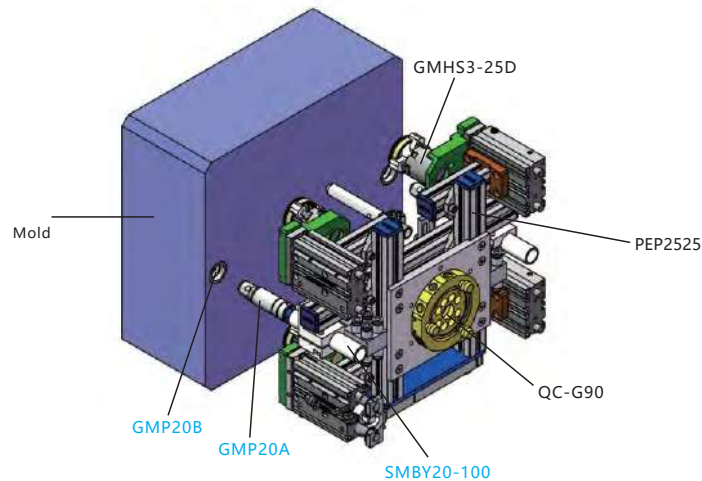


PN	Model	A	B	C	D	E	F	G	H	I	J	K	L	Weight
7.Y00894	GLU20A	35	26	5	Ø19.92	Ø20	5.50	8.50	21	M8	Ø12	Ø8.20	Ø11	61g



PN	Model	A	B	C	D	E	F	G	H	Weight
7.Y00895	GLU20B	26	5	Ø19.92	Ø20	M8	Ø11	15.50	10.50	42g

Application example



Profile - SUS Tube

Stents Module

Quick Changer

Grip Module

Air Nipper

Vacuum Module

Accessory Components

Pneumatic Needle Gripper(Series GN)

Profile · SUS Tube

Stents Module

Quick Changer

Grip Module

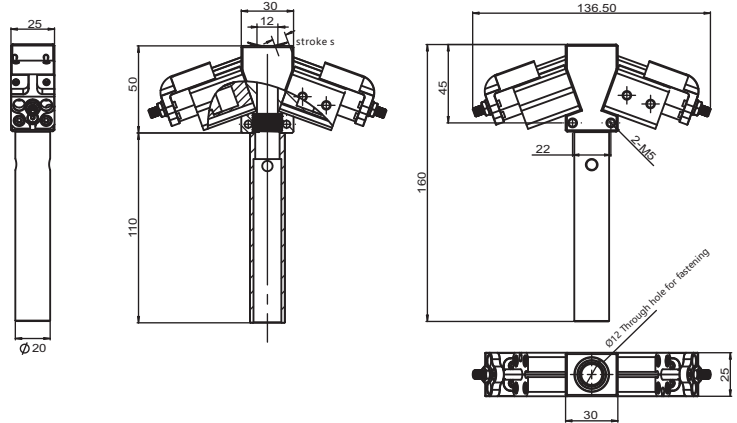
Air Nipper

Vacuum Module

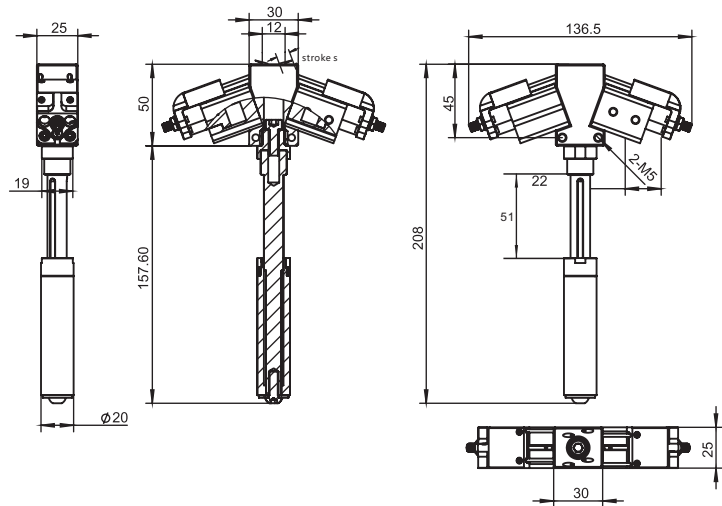
Accessory Components



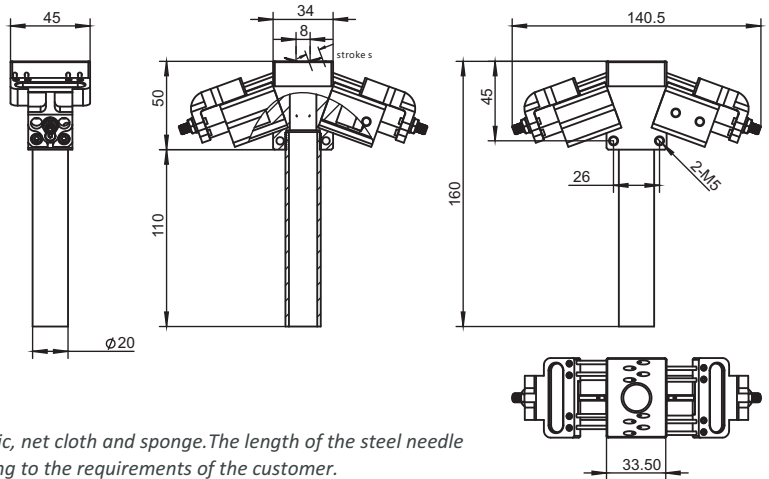
GN2010



GN2010-S51



GN2010-8

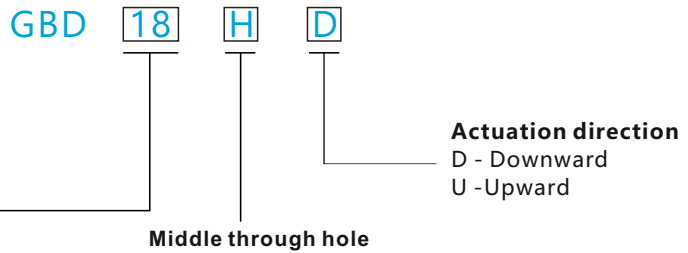


Being used for embedding and taking out nonwoven fabric, net cloth and sponge. The length of the steel needle can be not only adjustable, but also customized according to the requirements of the customer.

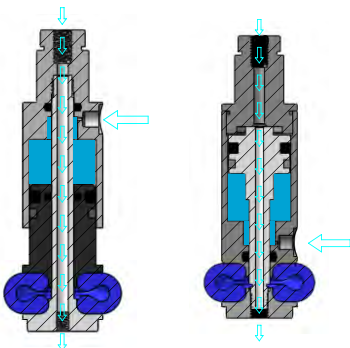
PN	8.Y00025	8.Y00341	8.Y00347
Model	GN2010	GN2010-S51	GN2010-8
Medium	Filtered, lubricated / non lubricated compressed air		
Pressure range	3 ~ 8 bar		
Temperature range	-10° ~ 70 °C.		
Opening total gripping force at 6 bar	90 N		
Needle stroke	0 ~ 10 mm		
Cycle air consumption	3.5 cm ³		
Weight	274g	240g	317g

Bulging Device

Model representation methods



Downward movement, or Upward movement.
The elastic part can be in Silicone or Rubber.
Grip diameters from 18 to 31 mm.
Several mounting accessories.



GBD...HD

GBD...HU

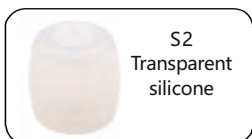
Through hole for fastening

The ...H models have a central through hole. It can be used to blow compressed air, or to provide vacuum, with the purpose to cool a part, or to check the leakage.

Silicone rubber

The elastic part can be in blue Silicone, or transparent silicone.
Silicone can be used over a wider temperature range and assures a longer life time.
The elastic part in Silicone is available as a spare part and can be replaced, when worn out.
The expected medium life time of the elastic part in Silicone is about 1 million cycles.

Spare elastic part



Silicone can be shipped by customers

Spec.	Ø18	Ø22
Model	18-S1	22-S1
PN	4.Y00470	4.Y00471
Model	18-S2	22-S2
PN	4.Y00472	4.Y00473
Bulging device	GBD18U GBD18HD	GBD22HU

T - Operating temperature of the elastic part (5~60°C for the gripper body)

Bulging Device

Profile - SUS Tube

Stents Module

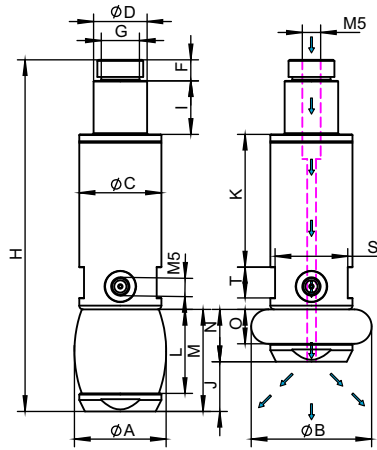
Quick Changer

Grip Module

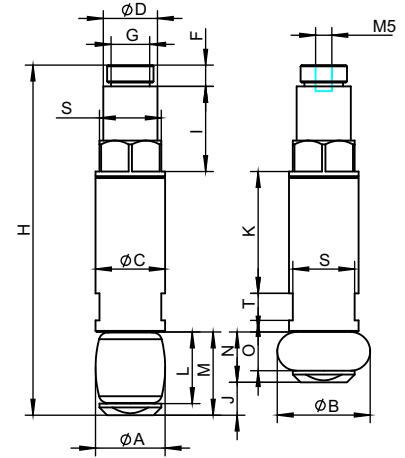
Air Nipper

Vacuum Module

Accessory Components

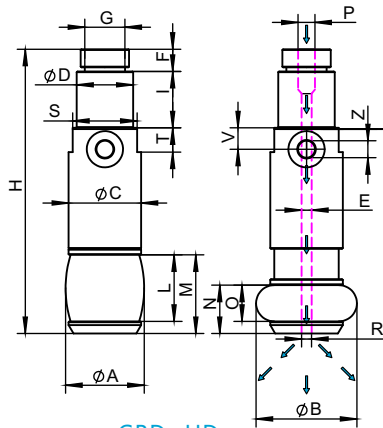


GBD...HU



GBD...U

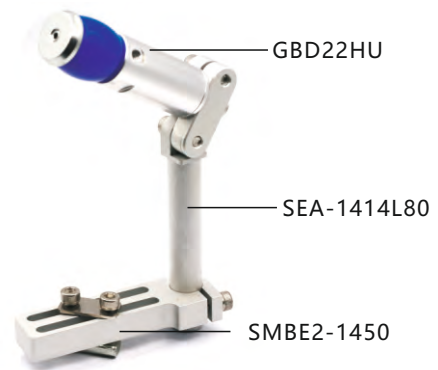
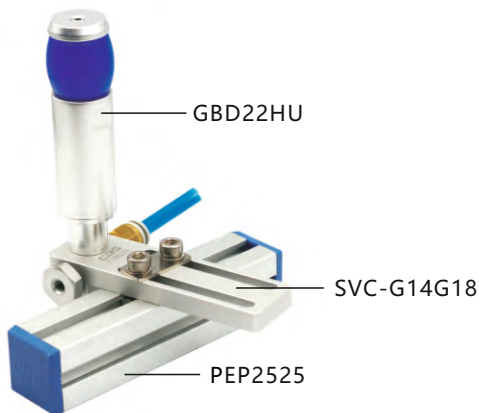
PN	Model	ØA	ØB	ØC	ØD	F	G	H	I	J	K	L	M	N	O	S	T	Weight
8.Y00212	GBD18U	18	24	18	14	5.5	M12×1	90.5	22	8.5	31.5	18.5	21.5	13	10	16	7	39.7
8.Y00058	GBD22HU	24	31.5	21.3	14	5.5	M12×1	92	14	13	34.8	22	26.7	13.7	9	19	8	53.8



GBD...HD

PN	Model	ØA	ØB	ØC	ØD	ØE	F	G	H	I	L	M	N	O	P	R	S	T	V	Z	Weight
8.Y00057	GBD18HD	19.5	25	18	14	2.5	5.5	M12×1	70.5	14	16.5	19.5	12	9	M5	M3	16	6	5.3	M5	27.4

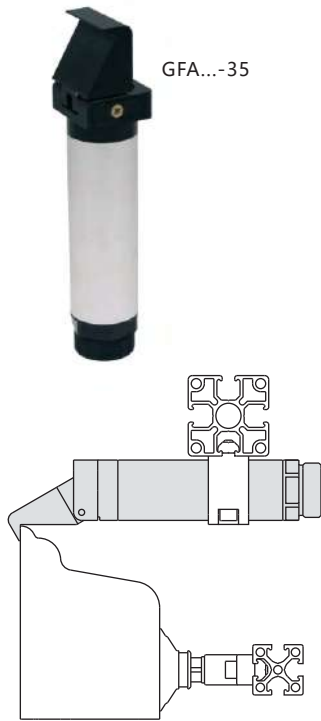
Application example



Not available in Germany, Italy and USA.

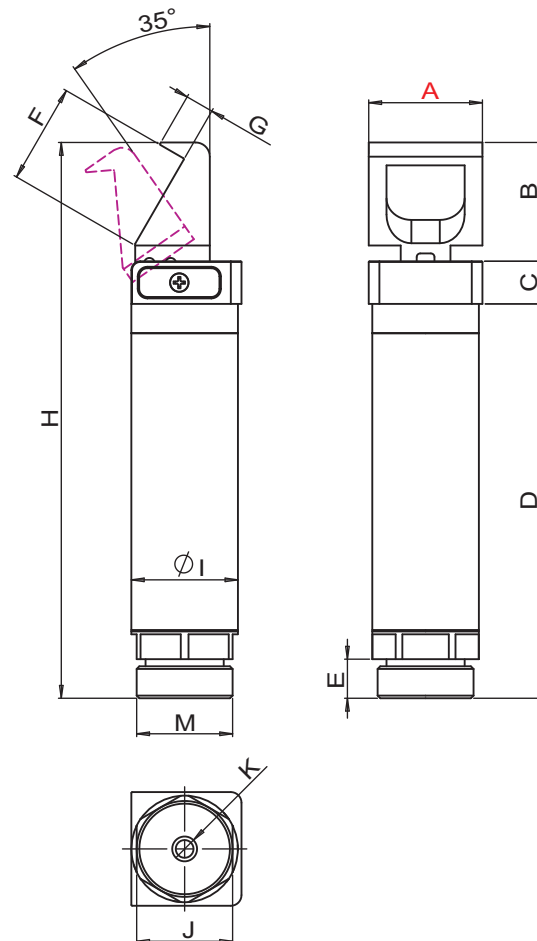
One Finger Angular Pneumatic Grippers (Series GF)

- Single acting.
- Built-in magnetic ring



PN	8.Y00117	8.Y00118	8.Y00119
Model	GFA14-35	GFA20-35	GFA30-35
Medium	Filtered, lubricated / non lubricated compressed air		
Gripper body	Aluminium		
Pressure range	2.5 ~ 8 bar		
Temperature range	-10 ~ 70 °C.		
Stroke	35°		
Piston bore	Ø10 mm	Ø16 mm	Ø25 mm
Closing torque at 6 bar	26 Ncm	100 Ncm	430 Ncm
Cycle air consumption	0.4 cm ³	1.24 cm ³	4.56 cm ³
Weight	25g	65g	206g
Built-in magnetic ring	Yes	Yes	Yes

PN	8.Y00117	8.Y00118	8.Y00119
Model	GFA14-35	GFA20-35	GFA30-35
A	14	20	30
B	14	20.5	30
C	10.5	9	12
D	49.5	76.5	111
E	5.5	8	11
F	13.5	20.2	30.5
G	4.5	6	8
H	74	106	153
I	Ø14	Ø20	Ø30
J	12	17	27
K	M5	M5	M5
M	M12×1	M17×1	M27×1



Profile - SUS Tube

Stents Module

Quick Changer

Grip Module

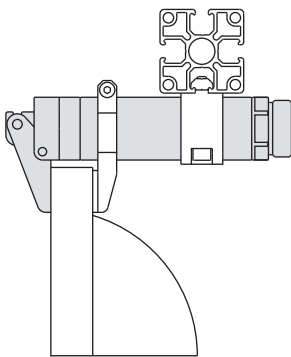
Air Nipper

Vacuum Module

Accessory Components

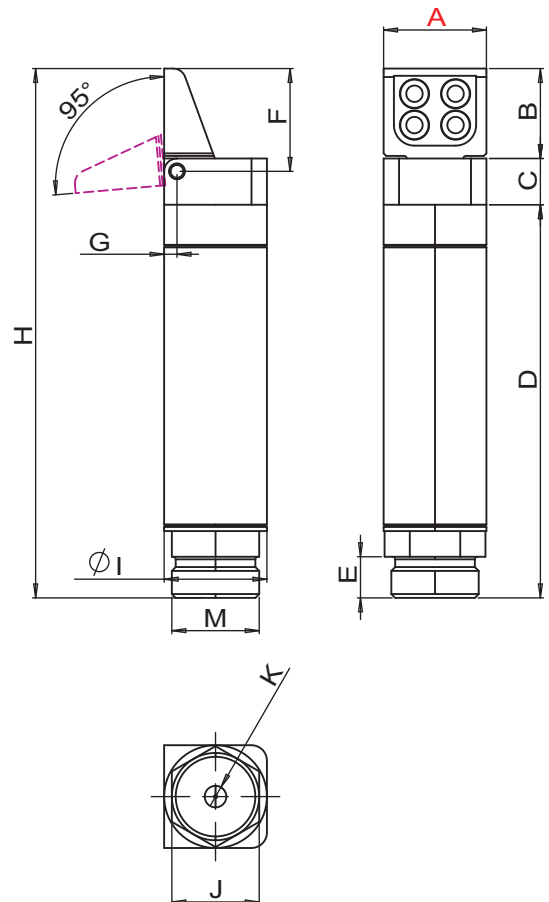
One Finger Angular Pneumatic Grippers (Series GF)

- Single acting.
- Built-in magnetic ring



PN	8.Y00042	8.Y00311	8.Y00095
Model	GFR14-95	GFR20-95E	GFR30-95
Medium	Filtered,lubricated / non lubricated compressed air		
Gripper body	Aluminium		
Pressure range	2.5 ~ 8 bar		
Temperature range	-10 ~ 70 °C.		
Stroke	95°		
Piston bore	Ø10 mm	Ø16 mm	Ø25 mm
Closing torque at 6 bar	19 Ncm	70 Ncm	300 Ncm
Cycle air consumption	1 cm ³	3.52 cm ³	12.9 cm ³
Weight	25g	60g	193g
Built-in magnetic ring	Yes	Yes	Yes
Remark		8.Y00041	

PN	8.Y00042	8.Y00311	8.Y00095
Model	GFR14-95	GFR20-95E	GFR30-95
A	14	20	30
B	12	17.5	25
C	10.5	9	12
D	49.5	76.5	111
E	5.5	8	11
F	14	20	29
G	2	2.5	4
H	72	103	148
I	Ø14	Ø20	Ø30
J	12	17	27
K	M5	M5	M5
M	M12×1	M17×1	M27×1



Profile - SUS Tube

Stents Module

Quick Changer

Grip Module

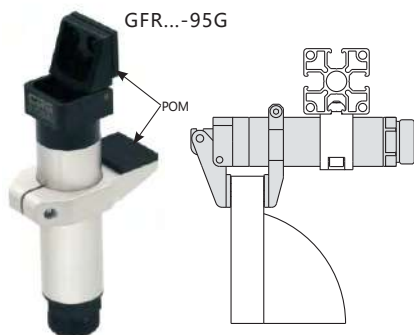
Air Nipper

Vacuum Module

Accessory Components

One Finger Angular Pneumatic Grippers (Series GF)

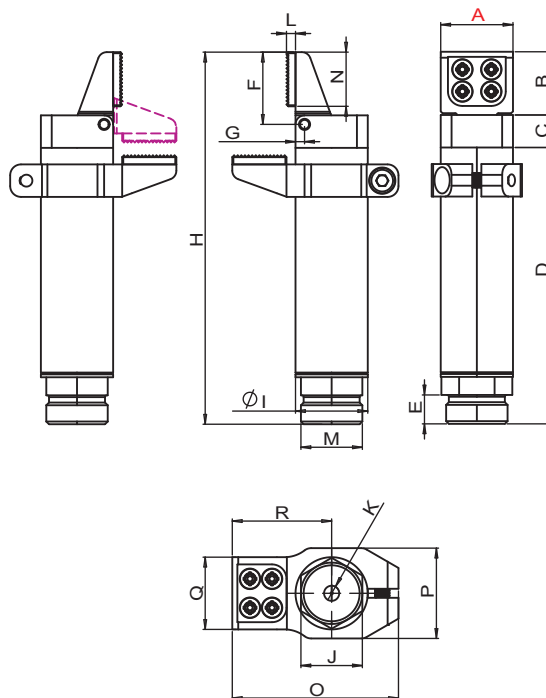
- Single acting.
- Built-in magnetic ring



PN	8.Y00084	8.Y00312	8.Y00096
Model	GFR14-95G	GFR20-95EG	GFR30-95G
Medium	Filtered, lubricated / non lubricated compressed air		
Gripper body	Aluminium		
Pressure range	2.5 ~ 8 bar		
Temperature range	-10 ~ 70 °C.		
Stroke	95°		
Piston bore	Ø10 mm	Ø16 mm	Ø25 mm
Closing torque at 6 bar	19 Ncm	70 Ncm	300 Ncm
Cycle air consumption	1cm ³	3.52cm ³	12.9 cm ³
Weight	36g	87g	300g
Built-in magnetic ring	Yes	Yes	Yes
Remark		8.Y00083	

PN	4.Y00486	4.Y00485	-
Model	SIL-14G	SIL-20G	-
Applicable Products	GFR14-95G	GFR20-95EG GFR20-95LG GFR20-95SG	-

PN	8.Y00084	8.Y00312	8.Y00096
Model	GFR14-95G	GFR20-95EG	GFR30-95G
A	14	20	30
B	12	17.5	25
C	10.5	9	12
D	49.5	76.5	111
E	5.5	8	11
F	14	20	29
G	2	2.5	4
H	72	103	148
I	Ø14	Ø20	Ø30
J	12	17	27
K	M5	M5	M5
L	2.5	2.5	3
M	M12×1	M17×1	M27×1
N	11	15	20
O	32	46	63
P	19	25	37
Q	14	20	30
R	19	27.5	40



Profile - SUS Tube

Stents Module

Quick Changer

Grip Module

Air Nipper

Vacuum Module

Accessory Components

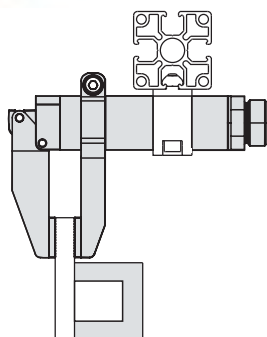
One Finger Angular Pneumatic Grippers (Series GF)

Profile / SUS Tube
Stents Module
Quick Changer
Grip Module
Air Nipper
Vacuum Module
Accessory Components

- Single acting.
- Built-in magnetic ring

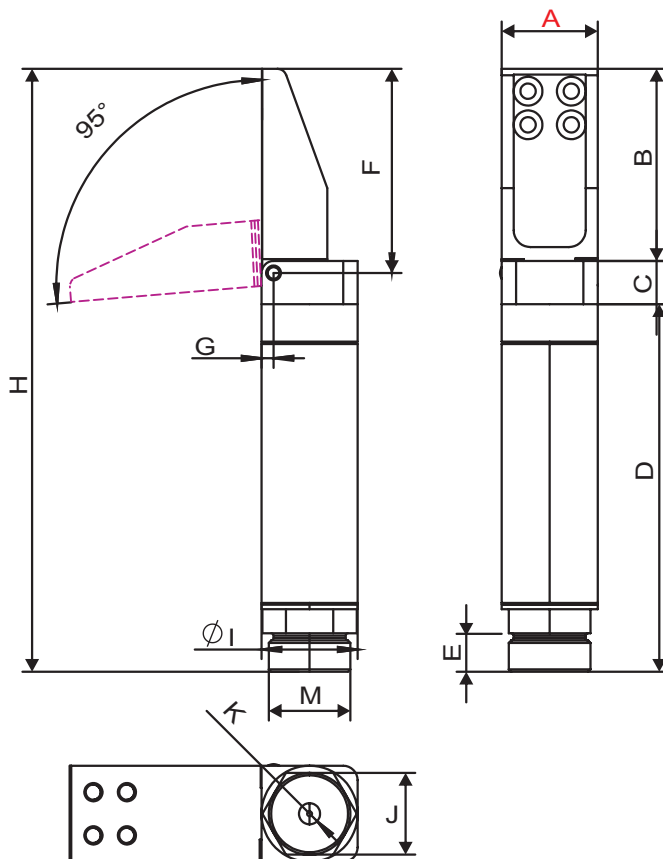


GFR...-95L



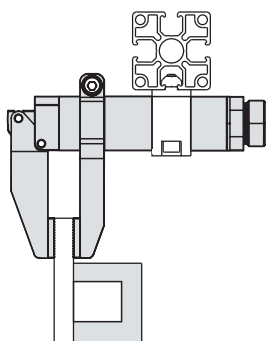
PN	8.Y00309
Model	GFR20-95L
Medium	Filtered, lubricated / non lubricated compressed air
Gripper body	Aluminium
Pressure range	2.5 ~ 8 bar
Temperature range	-10 ~ 70 °C.
Stroke	95°
Piston bore	Ø16 mm
Closing torque at 6 bar	70 Ncm
Cycle air consumption	3.52 cm ³
Weight	81.4g
Built-in magnetic ring	Yes

PN	8.Y00309
Model	GFR20-95L
A	20
B	40
C	9
D	76.5
E	8
F	42.5
G	2.5
H	125.5
I	Ø20
J	17
K	M5
M	M17×1



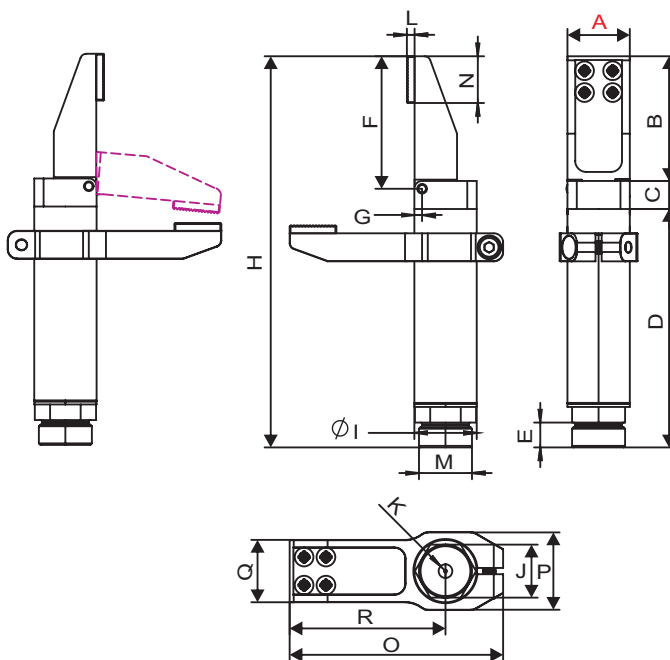
One Finger Angular Pneumatic Grippers (Series GF)

- Single acting.
- Built-in magnetic ring



PN	8.Y00310
Model	GFR20-95LG
Medium	Filtered, lubricated / non lubricated compressed air
Gripper body	Aluminium
Pressure range	2.5 ~ 8 bar
Temperature range	-10 ~ 70 °C.
Stroke	95°
Piston bore	Ø16 mm
Closing torque at 6 bar	70 Ncm
Cycle air consumption	3.52cm ³
Weight	104.8g
Built-in magnetic ring	Yes
PN	4.Y00485
Model	SIL-20G
Applicable Products	GFR20-95EG GFR20-95LG GFR20-95SG

PN	8.Y00310
Model	GFR20-95LG
A	20
B	40
C	9
D	76.5
E	8
F	42.5
G	2.5
H	125.5
I	Ø20
J	17
K	M5
L	2.5
M	M17×1
N	15
O	68.5
P	25
Q	20
R	50



Not available in Germany, Italy and USA.

Profile - SUS Tube

Stents Module

Quick Changer

Grip Module

Air Nipper

Vacuum Module

Accessory Components

One Finger Angular Pneumatic Grippers (Series GF)

Profile / SUS Tube

Stents Module

Quick Changer

Grip Module

Air Nipper

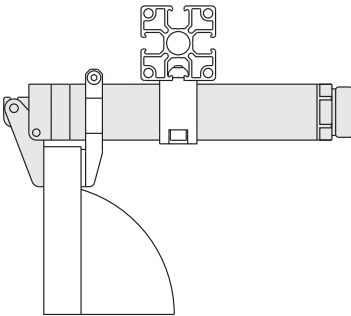
Vacuum Module

Accessory Components

- Single acting.
- Built-in magnetic ring

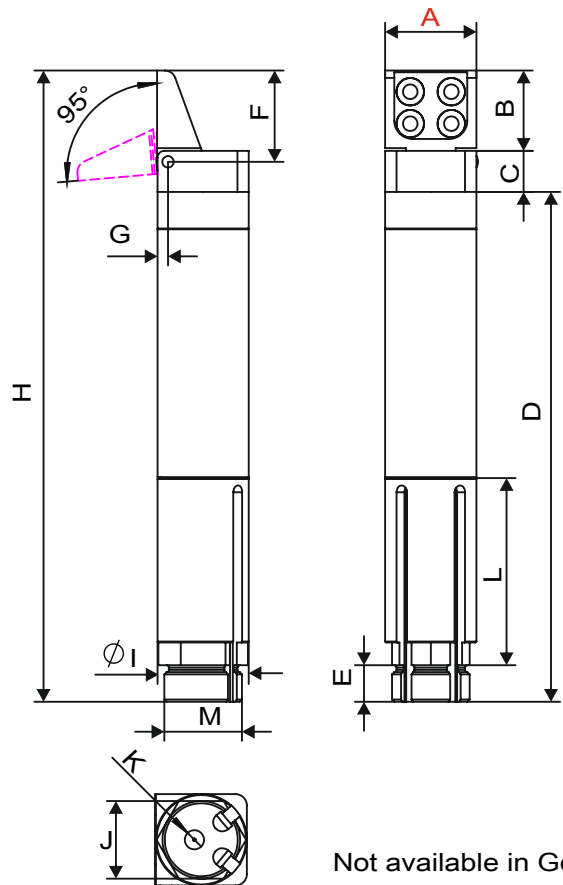


GFR...-95S



PN	8.Y00335
Model	GFR20-95S
Medium	Filtered, lubricated / non lubricated compressed air
Gripper body	Aluminium
Pressure range	2.5 ~ 8 bar
Temperature range	-10 ~ 70 °C.
Stroke	95°
Piston bore	Ø16 mm
Closing torque at 6 bar	70 Ncm
Cycle air consumption	3.52 cm ³
Weight	89g
Built-in magnetic ring	Yes

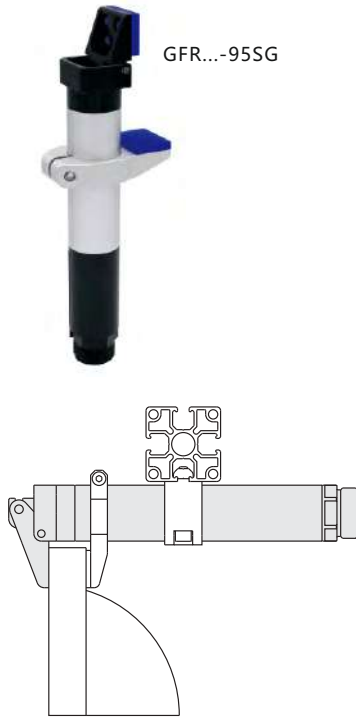
PN	8.Y00335
Model	GFR20-95S
A	20
B	17.5
C	9
D	111.5
E	8
F	20
G	2.3
H	138
I	Ø20
J	17
K	M5
L	41
M	M17×1



Not available in Germany, Italy and USA.

One Finger Angular Pneumatic Grippers (Series GF)

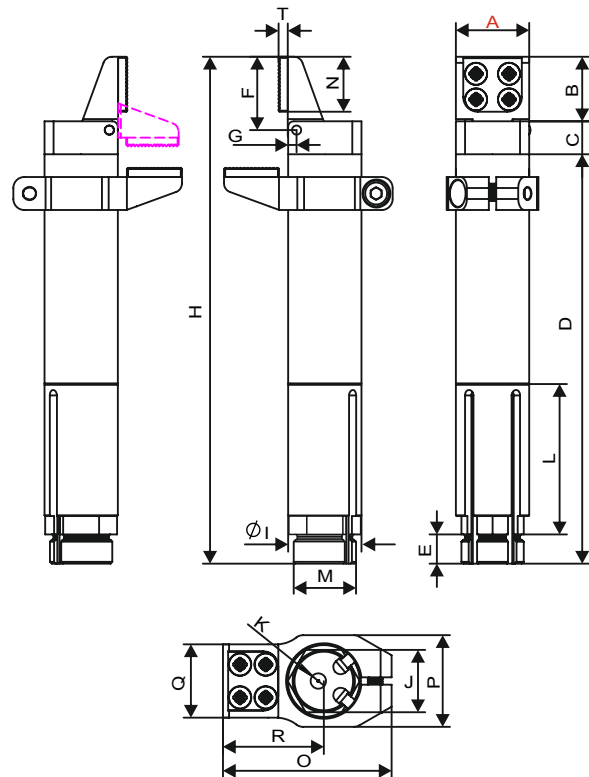
- Single acting.
- Built-in magnetic ring



GFR...-95SG

PN	8.Y00336
Model	GFR20-95SG
Medium	Filtered, lubricated / non lubricated compressed air
Gripper body	Aluminium
Pressure range	2.5 ~ 8 bar
Temperature range	-10 ~ 70 °C.
Stroke	95°
Piston bore	Ø16 mm
Closing torque at 6 bar	70 Ncm
Cycle air consumption	3.52 cm ³
Weight	103g
Built-in magnetic ring	Yes
PN	4.Y00485
Model	SIL-20G
Applicable Products	GFR20-95EG GFR20-95LG GFR20-95SG

PN	8.Y00336
Model	GFR20-95SG
A	20
B	17.5
C	9
D	111.5
E	8
F	20
G	2.3
H	138
I	Ø20
J	17
K	M5
L	41
M	M17×1
N	15
O	46
P	25
Q	20
R	27.5
T	2.5



Not available in Germany, Italy and USA.

Profile / SUS Tube

Stents Module

Quick Changer

Grip Module

Air Nipper

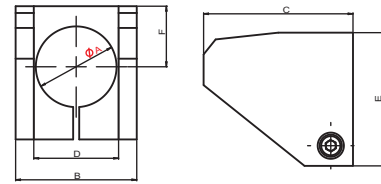
Vacuum Module

Accessory Components

Finger Gripper Options

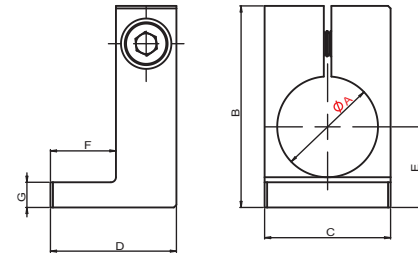
Profile · SUS Tube

PN	7.Y00778	7.Y00779
Model	GP1-20	GP1-30
A(mm)	Ø20	Ø30
B(mm)	30	45
C(mm)	37	65
D(mm)	21	32
E(mm)	33	44
F(mm)	15	20
Weight	20g	60g



Stents Module

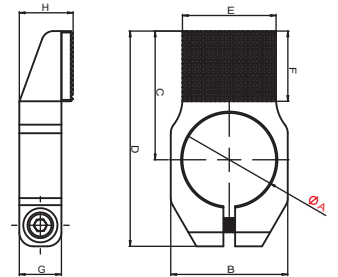
PN	7.Y00780	7.Y00781	7.Y00782
Model	GP2-14	GP2-20	GP2-30
A(mm)	Ø14	Ø20	Ø30
B(mm)	24	35	45
C(mm)	19	25	35
D(mm)	12	25	25
E(mm)	11	16	21
F(mm)	6	13	13
G(mm)	3.5	5	5.5
Weight	5g	14g	23g



Quick Changer

Grip Module

PN	7.Y00783	7.Y00700	7.Y00908	7.Y00785
Model	GP3-14	GP3-20	GP3-20L	GP3-30
A(mm)	Ø14	Ø20	Ø20	Ø30
B(mm)	19	25	25	37
C(mm)	14	20	50	30
D(mm)	32	43.5	68.5	63
E(mm)	19	27.5	20	40
F(mm)	10	9.5	15	12
H(mm)	11	15	11.5	20
G(mm)	6	7	9	9
Weight	6g	12g	19.8g	30g
	Silicone	Silicone	Silicone	POM



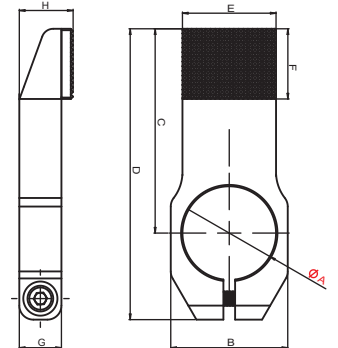
Air Nipper

Vacuum Module

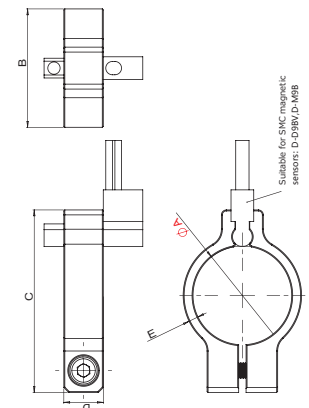
Accessory Components



GP3-20L



PN	7.Y00786	7.Y00787	7.Y00788
Model	GS-14	GS-20	GS-30
A(mm)	Ø14	Ø20	Ø30
B(mm)	18	24	34
C(mm)	30	37	47
D(mm)	8	8	8
E(mm)	2	2	2
Weight	14g	17g	25g



One Finger Angular Pneumatic Grippers (Series GO)

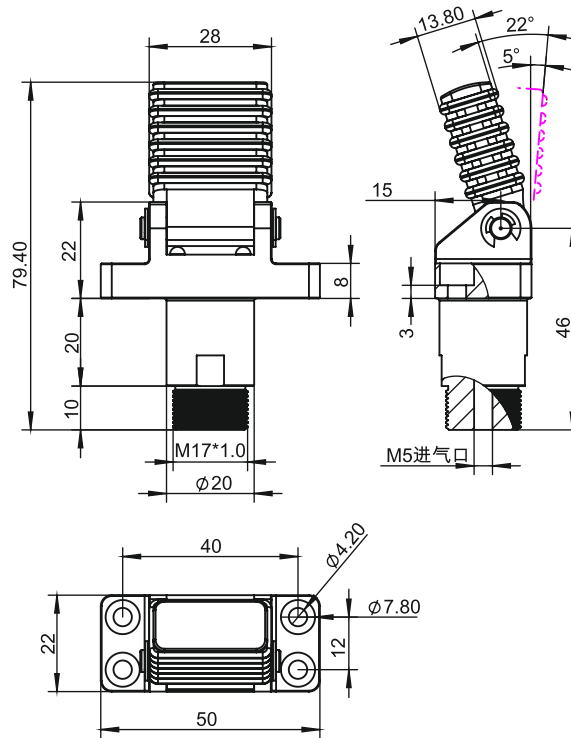
NEW



GOF20-20-VMQ

GOF20-20-NBR

Not available in Germany, Italy and USA.



PN	Model	Weight	Heat resistance (in °C)
8.Y00396	GOF20-20-NBR	57.4g	-20 to 80
8.Y00395	GOF20-20-VMQ	57.4g	-40 to 160

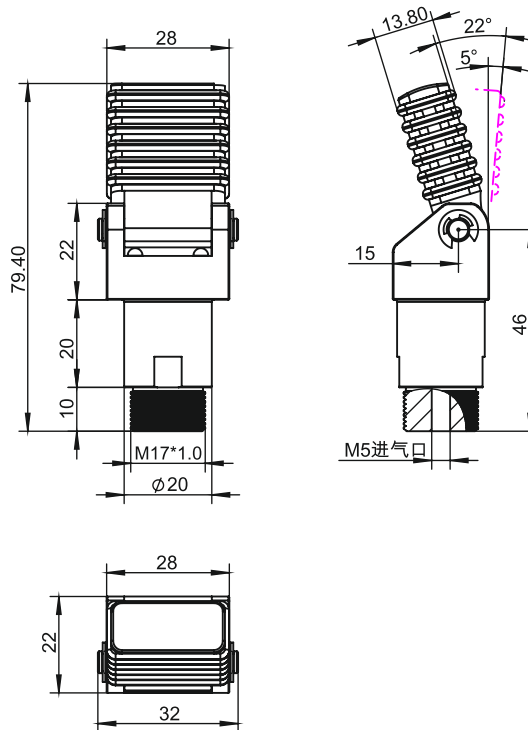
NEW



GOP20-20-VMQ

GOP20-20-NBR

Not available in Germany, Italy and USA.



PN	Model	Weight	Heat resistance (in °C)
8.Y00398	GOP20-20-NBR	50g	-20 to 80
8.Y00397	GOP20-20-VMQ	50g	-40 to 160

Profile - SUS Tube

Stents Module

Quick Changer

Grip Module

Air Nipper

Vacuum Module

Accessory Components

Optional Magnetic Sensors

The operating position is detected by magnetic proximity sensors (optional) through a magnet placed on the piston.

The use of magnetic proximity sensors is to be avoided in the vicinity of large masses of ferromagnetic material or intense magnetic fields as this may cause detection problems.

The sensors that can be used are:

Profile · SUS Tube

Stents Module

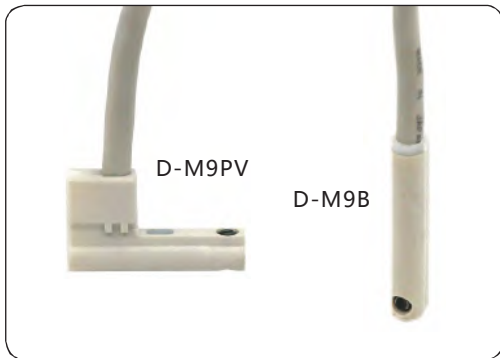
Quick Changer

Grip Module

Air Nipper

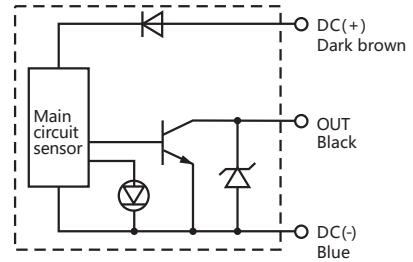
Vacuum Module

Accessory Components

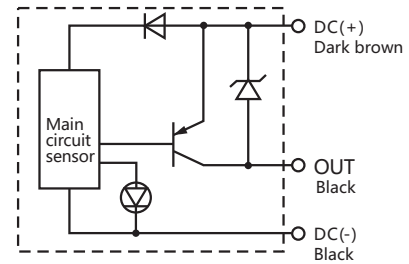


PN	1.Y00293
Model	D-MQ

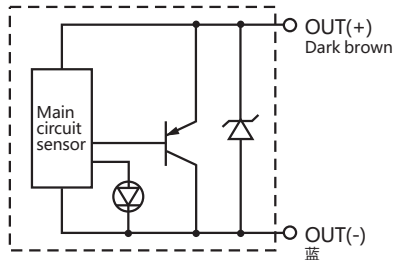
D-M9N·M9NV



D-M9P·M9PV



D-M9B·M9BV



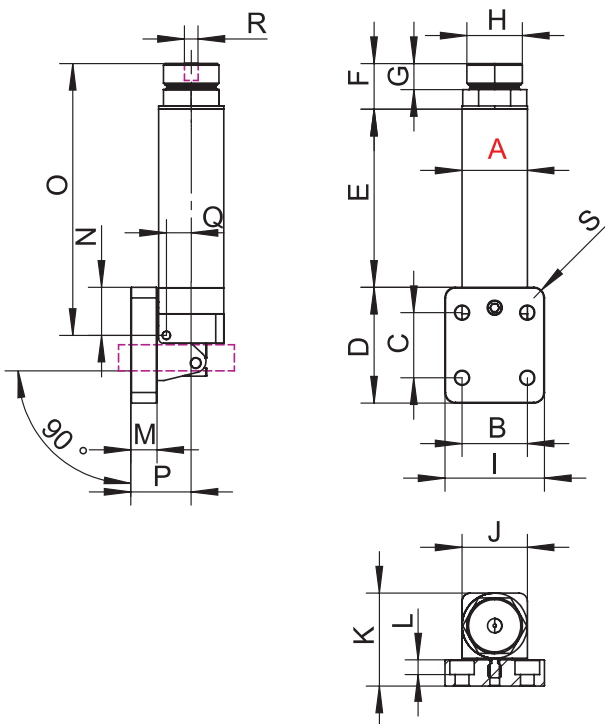
PN	Model	Type	L(mm)
1.Y00310	D-M9B	NPN	0.5m/0.5m
1.Y00307	D-M9BL		cable3.0m/3m cable
1.Y02565	D-M9BV	NPN	0.5m/0.5m
1.Y03843	D-M9BVL		cable3.0m/3m cable
1.Y00311	D-M9N	NPN	0.5m/0.5m
1.Y00295	D-M9NL		cable3.0m/3m cable
1.Y00298	D-M9NV	NPN	0.5m/0.5m
1.Y03598	D-M9NVL		cable3.0m/3m cable
1.Y00309	D-M9P	PNP	0.5m/0.5m
1.Y02301	D-M9PL		cable3.0m/3m cable
1.Y00296	D-M9PV	PNP	0.5m/0.5m
1.Y02964	D-M9PVL		cable3.0m/3m cable

Min Posture Gripper

- 90° rotation.
- Single-acting.
- Lifting by compressed air, spring reset.
- Several mounting accessories.
- Optional magnetic sensors.



PN	8.Y00094	8.Y00116
Model	GFN20-90	GFN30-90
Medium	Filtered, lubricated / non lubricated compressed air	
Pressure range	2 ~ 8 bar	2 ~ 8 bar
Temperature range	-10 ~ 70 °C.	-10 ~ 70 °C.
Tilt angle	90°	90°
Lift torque at 6 bar	120 Ncm	300 Ncm
Weight	65g	210g



PN	8.Y00094	8.Y00116
Model	GFN20-90	GN30-90
A	Ø20	Ø30
B	20	25
C	20	25
D	35.5	46
E	54.6	81.5
F	14	19
G	8	11
H	17	M27*1
I	30.5	37
J	20	30
K	28.5	40
L	4.5	5.5
M	8	10
N	14.74	18.5
O	83.34	119
P	18.5	25
Q	7.6	11
R	M5	M5
S	3.25	3

Profile - SUS Tube

Stents Module

Quick Changer

Grip Module

Air Nipper

Vacuum Module

Accessory Components

Vacuum Cups VS-PG Series

Profile - SUS Tube

Stents Module

Quick Changer

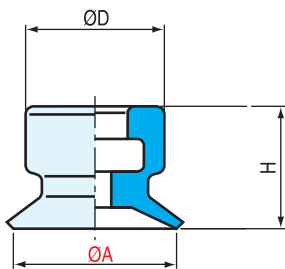
Grip Module

Air-Nipper

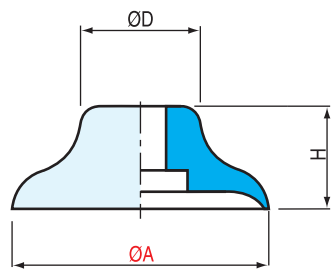
Vacuum Module

Accessory Components

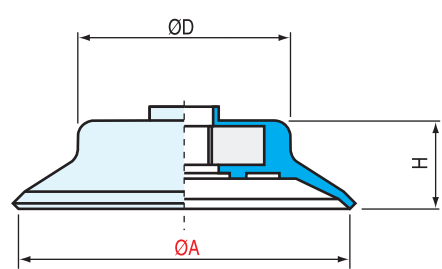
VS-PG2...VS-PG10



VS-PG15...VS-PG50



VS-PG60...VS-PG80



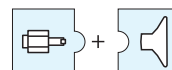
		$(N)^{(1)}$	$(N)^{(1)}$	ØA(mm)	H(mm)	ØD(mm)	STN	SI	NBR
VS-PG2	0.5	0.1	2	4	4	-	1.Y03289	1.Y09807	
VS-PG3.5	0.7	0.2	3.5	4	4	-	1.Y03290	1.Y09808	
VS-PG5	0.9	0.3	5	6.5	7.5	-	1.Y03291	1.Y09809	
VS-PG6	1.0	0.4	6	6.5	7.5	1.Y05881	1.Y03292	1.Y09810	
VS-PG8	1.1	0.5	8	7	8	1.Y05882	1.Y03293	1.Y09811	
VS-PG10	1.6	0.8	10	7.5	8.7	1.Y05883	1.Y03294	1.Y09812	
VS-PG15	3.7	1.8	15	8	12	1.Y05884	1.Y03301	1.Y09813	
VS-PG20	6.1	3.0	20	10	15	1.Y05885	1.Y03295	1.Y09814	
VS-PG25	9.4	4.7	25	14	16	1.Y05886	1.Y03296	1.Y09815	
VS-PG30	15.9	7.9	30	12	15	1.Y05887	1.Y03297	1.Y09816	
VS-PG35	23.1	11.6	35	14	20.5	-	1.Y03298	1.Y09817	
VS-PG40	26.7	13.4	40	14	23.5	1.Y05889	1.Y03299	1.Y09818	
VS-PG50	38.3	19.1	50	15	29	1.Y05890	1.Y03300	1.Y09819	
VS-PG60	57.8	28.9	60	16	38	1.Y05891	1.Y03302	1.Y09820	
VS-PG80	101.1	50.6	80	18	53	1.Y05892	1.Y03303	1.Y09821	

(1) Actual force of the suction cup in use with 65% vacuum and including a safety factor of 2 for horizontal handling and a factor of 4 for vertical handling.

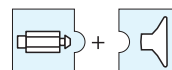


Types of assembly

Factory-crimped fitting:



Hollow shaft fitting:



Removable fitting:
(adapter and hollow screw)

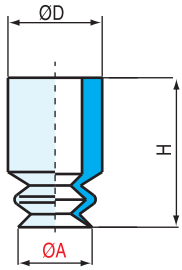


	Vacuum Cup Fitting		Vacuum Cups
VM14-M5		VS-PG2~VS-PG3.5	
VM13-M5		VS-PG5~VS-PG10	
VM11-M5		VS-PG15~VS-PG20	
VM-G18M-M5F+VM22-M5		VS-PG25~VS-PG40	
VM28-M8+VM-G18M-M8F		VS-PG50	
VM28-M8+VM-G14M-M8F		VS-PG60~VS-PG80	
VM-G14M-M10M			

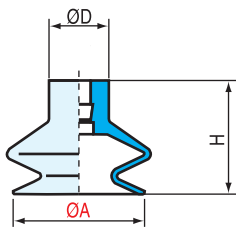
Materials	Shore Hardness	A Flexibility	Abrasion resistance	UV & weather resistance	Oil resistance	Heat resistance (in °C)	
SI: Translucent Silicone	50	+++	-	-	-	-40 to 220	Translucent
STN: Siton®	60	+	++	-	++	0 to 160	Blue
NBR: Nitrile	60	+	+	-	++	0 to 80	Black

Vacuum Cups VS2 Series

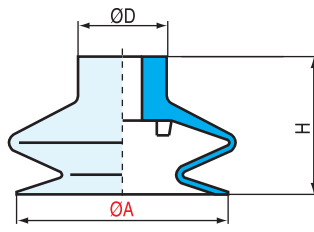
VS2-SA5



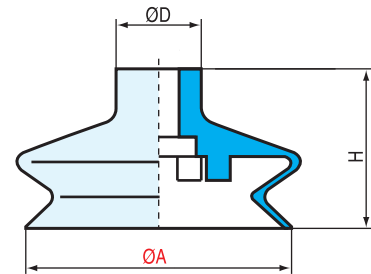
VS2-SA11...VS2-SA25



VS2-SA26...VS2-SA43



VS2-SA53...VS2-SA63



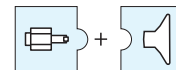
		Δ (N) ⁽¹⁾	∇ (N) ⁽¹⁾	ØA(mm)	H(mm)	ØD(mm)	STN	SIT5	NBR
VS2-SA5		0.5	0.2	5.5	11	7	1.Y05308	1.Y05178	1.Y09822
VS2-SA11		1.7	0.9	11	16	10	1.Y04899	1.Y03085	1.Y09823
VS2-SA14		2.5	1.3	13	16	10	1.Y05309	1.Y03311	1.Y09824
VS2-SA16		2.7	1.3	16	19	10	1.Y04659	1.Y03086	1.Y09825
VS2-SA18		4.4	2.2	18	16.5	10	1.Y05315	1.Y05317	1.Y09826
VS2-SA20		5.6	2.8	19	16	10	1.Y05310	1.Y03088	1.Y09827
VS2-SA22		6.1	3.1	22	19	10	1.Y04658	1.Y03312	1.Y09828
VS2-SA25		7.9	4.0	24	23	10	1.Y04657	1.Y03089	1.Y09829
VS2-SA33		13.9	6.9	33	27.5	18	1.Y04656	1.Y03090	1.Y09830
VS2-SA43		20.2	10.1	43	28	18	1.Y04655	1.Y04636	1.Y09831
VS2-SA53		42.6	21.3	53	34	18	1.Y04654	1.Y03313	1.Y09832
VS2-SA63		59.2	29.6	63	34	18	1.Y04653	1.Y04637	1.Y09833

(1) Actual force of the suction cup in use with 65% vacuum and including a safety factor of 2 for horizontal handling and a factor of 4 for vertical handling.

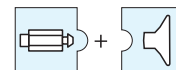


Types of assembly

Factory-crimped fitting:



Hollow shaft fitting:



Removable fitting:
(adapter and hollow screw)

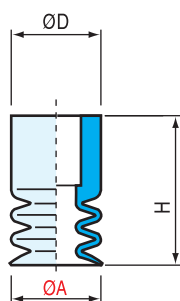


	Vacuum Cup Fitting		Vacuum Cups
	VM21-M5		VS2-SA5
	VM18-M5		VS2-SA11~VS2-SA25
	VM02-G18		
	VM08-M8 + VM-G18M-M8F		
	VM08-M8 + VM-G14M-M8F		VS2-SA33~VS2-SA63
	VM04-G14		
	VM24-G18		

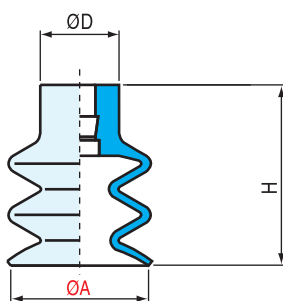
Materials	Shore Hardness	A Flexibility	Abrasion resistance	UV & weather resistance	Oil resistance	Heat resistance (in °C)	
STN: Siton®	60	+	++	-	++	0 to 160	Blue
SIT5: Translucent Silicone	50	+++	-	+++	-	-40 to 220	Translucent
NBR: Nitrile	60	+	+	-	++	0 to 80	Black

Vacuum Cups VS3 Series

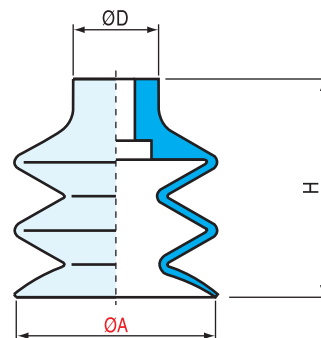
VS3-S5...VS3-S9



VS3-S12...VS3-S25



VS3-S26...VS3-S62



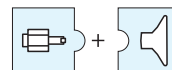
	$\Delta(N)^{(1)}$	ØA(mm)	H(mm)	ØD(mm)	STN	SIT5	NBR
VS3-S5	0.5	5	13.5	7	1.Y05304	1.Y05297	1.Y09834
VS3-S7	0.9	7	13.5	9	1.Y05286	1.Y05636	1.Y09836
VS3-S9	1.1	9	15	9	1.Y05634	1.Y05299	1.Y09837
VS3-S12	2.8	12	21	10	1.Y05630	1.Y05300	1.Y09838
VS3-S14	3.0	14	23	10	1.Y05635	1.Y05301	1.Y09839
VS3-S18	4.4	17.5	23	10	1.Y05305	1.Y05302	1.Y09840
VS3-S20	4.6	20	23	10	1.Y05287	1.Y03314	1.Y09841
VS3-S25	6.5	25	34	10	1.Y05288	1.Y03315	1.Y09842
VS3-S32	12.1	32	37.5	18	1.Y05289	1.Y03316	1.Y09843
VS3-S42	20.9	42	46	18	1.Y05290	1.Y03317	1.Y09844
VS3-S52	28.9	52	49	18	1.Y05291	1.Y03318	1.Y09845
VS3-S62	41.2	62	55	21	1.Y05292	1.Y03319	1.Y09846

(1) Actual force of the suction cup in use with 65% vacuum and including a safety factor of 2 for horizontal handling and a factor of 4 for vertical handling.

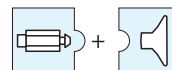


Types of assembly

Factory-crimped fitting:



Hollow shaft fitting:



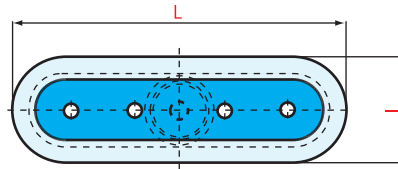
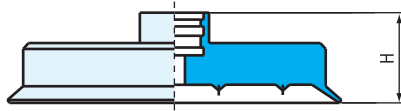
Removable fitting:
(adapter and hollow screw)



	Vacuum Cup Fitting		Vacuum Cups
VM21-M5			VS3-S5~VS3-S7
VM18-M5			VS3-S9~VS3-S25
VM02-G18			
VM08-M8 + VM-G18M-M8F			
VM08-M8 + VM-G14M-M8F			VS3-S32~VS3-S62
VM04-G14			
VM24-G18			

Materials	Shore Hardness	A Flexibility	Abrasion resistance	UV & weather resistance	Oil resistance	Heat resistance (in °C)	
STN: Siton®	60	+	++	-	++	0 to 160	Blue
SIT5: Translucent Silicone	50	+++	-	+++	-	-40 to 220	Translucent
NBR: Nitrile	60	+	+	-	++	0 to 80	Black

Vacuum Cups VS-PO Series

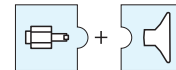


	L(mm)	l(mm)	H(mm)	STN	SI
VS-PO24	4	2	6	1.Y08504	1.Y08506
VS-PO357	7	3.5	6	1.Y08505	1.Y08507
VS-PO515	15	5	12	1.Y05638	1.Y03306
VS-PO618	18	6	12	1.Y05639	1.Y03307
VS-PO824	24	8	12	1.Y05640	1.Y03308
VS-PO1030	30	10	12	1.Y05641	1.Y03309
VS-PO1545	45	15	21	1.Y05642	1.Y03310
VS-PO2060	60	20	21	1.Y05643	1.Y05646
VS-PO2575	75	25	21	1.Y05644	1.Y05647
VS-PO3090	90	30	21	1.Y05645	1.Y05648

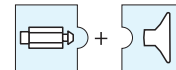


Types of assembly

Factory-crimped fitting:





Hollow shaft fitting:



Removable fitting:
(adapter and hollow screw)



 Vacuum Cup Fitting	 Vacuum Cups
VM25-M3	VS-PO24~VS-PO357
VM12-M5	VS-PO515~VS-PO618
VM16-G18	VS-PO824~VS-PO1030
VM06-G14	VS-PO1545~VS-PO3090

Materials	Shore Hardness	A Flexibility	Abrasion resistance	UV & weather resistance	Oil resistance 抗油污性	Heat resistance (in °C)	
SI: Translucent Silicone	50	+++	-	-	-	-40 to 220	Translucent
STN: Siton®	60	+	++	-	++	0 to 160	Blue

Profile - SUS Tube

Stents Module

Quick Changer

Grip Module

Air Nipper

Vacuum Module

Accessory Components

Vacuum Cups VSH Series

Profile · SUS Tube

Stents Module

Quick Changer

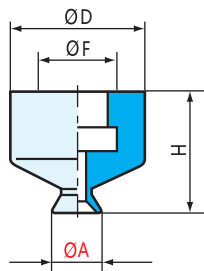
Grip Module

Air Nipper

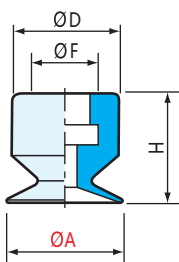
Vacuum Module

Accessory Components

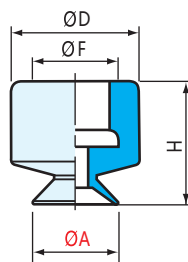
VSH-S2...VSH-S10



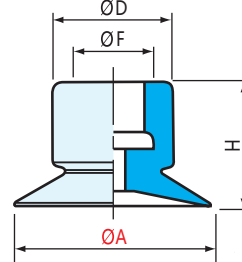
VSH-S12...VSH-S30



VSH-M4...VSH-M10



VSH-M12...VSH-M50



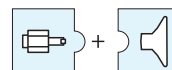
	Δ (N) ⁽¹⁾	∇ (N) ⁽¹⁾	ØA(mm)	H(mm)	ØD(mm)	ØF(mm)	SI
VSH-S2	0.5	0.1	2	13	11	7	1.Y07282
VSH-S4	0.7	0.2	4	15	11	7	1.Y07283
VSH-S6	0.9	0.3	6	11	11	7	1.Y07284
VSH-S8	1.1	0.5	8	11	11	7	1.Y07285
VSH-S10	1.6	0.8	10	11	11	7	1.Y07286
VSH-S12	2.0	1.5	12	11	11	7	1.Y07287
VSH-S15	3.7	1.8	15	13	11	7	1.Y07288
VSH-S20	6.1	3.0	20	13	12	7	1.Y07289
VSH-S25	9.4	4.7	25	13	11	7	1.Y07290
VSH-S30	15.9	7.9	30	12	13	7	1.Y07291
VSH-M4	0.7	0.2	4	14	15	11	1.Y07292
VSH-M6	0.9	0.3	6	15	15	11	1.Y07293
VSH-M8	1.1	0.5	8	15	15	11	1.Y07294
VSH-M10	1.6	0.8	10	15	15	11	1.Y07295
VSH-M12	2.0	1.5	12	15	15	11	1.Y07296
VSH-M15	3.7	1.8	15	15.5	16	11	1.Y07297
VSH-M20	6.1	3.0	20	15.5	16	11	1.Y07298
VSH-M25	9.4	4.7	25	15	15	11	1.Y07299
VSH-M30	15.9	7.9	30	15	16	11	1.Y07300
VSH-M40	26.7	13.4	40	16	17	11	1.Y07301
VSH-M50	38.3	19.1	50	15	20	11	1.Y07302

(1) Actual force of the suction cup in use with 65% vacuum and including a safety factor of 2 for horizontal handling and a factor of 4 for vertical handling.

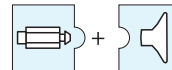


Types of assembly

Factory-crimped fitting:



Hollow shaft fitting:



Removable fitting:
(adapter and hollow screw)

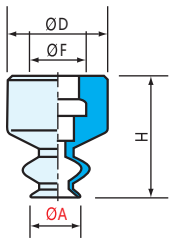


	Vacuum Cup Fitting		Vacuum Cups
	VM11-M5 VFS (VFS Series Stem) VFST (VFST Series Stem)		VSH-S2~VSH-S30
	VM10-G 1/8 VM27-M5 VFM (VFM Series Stem) VFMT (VFMT Series Stem)		VSH-M4~VSH-M50

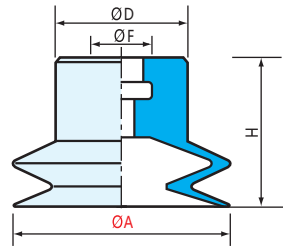
Materials	Shore Hardness	A Flexibility	Abrasion resistance	UV & weather resistance	Oil resistance	Heat resistance (in °C)	
SI: Translucent Silicone	50	+++	-	-	-	-40 to 220	Translucent

Vacuum Cups VSH2 Series

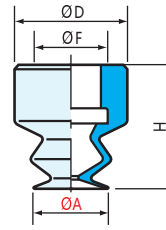
VSH2-S4...VSH2-S20



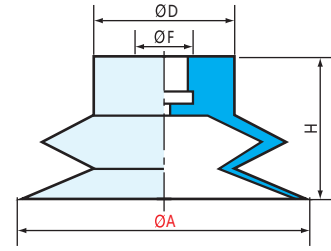
VSH2-S25...VSH2-S30



VSH2-M6...VSH2-M25



VSH2-M30...VSH2-M50



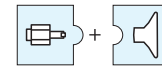
	Δ (N) ⁽¹⁾	∇ (N) ⁽¹⁾	ØA(mm)	H(mm)	ØD(mm)	ØF(mm)	SI
VSH2-S4	0.3	0.1	4	15	12	7	1.Y07303
VSH2-S6	0.5	0.2	6	15	12	7	1.Y07304
VSH2-S8	1.2	0.7	8	15	12	7	1.Y07305
VSH2-S10	1.7	0.9	10	15	12	7	1.Y07306
VSH2-S12	2.5	1.3	12	15	12	7	1.Y07307
VSH2-S15	2.7	1.3	15	18	15	7	1.Y07308
VSH2-S20	5.6	2.8	20	18	15	7	1.Y07309
VSH2-S25	7.9	4.0	25	17.5	15	7	1.Y07310
VSH2-S30	12	6	30	17.5	15	7	1.Y07311
VSH2-M6	0.5	0.2	6	18	15	11	1.Y07312
VSH2-M8	1.2	0.7	8	17	15	11	1.Y07313
VSH2-M10	1.7	0.9	10	17	15	11	1.Y07314
VSH2-M12	2.5	1.3	12	17	15	11	1.Y07315
VSH2-M15	2.7	1.3	15	18	15	11	1.Y07316
VSH2-M20	5.6	2.8	20	18	15	11	1.Y07317
VSH2-M25	7.9	4.0	25	18	15	11	1.Y07318
VSH2-M30	12	6	30	19	18	11	1.Y07319
VSH2-M35	13.9	6.9	35	19	18	11	1.Y07320
VSH2-M40	20.2	10.1	40	22	23	11	1.Y07321
VSH2-M50	40	20	50	24	24	11	1.Y07322

(1) Actual force of the suction cup in use with 65% vacuum and including a safety factor of 2 for horizontal handling and a factor of 4 for vertical handling.

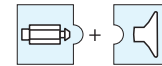


Types of assembly

Factory-crimped fitting:



Hollow shaft fitting:



Removable fitting:
(adapter and hollow screw)



	Vacuum Cup Fitting		Vacuum Cups
	VM11-M5 VFS (VFS Series Stem) VFST (VFST Series Stem)		VSH2-S4 ~ VSH2-S30
	VM10-G 1/8 VM27-M5 VFM (VFM Series Stem) VFMT (VFMT Series Stem)		VSH2-M6 ~ VSH2-M50

Materials	Shore Hardness	A Flexibility	Abrasion resistance	UV & weather resistance	Oil resistance	Heat resistance (in °C)	
SI: Translucent Silicone	50	+++	-	-	-	-40 to 220	Translucent

Profile - SUS Tube

Stents Module

Quick Changer

Grip Module

Air Nipper

Vacuum Module

Accessory Components

Vacuum Cups VSH3 Series

Profile · SUS Tube

Stents Module

Quick Changer

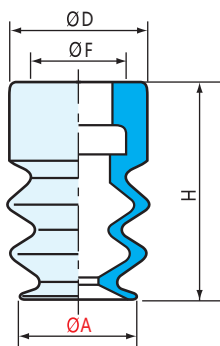
Grip Module

Air Nipper

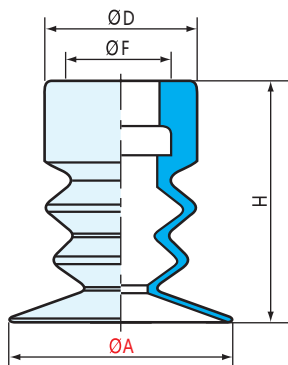
Vacuum Module

Accessory Components

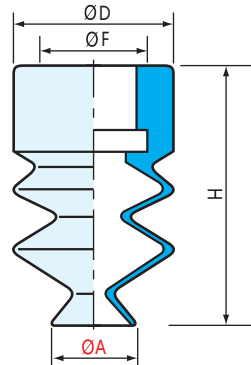
VSH3-S6...VSH3-S8



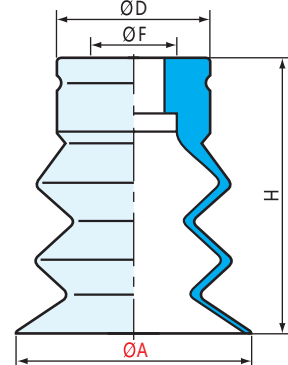
VSH3-S10...VSH3-S15



VSH3-M8...VSH3-M30



VSH3-M40...VSH3-M50



	Δ (N) ⁽¹⁾	ØA(mm)	H(mm)	ØD(mm)	ØF(mm)	SI
VSH3-S6	0.5	6	15	10	7	1.Y07323
VSH3-S8	1.0	8	15	10	7	1.Y07324
VSH3-S10	1.5	10	15	10	7	1.Y07325
VSH3-S12	2.8	12	15	10	7	1.Y07326
VSH3-S15	3.0	15	16	10	7	1.Y07327
VSH3-M8	1.0	8	20	15	11	1.Y07328
VSH3-M10	1.5	10	24	15	11	1.Y07329
VSH3-M12	2.8	12	24	15	11	1.Y07330
VSH3-M15	3.0	15	24	15	11	1.Y07331
VSH3-M20	4.6	20	25	15	11	1.Y07332
VSH3-M25	6.5	25	29	17	11	1.Y07333
VSH3-M30	12.1	30	35	17	11	1.Y07334
VSH3-M40	20.5	40	45	20	11	1.Y07335
VSH3-M50	25	50	43	20	11	1.Y07336

(1) Actual force of the suction cup in use with 65% vacuum and including a safety factor of 2 for horizontal handling and a factor of 4 for vertical handling.

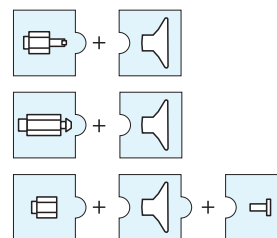




Types of assembly

Factory-crimped fitting:

Hollow shaft fitting:

Removable fitting:
(adapter and hollow screw)

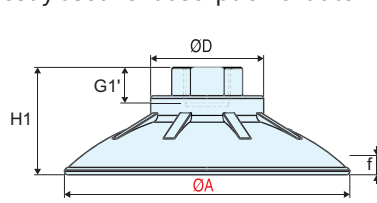
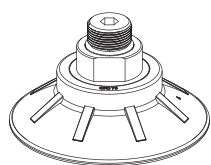


 Vacuum Cup Fitting	 Vacuum Cups
VM11-M5 VFS (VFS Series Stem) VFST (VFST Series Stem)	VSH3-S6~VSH3-S15
VM10-G 1/8 VM27-M5 VFM (VFM Series Stem) VFMT (VFMT Series Stem)	VSH3-M8~VSH3-M50

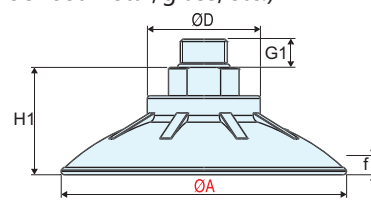
Materials	Shore Hardness	A Flexibility	Abrasion resistance	UV & weather resistance	Oil resistance	Heat resistance (in °C)	
SI: Translucent Silicone	50	+++	-	-	-	-40 to 220	Translucent

Vacuum Cups VFC Series

Functions: anti-skid, oil-proof and water-proof (mostly used for adsorption of automobile sheet metal, glass, etc.)



F38G Female fitting G3/8"



M38G Male fitting G3/8"

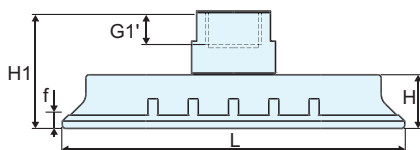
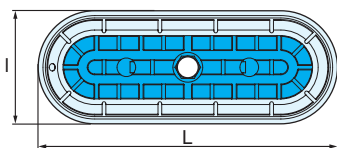
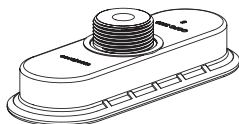
	ØA at rest	ØA gripping	V (cm ³)	F (N) ⁽¹⁾	F (N) ⁽¹⁾	R _{min}	R _{min}	Ø bore	H1	f ⁽³⁾
VFC 35	37	38.5	2.46	50	50	58	50	6.3	25	3
VFC 50	51	54	8.37	100	100	66	52	6.3	30	5.5
VFC 75	76	80	25.03	200	170	100	58	6.3	33	8
VFC 100	101	105.7	57.61	350	270	120	90	6.3	38	10
VFC 125	127	132	119.7	550	480	160	115	6.3	44	14



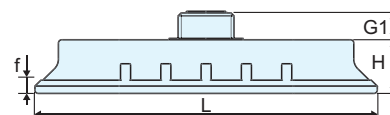
	G1	G1'	ØD(mm)	F (g) F38G	F (g) M38G	PN F38G	PN M38G
VFC 35	10	12.6	37	14	18	1.Y08448	1.Y08477
VFC 50	10	12.6	38	25	29	1.Y08449	1.Y08478
VFC 75	10	12.6	41	40	45	1.Y08450	1.Y08503
VFC 100	10	12.6	41	67	72	1.Y08451	1.Y08479
VFC 125	10	12.6	55	119	124	1.Y08452	1.Y08480

Vacuum Cups VOFC Series

Functions: anti-skid, oil-proof and water-proof (mostly used for adsorption of automobile sheet metal, glass, etc.)



F38G Female fitting G3/8"



M38G Male fitting G3/8"

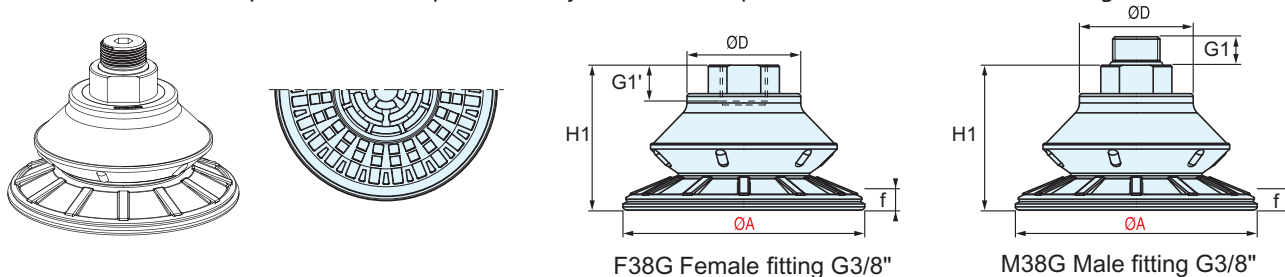
	I x L at rest	I x L gripping	V (cm ³)	F (N) ⁽¹⁾	F (N) ⁽¹⁾	R _{min}	R _{min}	Ø bore	H1	H
VOFC 2565	25x65	26.8x67	3.78	70	70	25	25	6	31.5	12.5
VOFC 3080	30x80	31.5x82	6.08	110	90	40	32	6	32	13
VOFC 4080	40x80	42x82	11.03	140	120	60	40	6	34	15
VOFC 50100	50x100	52.5x102.5	22.25	230	240	70	50	6	35	16



	G1	G1'	f ⁽²⁾	F (g) F38G	F (g) M38G	PN F38G	PN M38G
VOFC 2565	8	10	3	24	17	1.Y08453	1.Y08481
VOFC 3080	8	10	3	29	22	1.Y08454	1.Y08482
VOFC 4080	8	10	4.5	30	23	1.Y08455	1.Y08483
VOFC 50100	8	10	6	43	36	1.Y08484	1.Y08485

Vacuum Cups VBC Series

Functions: anti-skid, oil-proof and water-proof (mostly used for adsorption of automobile sheet metal, glass, etc.)



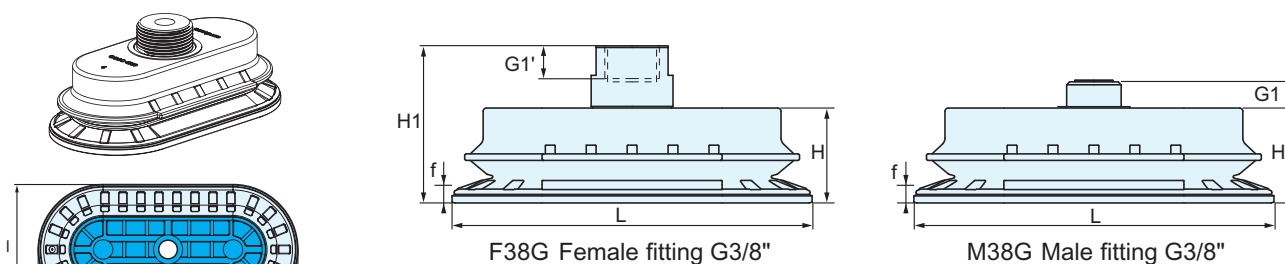
	ØA at rest	ØA gripping	V (cm ³)	Δ (N) ⁽¹⁾	Δ (N) ⁽¹⁾	R _{min}	R _{min}	Ø bore	H1	f ⁽³⁾
VBC 22	21.5	22	1.6	17	17	25	30	6.3	32	6
VBC 30 ⁽²⁾	32	34	5	40	40	30	32	6.3	31	8
VBC 45	47	48.7	11.47	70	90	36	45	6.3	36	11
VBC 60	62	64.5	25.31	140	130	44	62	6.3	41	14
VBC 85	85	88	66.54	230	240	65	115	6.3	51	22
VBC 115	115	119	141.47	420	390	84	140	6.3	53	24



	G1	G1'	ØD(mm)	Δ (g) F38G	Δ (g) M38G	PN F38G	PN M38G
VBC 22	10	12.6	37	10	14	1.Y08456	1.Y08486
VBC 30 ⁽²⁾	10	12.6	37	14	19	1.Y08457	1.Y08487
VBC 45	10	12.6	37	22	26	1.Y08458	1.Y08488
VBC 60	10	12.6	39	32	37	1.Y08459	1.Y08489
VBC 85	10	12.6	41	64	69	1.Y08460	1.Y08490
VBC 115	10	12.6	55	103	107	1.Y08461	1.Y08491

Vacuum Cups VOBC Series

Functions: anti-skid, oil-proof and water-proof (mostly used for adsorption of automobile sheet metal, glass, etc.)



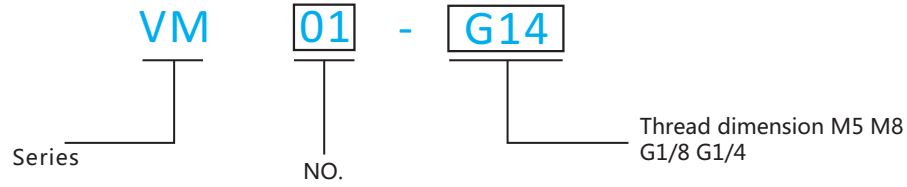
	I x L at rest	I x L gripping	V (cm ³)	Δ (N) ⁽¹⁾	Δ (N) ⁽¹⁾	R _{min}	R _{min}	Ø bore	H1	H
VOBC 3065	31x65	32.3x67	9.98	60	60	25	30	6	39	20
VOBC 4080	40x80	41.5x82	19.44	110	120	38	37	6	41	22
VOBC 55110	55x110	57x112.5	49.25	170	190	58	57	6	48	29
VOBC 70140	70x140	72x143	93.57	300	300	72	68	6	49	30



	G1	G1'	f ⁽²⁾	Δ (g) F38G	Δ (g) M38G	PN F38G	PN M38G
VOBC 3065	8	10	7	31	25	1.Y08462	1.Y08492
VOBC 4080	8	10	9	37	31	1.Y08463	1.Y08493
VOBC 55110	8	10	13	68	62	1.Y08464	1.Y08494
VOBC 70140	8	10	16	103	97	1.Y08465	1.Y08495

Vacuum Cup Fitting

Model representation methods



Vacuum Cup Fitting			
Dimension			
PN	7.Y00703	7.Y00709	7.Y00768
Model	VM02-G18	VM04-G14	VM06-G14
Weight	3.5g	7.0g	9.7g

Vacuum Cup Fitting			
Dimension			
PN	7.Y00767	1.Y05275	1.Y05274
Model	VM07-G18	VM08-M8	VM09-M5
Weight	3.3g	8.3g	1.4g

Profile · SUS Tube

Stents Module

Quick Changer

Grip Module

Air Nipper

Vacuum Module

Accessory Components

Vacuum Cup Fitting

Profile · SUS Tube

Stents Module




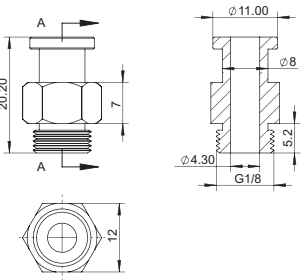
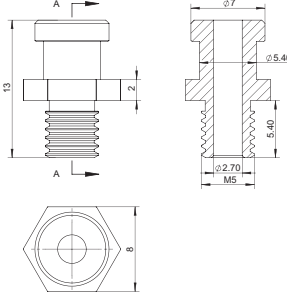
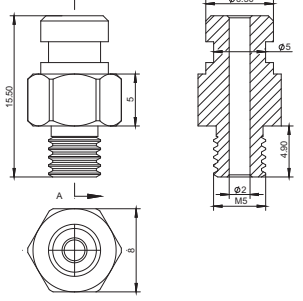
Quick Changer




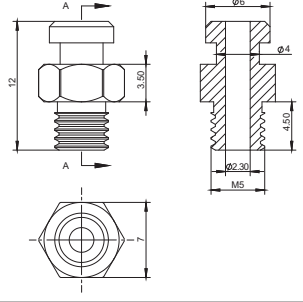
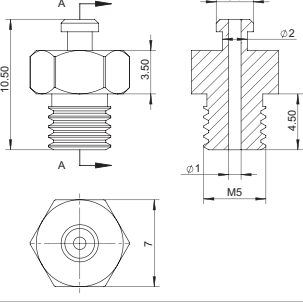
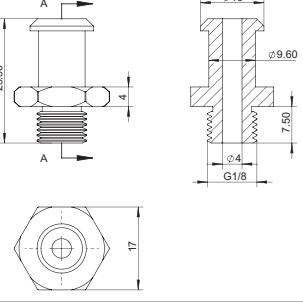
Grip Module

Air Nipper




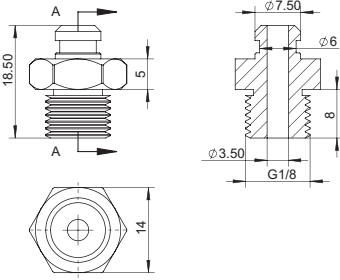
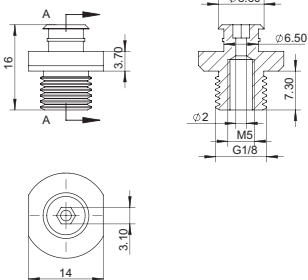
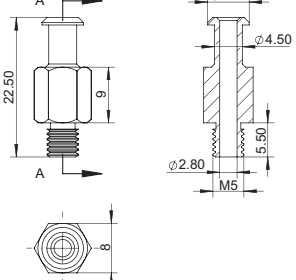
Vacuum Module




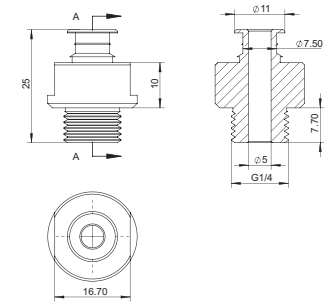
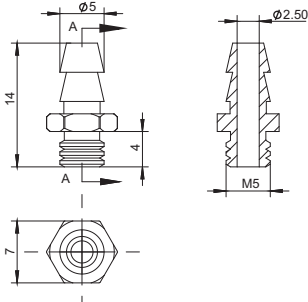
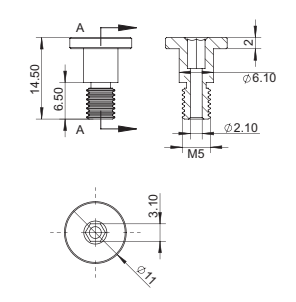
Accessory Components

Vacuum Cup Fitting			
Dimension			
PN	7.Y00902	1.Y05327	7.Y00762
Model	VM10-G18	VM11-M5	VM12-M5
Weight	3.7g	2.0g	1.2g

Vacuum Cup Fitting			
Dimension			
PN	7.Y00761	7.Y00760	7.Y00759
Model	VM13-M5	VM14-M5	VM15-G18
Weight	0.7g	0.5g	17.8g

Vacuum Cup Fitting

Vacuum Cup Fitting			
Dimension			
PN	7.Y00758	7.Y00757	1.Y05314
Model	VM16-G18	VM17-G18	VM18-M5
Weight	3.8g	2.9g	4.6g

Vacuum Cup Fitting			
Dimension			
PN	4.Y00058	1.Y01986	1.Y05790
Model	VM20-G14	VM21-M5	VM22-M5
Weight	9.5g	1.8g	2.9g

Profile · SUS Tube

Stents Module

Quick Changer

Grip Module

Air Nipper

Vacuum Module

Accessory Components

Vacuum Cup Fitting

Profile · SUS Tube

Stents Module




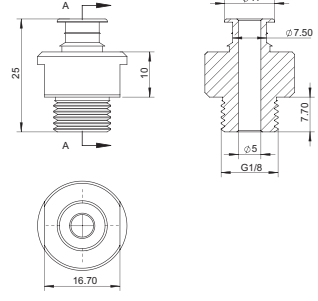
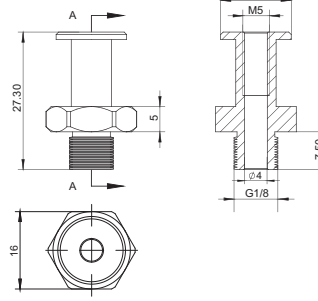
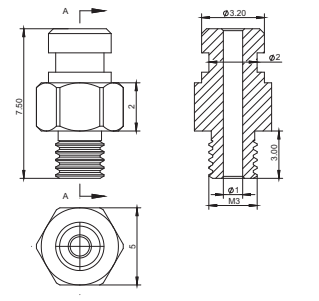
Quick Changer



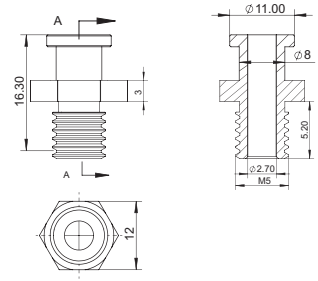
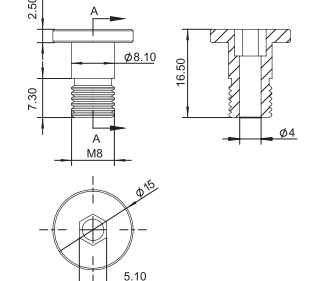
Grip Module

Air Nipper

Vacuum Module

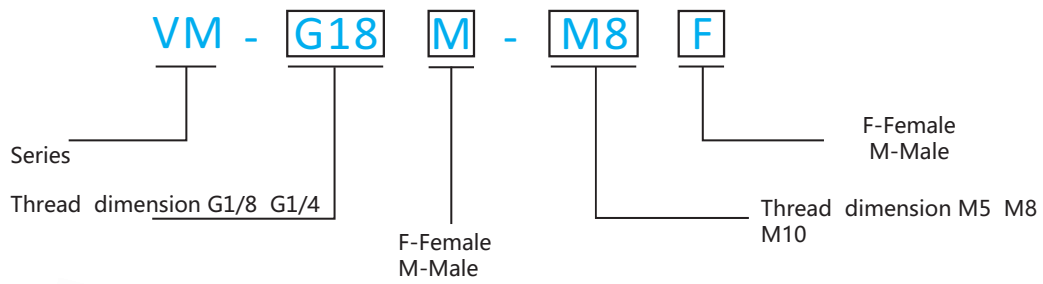
Accessory Components

Vacuum Cup Fitting			
Dimension			
PN	7.Y00900	7.Y00898	7.Y00928
Model	VM23-G18	VM24-G18	VM25-M3
Weight	8.9g	5.5g	0.2g

Vacuum Cup Fitting			
Dimension			
PN	1.Y01097	7.Y00475	
Model	VM27-M5	VM28-M8	
Weight	6.2g	1.9g	

Vacuum Cup Connector

Model representation methods

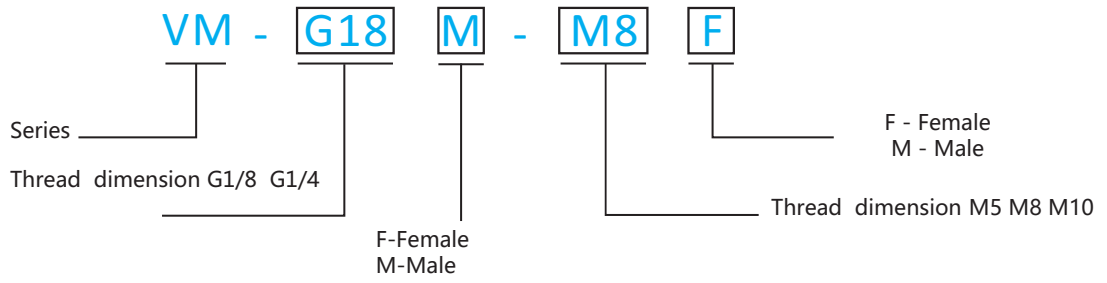



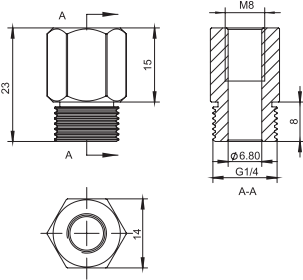
Vacuum Cup Connector			
Dimension			
PN	7.Y00808	7.Y00756	7.Y00755
Model	VM-G18M-M10M	VM-G14M-M10M	VM-G18M-M5F
Weight	4.5g	4.7g	2.9g

Vacuum Cup Connector			
Dimension			
PN	7.Y00754	7.Y00473	7.Y00474
Model	VM-G18M-M8F	VM-M5M-M8F	VM-M5M-G18F
Weight	6.2g	5.6g	4.9g

Vacuum Cup Connector

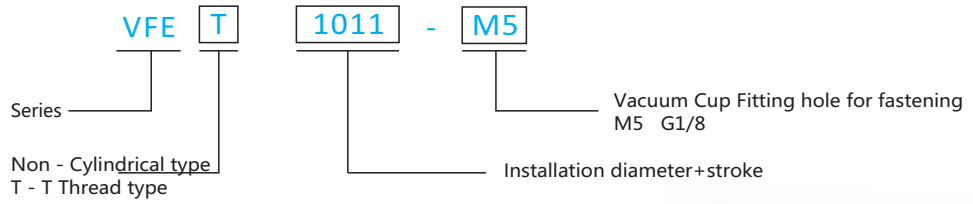
Model representation methods



Vacuum Cup Connector			
Dimension			
PN	7.Y00476		
Model	VM-G14M-M8F		
Weight	6.7g		

Vacuum Cup Suspensions

Model representation methods



The suspensions (or buffers, or level compensators) are used to keep the suction cups in position as the robot approaches. CRG offers a range specifically designed for Plastics applications. They are typically mounted on EAOTs (End Of Arm Toolings) with Mounting brackets.

Suspensions with smooth body

- VFR
- VFN
- VFE



Suspensions with threaded body

- VFRT
- VFNT
- VFET



Non-rotative suspensions

- VFN
- VFNT
- VFE
- VFET



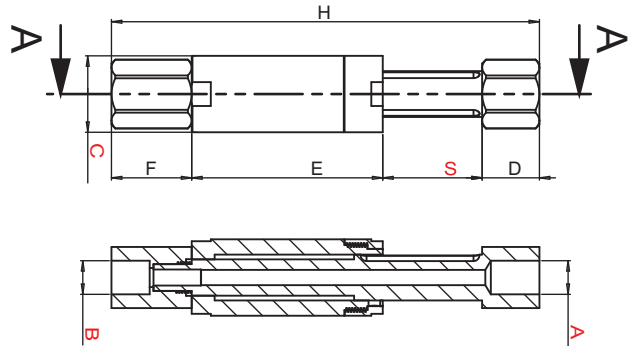
Rotative suspensions

- VFR
- VFRT

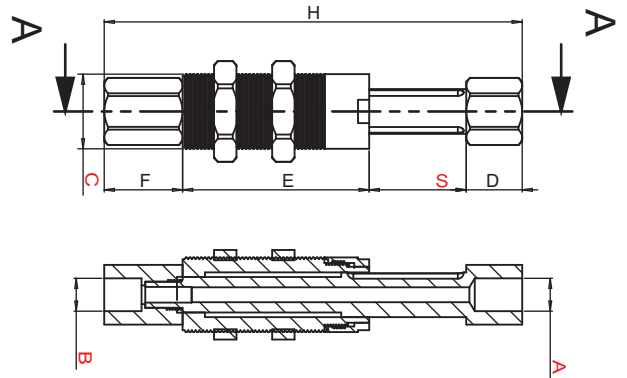


Non-rotative Suspensions

Body and rod in anodized aluminum.
 Non-rotative rod with high load capability.
 Pressure range: -1 ~ 8 bar.



PN	Model	A(mm)	B(mm)	C(mm)	D(mm)	E(mm)	F(mm)	G(mm)	H(mm)	S(mm)	Weight(g)
8.Y00064	VFNT1011-M5	M5	M5	Ø10	10	22	17	8	60	11	7g
8.Y00321	VFNT1021-M5	M5	M5	Ø10	10	41	17	8	89	21	11g
8.Y00065	VFNT1421-G18	G1/8	G1/8	Ø14	12	40	20	12	93	21	24g
8.Y00322	VFNT1436-G18	G1/8	G1/8	Ø14	12	60	20	12	128	36	44g
8.Y00066	VFNT2026-G18	G1/8	G1/8	Ø20	15	50	21	16	112	26	54g
8.Y00067	VFNT2051-G18	G1/8	G1/8	Ø20	15	84	21	16	171	51	80g



PN	Model	A(mm)	B(mm)	C(mm)	D(mm)	E(mm)	F(mm)	G(mm)	H(mm)	S(mm)	Weight(g)
8.Y00068	VFNT1011-M5	M5	M5	M10*1	10	22	17	8	60	11	12g
8.Y00323	VFNT1021-M5	M5	M5	M10*1	10	41	17	8	89	21	39g
8.Y00204	VFNT1421-G18	G1/8	G1/8	M14*1	12	40	20	12	93	21	51g
8.Y00383	VFNT1621-G18	G1/8	G1/8	M16*1	12	40	20	12	93	21	64g
8.Y00324	VFNT1436-G18	G1/8	G1/8	M14*1	12	60	20	12	128	36	72g
8.Y00384	VFNT1636-G18	G1/8	G1/8	M16*1	12	60	20	12	128	36	76g
8.Y00205	VFNT2026-G18	G1/8	G1/8	M20*1	15	50	21	16	112	26	82g
8.Y00206	VFNT2051-G18	G1/8	G1/8	M20*1	15	84	21	16	171	51	120g

Profile - SUS Tube

Stents Module

Quick Changer

Grip Module

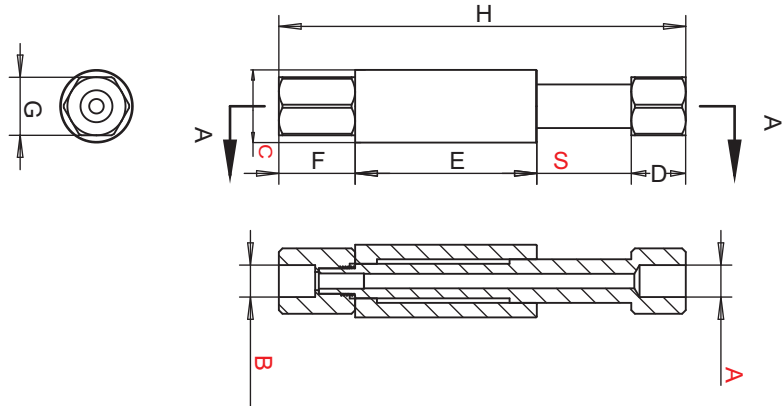
Air Nipper

Vacuum Module

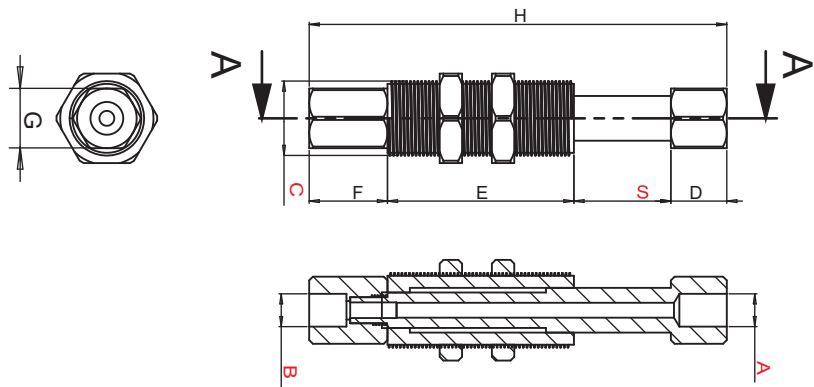
Accessory Components

Rotative Suspensions

Body and rod in anodized aluminum.
 Rotative rod.
 Pressure range: -1 ~8 bar.



PN	Model	A(mm)	B(mm)	C(mm)	D(mm)	E(mm)	F(mm)	G(mm)	H(mm)	S(mm)	Weight(g)
8.Y00060	VFR1011-M5	M5	M5	Ø10	3	22	17	8	53	11	11g
8.Y00325	VFR1021-M5	M5	M5	Ø10	3	41	17	8	82	21	17g
8.Y00061	VFR1421-G18	G1/8	G1/8	Ø14	12	40	20	12	93	21	23g
8.Y00326	VFR1436-G18	G1/8	G1/8	Ø14	12	60	20	12	128	36	40g
8.Y00062	VFR2026-G18	G1/8	G1/8	Ø20	15	50	21	16	112	26	50g
8.Y00063	VFR2051-G18	G1/8	G1/8	Ø20	15	84	21	16	171	51	77g



PN	Model	A(mm)	B(mm)	C(mm)	D(mm)	E(mm)	F(mm)	G(mm)	H(mm)	S(mm)	Weight(g)
8.Y00074	VFRT1011-M5	M5	M5	M10*1	3	22	17	8	53	11	14g
8.Y00327	VFRT1021-M5	M5	M5	M10*1	3	41	17	8	82	21	26g
8.Y00075	VFRT1421-G18	G1/8	G1/8	M14*1	12	40	20	12	93	21	32g
8.Y00381	VFRT1621-G18	G1/8	G1/8	M16*1	12	40	20	12	93	21	36g
8.Y00328	VFRT1436-G18	G1/8	G1/8	M14*1	12	60	20	12	128	36	60g
8.Y00382	VFRT1636-G18	G1/8	G1/8	M16*1	12	60	20	12	128	36	65g
8.Y00076	VFRT2026-G18	G1/8	G1/8	M20*1	15	50	21	16	112	26	70g
8.Y00077	VFRT2051-G18	G1/8	G1/8	M20*1	15	84	21	16	171	51	104g

Profile - SUS Tube

Stents Module

Quick Changer

Grip Module

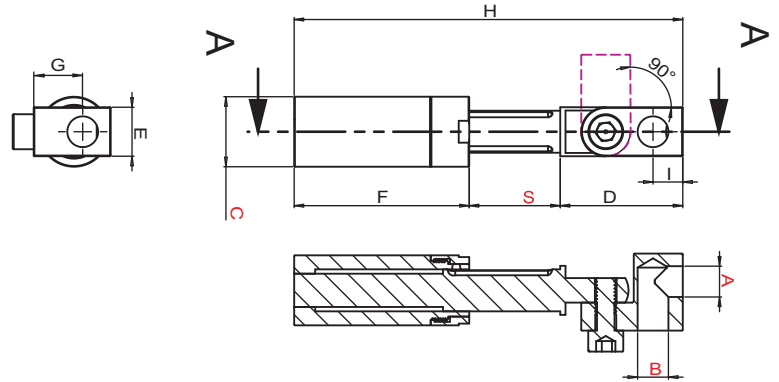
Air Nipper

Vacuum Module

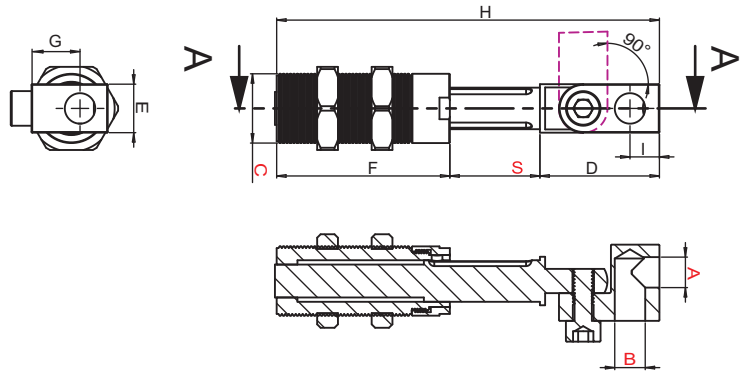
Accessory Components

Non-rotative Suspensions With Integral Elbow Arms

It is possible to set continuously the angle between 0° and +/-90°.
 External air feeding.
 Body and rod in anodized aluminum.
 Non-rotative rod with high load capability.
 Pressure range: -1 ~ 8 bar.



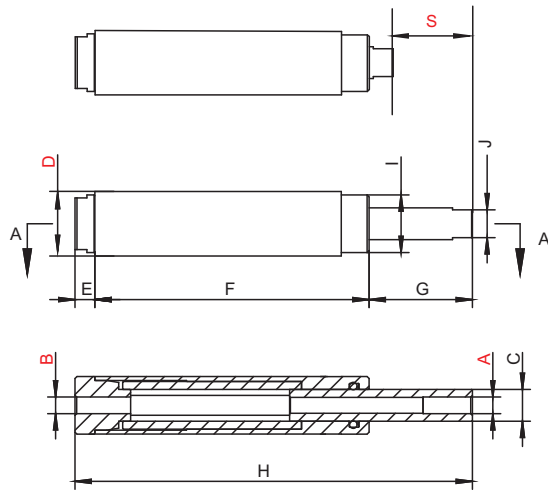
PN	Model	A(mm)	B(mm)	C(mm)	D(mm)	E(mm)	F(mm)	G(mm)	H(mm)	S(mm)	Weight(g)
8.Y00070	VFE1011-M5	M5	M5	Ø10	20	8	22	8	53	11	12g
8.Y00371	VFE1021-M5	M5	M5	Ø10	20	8	41	8	81	21	16g
8.Y00071	VFE1421-G18	G1/8	G1/8	Ø14	32	14	40	14	93	21	45g
8.Y00372	VFE1436-G18	G1/8	G1/8	Ø14	32	14	60	14	128	36	48g
8.Y00072	VFE2026-G18	G1/8	G1/8	Ø20	35	14	50	14	111	26	70g
8.Y00073	VFE2051-G18	G1/8	G1/8	Ø20	35	14	84	14	169.5	51	105g



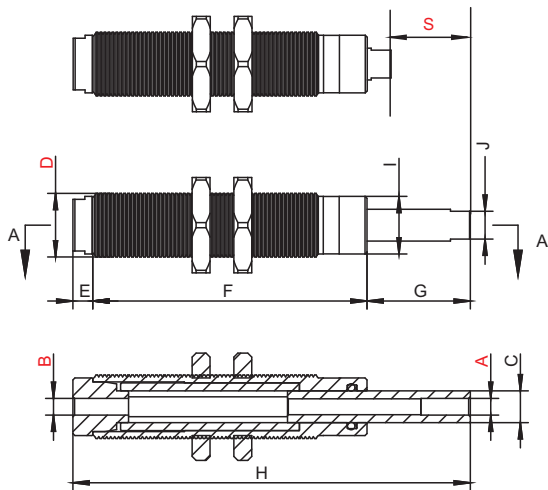
PN	Model	A(mm)	B(mm)	C(mm)	D(mm)	E(mm)	F(mm)	G(mm)	H(mm)	S(mm)	Weight(g)
8.Y00069	VFET1011-M5	M5	M5	M10*1	20	8	22	8	53	11	15g
8.Y00374	VFET1021-M5	M5	M5	M10*1	20	8	41	8	81	21	24g
8.Y00228	VFET1421-G18	G1/8	G1/8	M14*1	32	14	40	14	93	21	57g
8.Y00379	VFET1621-G18	G1/8	G1/8	M16*1	32	14	40	14	93	21	64g
8.Y00375	VFET1436-G18	G1/8	G1/8	M14*1	32	14	60	14	128	36	80g
8.Y00380	VFET1636-G18	G1/8	G1/8	M16*1	32	14	60	14	128	36	85g
8.Y00229	VFET2026-G18	G1/8	G1/8	M20*1	35	14	50	14	111	26	88g
8.Y00230	VFET2051-G18	G1/8	G1/8	M20*1	35	14	84	14	169.5	51	125g

Non-rotating suspension for fixed piping

The product is made of anodic aluminium.
 Built-in anti-rotation plastic piston.
 Built-in telescopic function of spring reset,
 tail vacuum intake fixed design.



PN	Model	A	B	C	D	E	F	G	H	I	J	S	Weight(g)
8.Y00313	VFC2030-G18	G1/8	G1/8	Φ13	Φ20	8	85	40	133	Φ18	12	30	60



PN	Model	A	B	C	D	E	F	G	H	I	J	S	Weight(g)
8.Y00277	VFCT1620-M5	M5	M5	Φ8	M16X1.0	5	69	26	100	Φ14.5	7	20	42.7
8.Y00314	VFCT2030-G18	G1/8	G1/8	Φ13	M20X1.0	8	85	40	133	Φ18	12	30	80

Profile · SUS Tube

Stents Module

Quick Changer

Grip Module

Air Nipper

Vacuum Module

Accessory Components

The Adsorption Of Pneumatic Fittings

Profile · SUS Tube

Stents Module

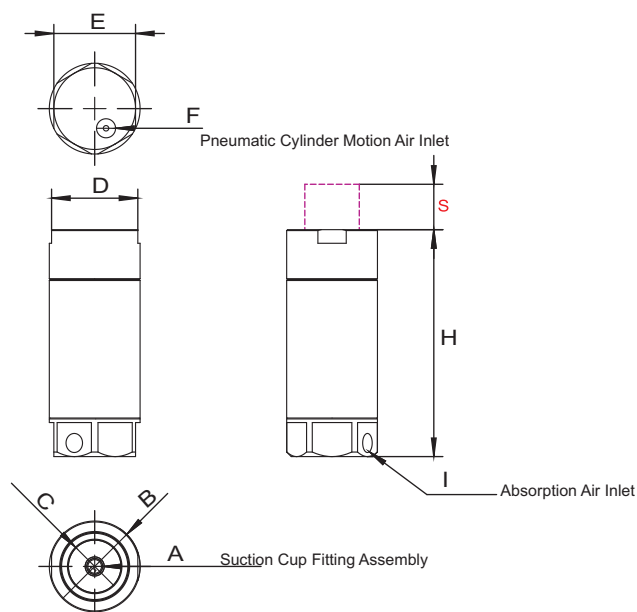
Quick Changer

Grip Module

Air Nipper

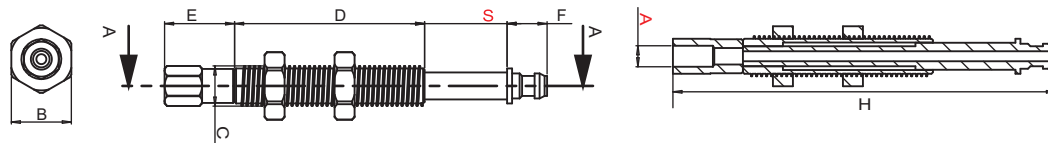
Vacuum Module

Accessory Components



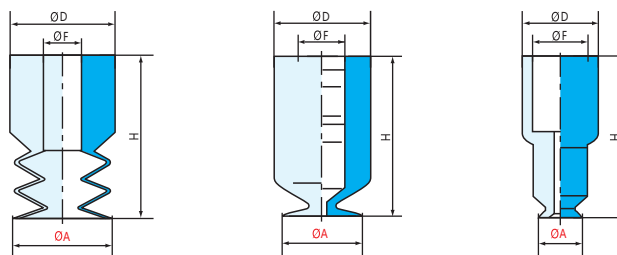
PN	Model	A(mm)	B(mm)	C(mm)	D(mm)	E(mm)	F(mm)	H(mm)	I(mm)	S(mm)	Weight(g)
8.Y00207	VFG20-10	M5	Φ20	Φ12	19	18	M5	50	M5	10	35g
8.Y00337	VFG20-20	M5	Φ20	Φ12	19	18	M5	65	M5	20	45g
8.Y00338	VFG30-20	G1/8	Φ30	Φ20	27	27	G1/8	72	G1/8	20	70g


Suction Stems



PN	Model	A(mm)	B(mm)	C(mm)	D(mm)	E(mm)	F(mm)	H(mm)	S(mm)	Weight(g)
1.Y05764	VFRT-7M5	M5	12	M8*1	21.5	14	8	51	7	15g
1.Y05765	VFRT-15M5	M5	12	M8*1	38	14	8	80	20	21g
1.Y05766	VFRT-30M5	M5	12	M8*1	38	14	8	90	30	22g

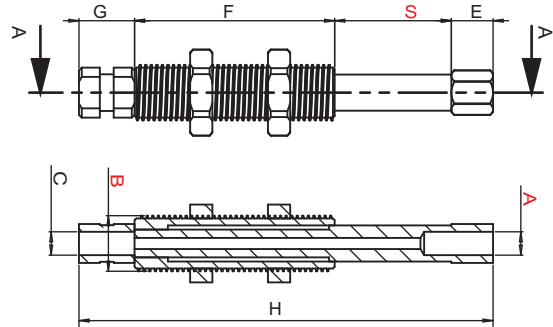
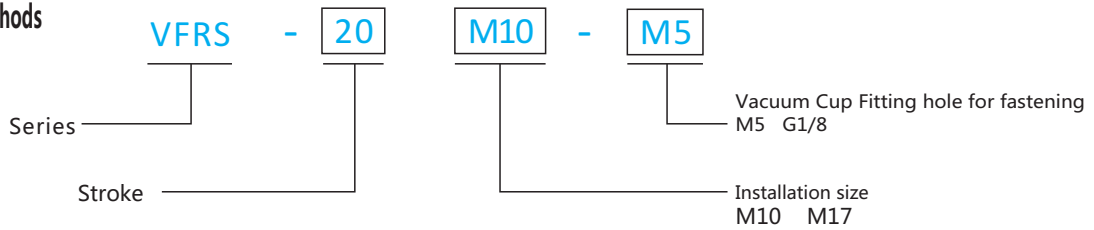
Vacuum Cups VFRT Series



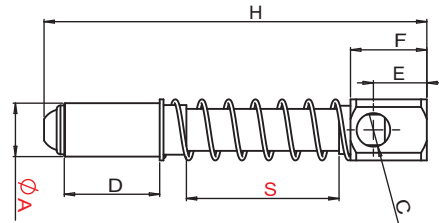
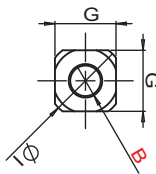
	ØA(mm)	H(mm)	ØD(mm)	ØF(mm)	SI(透明)
VSR-S2	2	12	7	5	1.Y00435
VSR-S4	4	14	7	5	1.Y00436
VSR-S6	6	12	7	5	1.Y03350
VSR-S8	8	12	7	5	1.Y00442
VSR3-S5	5	14	7	4	1.Y04179
VSR3-S7	7	14	7	4	1.Y04444

Suction Stems

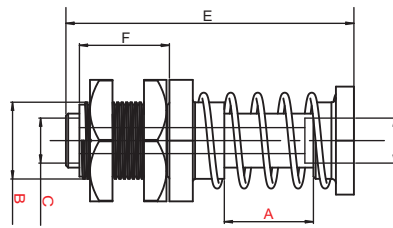
Model representation methods



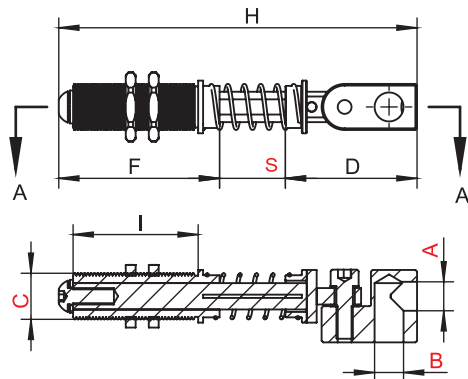
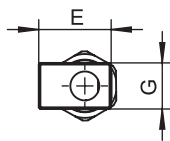
PN	Model	A(mm)	B(mm)	C(mm)	D(mm)	E(mm)	F(mm)	G(mm)	H(mm)	S(mm)	Weight(g)
4.Y00026	VFRS-20M10-M5	M5	M10*1	M5	14	7	36	10	73.5	20	27g
4.Y00023	VFRS-20M16-G1/8	G1/8	M16*1	G1/8	21	4	36	15	77	20	76g



PN	Model	A(mm)	B(mm)	C(mm)	D(mm)	E(mm)	F(mm)	G(mm)	H(mm)	I(mm)	S(mm)	Weight(g)
1.Y01452	VFM-4014-G1/8	Ø14	G1/8	G1/8	25	14	20	16	100	Ø20	40	48g
1.Y01451	VFM-2020-G1/4	Ø20	G1/4	G1/8	48	15	26	22	113	Ø27	20	136g



PN	Model	A(mm)	B(mm)	C(mm)	D(mm)	E(mm)	F(mm)	G(mm)	Weight(g)
1.Y01453	VFL-20M17-G1/8	20	M17*1	G1/8	27	64	20	G1/8	119g



PN	Model	A(mm)	B(mm)	C(mm)	D(mm)	E(mm)	F(mm)	G(mm)	H(mm)	I(mm)	S(mm)	Weight(g)
8.Y00319	VFMT-20M14-G1/8	G1/8	G1/8	M14X1.0	40	22	49	14	109	38	20	97g
8.Y00320	VFMT-40M14-G1/8	G1/8	G1/8	M14X1.0	40	22	64	14	144	50	40	123g

Profile · SUS Tube

Stents Module

Quick Changer

Grip Module

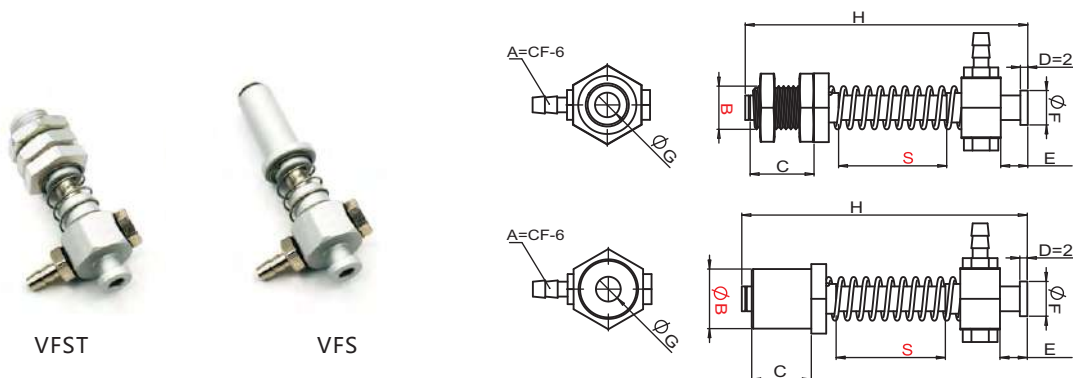
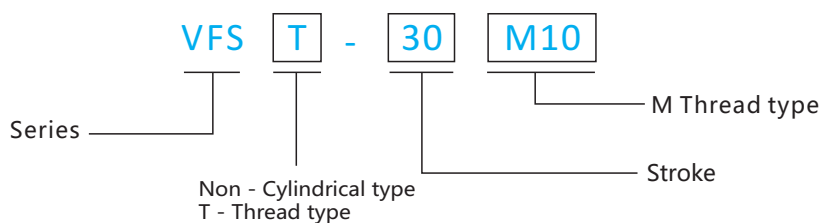
Air Nipper

Vacuum Module

Accessory Components

Suction Stems

Model representation methods



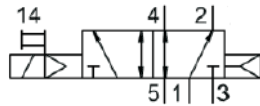
PN	Model	B(mm)	C(mm)	E(mm)	F(mm)	G(mm)	H(mm)	S(mm)	Weight(g)
1.Y04942	VFST-5M10	M10*1	18	5.5	Ø7	Ø3.4	40.5	5	14g
1.Y00533	VFST-10M10	M10*1	18	5.5	Ø7	Ø3.4	45.5	10	15g
1.Y00531	VFST-20M10	M10*1	18	5.5	Ø7	Ø3.4	55.5	20	15g
1.Y01566	VFST-30M10	M10*1	18	5.5	Ø7	Ø3.4	65.5	30	16g
1.Y05260	VFS-0508	Ø8	18	5.5	Ø7	Ø3.4	40.5	5	9g
1.Y05756	VFS-0512	Ø12	18	5.5	Ø7	Ø3.4	40.5	5	13g
1.Y05261	VFS-1008	Ø8	18	5.5	Ø7	Ø3.4	45.5	10	9g
8.Y00007	VFS-1012	Ø12	18	5.5	Ø7	Ø3.4	45.5	10	14g
1.Y05262	VFS-2008	Ø8	18	5.5	Ø7	Ø3.4	55.5	20	10g
8.Y00008	VFS-2012	Ø12	18	5.5	Ø7	Ø3.4	55.5	20	14g
1.Y05757	VFS-3008	Ø8	18	5.5	Ø7	Ø3.4	65.5	30	11g
1.Y05758	VFS-3012	Ø12	18	5.5	Ø7	Ø3.4	65.5	30	15g
1.Y00527	VFMT-5M12	M12*1	18	9	Ø11	Ø4.6	44	5	20g
1.Y00522	VFMT-10M12	M12*1	18	9	Ø11	Ø4.6	49	10	21g
1.Y00523	VFMT-20M12	M12*1	18	9	Ø11	Ø4.6	59	20	22g
1.Y00521	VFMT-30M12	M12*1	18	9	Ø11	Ø4.6	69	30	24g
1.Y05759	VFM-0512	Ø12	18	9	Ø11	Ø4.6	44	5	15g
1.Y05760	VFM-0520	Ø20	18	9	Ø11	Ø4.6	44	5	29g
1.Y03068	VFM-1012	Ø12	18	9	Ø11	Ø4.6	49	10	16g
1.Y05761	VFM-1020	Ø20	18	9	Ø11	Ø4.6	49	10	29g
1.Y04279	VFM-2012	Ø12	18	9	Ø11	Ø4.6	59	20	18g
1.Y05762	VFM-2020	Ø20	18	9	Ø11	Ø4.6	59	20	31g
1.Y03069	VFM-3012	Ø12	18	9	Ø11	Ø4.6	69	30	19g
1.Y05763	VFM-3020	Ø20	18	9	Ø11	Ø4.6	69	30	32g

Profile · SUS Tube
 Stents Module
 Quick Changer
 Grip Module
 Air Nipper
 Vacuum Module
 Accessory Components

Solenoid Valve VUVG-LK



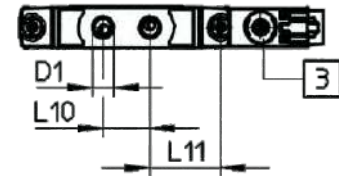
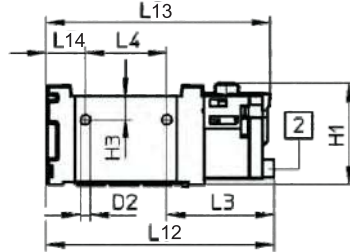
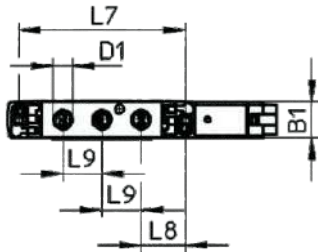
Single pipe valve VUVG-LK,24VDC, Inner leader H2 Junction box with 0.5m cable



accessory seal a pack of ten

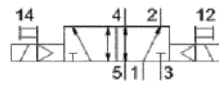


M52 Two-position five-way single electronic control air reset



2 horizontal electrical interface 3 manual button

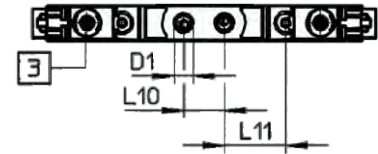
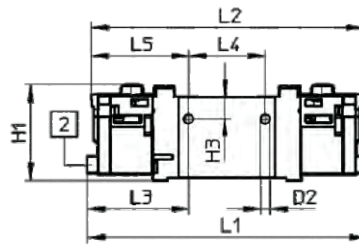
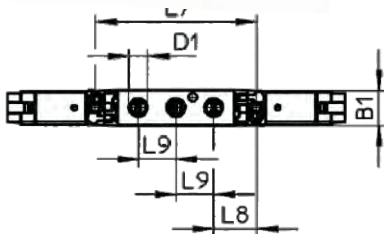
PN	Model	B1	D2	H1	H3	L3	L4	L7	L8	L9	L10	L11	L12	L13	L14	(l/min)
1.Y06040	VUVG-LK14-M52-AT-G18-1H2L-S	14.4	3.3	34.8	3.2	40.1	37	66.5	18.4	14.9	17	24.8	95.6	94.4	17.7	660



accessory seal a pack of ten

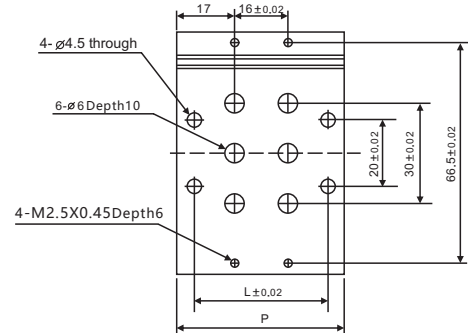
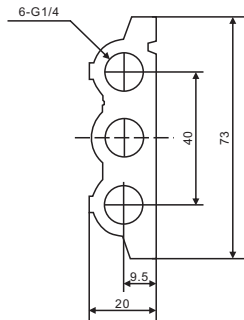


B52 Two-position double electronic control



2 horizontal electrical interface 3 manual button

PN	Model	B1	D2	H1	H3	L1	L2	L3	L4	L5	L7	L8	L9	L10	L11	(l/min)
1.Y06288	VUVG-LK14-B52-T-G18-1H2L-W1-S	14.4	3.3	34.8	3.2	118.9	116.4	40.1	37	39.7	66.5	18.4	14.9	17	24.8	660



PN	1.Y06289	1.Y06290	1.Y06291	1.Y06292	1.Y06293	1.Y06294	1.Y06042	1.Y07453	1.Y06295
Model	VUVG1/8-LK-2F	VUVG1/8-LK-3F	VUVG1/8-LK-4F	VUVG1/8-LK-5F	VUVG1/8-LK-6F	VUVG1/8-LK-7F	VUVG1/8-LK-8F	VUVG1/8-LK-9F	VUVG1/8-LK-10F
Row	2	3	4	5	6	7	8	9	10
L	40	56	72	88	104	120	136	152	168
P	50	66	82	98	114	130	146	162	178

PN	1.Y09872	1.Y09873	1.Y09874	1.Y09875	1.Y09876	1.Y09877	1.Y09878	1.Y09879	1.Y09880	1.Y09881
Model	VUVG1/8-LK-11F	VUVG1/8-LK-12F	VUVG1/8-LK-13F	VUVG1/8-LK-14F	VUVG1/8-LK-15F	VUVG1/8-LK-16F	VUVG1/8-LK-17F	VUVG1/8-LK-18F	VUVG1/8-LK-19F	VUVG1/8-LK-20F
Row	11	12	13	14	15	16	17	18	19	20
L	184	200	216	232	248	264	280	296	312	328
P	194	210	226	242	258	274	290	306	322	338

Profile - SUS Tube

Stents Module

Quick Changer

Grip Module

Air Nipper

Vacuum Module

Accessory Components

Vacuum Module VPN-20 Series

Profile · SUS Tube

Stents Module

Quick Changer

Grip Module

Air Nipper

Vacuum Module

Accessory Components



Basic data

Item	Content
Body size [mm]	80×20×87
Working temperature [°C]	-5~50
Net weight [g]	228
Power consumption	24VDC, 1.3W

PN	1.Y05963
Model	VPN-20

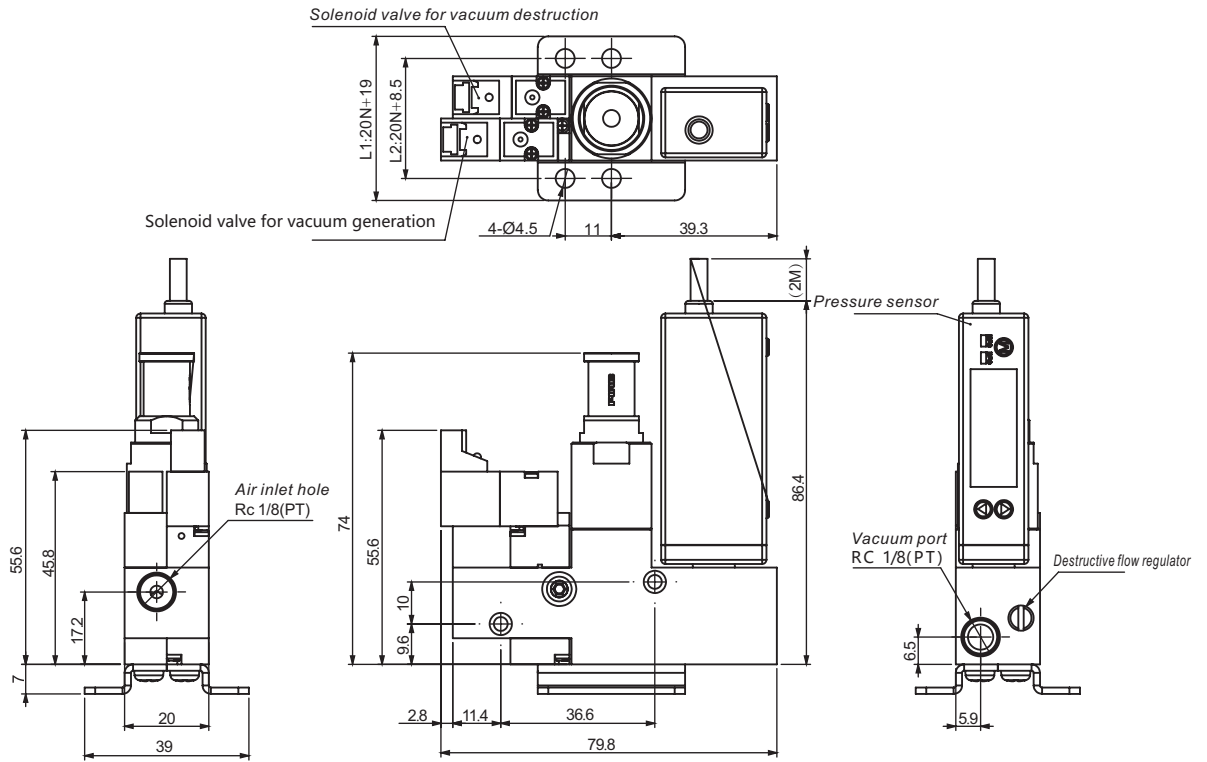
- The use of multistage vacuum generator has the characteristics of high vacuum and low consumption.
- Miniature solenoid valve is adopted to control vacuum establishment and vacuum removal.
- 20mm width design for multi vacuum combination, convenient warranty, smaller size.

Technical data

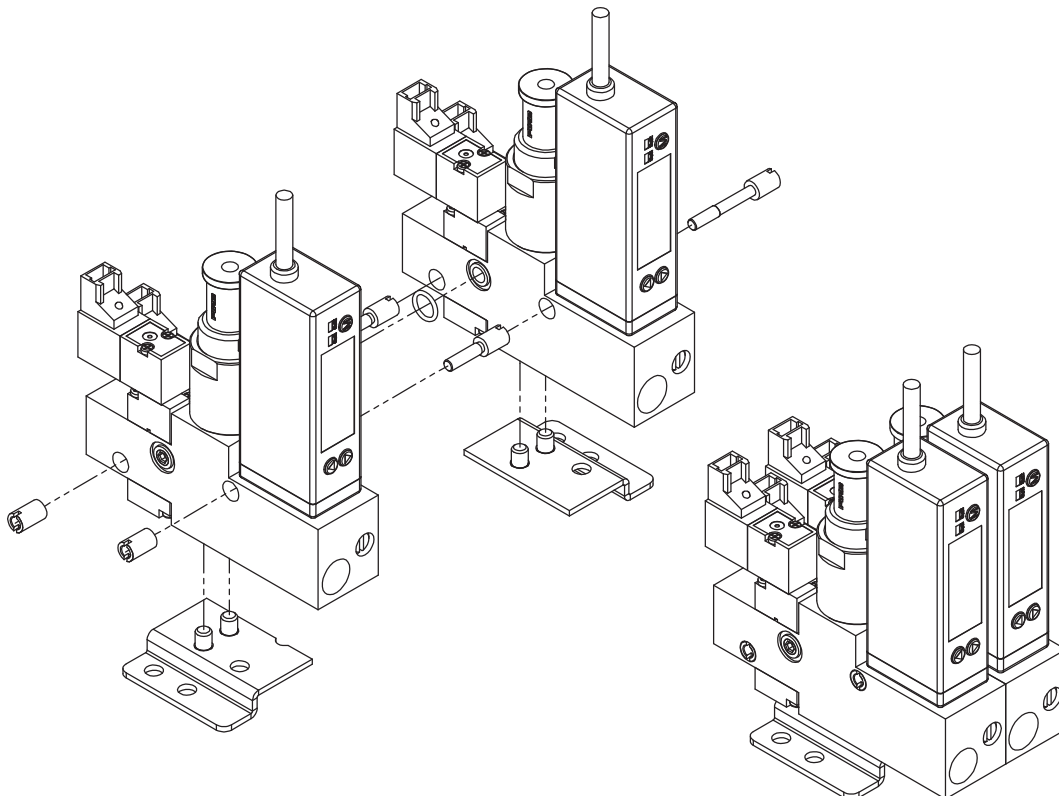
Item		High vacuum type		
		0.35	0.4	0.5
Working gas pressure	[Mpa]	0.35	0.4	0.5
Maximum vacuum	[-kpa]	84	88	88
Maximum vacuum flow	[L/min]	39.6	40.2	40.2
Air consumption	[L/min]	28.4	31.8	34.2

Vacuum Module VPN-20 Series

Dimension description



N	1	2	3	4	5	6	7	8	9	10
L1	39.0	59.0	79.0	99.0	119.0	139.0	159.0	179.0	199.0	219.0
L2	28.5	48.5	68.5	88.5	108.5	128.5	148.5	168.5	188.5	200.5



Profile - SUS Tube

Stents Module

Quick Changer

Grip Module

Air Nipper

Vacuum Module

Accessory Components

Vacuum Module VPD Series

Profile - SUS Tube

Stents Module

Quick Changer

Grip Module

Air Nipper

Vacuum Module

Accessory Components

Advantages

- Integrated electric vacuum and blow-off control Can be adapted to all branches
- Optimized performance for handling all types of objects
- Reduced wiring and easy-to-use
- Modular design thanks to the different options Light and compact
- No clogging thanks to the through type silencer Silent operation

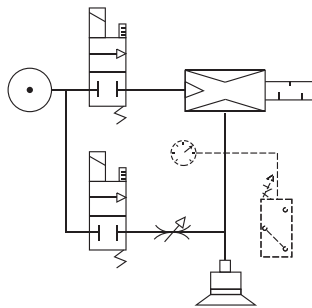
Characteristics

(PN)	(Model)	Ø Nozzle(mm)	Air consumed (NI/min)	Max. vacuum(%)			Air drawn in(NI/min)		
				X	T	N	X	T	N
1.Y05964	VPD-12	1.2	67	40	75	90	150	63	45
1.Y05965	VPD-15	1.5	100	50	75	90	180	95	70
1.Y05966	VPD-20	2	180	50	75	90	250	160	125

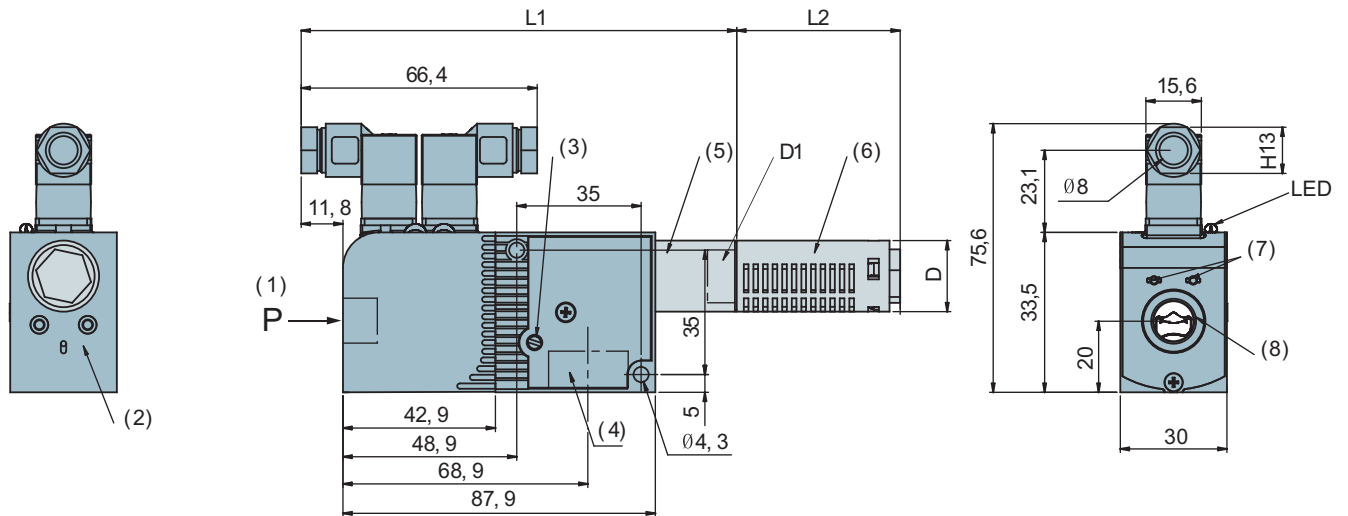
As standard, versions N and T are delivered with silencer S and version X with silencer K. Only exception, the VPD 30 is fitted with silencer K.

Specifications

Supply	Non-lubricated filtered air, 2 to 6 bar
Optimum pressure	4 bar
Voltage	24V DC
Power	0.7 W
Material	POM - 2017A - Cu Zn - PA6 15% FG
Temperature	0 to 60°C / 32 to 140°F
Number of valve operations	10 million
Operating frequency	Maximum 2 Hz
Function	N.C. (N.O. on request)



Dimensions



- (1) 4 bar compressed air tank
- (2) Vacuum switch option mounting zone
- (3) Blow-off adjustment
- (4) Vacuum 1/2 Gas

- (5) Exhaust
- (6) Silencer model S or K
- (7) Manual controls
- (8) 1/4 Gas



PN	Model	L1 (mm)		L2 (mm)			D (mm)		D1 (gas)	
		X	N/T	S(N/T)	K(N/T)	K(X)	X	N/T	X	N/T
1.Y05964	VPD-12	118	123	46	68	121	30	20	1/2	1/4
1.Y05965	VPD-15	118	133	46	68	121	30	20	1/2	1/4
1.Y05966	VPD-20	118	118	62	121	121	30	30	1/2	1/2

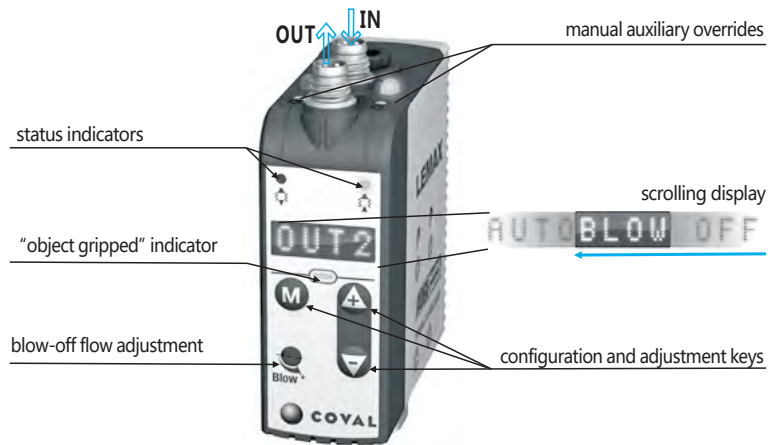
Vacuum Module VP-LEMAX & LCPX Series

Smart communication

The adjacent illustration presents the display panel which enables:

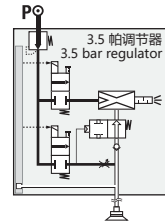
- Initial settings
- Any adjustments
- Production monitoring
- Maintenance

In particular, the "no ASC" alert, helps to start maintenance operations in order to return to "ASC" operation, which is especially energy saving.

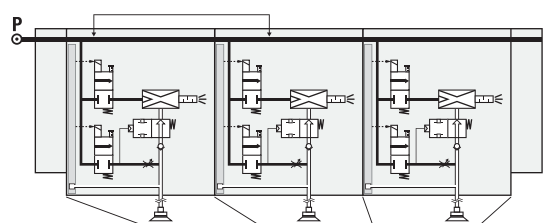


Selection guide

Network pressure: 4 to 8 bar



Common pressure unit



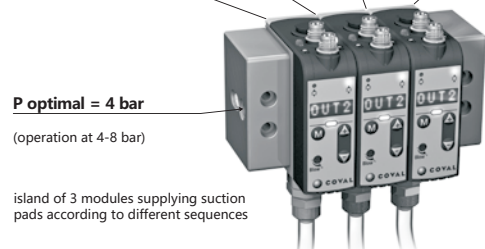
Stand-alone or island modules?

Stand-alone modules are suitable for the most common applications: one module controls one or more suction pads which all operate according to the same sequence. When several suction pads are operating according to different sequences, multiple modules are required, which can be:

- several autonomous modules, OR
- a group of these modules with an internal common pressure unit.

The illustrations opposite guide the selection:

- autonomous modules are coupled with integrated pressure regulators (see p. 9/8)
- in a group, the integrated regulator is eliminated: to maintain the advantage of economical and silent operation, it is recommended to reduce the group's common pressure supply pressure to 4 bar.



P optimal = 4 bar

(operation at 4-8 bar)

island of 3 modules supplying suction pads according to different sequences

PN	Model
1.Y05969	LEMAX90X14S
1.Y05970	LCPX90X14SL15PQ1

Power determined by the venturi nozzle diameter
The table shows the power levels generated by each of the nozzle diameters available: when the module is operating "ASC" off, a larger nozzle draws and consumes more compressed air.

On the other hand, during "ASC" operation, a large nozzle quickly reaches the vacuum threshold generating power shut-off.

In conclusion:

- A large nozzle enables quicker gripping without consuming more during "ASC" operation.
- A small nozzle does not consume less when operating with "ASC" off.

Selecting the nozzle diameter					
Ø nozzle	Venturi characteristics during "ASC" off operation		"ASC" operation gripping at 65% vacuum vacuum shutoff at 75% Time for a volume of 1L		
	air drawn in	air consumed	grip time (65% vacuum)	time to 75% vacuum	air consumed
1.4mm	70 NI/min	90 NI/min	0.99 s	1.38 s	2.2 NI



nozzle diameter



LEMAX

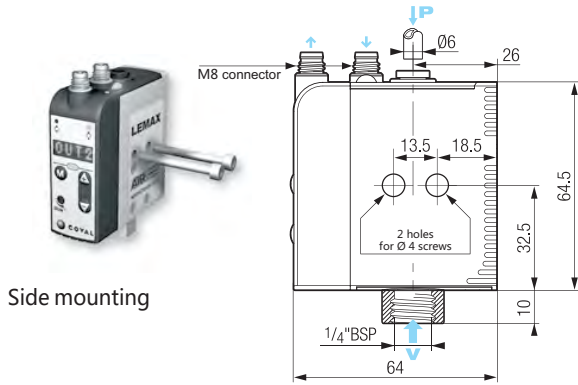


LCPX

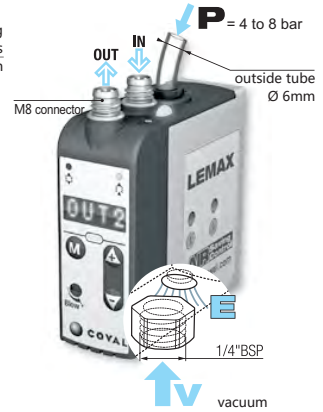
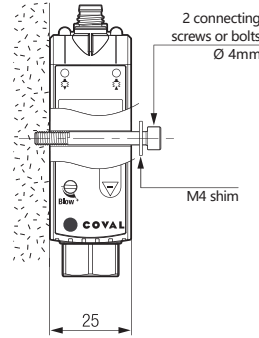
Vacuum Module VP-LEMAX & LCPX Series

Dimensions Mounting options

Stand-alone modules



Side mounting

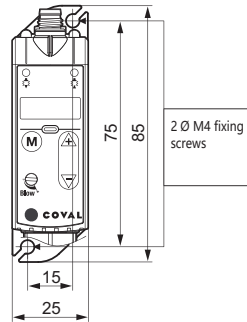
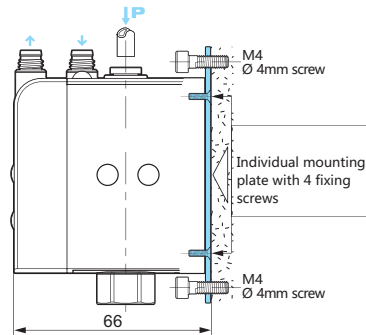


For front mounting, order the necessary kit, in addition to the module:

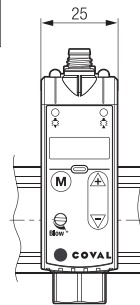
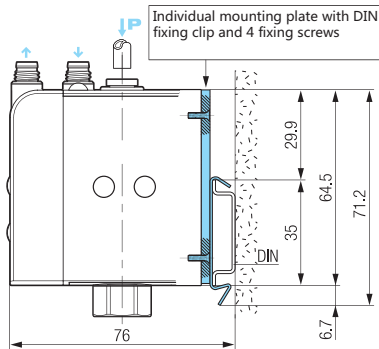
Front mounting kit:
1 plate + 4 screws



Front mounting



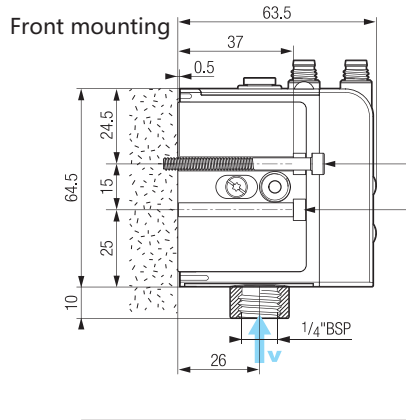
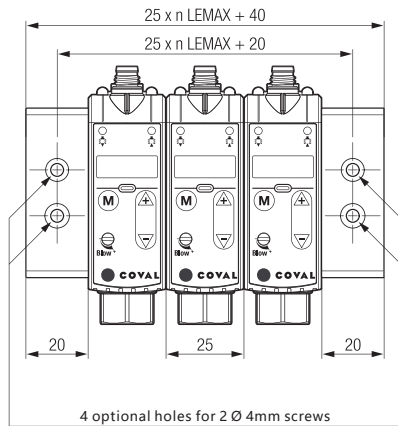
Mounting on DIN rail



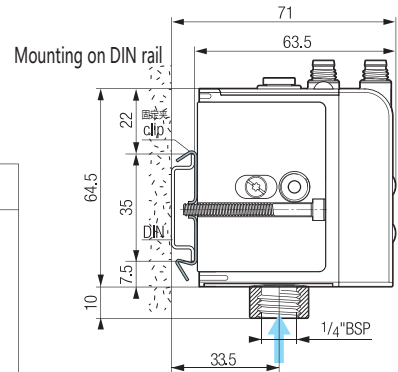
A module can be clipped onto a DIN rail. For this purpose, the module must first be equipped with an individual DIN installation plate, ordered separately:

DIN rail mounting kit: 1 plate/clip + 4 screws

2- Islands

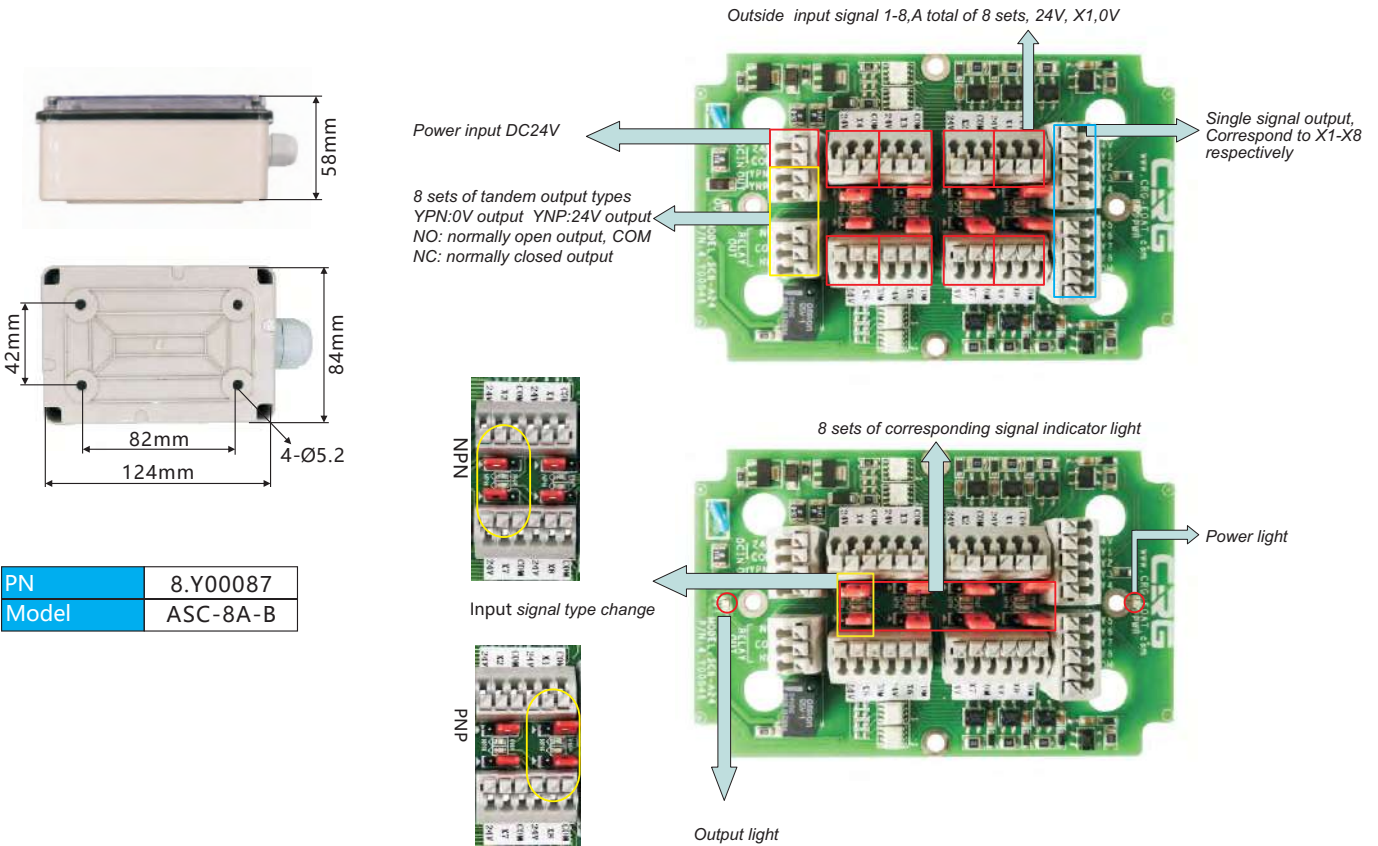


2 optional holes for 1 Ø 4mm connecting screw, at each end of the island

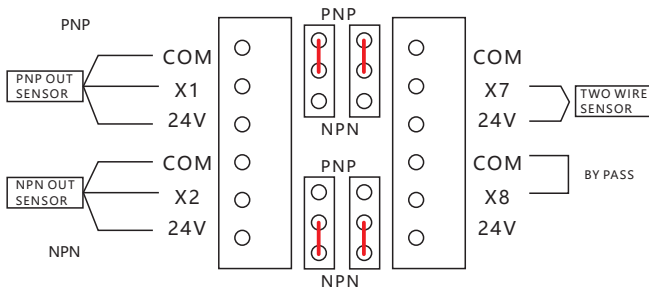


DIN rail mounting kit: 2 clips + 2 screws

Structure description



Operation description



Electrical parameters

	Minimum	Recommend	Maximum	Unit
supply voltage	20	24	28	V
Value of effective current at input	5	7	10	mA
Transistor Output Maximum Load			100	mA
Relay Output Load Capability (Resistive Load)			0.5A@125VAC 1A@24VDC	
Maximum switching frequency		TBD		Hz

Function description

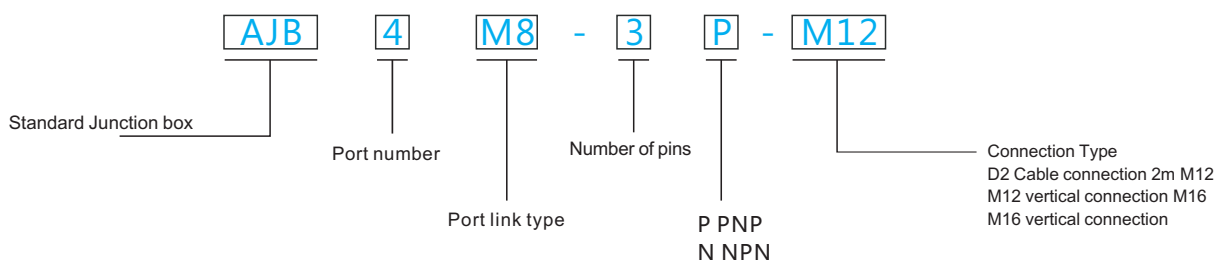
1. To solve the problem that the power supply of multiple sensors is not connected as one line, the problem of space occupation is cancelled. The maximum 8 groups can be used, and less than 8 groups need to be shorted.
2. Output types can be changed at present for NPN, PNP, NC, NO, and four output forms.
3. You can also crawl the signal individually, and grab the signal type for the actual type of sensor.
4. Observe the induction state of each inductor and the status of the output.
5. Types of sensors and output is not available, skipping type conversion, minus the replacement work of the sensor.

Junction box

Housing material: Nylon/Black
 Coupling nut: Brass/Nicket
 Contact carrier: TPU/Black
 Pin: Brass/Gold
 IP degree: IP67
 Load: 10~30VDC, 2 A/port, 6 A total, LED 10mA
 Temperature range: -30...+80°C
 Single channel PNP or NPN



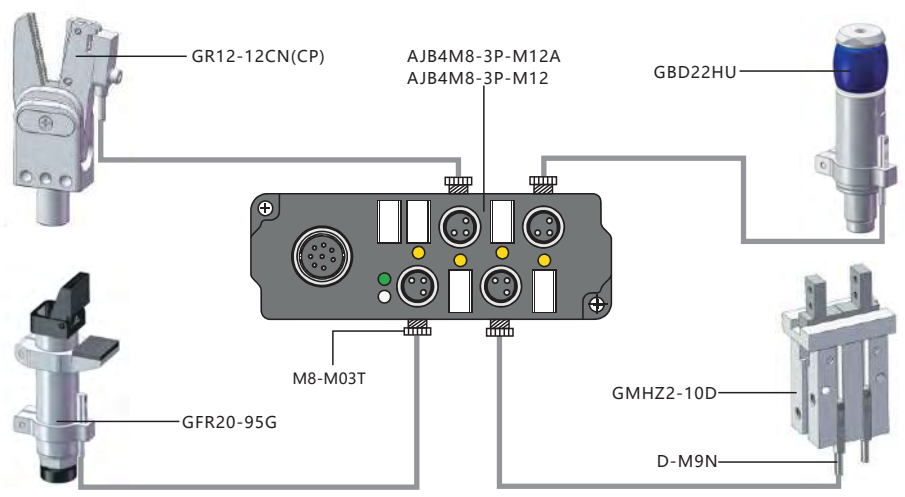
Model representation methods



PN	Model	Type	Weight
4.Y00487	AJB4M8-3P-M12	PNP	110g
4.Y00488	AJB4M8-3N-M12	NPN	110g
4.Y00491	AJB8M8-3P-M16	PNP	120g
4.Y00492	AJB8M8-3N-M16	NPN	120g
4.Y00495	AJB8M8-3P-D2	PNP	300g
4.Y00496	AJB8M8-3N-D2	NPN	300g

Application example

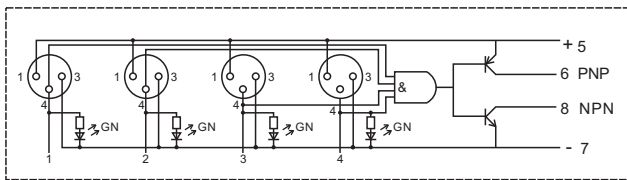
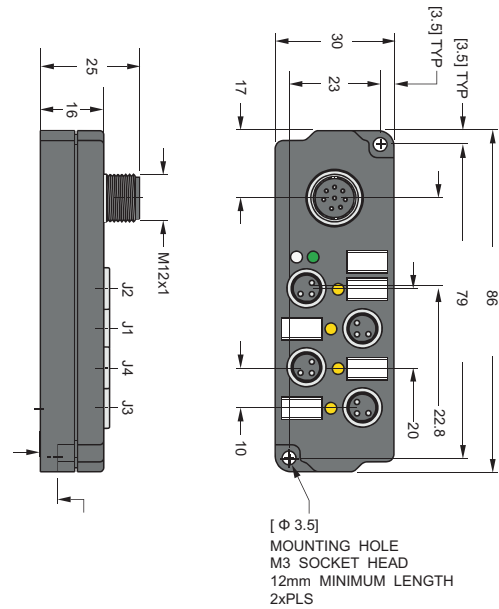
1. Single channel PNP or NPN
2. The four way input is effective at the same time, and outputs a set of signals to realize the output function of "and circuit".



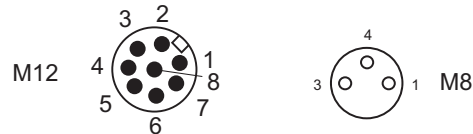
Profile · SUS Tube
 Stents Module
 Quick Changer
 Grip Module
 Air Nipper
 Vacuum Module
 Accessory Components

M8 4 ports Junction box

Housing material: Nylon/Black
 Coupling nut: Brass/Nicket
 Contact carrier: TPU/Black
 Pin: Brass/Gold
 IP degree: IP67
 Load: 10~30VDC, 2 A/port, 6 A total, LED 10mA
 Temperature range: -30...+80°C



AJB4M8-3P-M12



Joint



8 pins M12 Field wirable connector

PN	1.Y07461
Model	ELK8112-0/9

3 pins M8 Field wirable connector

PN	1.Y06722
Model	M8-M03T

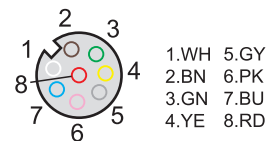


8 pins M12 pre-moulding Cable

货号(PN)	1.Y07462
型号(Model)	ELK8-2M/P00

Pinout

Female



PN	Model	Type	Weight
4.Y00487	AJB4M8-3P-M12	PNP	110g
4.Y00488	AJB4M8-3N-M12	NPN	110g

Profile · SUS Tube
 Stents Module
 Quick Changer
 Grip Module
 Air Nipper
 Vacuum Module
 Accessory Components

M8 8 ports Junction box

Profile · SUS Tube

Stents Module

Quick Changer

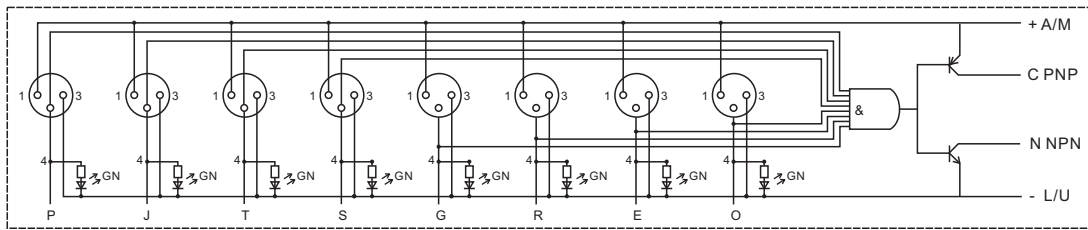
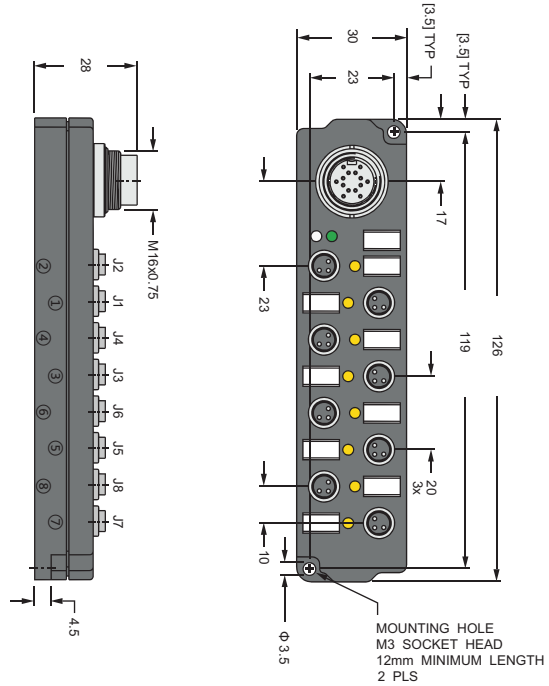
Grip Module

Air Nipper

Vacuum Module

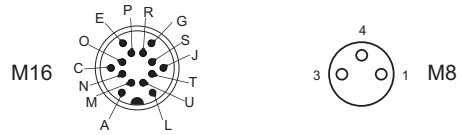
Accessory Components

Housing material:Nylon/Black
 Coupling nut:Brass/Nicket
 Contact carrier:TPU/Black
 Pin:Brass/Gold
 IP degree:IP67
 Load:10~30VDC,2 A/port, 6 A total,LED 10mA
 Temperature range:-30...+80°C



AJB8M8-3P-M16

Single channel PNP or NPN
 1 signal per port
 LED
 M16 vertical connector



Joint



14 pins M16 pre-moulding Cable

PN	1.Y07463
Model	DNLK14-14-2M/P00

3 pins M8 Field wirable connector

PN	1.Y06722
Model	M8-M03T

Pinout

Female

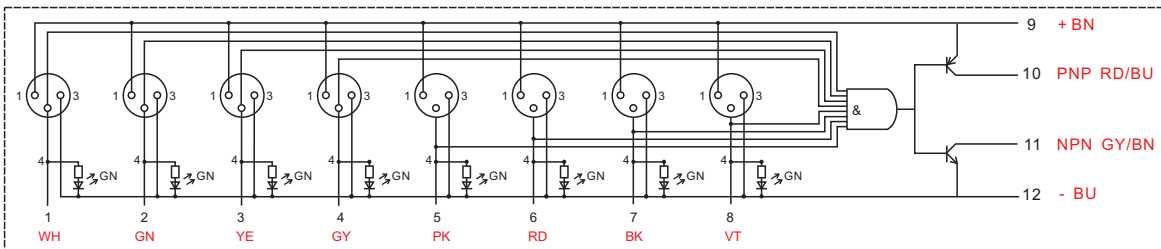
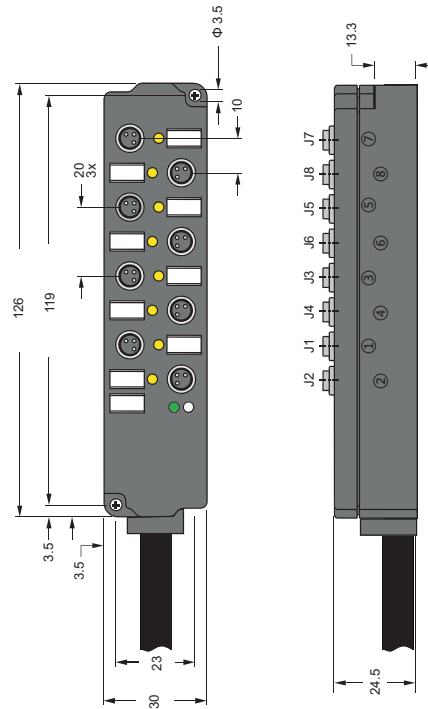


- | | |
|----------|----------|
| A. BN | N. GY/BN |
| C. RD/BU | O. VT |
| E. BK | P. WH |
| G. PK | R. RD |
| J. GN | S. GY |
| L. BU | T. YE |
| M. OR | U. TN |

PN	Model	Type	Weight
4.Y00491	AJB8M8-3P-M16	PNP	120g
4.Y00492	AJB8M8-3N-M16	NPN	120g

M8 8 ports Junction box

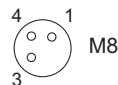
Housing material: Nylon/Black
 Coupling nut: Brass/Nicket
 Contact carrier: TPU/Black
 Pin: Brass/Gold
 IP degree: IP67
 Load: 10~30VDC, 2 A/port, 6 A total, LED 10mA
 Temperature range: -30...+80°C



AJB8M8-3P-D2

Joint

Single channel PNP or NPN
 1 signal per port
 LED
 Black PVC wire with 10 cores in 2m



Singal Wire Cross-sectional Sketch Map



- 1.WH
- 2.GN
- 3.YE
- 4.GY
- 5.PK
- 6.RD
- 7.BK
- 8.VT
- 9.BN
- 10.BU
- 11.RD/BU
- 12.GY/BN

3 pins M8 Field wirable connector

PN	1.Y06722
Model	M8-M03T

PN	Model	Type	Weight
4.Y00495	AJB8M8-3P-D2	PNP	300g
4.Y00496	AJB8M8-3N-D2	NPN	300g

* The standard length is 2 meters, which can be customized.

Profile · SUS Tube

Stents Module

Quick Changer

Grip Module

Air Nipper

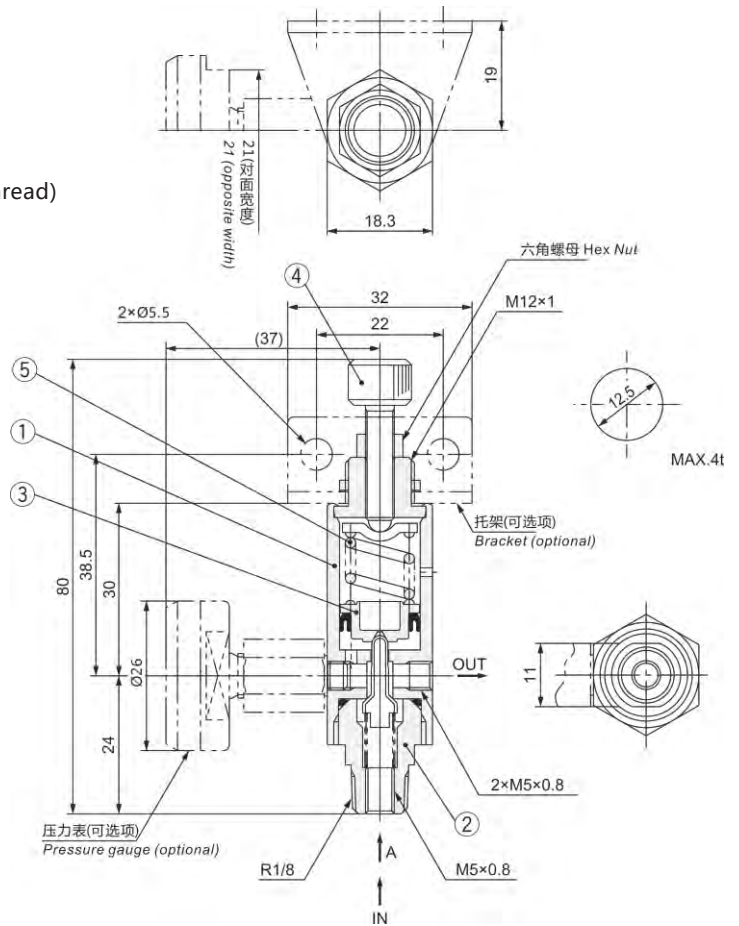
Vacuum Module

Accessory Components

Miniature Regulator

ARJ210 series

The body is made of aluminum, lightweight (60g)
IN side pipe connections are made with 1/8 (external thread)
M5 (internal thread) 2 types



PN		1.Y05877
Model		ARJ210-M5
Pipe Size	IN	1/8 (F-M5×0.8)
	OUT	M5×0.8
Fluid		Air
Proof pressure		1.2MPa
Maximum Operating pressure		0.8MPa
Set pressure range		0.2~0.7MPa 0.2MPa: 0.05~0.2MPa
Pressure gauge connecting caliber		M5×0.8
Environment and fluid temperature		-5~60°C
Weight		0.06

Tube Cutter



Special tool for cutting copper tube
Ease to use
Improve work efficiency
Durable,high-quality,weight (248g)

PN	1.Y02592
----	----------



Index

Model	PN	Page
	Profile, SUS Tube	
PST8-1500	4.Y00040	1
PST12-1500	4.Y00021	1
PST20-1500	4.Y00022	1
PAT20-1000	4.Y00468	1
PAT30-1000	4.Y00469	1
PEP1818-1000	4.Y00075	2
PEP2510-1000	4.Y00076	2
PEP2518-1000	4.Y00455	2
PEP2525-1000	4.Y00050	2
PEP2525-2000	4.Y00051	2
PEP5025-1000	4.Y00056	2
PEP5025-2000	4.Y00057	2
PEP4040-1000	4.Y00052	2
PEP4040-2000	4.Y00053	2
PEP-3636-1000	4.Y00054	2
PEP-3636-1500	4.Y00484	2
PEP-3636-2000	4.Y00055	2
PTN-M4	7.Y00651	3
PTN-M5	7.Y00425	3
PTN-M6	7.Y00652	3
PTN-M4P8	7.Y00653	3
PTN-M5P10	7.Y00654	3
PTN-M5P15	7.Y00655	3
PTN-M5P17	7.Y00656	3
PTN-M5P22	7.Y00657	3
PTN-M5P25	7.Y00658	3
PTN-M5P28	7.Y00659	3
PTN-M5P30	7.Y00660	3
PTN-M5P35	7.Y00661	3
PTN-M5P40	7.Y00662	3
PTN-M5P50	7.Y00663	3
PTN-M5P60	7.Y00664	3
PTN-M5P90	7.Y00665	3
PTN-M5R	7.Y00805	3
PTC-M4L10	1.Y03908	4
PTC-M4L12	1.Y03848	4
PTC-M4L14	1.Y02752	4
PTC-M4L16	1.Y04073	4
PTC-M4L18	1.Y05846	4
PTC-M5L10	1.Y04294	4
PTC-M5L12	1.Y03850	4
PTC-M5L14	1.Y04528	4
PTC-M5L16	1.Y03849	4
PTC-M5L20	1.Y03909	4
PTC-M5L22	1.Y06257	4
PTC-M5L25	1.Y03851	4
PTC-M5L30	1.Y04469	4
PTC-M5L35	1.Y04580	4
PTC-M5L60	1.Y05391	4
PTC-M6L10	1.Y04288	4
PTC-M6L12	1.Y03910	4
PTC-M6L14	1.Y04153	4
PTC-M6L16	1.Y02753	4
PTS-M4	1.Y03853	4
PTS-M5	1.Y03852	4
PTS-M6	1.Y03854	4
PTD-M4P8	4.Y00522	4
PTD-M5P10	4.Y00523	4
PTD-M5P15	4.Y00524	4
PTD-M5P17	4.Y00525	4
PTD-M5P22	4.Y00526	4
PTD-M5P25	4.Y00527	4
	Stents Module	
SIP-50B	7.Y00650	5
SIP-90B	7.Y00634	5
SIP-160B	7.Y00635	5

Model	PN	Page
SIP-200B	7.Y00865	6
SFP-S2550	7.Y00641	7
SFP-S25100	7.Y00642	7
SFP-S40160	7.Y00643	7
SFP-L2550	7.Y00647	7
SFP-L2575	7.Y00648	7
SFP-L40120	7.Y00649	7
SFP-T2550	7.Y00644	8
SFP-T25100	7.Y00645	8
SFP-T40120	7.Y00646	8
SFP-50	7.Y00636	8
SFP-A60	7.Y00637	9
SFP-A90	7.Y00638	9
SFP-A70	7.Y00639	9
SFP-A50	7.Y00640	9
SMBA-1818	7.Y00290	10
SMBA-1825	7.Y00291	10
SMBA-2020	7.Y00245	10
SMBA-2525	7.Y00194	10
SMBA-3030	7.Y00193	10
SMBA-5050	7.Y00011	10
SMBA-2550	7.Y00292	10
SMBA-4040	7.Y00246	10
SMBA-8080	7.Y00355	10
SMBA-4080	7.Y00293	10
SMBA-2580	7.Y00294	10
SMBA-2540	7.Y00356	10
SMBA-3025	7.Y00690	10
SMBB-1818	7.Y00295	11
SMBB-1825	7.Y00817	11
SMBB-2525	7.Y00012	11
SMBB-5025	7.Y00339	11
SMBB-2550	7.Y00340	11
SMBB-3030	7.Y00163	11
SMBC-1025	7.Y00296	12
SMBC-1432	7.Y00297	12
SMBC-2038	7.Y00013	12
SMBC-3050	7.Y00226	12
SMBC-5070	7.Y00225	12
SMBD-2550	7.Y00227	13
SMBD-5070	7.Y00228	13
SMBD2-7625	7.Y00426	14
SMBD2-12025	7.Y00427	14
SMBD2-13025	7.Y00428	14
SMBD2-7650	7.Y00429	14
SMBD2-12050	7.Y00430	14
SMBD2-13050	7.Y00431	14
SMBD3-2525	7.Y00812	14
SMBD3-2550	7.Y00813	14
SMBD3-4040	7.Y00814	14
SMBD3-4080	7.Y00815	14
SMBE-1010	7.Y00300	15
SMBE-1014	7.Y00301	15
SMBE-1210	7.Y00775	15
SMBE-1214	7.Y00864	15
SMBE-1414	7.Y00302	15
SMBE-2014	7.Y00014	15
SMBE-2022	7.Y00304	15
SMBE1-0840	7.Y00694	16
SMBE1-1040	7.Y00201	16
SMBE1-1240	7.Y00695	16
SMBE1-1440	7.Y00200	16
SMBE1-1450	7.Y00199	16
SMBE1-2060	7.Y00015	16
SMBE1-3060	7.Y00724	16
SMBE2-1040	7.Y00725	17
SMBE2-1240	7.Y00777	17

Model	PN	Page
SMBE2-1450	7.Y00307	17
SMBE2-2060	7.Y00308	17
SMBE2-3060	7.Y00309	17
SMBE3-1020	7.Y00341	18
SMBE3-1220	7.Y00795	18
SMBE3-1430	7.Y00342	18
SMBE3-2040	7.Y00343	18
SMBE3-3050	7.Y00344	18
SMBE4-1412	7.Y00224	19
SMBE4-2012	7.Y00223	19
SMBE4-2020	7.Y00181	19
SMBE4-3012	7.Y00222	19
SMBE4-3020	7.Y00221	19
SMBE5-G1840	7.Y00310	20
SMBE5-G1860	7.Y00311	20
SMBE5-M1040	7.Y00312	20
SMBE5-M1060	7.Y00313	20
SMBE5-M1240	7.Y00314	20
SMBE5-M1260	7.Y00315	20
SMBE5-M1440	7.Y00316	20
SMBE5-M1460	7.Y00317	20
SMBE5-M1640	7.Y00320	20
SMBE5-M1660	7.Y00321	20
SMBE5-M2040	7.Y00322	20
SMBE5-M2060	7.Y00323	20
SMBE6-1040	7.Y00357	21
SMBE6-1240	7.Y00358	21
SMBE6-1440	7.Y00359	21
SMBE6-1640	7.Y00360	21
SMBE6-2040	7.Y00361	21
SMBE6-2240	7.Y00362	21
SMBE6-2540	7.Y00363	21
SMBE6-1028	7.Y00364	21
SMBE6-1228	7.Y00365	21
SMBE6-1428	7.Y00366	21
SMBE6-1628	7.Y00367	21
SMBE6-2028	7.Y00368	21
SMBE6-2228	7.Y00369	21
SMBE6-2528	7.Y00370	21
SMBE7-0856	7.Y00062	22
SMBE7-1256	7.Y00021	22
SMBE7-2056	7.Y00006	22
SMB-10M5-02G18	7.Y00153	22
SMB-08M5-02G18	7.Y00154	22
SMB-10M5	7.Y00155	22
SMB-08M5	7.Y00156	22
SMB-06M5	7.Y00157	22
SMB-14M5	7.Y00167	22
SMB-5G18	7.Y00229	23
SMB-9G18	7.Y00231	23
SMB-D5G18	7.Y00230	23
SMB-A5G18	7.Y00240	24
SMB-A5G14	7.Y00241	24
SMBY12-50	7.Y00736	24
SMBY12-100	7.Y00735	24
SMBY14-50	7.Y00733	24
SMBY14-100	7.Y00734	24
SMBY20-50	7.Y00732	24
SMBY20-100	7.Y00731	24
SMBY20-150	7.Y00462	24
SMBY30-50	7.Y00729	24
SMBY30-100	7.Y00730	24
SMBY30-150	7.Y00463	24
SMBT4-G1820	7.Y00048	25
SMBT1-M1412	7.Y00028	25
SMBP-0808	7.Y00042	25
SMBP-0812	7.Y00043	25



Index

Model	PN	Page
SMBP-1212	7.Y00044	25
SMBP-2012	7.Y00045	25
SMBP-2020	7.Y00046	25
SMBT-0808	7.Y00025	26
SMBT-1208	7.Y00026	26
SMBT-1212	7.Y00020	26
SMBT-1214	7.Y00794	26
SMBT-2012	7.Y00027	26
SMBT-2020	7.Y00005	26
SMBT2-1212	7.Y00192	26
SMBT2-2020	7.Y00185	26
SMBT3-2020	7.Y00047	26
SMBF-0808	7.Y00029	27
SMBF-0812	7.Y00030	27
SMBF-1208	7.Y00031	27
SMBF-1212	7.Y00032	27
SMBF-1220	7.Y00033	27
SMBF-2012	7.Y00034	27
SMBF-2020	7.Y00035	27
SMBF1-0808	7.Y00036	27
SMBF1-0812	7.Y00037	27
SMBF1-1208	7.Y00038	27
SMBF1-1212	7.Y00003	27
SMBF1-1220	7.Y00039	27
SMBF1-2012	7.Y00040	27
SMBF1-2020	7.Y00041	27
SMBJ1-5	7.Y00070	28
SMBJ2-6	7.Y00071	28
SMBT5-8	7.Y00072	28
SMBT5-12	7.Y00073	28
SMBT6-12	7.Y00074	29
SMBG1-8M5	7.Y00057	29
SMBG1-8M6	7.Y00058	29
SMBG1-12M5	7.Y00059	29
SMBG1-12M6	7.Y00060	29
SMBG1-12G18	7.Y00061	29
SCF1-40M3	7.Y00115	29
SCF1-40G18	7.Y00118	29
SCF1-70M3	7.Y00129	29
SCF1-70G18	7.Y00132	29
SCF2-40M5	7.Y00173	29
SCF2-40M6	7.Y00117	29
SCF2-70M5	7.Y00130	29
SCF2-70M6	7.Y00131	29
SMBM-10	7.Y00740	30
SMBM-16	7.Y00741	30
SMBM-20	7.Y00728	30
SMBM-25	7.Y00739	30
SMBM-32	7.Y00738	30
SMBM-40	7.Y00737	30
SMBT9-12	7.Y00081	30
SMBU-12	7.Y00082	30
SMBU2-20	7.Y00255	31
SMBU3-8	7.Y00085	31
SMBU4-12	7.Y00086	31
SMBU5-20	7.Y00087	32
SMBU6-8	7.Y00088	32
SMBU7-12	7.Y00089	32
SMBU8-20	7.Y00090	33
SMBK1-8T10	7.Y00091	33
SMBK1-12T10	7.Y00092	33
SMBK1-20T10	7.Y00093	33
SMBK1-8T16	7.Y00094	33
SMBK1-12T16	7.Y00095	33
SMBK1-20T16	7.Y00096	33
SMBS-8T10	7.Y00064	33
SMBS-12T10	7.Y00065	33

Model	PN	Page
SMBS-20T10	7.Y00066	33
SMBS-8T16	7.Y00067	33
SMBS-12T16	7.Y00001	33
SMBS-20T16	7.Y00068	33
SMBR2-M10	7.Y00099	34
SMBR2-M12	7.Y00100	34
SMBR4-0808M4	7.Y00103	34
SMBR4-1208M4	7.Y00110	34
SMBR4-1212M4	7.Y00019	34
SMBR4-1212M4L	7.Y00268	34
SMBR4-1420M6	7.Y00461	34
SMBR4-2020M6	7.Y00007	34
SMBR4-2020M6L	7.Y00206	34
SMBR5-1208	7.Y00111	34
SMBR5-0808	7.Y00104	34
SMBR5-1212	7.Y00112	34
SMBR7-0808	7.Y00113	35
SMBR7-1212	7.Y00114	35
SMBR-46	7.Y00063	35
SMBR1-12	7.Y00098	35
SVA-G18	7.Y00235	36
SVA-G14	7.Y00237	36
SVB-M5	7.Y00242	37
SVB-G18	7.Y00244	37
SVB-G14	7.Y00243	37
SVC-M5	7.Y00328	38
SVC-G18	7.Y00238	38
SVC-G14	7.Y00239	38
SVD-M5	7.Y00416	39
SVD-G18	7.Y00417	39
SVD-G14	7.Y00418	39
SVE-M51030	7.Y00410	40
SVE-M51060	7.Y00411	40
SVE-M51090	7.Y00412	40
SVE-M51230	7.Y00772	40
SVE-M51260	7.Y00773	40
SVE-M51290	7.Y00774	40
SVE-G181440	7.Y00413	40
SVE-G181480	7.Y00414	40
SVE-G1814120	7.Y00415	40
SVE-G142050	7.Y00008	40
SVE-G1420100	7.Y00009	40
SVE-G1420150	7.Y00010	40
SCA1-1010L30	7.Y00398	41
SCA1-1010L60	7.Y00399	41
SCA1-1010L90	7.Y00400	41
SCA1-1212L30	7.Y00769	41
SCA1-1212L60	7.Y00770	41
SCA1-1212L90	7.Y00771	41
SCA1-1414L40	7.Y00401	41
SCA1-1414L80	7.Y00402	41
SCA1-1414L120	7.Y00403	41
SCA1-2020L50	7.Y00404	41
SCA1-2020L100	7.Y00405	41
SCA1-2020L150	7.Y00406	41
SCA1-3030L80	7.Y00407	41
SCA1-3030L140	7.Y00408	41
SCA1-3030L200	7.Y00409	41
SCC-20G18	7.Y00236	42
SCC-20M16	7.Y00234	42
SCD-2010	7.Y00329	42
SCD-2014	7.Y00330	42
SCD-2020	7.Y00233	42
SCE-NR20	7.Y00331	43
SCE-NR30	7.Y00261	43
SCE-NR50	7.Y00742	43
SCE1-NS20	7.Y00692	43

Model	PN	Page
SCE1-NS30	7.Y00693	43
SCE2-05	7.Y00796	43
SCE2-1015	1.Y00094	44
SCE2-25	7.Y00633	44
SCE3-N10	7.Y00075	44
SCE3-N20	7.Y00076	44
SCE3-N30	7.Y00077	44
SCE4-NR(L,R)	7.Y00868	45
SCE4-NR30	7.Y00146	45
SCE4-NR20	7.Y00147	45
SCE4-NR10	7.Y00148	45
SCE-NR20-D10	7.Y00946	45
SCE-NR20-D12	7.Y00947	45
SCE-NR30-D10	7.Y00948	45
SCE-NR30-D12	7.Y00949	45
SMBH1-8M5	7.Y00051	46
SMBH1-8M6	7.Y00052	46
SMBH1-12M5	7.Y00053	46
SMBH1-12M6	7.Y00002	46
SMBH1-12M8	7.Y00054	46
SMBH1-20M6	7.Y00055	46
SMBH1-20M8	7.Y00056	46
SMBE7-18M5	7.Y00869	46
SMBE7-18M6	7.Y00870	46
SMBE7-25M5	7.Y00871	46
SMBE7-25M6	7.Y00872	46
SCF3-40M10	7.Y00119	47
SCF3-40M12	7.Y00120	47
SCF3-40M17	7.Y00121	47
SCF3-70M10	7.Y00133	47
SCF3-70M12	7.Y00134	47
SCF3-70M17	7.Y00135	47
SCF4-0840W12	7.Y00122	47
SCF4-0840W16	7.Y00123	47
SCF4-1240W16	7.Y00004	47
SCF4-2040W25	7.Y00124	47
SCF4-0870W12	7.Y00136	47
SCF4-0870W16	7.Y00137	47
SCF4-1270W16	7.Y00138	47
SCF4-2070W25	7.Y00139	47
SCF5-0840W16	7.Y00125	47
SCF5-0840W12	7.Y00126	47
SCF5-1240W16	7.Y00127	47
SCF5-2040W25	7.Y00128	47
SCF5-0870W16	7.Y00140	47
SCF5-0870W12	7.Y00141	47
SCF5-1270W16	7.Y00142	47
SCF5-2070W25	7.Y00143	47
SEA-1010L60	7.Y00388	48
SEA-1212L60	7.Y00776	48
SEA-1414L40	7.Y00389	48
SEA-1414L80	7.Y00390	48
SEA-1414L120	7.Y00391	48
SEA-2020L50	7.Y00392	48
SEA-2020L100	7.Y00393	48
SEA-2020L150	7.Y00394	48
SEA-3030L80	7.Y00395	48
SEA-3030L140	7.Y00396	48
SEA-3030L200	7.Y00397	48
SEAH-2020L50	7.Y00350	49
SEAH-2020L100	7.Y00351	49
SEAH-2020L150	7.Y00166	49
SEAH-3030L80	7.Y00352	49
SEAH-3030L140	7.Y00353	49
SEAH-3030L200	7.Y00354	49
SEAV-M510L45	7.Y00432	49
SEAV-M510L90	7.Y00433	49



Index

Model	PN	Page	Model	PN	Page	Model	PN	Page
SEAV-G1814L60	7.Y00258	49	PT08SE16-26S	1.Y07209	64	GMXQ8A-20Z	-	74
SEAV-G1814L120	7.Y00434	49	PT06E14-19S	1.Y09414	64	GMXQ8A-30Z	-	74
SEAV-G1820L78	7.Y00435	49	PT08SE16-26P	1.Y07210	64	GMXQ8A-40Z	-	74
SEAV-G1820L153	7.Y00247	49	PT06E14-19P	1.Y09413	64	GMXQ8A-50Z	-	74
SEAV-G1420L75	7.Y00436	49	QCA-50R	8.Y00349	65	GMXQ8A-75Z	-	74
SEAV-G1420L150	7.Y00437	49	QCA-50G	8.Y00350	65	GMXQ8A-10ZN	-	74
SBNA-8M5	7.Y00271	50	QCA-200R	8.Y00272	66	GMXQ8A-20ZN	-	74
SBNA-8M6	7.Y00272	50	QCA-200G	8.Y00357	66	GMXQ8A-30ZN	-	74
SBNA-12M5	7.Y00273	50	Grip Module			GMXQ8A-40ZN	-	74
SBNA-12M10	7.Y00274	50	GMHZ2-10S	1.Y00258	67	GMXQ8A-50ZN	-	74
SBNA-20M12	7.Y00276	50	GMHZ2-10D	1.Y00252	67	GMXQ8A-75ZN	-	74
SBNA-20M17	7.Y00277	50	GMHZ2-16S	1.Y00257	67	GMXQ8A-10Z□1	-	75
SBNB-12PT18	7.Y00275	50	GMHZ2-16D	1.Y00256	67	GMXQ8A-20Z□1	-	75
SBNB-20PT18	7.Y00278	50	GMHZ2-20S	1.Y03080	67	GMXQ8A-30Z□1	-	75
SBND-1208	7.Y00280	50	GMHZ2-20D	1.Y02703	67	GMXQ8A-40Z□1	-	75
SBND-2012	7.Y00281	50	GMHZ2-25S	1.Y09884	67	GMXQ8A-50Z□1	-	75
SBND-2008	7.Y00282	50	GMHZ2-25D	1.Y09338	67	GMXQ8A-75Z□1	-	75
Quick Changer			GMHZ2-32S	1.Y09885	67	GMXQ8A-10Z□2	-	75
QCSM-M9K	7.Y00922	52	GMHZ2-32D	1.Y09886	67	GMXQ8A-20Z□2	-	75
QCSM-9R1	7.Y00823	52	GMHZ2-40S	1.Y09887	67	GMXQ8A-30Z□2	-	75
QCSM-9G1	7.Y00824	52	GMHZ2-40D	1.Y09888	67	GMXQ8A-40Z□2	-	75
QCSM-9R2	7.Y00862	52	GMHZL2-10S	1.Y09405	68	GMXQ8A-50Z□2	-	75
QCSM-9G2	7.Y00863	52	GMHZL2-10D	1.Y07974	68	GMXQ8A-75Z□2	-	75
QCSM-9R3	7.Y00819	52	GMHZL2-16S	1.Y08175	68	GMXQ8A-10Z□4	-	75
QCSM-9G3	7.Y00820	52	GMHZL2-16D	1.Y08146	68	GMXQ8A-20Z□4	-	75
QCSM-9R4	7.Y00821	52	GMHZL2-20S	1.Y09882	68	GMXQ8A-30Z□4	-	75
QCSM-9G4	7.Y00822	52	GMHZL2-20D	1.Y07975	68	GMXQ8A-40Z□4	-	75
R9-1000	1.Y06423	52	GMHZL2-25S	1.Y09883	68	GMXQ8A-50Z□4	-	75
G9-1000	1.Y06424	52	GMHZL2-25D	1.Y08802	68	GMXQ8A-75Z□4	-	75
QC-R50	8.Y00054	53	GMHC2-16S	1.Y02014	69	GMXQ8A-10Z□5	-	75
QC-R50K	8.Y00402	53	GMHC2-16D	1.Y05738	69	GMXQ8A-20Z□5	-	75
QC-G50	8.Y00055	53	GMHC2-20S	1.Y02730	69	GMXQ8A-30Z□5	-	75
QC-R90	8.Y00032	54	GMHC2-20D	1.Y04328	69	GMXQ8A-40Z□5	-	75
QC-R90K	8.Y00359	54	GMHS3-16D	1.Y04529	70	GMXQ8A-50Z□5	-	75
QC-G90	8.Y00033	54	GMHS3-20D	1.Y04764	70	GMXQ8A-75Z□5	-	75
QC-R150K	8.Y00376	55	GMHS3-25D	1.Y05750	70	GMXQ12A-10Z	-	76
QC-G150	8.Y00377	55	GMXQ6A-10Z	-	72	GMXQ12A-20Z	-	76
QC-R160K	8.Y00360	56	GMXQ6A-20Z	-	72	GMXQ12A-30Z	-	76
QC-G160	8.Y00053	56	GMXQ6A-30Z	-	72	GMXQ12A-40Z	-	76
QC-R200K	8.Y00209	57	GMXQ6A-40Z	-	72	GMXQ12A-50Z	-	76
QC-G200	8.Y00208	57	GMXQ6A-50Z	-	72	GMXQ12A-75Z	-	76
QCS-R60	8.Y00081	58	GMXQ6A-10ZN	-	72	GMXQ12A-100Z	-	76
QCS-G60	8.Y00082	58	GMXQ6A-20ZN	-	72	GMXQ12A-10ZN	-	76
KCH04-M5	1.Y03525	58	GMXQ6A-30ZN	-	72	GMXQ12A-20ZN	-	76
KCH06-M5	1.Y03524	58	GMXQ6A-40ZN	-	72	GMXQ12A-30ZN	-	76
QCS-R100	7.Y00332	58	GMXQ6A-50ZN	-	72	GMXQ12A-40ZN	-	76
QCS-G100	7.Y00175	58	GMXQ6A-10Z□1	-	73	GMXQ12A-50ZN	-	76
QCS-R160	7.Y00160	58	GMXQ6A-20Z□1	-	73	GMXQ12A-75ZN	-	76
QCS-G160	7.Y00161	58	GMXQ6A-30Z□1	-	73	GMXQ12A-100ZN	-	76
KCH04-M5*5	7.Y00860	58	GMXQ6A-40Z□1	-	73	GMXQ12A-10Z□1	-	77
KCH06-M5*5	7.Y00861	58	GMXQ6A-50Z□1	-	73	GMXQ12A-20Z□1	-	77
MS-10SF*5	7.Y00334	58	GMXQ6A-10Z□4	-	73	GMXQ12A-30Z□1	-	77
MS-10PF	1.Y04667	58	GMXQ6A-20Z□4	-	73	GMXQ12A-40Z□1	-	77
QCL15R-Y	1.Y01275	59	GMXQ6A-30Z□4	-	73	GMXQ12A-50Z□1	-	77
QCL15G-Y	1.Y01276	59	GMXQ6A-40Z□4	-	73	GMXQ12A-75Z□1	-	77
QCL15R-S	8.Y00236	60	GMXQ6A-50Z□4	-	73	GMXQ12A-100Z□1	-	77
QCL15G-S	8.Y00235	60	GMXQ6A-10Z□2	-	73	GMXQ12A-10Z□2	-	77
QCL35R-S	8.Y00101	61	GMXQ6A-20Z□2	-	73	GMXQ12A-20Z□2	-	77
QCL35G-S	8.Y00102	61	GMXQ6A-30Z□2	-	73	GMXQ12A-30Z□2	-	77
BP90	4.Y00480	62	GMXQ6A-40Z□2	-	73	GMXQ12A-40Z□2	-	77
BP135	4.Y00497	62	GMXQ6A-50Z□2	-	73	GMXQ12A-50Z□2	-	77
QCA-S10R	8.Y00037	63	GMXQ6A-10Z□5	-	73	GMXQ12A-75Z□2	-	77
QCA-S10G	8.Y00038	63	GMXQ6A-20Z□5	-	73	GMXQ12A-100Z□2	-	77
QCSM-26R	7.Y00464	64	GMXQ6A-30Z□5	-	73	GMXQ12A-10Z□4	-	77
QCSM-19R	7.Y00954	64	GMXQ6A-40Z□5	-	73	GMXQ12A-20Z□4	-	77
QCSM-26G	7.Y00465	64	GMXQ6A-50Z□5	-	73	GMXQ12A-30Z□4	-	77
QCSM-19G	7.Y00955	64	GMXQ8A-10Z	-	74	GMXQ12A-40Z□4	-	77



Index

Model	PN	Page
GMXQ12A-50Z□4	-	77
GMXQ12A-75Z□4	-	77
GMXQ12A-100Z□4	-	77
GMXQ12A-10Z□5	-	77
GMXQ12A-20Z□5	-	77
GMXQ12A-30Z□5	-	77
GMXQ12A-40Z□5	-	77
GMXQ12A-50Z□5	-	77
GMXQ12A-75Z□5	-	77
GMXQ12A-100Z□5	-	77
GMXQ16A-10Z	-	78
GMXQ16A-20Z	-	78
GMXQ16A-30Z	-	78
GMXQ16A-40Z	-	78
GMXQ16A-50Z	-	78
GMXQ16A-75Z	-	78
GMXQ16A-100Z	-	78
GMXQ16A-125Z	-	78
GMXQ16A-10ZN	-	78
GMXQ16A-20ZN	-	78
GMXQ16A-30ZN	-	78
GMXQ16A-40ZN	-	78
GMXQ16A-50ZN	-	78
GMXQ16A-75ZN	-	78
GMXQ16A-100ZN	-	78
GMXQ16A-125ZN	-	78
GMXQ16A-10Z□1	-	79
GMXQ16A-20Z□1	-	79
GMXQ16A-30Z□1	-	79
GMXQ16A-40Z□1	-	79
GMXQ16A-50Z□1	-	79
GMXQ16A-75Z□1	-	79
GMXQ16A-100Z□1	-	79
GMXQ16A-125Z□1	-	79
GMXQ16A-10Z□2	-	79
GMXQ16A-20Z□2	-	79
GMXQ16A-30Z□2	-	79
GMXQ16A-40Z□2	-	79
GMXQ16A-50Z□2	-	79
GMXQ16A-75Z□2	-	79
GMXQ16A-100Z□2	-	79
GMXQ16A-125Z□2	-	79
GMXQ16A-10Z□4	-	79
GMXQ16A-20Z□4	-	79
GMXQ16A-30Z□4	-	79
GMXQ16A-40Z□4	-	79
GMXQ16A-50Z□4	-	79
GMXQ16A-75Z□4	-	79
GMXQ16A-100Z□4	-	79
GMXQ16A-125Z□4	-	79
GMXQ16A-10Z□5	-	79
GMXQ16A-20Z□5	-	79
GMXQ16A-30Z□5	-	79
GMXQ16A-40Z□5	-	79
GMXQ16A-50Z□5	-	79
GMXQ16A-75Z□5	-	79
GMXQ16A-100Z□5	-	79
GMXQ16A-125Z□5	-	79
GMXQ20A-10Z	-	80
GMXQ20A-20Z	-	80
GMXQ20A-30Z	-	80
GMXQ20A-40Z	-	80
GMXQ20A-50Z	-	80
GMXQ20A-75Z	-	80
GMXQ20A-100Z	-	80
GMXQ20A-125Z	-	80
GMXQ20A-150Z	-	80

Model	PN	Page
GMXQ20A-10ZN	-	80
GMXQ20A-20ZN	-	80
GMXQ20A-30ZN	-	80
GMXQ20A-40ZN	-	80
GMXQ20A-50ZN	-	80
GMXQ20A-75ZN	-	80
GMXQ20A-100ZN	-	80
GMXQ20A-125ZN	-	80
GMXQ20A-150ZN	-	80
GMXQ20A-10Z□1	-	81
GMXQ20A-20Z□1	-	81
GMXQ20A-30Z□1	-	81
GMXQ20A-40Z□1	-	81
GMXQ20A-50Z□1	-	81
GMXQ20A-75Z□1	-	81
GMXQ20A-100Z□1	-	81
GMXQ20A-125Z□1	-	81
GMXQ20A-150Z□1	-	81
GMXQ20A-10Z□2	-	81
GMXQ20A-20Z□2	-	81
GMXQ20A-30Z□2	-	81
GMXQ20A-40Z□2	-	81
GMXQ20A-50Z□2	-	81
GMXQ20A-75Z□2	-	81
GMXQ20A-100Z□2	-	81
GMXQ20A-125Z□2	-	81
GMXQ20A-150Z□2	-	81
GMXQ20A-10Z□4	-	81
GMXQ20A-20Z□4	-	81
GMXQ20A-30Z□4	-	81
GMXQ20A-40Z□4	-	81
GMXQ20A-50Z□4	-	81
GMXQ20A-75Z□4	-	81
GMXQ20A-100Z□4	-	81
GMXQ20A-125Z□4	-	81
GMXQ20A-150Z□4	-	81
GMXQ20A-10Z□5	-	81
GMXQ20A-20Z□5	-	81
GMXQ20A-30Z□5	-	81
GMXQ20A-40Z□5	-	81
GMXQ20A-50Z□5	-	81
GMXQ20A-75Z□5	-	81
GMXQ20A-100Z□5	-	81
GMXQ20A-125Z□5	-	81
GMXQ20A-150Z□5	-	81
GMXQ25A-10Z	-	82
GMXQ25A-20Z	-	82
GMXQ25A-30Z	-	82
GMXQ25A-40Z	-	82
GMXQ25A-50Z	-	82
GMXQ25A-75Z	-	82
GMXQ25A-100Z	-	82
GMXQ25A-125Z	-	82
GMXQ25A-150Z	-	82
GMXQ25A-10ZN	-	82
GMXQ25A-20ZN	-	82
GMXQ25A-30ZN	-	82
GMXQ25A-40ZN	-	82
GMXQ25A-50ZN	-	82
GMXQ25A-75ZN	-	82
GMXQ25A-100ZN	-	82
GMXQ25A-125ZN	-	82
GMXQ25A-150ZN	-	82
GMXQ25A-10Z□1	-	83
GMXQ25A-20Z□1	-	83
GMXQ25A-30Z□1	-	83
GMXQ25A-40Z□1	-	83

型号(Model)	PN	Page
GMXQ25A-50Z□1	-	83
GMXQ25A-75Z□1	-	83
GMXQ25A-100Z□1	-	83
GMXQ25A-125Z□1	-	83
GMXQ25A-150Z□1	-	83
GMXQ25A-10Z□2	-	83
GMXQ25A-20Z□2	-	83
GMXQ25A-30Z□2	-	83
GMXQ25A-40Z□2	-	83
GMXQ25A-50Z□2	-	83
GMXQ25A-75Z□2	-	83
GMXQ25A-100Z□2	-	83
GMXQ25A-125Z□2	-	83
GMXQ25A-150Z□2	-	83
GMXQ25A-10Z□4	-	83
GMXQ25A-20Z□4	-	83
GMXQ25A-30Z□4	-	83
GMXQ25A-40Z□4	-	83
GMXQ25A-50Z□4	-	83
GMXQ25A-75Z□4	-	83
GMXQ25A-100Z□4	-	83
GMXQ25A-125Z□4	-	83
GMXQ25A-150Z□4	-	83
GMXQ25A-10Z□5	-	83
GMXQ25A-20Z□5	-	83
GMXQ25A-30Z□5	-	83
GMXQ25A-40Z□5	-	83
GMXQ25A-50Z□5	-	83
GMXQ25A-75Z□5	-	83
GMXQ25A-100Z□5	-	83
GMXQ25A-125Z□5	-	83
GMXQ25A-150Z□5	-	83
GMXS6-10	-	86
GMXS6-20	-	86
GMXS6-30	-	86
GMXS6-40	-	86
GMXS6-50	-	86
GMXS8-10	-	86
GMXS8-20	-	86
GMXS8-30	-	86
GMXS8-40	-	86
GMXS8-50	-	86
GMXS8-75	-	86
GMXS12-10	-	87
GMXS12-20	-	87
GMXS12-30	-	87
GMXS12-40	-	87
GMXS12-50	-	87
GMXS12-75	-	87
GMXS12-100	-	87
GMXS16-10	-	87
GMXS16-20	-	87
GMXS16-30	-	87
GMXS16-40	-	87
GMXS16-50	-	87
GMXS16-75	-	87
GMXS16-100	-	87
GMXS16-125	-	87
GMXS20-10	-	88
GMXS20-20	-	88
GMXS20-30	-	88
GMXS20-40	-	88
GMXS20-50	-	88
GMXS20-75	-	88
GMXS20-100	-	88
GMXS20-125	-	88
GMXS20-150	-	88



Index

Model	PN	Page	Model	PN	Page	Model	PN	Page
GMXA25-10	-	88	GRL12A-CN	8.Y00001	97	GRF-02	7.Y00927	121
GMXA25-20	-	88	GRL12A-CP	8.Y00002	97	IPCU-SMN	1.Y08433	121
GMXA25-30	-	88	GRX20	8.Y00213	98	GSR1421-08	8.Y00241	122
GMXA25-40	-	88	GRX20-C	8.Y00215	98	GSR2026-10	8.Y00329	122
GMXA25-50	-	88	GRX20-CN	8.Y00013	98	GSR2026-12	8.Y00243	122
GMXA25-75	-	88	GRX20-CP	8.Y00014	98	GSR2051-10	8.Y00330	122
GMXA25-100	-	88	GR05A-10	8.Y00348	100	GSR2051-12	8.Y00331	122
GMXA25-125	-	88	GR10A-12	8.Y00268	101	GSRT1421-08	8.Y00242	122
GMXA25-150	-	88	GR10A-12-CP	8.Y00267	101	GSRT2026-10	8.Y00332	122
GMXS6	-	89	GR10D-12	8.Y00370	102	GSRT2026-12	8.Y00244	122
GMXS8	-	89	GR10D-12-CP	8.Y00369	102	GSRT2051-10	8.Y00333	122
GMXS12	-	89	GR12A-12	8.Y00048	103	GSRT2051-12	8.Y00334	122
GMXS16	-	89	GR12A-12-C	8.Y00098	103	GSP20-14	8.Y00238	123
GMXS20	-	89	GR12A-12-CP	8.Y00050	103	GSP20-20	8.Y00239	123
GMXS25	-	89	GR12A-12-CN	8.Y00091	103	GMP20A	8.Y00088	124
GMXH6-5Z	-	91	GR12B-12	8.Y00245	104	GMP30A	8.Y00089	124
GMXH6-10Z	-	91	GR12B-12-C	8.Y00260	104	GMP20B	7.Y00726	124
GMXH6-15Z	-	91	GR12B-12-CP	8.Y00261	104	GMP30B	7.Y00789	124
GMXH6-20Z	-	91	GR12B-12-CN	8.Y00262	104	GLU20A	7.Y00894	124
GMXH6-25Z	-	91	GR10L-12	8.Y00307	105	GLU20B	7.Y00895	124
GMXH6-30Z	-	91	GR12L-12	8.Y00308	105	GN2010	8.Y00025	125
GMXH6-40Z	-	91	GR20A-20	8.Y00224	107	GN2010-S51	8.Y00341	125
GMXH6-50Z	-	91	GR20A-20-C	8.Y00049	107	GN2010-8	8.Y00347	125
GMXH6-60Z	-	91	GR20A-20-CP	8.Y00226	107	18-S1	4.Y00470	126
GMXH10-5Z	-	91	GR20A-20-CN	8.Y00051	107	18-S2	4.Y00472	126
GMXH10-10Z	-	91	GR20B-20	8.Y00234	108	22-S1	4.Y00471	126
GMXH10-15Z	-	91	GR20B-20-C	8.Y00231	108	22-S2	4.Y00473	126
GMXH10-20Z	-	91	GR20B-20-CP	8.Y00232	108	GBD18U	8.Y00212	127
GMXH10-25Z	-	91	GR20B-20-CN	8.Y00233	108	GBD22HU	8.Y00058	127
GMXH10-30Z	-	91	GR20C-20	8.Y00342	109	GBD18HD	8.Y00057	127
GMXH10-40Z	-	91	GR20D-20	8.Y00343	110	GFA14-35	8.Y00117	128
GMXH10-50Z	-	91	GR20E-20	8.Y00344	110	GFA20-35	8.Y00118	128
GMXH10-60Z	-	91	GR20F-20	8.Y00345	111	GFA30-35	8.Y00119	128
GMXH16-5Z	-	92	GRT20A	8.Y00257	113	GFR14-95	8.Y00042	129
GMXH16-10Z	-	92	GRT20A-CN	8.Y00258	113	GFR20-95	8.Y00041	129
GMXH16-15Z	-	92	GRT20A-CP	8.Y00259	113	GFR20-95E	8.Y00311	8.Y00041
GMXH16-20Z	-	92	GRT20B	8.Y00279	114	GFR30-95	8.Y00095	129
GMXH16-25Z	-	92	GRT20B-CN	8.Y00281	114	GFR14-95G	8.Y00084	130
GMXH16-30Z	-	92	GRT20B-CP	8.Y00282	114	GFR20-95G	8.Y00083	130
GMXH16-40Z	-	92	GRT20C	8.Y00316	115	GFR20-95EG	8.Y00312	8.Y00083
GMXH16-50Z	-	92	GRT20D	8.Y00317	115	GFR30-95G	8.Y00096	130
GMXH16-60Z	-	92	GRT20E	8.Y00318	116	GFR20-95L	8.Y00309	131
GMXH20-5Z	-	92	GRT20E-CN	8.Y00339	116	GFR20-95LG	8.Y00310	132
GMXH20-10Z	-	92	GRT20E-CP	8.Y00340	116	GFR20-95S	8.Y00335	133
GMXH20-15Z	-	92	GRP32A	8.Y00278	117	GFR20-95SG	8.Y00336	134
GMXH20-20Z	-	92	GRP32A-30	8.Y00315	117	GP1-20	7.Y00778	135
GMXH20-25Z	-	92	GRP32B	8.Y00388	117	GP1-30	7.Y00779	135
GMXH20-30Z	-	92	GRP32B-30	8.Y00387	117	GP2-14	7.Y00780	135
GMXH20-40Z	-	92	GFM-A3V5	4.Y00500	119	GP2-20	7.Y00781	135
GMXH20-50Z	-	92	GFM-A4V5	4.Y00501	119	GP2-30	7.Y00782	135
GMXH20-60Z	-	92	GFM-A5V5	4.Y00502	119	GP3-14	7.Y00783	135
PNP	7.Y00800	94	GFM-B3V5	4.Y00503	119	GP3-20	7.Y00700	135
NPB	7.Y00801	94	GFM-B4V5	4.Y00504	119	GP3-20L	7.Y00908	135
GRS08	8.Y00214	95	GFM-B5V5	4.Y00505	119	GP3-30	7.Y00785	135
GRS08-C	8.Y00099	95	GFM-C3V5	4.Y00506	119	GS-14	7.Y00786	135
GRS08-CN	8.Y00011	95	GFM-C4V5	4.Y00507	119	GS-20	7.Y00787	135
GRS08-CP	8.Y00012	95	GFM-C5V5	4.Y00508	119	GS-30	7.Y00788	135
GRM12A	8.Y00103	96	GBS-2B-S01	4.Y00509	120	GOF20-20-NBR	8.Y00396	136
GRM12A-C	8.Y00092	96	GBS-3B-S01	4.Y00510	120	GOF20-20-VMQ	8.Y00395	136
GRM12A-CN	8.Y00009	96	GBS-4B-S01	4.Y00511	120	GOP20-20-NBR	8.Y00398	136
GRM12A-CP	8.Y00010	96	B-2B	1.Y08430	120	GOP20-20-VMQ	8.Y00397	136
GRM12B	8.Y00107	96	B-3B	1.Y08431	120	D-M9B	1.Y00310	137
GRM12B-C	8.Y00106	96	B-4B	1.Y08432	120	D-M9BL	1.Y00307	137
GRM12B-CN	8.Y00104	96	GSMP-04	7.Y00923	121	D-M9BV	1.Y02565	137
GRM12B-CP	8.Y00105	96	GSMP-05	7.Y00924	121	D-M9BVL	1.Y03843	137
GRL12A	8.Y00108	97	GSMP-06	7.Y00925	121	D-M9N	1.Y00311	137
GRL12A-C	8.Y00100	97	GRF-01	7.Y00926	121	D-M9NL	1.Y00295	137



Index

Model	PN	Page
D-M9NV	1.Y00298	137
D-M9NVL	1.Y03598	137
D-M9P	1.Y00309	137
D-M9PL	1.Y02301	137
D-M9PV	1.Y00296	137
D-M9PVL	1.Y02964	137
D-MQ	1.Y00293	137
GFN20-90	8.Y00094	138
GFN30-90	8.Y00116	138
Air Ripper		
GT-NY05	1.Y00008	144
GT-NY05R	1.Y03612	144
GT-NY05-4	1.Y01317	144
GT-NY05R-4	1.Y06093	144
GT-NY10	1.Y00012	144
GT-NY10R	1.Y00010	144
GT-NY10-4	1.Y02532	144
GT-NY10R-4	1.Y06098	144
GT-NY15	1.Y00006	144
GT-NY15R	1.Y00007	144
GT-NY15-4	1.Y06099	144
GT-NY15R-4	1.Y06100	144
GT-NY25	1.Y00004	144
GT-NY25R	1.Y00005	144
GT-NY25-6	1.Y06101	144
GT-NY25R-6	1.Y06102	144
GT-NY03G	1.Y00013	144
GT-NY03GR	1.Y01115	144
GT-NY03G-4	1.Y06091	144
GT-NY03GR-4	1.Y06092	144
GT-NY10G	1.Y03559	144
GT-NY10GR	1.Y06094	144
GT-NY10G-4	1.Y06095	144
GT-NY10GR-4	1.Y04500	144
GT-NY10S	1.Y06096	145
GT-NY25S	1.Y06097	145
GT-NF05	1.Y01316	145
GT-NF10	1.Y01532	145
GT-NF15	1.Y01350	145
NY03AJ	1.Y00044	146
NY03RAJ	1.Y01116	146
NY05AJ	1.Y00018	146
NY05RAJ	1.Y03613	146
NY05AJB	1.Y06103	146
NY10AJ	1.Y00020	146
NY10RAJ	1.Y00019	146
NY10AJB	1.Y00026	146
NY15AJ	1.Y00016	146
NY15RAJ	1.Y00017	146
NY15AJB	1.Y00043	146
NY25AJ	1.Y00037	146
NY25RAJ	1.Y00039	146
NY25AJB	1.Y00041	146
NY03AJL	1.Y03558	146
NY05AJL	1.Y00023	146
NY10AJL	1.Y00021	146
NY15AJL	1.Y00025	146
NY25AJL	1.Y00036	146
NY03AJT	1.Y03208	146
NY05AJT	1.Y06104	146
NY10AJT	1.Y02234	146
NY15AJT	1.Y00024	146
NY10AD	1.Y05999	147
NY15AD	1.Y01089	147
NY25AD	1.Y03989	147
NY05AH	1.Y04614	147
NY05RAH	1.Y06052	147

Model	PN	Page
NY10AH	1.Y00027	147
NY15AH	1.Y00858	147
NY15RAH	1.Y01466	147
NY25AH	1.Y00038	147
NY25RAH	1.Y00076	147
NY05BJ	1.Y03784	147
NY05RBJ	1.Y03114	147
GT-NT03	1.Y03933	148
GT-NT03R	1.Y06105	148
GT-NT03-4	1.Y06106	148
GT-NT03R-4	1.Y06107	148
GT-NT05	1.Y01168	148
GT-NT05R	1.Y06108	148
GT-NT05-4	1.Y04956	148
GT-NT05R-4	1.Y06109	148
GT-NT10	1.Y01098	148
GT-NT10R	1.Y06110	148
GT-NT10-6	1.Y06111	148
GT-NT10R-6	1.Y06112	148
GT-NT20	1.Y01648	148
GT-NT20R	1.Y06113	148
GT-NT20-6	1.Y06114	148
GT-NT20R-6	1.Y06115	148
NT03AJ	1.Y06116	148
NT05AJ	1.Y03935	148
NT05AJH	1.Y06117	148
NT05AJB	1.Y06118	148
NE5AJ	1.Y06119	148
NT10AJ	1.Y00040	148
NT10AJH	1.Y06120	148
NT10AJB	1.Y01099	148
NE10AJ	1.Y00064	148
NT20AJ	1.Y03936	148
NT20AJH	1.Y06121	148
NT20AJB	1.Y06122	148
NT05AJL	1.Y04056	149
NT10AJL	1.Y00034	149
NT20AJL	1.Y01649	149
NT03AJT	1.Y06123	149
NT05AJT	1.Y04955	149
NT10AJT	1.Y01318	149
NT03AJY	1.Y06124	149
NT05AJY	1.Y06125	149
NT10AJY	1.Y06126	149
NT05AD	1.Y06127	150
NT10AD	1.Y02608	150
NT20AD	1.Y06128	150
NT05AJV	1.Y06129	150
NT10AJV	1.Y06130	150
NT05AE	1.Y01169	150
NT10AE	1.Y00022	150
GT-NK10	1.Y02665	151
NK10AJ	1.Y02666	151
GT-TC-02	1.Y03833	151
GT-NKH20XL-25	-	153
GT-NKH20XR-25	-	153
GT-NKH20A-25	1.Y00087	153
GT-NKH20AR-25	1.Y00086	153
GT-NKH10	1.Y04612	154
NKH10AJ	1.Y01474	154
NKH10RAJ	1.Y06241	154
GT-NTH05	1.Y02235	154
GT-NTH10	1.Y01471	154
NTH05AJ	1.Y02236	154
NTH10AJ	1.Y01472	154
DTC-001	1.Y06131	155
GT-NS3	1.Y01269	157

Model	PN	Page
GT-NS5	1.Y01036	157
GT-NS7	1.Y01037	157
GT-NS10L	1.Y01214	157
GT-NS20	1.Y00009	157
GT-NS30	1.Y00002	157
GT-NS20H-1	1.Y06133	157
GT-N3	1.Y05900	157
GT-N5	1.Y06134	157
GT-N7	1.Y02077	157
GT-N10	1.Y06135	157
GT-N12	1.Y01531	157
GT-N20	1.Y01436	157
GT-N30	1.Y00003	157
GT-N50	1.Y06136	157
GT-NR3	1.Y03036	158
GT-NR5	1.Y02105	158
GT-NR7	1.Y03324	158
GT-NR10L	1.Y00015	158
GT-NR20	1.Y00222	158
GT-NR30	1.Y00001	158
GT-NR50	1.Y01349	158
NR10LST	1.Y06137	158
NR20ST	1.Y02115	158
NR30ST	1.Y03140	158
NR50ST	1.Y03141	158
P-10L	1.Y06200	158
P-20	1.Y04318	158
P-30	1.Y04310	158
P-50	1.Y06201	158
GT-NWR1	1.Y06202	159
GT-NWR10	1.Y06143	159
GT-NWR20	1.Y06144	159
GT-NWR30	1.Y06145	159
GT-NWS1	1.Y06146	159
GT-NWS10	1.Y02979	159
GT-NWS20	1.Y06147	159
GT-NB20LW-10TM	1.Y06148	159
GT-NB30LW-10TM	1.Y04593	159
GT-NB20LW-10SM	1.Y06149	159
GT-NB30LW-10SM	1.Y06150	159
N3AS	1.Y01534	160
N3HS	1.Y04954	160
N5AS	1.Y02440	160
N5HS	1.Y06151	160
N7AS	1.Y06152	160
N7HS	1.Y02078	160
N10AS	1.Y06153	160
N10HS	1.Y06154	160
N10LAS	1.Y03670	160
N12AS	1.Y05861	160
N12HS	1.Y06155	160
N20AS	1.Y00066	160
N30AS	1.Y06156	160
NW1BJ	1.Y06157	160
N3BJ	1.Y01270	160
N5BJ	1.Y06158	160
N7BJ	1.Y06159	160
NW10BJ	1.Y02980	160
NW20BJ	1.Y03431	160
NW30BJ	1.Y06160	160
N20AG	1.Y06174	160
N20HS	1.Y00063	160
N30BBB	1.Y02533	161
N50BBB	1.Y06161	161
N20BFB	1.Y01647	161
N50AS	1.Y04623	161
N30ACD	1.Y03115	161



Index

Model	PN	Page
N3AP	1.Y05931	162
N5AP	1.Y00077	162
N7AP	1.Y00955	162
N10AP	1.Y01444	162
N10LAP	1.Y00956	162
N12AP	1.Y06167	162
N20AP	1.Y00060	162
N30AP	1.Y00062	162
N3AE	1.Y03037	162
N5AE	1.Y02106	162
N7AE	1.Y03325	162
N20AE	1.Y00057	162
N30AE	1.Y00061	162
NW10AJ	1.Y06168	162
N20AJ	1.Y00056	162
N20AJB	1.Y00033	162
NW20AJ	1.Y06169	162
N30AJ	1.Y00059	162
NW30AJ	1.Y06170	162
N10LAJ141	1.Y01176	163
N20AJL	1.Y00035	163
N20AB39	1.Y00028	163
N30AJ163	1.Y04313	163
N30AJL	1.Y00067	163
N7PF	1.Y06171	163
N10LPF	1.Y06172	163
N20PF	1.Y00065	163
N30PF	1.Y00058	163
N20AH	1.Y00032	163
N20AML1498	1.Y00047	164
N20AMR1499	1.Y00046	164
N10LAB152	1.Y06173	164
N20AA27	1.Y00030	164
N20AA239	1.Y00045	164
N20AB360	1.Y00042	164
N30AA114	1.Y00052	164
N20AE19	1.Y00071	164
N30AE53	1.Y00078	164
N20AH533	1.Y04197	165
N20AH152	1.Y06199	165
N30AL525	1.Y00050	165
N20AK249	1.Y00051	166
N20AE1205		166
NR20-P	8.Y00113	167
NR30-P	8.Y00237	167
NS20-P	8.Y00079	167
NS30-P	8.Y00080	167
NT-2010TM-P	8.Y00006	168
NT-2010SM-P	8.Y00003	168
NY10-P	8.Y00270	168
NY15-P	8.Y00249	168
GT-BH2060	8.Y00346	168

Vacuum Module

Model	STN	SI	NBR	Page
VS-PG2	-	1.Y03289	1.Y09807	169
VS-PG3.5	-	1.Y03290	1.Y09808	169
VS-PG5	-	1.Y03291	1.Y09809	169
VS-PG6	1.Y05881	1.Y03292	1.Y09810	169
VS-PG8	1.Y05882	1.Y03293	1.Y09811	169
VS-PG10	1.Y05883	1.Y03294	1.Y09812	169
VS-PG15	1.Y05884	1.Y03301	1.Y09813	169
VS-PG20	1.Y05885	1.Y03295	1.Y09814	169
VS-PG25	1.Y05886	1.Y03296	1.Y09815	169
VS-PG30	1.Y05887	1.Y03297	1.Y09816	169
VS-PG35	-	1.Y03298	1.Y09817	169
VS-PG40	1.Y05889	1.Y03299	1.Y09818	169
VS-PG50	1.Y05890	1.Y03300	1.Y09819	169

Model	STN	SI	NBR	Page
VS-PG60	1.Y05891	1.Y03302	1.Y09820	169
VS-PG80	1.Y05892	1.Y03303	1.Y09821	169
VS2-SA5	1.Y05308	1.Y05178	1.Y09822	170
VS2-SA11	1.Y04899	1.Y03085	1.Y09823	170
VS2-SA14	1.Y05309	1.Y03311	1.Y09824	170
VS2-SA16	1.Y04659	1.Y03086	1.Y09825	170
VS2-SA18	1.Y05315	1.Y05317	1.Y09826	170
VS2-SA20	1.Y05310	1.Y03088	1.Y09827	170
VS2-SA22	1.Y04658	1.Y03312	1.Y09828	170
VS2-SA25	1.Y04657	1.Y03089	1.Y09829	170
VS2-SA33	1.Y04656	1.Y03090	1.Y09830	170
VS2-SA43	1.Y04655	1.Y04636	1.Y09831	170
VS2-SA53	1.Y04654	1.Y03313	1.Y09832	170
VS2-SA63	1.Y04653	1.Y04637	1.Y09833	170
VS3-S5	1.Y05304	1.Y05297	1.Y09834	171
VS3-S7	1.Y05286	1.Y05636	1.Y09836	171
VS3-S9	1.Y05634	1.Y05299	1.Y09837	171
VS3-S12	1.Y05630	1.Y05300	1.Y09838	171
VS3-S14	1.Y05635	1.Y05301	1.Y09839	171
VS3-S18	1.Y05305	1.Y05302	1.Y09840	171
VS3-S20	1.Y05287	1.Y03314	1.Y09841	171
VS3-S25	1.Y05288	1.Y03315	1.Y09842	171
VS3-S32	1.Y05289	1.Y03316	1.Y09843	171
VS3-S42	1.Y05290	1.Y03317	1.Y09844	171
VS3-S52	1.Y05291	1.Y03318	1.Y09845	171
VS3-S62	1.Y05292	1.Y03319	1.Y09846	171

Model	STN	SI	Page
VS-PO24	1.Y08504	1.Y08506	172
VS-PO357	1.Y08505	1.Y08507	172
VS-PO515	1.Y05638	1.Y03306	172
VS-PO618	1.Y05639	1.Y03307	172
VS-PO824	1.Y05640	1.Y03308	172
VS-PO1030	1.Y05641	1.Y03309	172
VS-PO1545	1.Y05642	1.Y03310	172
VS-PO2060	1.Y05643	1.Y05646	172
VS-PO2575	1.Y05644	1.Y05647	172
VS-PO3090	1.Y05645	1.Y05648	172

Model	SI	Page
VSH-S2	1.Y07282	173
VSH-S4	1.Y07283	173
VSH-S6	1.Y07284	173
VSH-S8	1.Y07285	173
VSH-S10	1.Y07286	173
VSH-S12	1.Y07287	173
VSH-S15	1.Y07288	173
VSH-S20	1.Y07289	173
VSH-S25	1.Y07290	173
VSH-S30	1.Y07291	173
VSH-M4	1.Y07292	173
VSH-M6	1.Y07293	173
VSH-M8	1.Y07294	173
VSH-M10	1.Y07295	173
VSH-M12	1.Y07296	173
VSH-M15	1.Y07297	173
VSH-M20	1.Y07298	173
VSH-M25	1.Y07299	173
VSH-M30	1.Y07300	173
VSH-M40	1.Y07301	173
VSH-M50	1.Y07302	173
VSH2-S4	1.Y07303	174
VSH2-S6	1.Y07304	174
VSH2-S8	1.Y07305	174
VSH2-S10	1.Y07306	174
VSH2-S12	1.Y07307	174
VSH2-S15	1.Y07308	174
VSH2-S20	1.Y07309	174
VSH2-S25	1.Y07310	174

Model	SI	Page
VSH2-S30	1.Y07311	174
VSH2-M6	1.Y07312	174
VSH2-M8	1.Y07313	174
VSH2-M10	1.Y07314	174
VSH2-M12	1.Y07315	174
VSH2-M15	1.Y07316	174
VSH2-M20	1.Y07317	174
VSH2-M25	1.Y07318	174
VSH2-M30	1.Y07319	174
VSH2-M35	1.Y07320	174
VSH2-M40	1.Y07321	174
VSH2-M50	1.Y07322	174
VSH3-S6	1.Y07323	175
VSH3-S8	1.Y07324	175
VSH3-S10	1.Y07325	175
VSH3-S12	1.Y07326	175
VSH3-S15	1.Y07327	175
VSH3-M8	1.Y07328	175
VSH3-M10	1.Y07329	175
VSH3-M12	1.Y07330	175
VSH3-M15	1.Y07331	175
VSH3-M20	1.Y07332	175
VSH3-M25	1.Y07333	175
VSH3-M30	1.Y07334	175
VSH3-M40	1.Y07335	175
VSH3-M50	1.Y07336	175

Model	F38G	M38G	Page
VFC 35	1.Y08448	1.Y08477	176
VFC 50	1.Y08449	1.Y08478	176
VFC 75	1.Y08450	1.Y08503	176
VFC 100	1.Y08451	1.Y08479	176
VFC 125	1.Y08452	1.Y08480	176
VOFC 2565	1.Y08453	1.Y08481	176
VOFC 3080	1.Y08454	1.Y08482	176
VOFC 4080	1.Y08455	1.Y08483	176
VOFC 50100	1.Y08484	1.Y08485	176
VBC 22	1.Y08456	1.Y08486	177
VBC 30	1.Y08457	1.Y08487	177
VBC 45	1.Y08458	1.Y08488	177
VBC 60	1.Y08459	1.Y08489	177
VBC 85	1.Y08460	1.Y08490	177
VBC 115	1.Y08461	1.Y08491	177
VOBC3065	1.Y08462	1.Y08492	177
VOBC4080	1.Y08463	1.Y08493	177
VOBC55110	1.Y08464	1.Y08494	177
VOBC70140	1.Y08465	1.Y08495	177

Model	PN	Page
VM02-G18	7.Y00703	178
VM04-G14	7.Y00709	178
VM06-G14	7.Y00768	178
VM07-G18	7.Y00767	178
VM08-M8	1.Y05275	178
VM09-M5	1.Y05274	178
VM10-G18	7.Y00902	179
VM11-M5	1.Y05327	179
VM12-M5	7.Y00762	179
VM13-M5	7.Y00761	179
VM14-M5	7.Y00760	179
VM15-G18	7.Y00759	179
VM16-G18	7.Y00758	180
VM17-G18	7.Y00757	180
VM18-M5	1.Y05314	180
VM20-G14	4.Y00058	180
VM21-M5	1.Y01986	180
VM22-M5	1.Y05790	180
VM23-G18	7.Y00900	181
VM24-G18	7.Y00898	181



Index

Model	PN	Page)
VM25-M3	7.Y00928	181
VM27-M5	1.Y01097	181
VM28-M8	7.Y00475	181
VM-G18M-M10M	7.Y00808	182
VM-G14M-M10M	7.Y00756	182
VM-G18M-M5F	7.Y00755	182
VM-G18M-M8F	7.Y00754	182
VM-M5M-M8F	7.Y00473	182
VM-M5M-G18F	7.Y00474	182
VM-G14M-M8F	7.Y00476	183
VFN1011-M5	8.Y00064	185
VFN1021-M5	8.Y00321	185
VFN1421-G18	8.Y00065	185
VFN1436-G18	8.Y00322	185
VFN2026-G18	8.Y00066	185
VFN2051-G18	8.Y00067	185
VFNT1011-M5	8.Y00068	185
VFNT1021-M5	8.Y00323	185
VFNT1421-G18	8.Y00204	185
VFNT1621-G18	8.Y00383	185
VFNT1436-G18	8.Y00324	185
VFNT1636-G18	8.Y00384	185
VFNT2026-G18	8.Y00205	185
VFNT2051-G18	8.Y00206	185
VFR1011-M5	8.Y00060	186
VFR1021-M5	8.Y00325	186
VFR1421-G18	8.Y00061	186
VFR1436-G18	8.Y00326	186
VFR2026-G18	8.Y00062	186
VFR2051-G18	8.Y00063	186
VFRT1011-M5	8.Y00074	186
VFRT1021-M5	8.Y00327	186
VFRT1421-G18	8.Y00075	186
VFRT1621-G18	8.Y00381	186
VFRT1436-G18	8.Y00328	186
VFRT1636-G18	8.Y00382	186
VFRT2026-G18	8.Y00076	186
VFRT2051-G18	8.Y00077	186
VFE1011-M5	8.Y00070	187
VFE1021-M5	8.Y00371	187
VFE1421-G18	8.Y00071	187
VFE1436-G18	8.Y00372	187
VFE2026-G18	8.Y00072	187
VFE2051-G18	8.Y00073	187
VFET1011-M5	8.Y00069	187
VFET1021-M5	8.Y00374	187
VFET1421-G18	8.Y00228	187
VFET1621-G18	8.Y00379	187
VFET1436-G18	8.Y00375	187
VFET1636-G18	8.Y00380	187
VFET2026-G18	8.Y00229	187
VFET2051-G18	8.Y00230	187
VFC2030-G18	8.Y00313	188
VFCT1620-M5	8.Y00277	188
VFCT2030-G18	8.Y00314	188
VFG20-10	8.Y00207	189
VFG20-20	8.Y00337	189
VFG30-20	8.Y00338	189
VFRT-7M5	1.Y05764	189
VFRT-15M5	1.Y05765	189
VFRT-30M5	1.Y05766	189
VSR-S2	1.Y00435	189
VSR-S4	1.Y00436	189
VSR-S6	1.Y03350	189
VSR-S8	1.Y00442	189
VSR3-S5	1.Y04179	189
VSR3-S7	1.Y04444	189

Model	PN	Page
VFRS-20M10-M5	4.Y00026	190
VFRS-20M16-G18	4.Y00023	190
VFM-4014-G18	1.Y01452	190
VFM-2020-G14	1.Y01451	190
VFL-20M17-G18	1.Y01453	190
VFMT-20M14-G18	8.Y00319	190
VFMT-40M14-G18	8.Y00320	190
VFST-5M10	1.Y04942	191
VFST-10M10	1.Y00533	191
VFST-20M10	1.Y00531	191
VFST-30M10	1.Y01566	191
VFS-58	1.Y05260	191
VFS-512	1.Y05756	191
VFS-108	1.Y05261	191
VFS-1012	8.Y00007	191
VFS-208	1.Y05262	191
VFS-2012	8.Y00008	191
VFS-308	1.Y05757	191
VFS-3012	1.Y05758	191
VFMT-5M12	1.Y00527	191
VFMT-10M12	1.Y00522	191
VFMT-20M12	1.Y00523	191
VFMT-30M12	1.Y00521	191
VFM-512	1.Y05759	191
VFM-520	1.Y05760	191
VFM-1012	1.Y03068	191
VFM-1020	1.Y05761	191
VFM-2012	1.Y04279	191
VFM-2020	1.Y05762	191
VFM-3012	1.Y03069	191
VFM-3020	1.Y05763	191
VUUG-LK14-M52-AT-G18-1HZL-S	1.Y06040	192
VUUG-LK14-B52-T-G18-1HZL-W1-S	1.Y06288	192
VUUG1/8-LK-2F	1.Y06289	192
VUUG1/8-LK-3F	1.Y06290	192
VUUG1/8-LK-4F	1.Y06291	192
VUUG1/8-LK-5F	1.Y06292	192
VUUG1/8-LK-6F	1.Y06293	192
VUUG1/8-LK-7F	1.Y06294	192
VUUG1/8-LK-8F	1.Y06042	192
VUUG1/8-LK-9F	1.Y07453	192
VUUG1/8-LK-10F	1.Y06295	192
VUUG1/8-LK-11F	1.Y09872	192
VUUG1/8-LK-12F	1.Y09873	192
VUUG1/8-LK-13F	1.Y09874	192
VUUG1/8-LK-14F	1.Y09875	192
VUUG1/8-LK-15F	1.Y09876	192
VUUG1/8-LK-16F	1.Y09877	192
VUUG1/8-LK-17F	1.Y09878	192
VUUG1/8-LK-18F	1.Y09879	192
VUUG1/8-LK-19F	1.Y09880	192
VUUG1/8-LK-20F	1.Y09881	192
VPN-20	1.Y05963	193
VPD-12	1.Y05964	195
VPD-15	1.Y05965	195
VPD-20	1.Y05966	195
LEMAR90X14S	1.Y05969	196
LCPX90X14SL15PQ11.Y05970	196	
Accessory Components		
ASC-8A-B	8.Y00087	198
AJB4M8-3P-M12	4.Y00487	200
AJB4M8-3N-M12	4.Y00488	200
ELK8112-0/9	1.Y07461	200
M8-M03T	1.Y06722	200
ELK8-2M/P00	1.Y07462	200
AJB8M8-3P-M16	4.Y00491	201
AJB8M8-3N-M16	4.Y00492	201

Model	PN	Page
DNLK14-14-2M/P00	1.Y07463	201
AJB8M8-3P-D2	4.Y00495	202
AJB8M8-3N-D2	4.Y00496	202
ARJ210-M5	1.Y05877	203
-	1.Y02592	203
APB-M3-Ø4	1.Y03145	204
APB-M5-Ø4	1.Y05008	204
APB-M5-Ø6	1.Y01986	204
APF-M3	1.Y06794	204
APF-M5	1.Y02510	204
APF-G18	1.Y00462	204
APF-G14	1.Y00463	204
APC4-M5	1.Y03809	205
APC4-01	1.Y02726	205
APC4-02	1.Y04049	205
APC6-M5	1.Y03039	205
APC6-01	1.Y02725	205
APC6-02	1.Y04048	205
APC6-03	1.Y05531	205
APC8-01	1.Y04537	205
APC8-02	1.Y05532	205
APC8-03	1.Y05533	205
APC10-01	1.Y05534	205
APC10-02	1.Y05535	205
APC10-03	1.Y05536	205
APL4-M5	1.Y02724	205
APL4-01	1.Y02810	205
APL4-02	1.Y03097	205
APL6-M5	1.Y02809	205
APL6-01	1.Y02722	205
APL6-02	1.Y03988	205
APL6-03	1.Y05539	205
APL8-01	1.Y02723	205
APL8-02	1.Y03812	205
APL8-03	1.Y05540	205
APL10-01	1.Y03096	205
APL10-02	1.Y05541	205
APL10-03	1.Y05542	205
APAX4-M5	1.Y05545	206
APAX4-01	1.Y05546	206
APAX4-02	1.Y05547	206
APAX6-M5	1.Y05548	206
APAX6-01	1.Y05549	206
APAX6-02	1.Y05550	206
APAX6-03	1.Y05551	206
APAX8-01	1.Y05552	206
APAX8-02	1.Y05553	206
APAX8-03	1.Y05554	206
APAX10-01	1.Y05555	206
APAX10-02	1.Y05556	206
APAX10-03	1.Y05557	206
APH4-M5	1.Y05560	206
APH4-01	1.Y05561	206
APH6-M5	1.Y05562	206
APH6-01	1.Y05563	206
APH6-02	1.Y05564	206
APH8-01	1.Y05565	206
APH8-02	1.Y05566	206
APH8-03	1.Y05567	206
APH10-02	1.Y05568	206
APH10-03	1.Y05569	206
APT4-M5	1.Y05571	207
APT4-01	1.Y05572	207
APT4-02	1.Y05573	207
APT6-M5	1.Y05574	207
APT6-01	1.Y05575	207
APT6-02	1.Y05576	207



Index

Model	PN	Page
APT6-03	1.Y05577	207
APT8-01	1.Y05578	207
APT8-02	1.Y05579	207
APT8-03	1.Y05580	207
APT10-01	1.Y05581	207
APT10-02	1.Y05582	207
APT10-03	1.Y05583	207
APU4	1.Y05586	207
APU6	1.Y05587	207
APU8	1.Y05588	207
APU10	1.Y05589	207
APG6-4	1.Y02813	207
APG8-4	1.Y05591	207
APG8-6	1.Y04086	207
APG10-6	1.Y05592	207
APG10-8	1.Y04087	207
APE4	1.Y02811	208
APE6	1.Y02812	208
APE8	1.Y05594	208
APE10	1.Y05595	208
APEG4-6	1.Y05597	208
APEG6-4	1.Y05598	208
APEG6-8	1.Y05599	208
APEG8-4	1.Y05600	208
APEG8-6	1.Y05601	208
APEG8-10	1.Y05602	208

Model	PN	Page
APEG10-6	1.Y05603	208
APEG10-8	1.Y05604	208
APEG10-12	1.Y05605	208
APY4	1.Y03810	208
APY6	1.Y03662	208
APY8	1.Y03095	208
APY10	1.Y05608	208
APRG6-4	1.Y05610	209
APRG8-6	1.Y05611	209
APKG6-4	1.Y05612	209
APKG8-4	1.Y05613	209
APKG8-6	1.Y05614	209
APKG10-6	1.Y05615	209
APKG10-8	1.Y05616	209
APGJ4-6	1.Y05617	209
APGJ6-4	1.Y05618	209
APGJ6-8	1.Y05619	209
APGJ8-4	1.Y05620	209
APGJ8-6	1.Y05621	209
APGJ8-10	1.Y05622	209
APGJ8-1/4	1.Y05623	209
AJSC4-M5	1.Y05866	210
AJSC4-01	1.Y05867	210
AJSC6-M5	1.Y05868	210
AJSC6-01	1.Y05869	210
AJSC6-02	1.Y05870	210

Model	PN	Page
AJSC8-01	1.Y05871	210
AJSC8-02	1.Y05872	210
AJSU4	1.Y05873	210
AJSU6	1.Y05874	210
AJSU8	1.Y05875	210
AJSU10	1.Y05876	210
AH4B	1.Y00824	211
AH4BU	1.Y03687	211
AH4G	1.Y00823	211
AH4T	1.Y03686	211
AH4Y	1.Y00821	211
AH4R	1.Y00822	211
AH4O	1.Y05661	211
AH6B	1.Y00830	211
AH6BU	1.Y00829	211
AH6G	1.Y00825	211
AH6T	1.Y00827	211
AH6Y	1.Y00828	211
AH6R	1.Y00826	211
AH6O	1.Y04640	211
AH8B	1.Y04478	211
AH8BU	1.Y00831	211
AH10B	1.Y04476	211
AH10BU	1.Y05660	211

A Global Famous Brand
An International Excellent Enterprise



บริษัท นานดีอินเตอร์เทรด จำกัด
NANDEE INTER-TRADE CO., LTD.

Tel : 0-2675-8230 (Auto), 0-2675-8240 (Auto)

Fax : 0-2212-1448, 0-2213-0360

 : *nandeeintertrade*

 : *@nandeeintertrade*

 : *www.nandee.co.th*