

Complex gripper, flexible assembly

4.2

ROBOTICS PARTS CATALOG



บริษัท นานดีอินเตอร์เทรด จำกัด
NANDEE INTER-TRADE CO., LTD.

Tel : 0-2675-8230 (Auto), 0-2675-8240 (Auto)
Fax : 0-2212-1448, 0-2213-0360

f : *nandeeintertrade*

LINE : *@nandeeintertrade*

globe : *www.nandee.co.th*

企业文化

CULTURE CORPORATE

使命: 为客户提供有效的解决方案, 共创! 共赢! 共享!
Mission: to provide customers with effective solutions and create together! Win win! Share!
愿景: 创全球知名品牌, 建国际卓越企业!
Vision: to create a global famous brand and build an international excellent enterprise!
经营理念: 简单的事情重复做, 重复的事情用心做!
Operation Concept: Repeating simple things, Repeating what you do attentively!

全球销售网络分布图 Global network sales location



敢于追求
创新立意



高度敏锐
放眼未来



使命必达
全力以赴



团队合作
不屈不挠



勇于尝试
敢于变革



代理商 Agent



CRG 致力於机器人、机械手末端组件夹具 (EOAT) 设计开发、销售及服务，专注于注塑自动化领域12年，以模块化理念让自动化设计更简单、更灵活、更可靠。

CRG has been involving in EOAT design、development、sale and service. We have been operating in the field of injection automation for more than twelve years. Base on module design concept, to makes automation design simpler、more flexible and more reliable.



一家创新进取的企业; 一家专注自动化科技的公司; 一家值得信赖合作伙伴
An innovative enterprise; a company specializing in automation technology; a trusted partner.

经营理念: 简单的事情重复做,你就是专家。重复的事情用心做,你就是赢家。

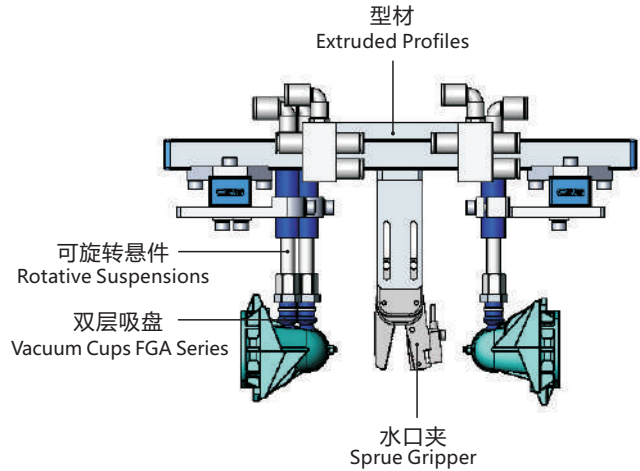
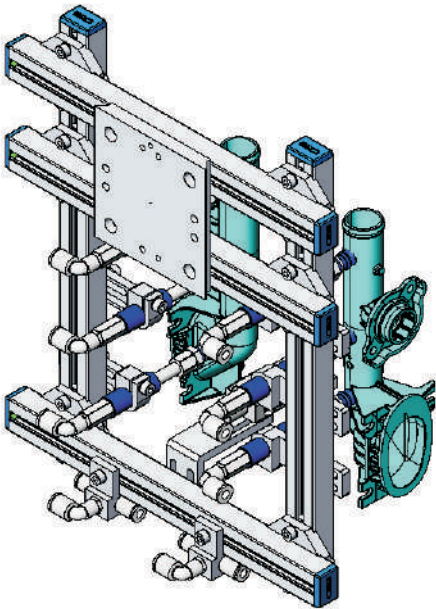
Operation Concept :Repeating simple things , you are the expert. Repeating what you do attentively,and you will be the winner.

销售理念: 为客户提供最好的保障，让客户无后顾之忧。

Sales Idea :To provide customers with the best service, so that customers worry free.

运用实例 Application examples

基础框架 Base Frame



产品描述：

产品为一模两穴

产品采用吸盘取出，料头用水口夹取出

气路为两吸一夹

夹具约为2.0 kg

Product Description:

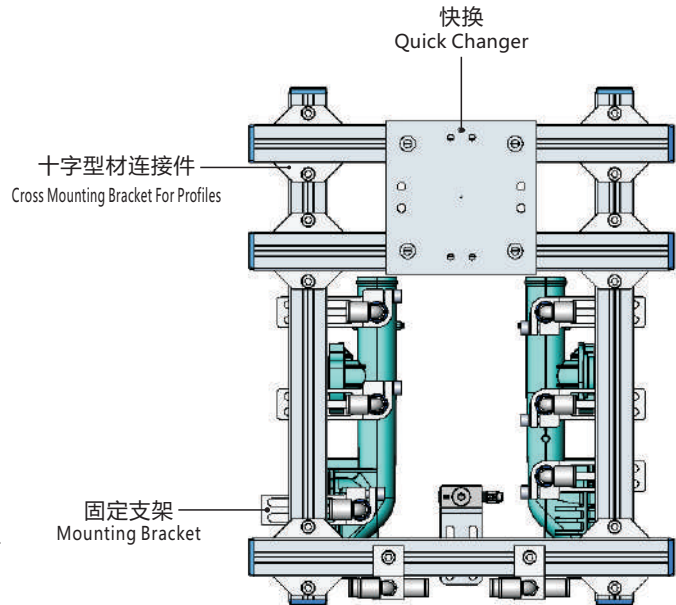
Two caves in one mold.

Take product out with vacuum cup;

Take sprue gate out with sprue gripper.

Gas circuit divides into two suction and one gripping.

The weight is about 2 kg.



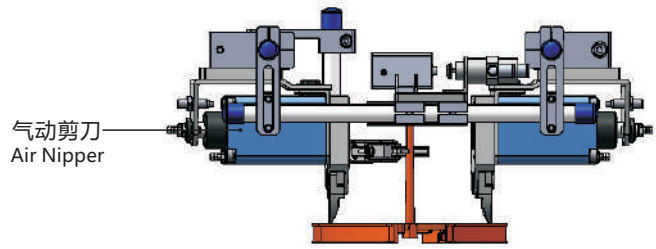
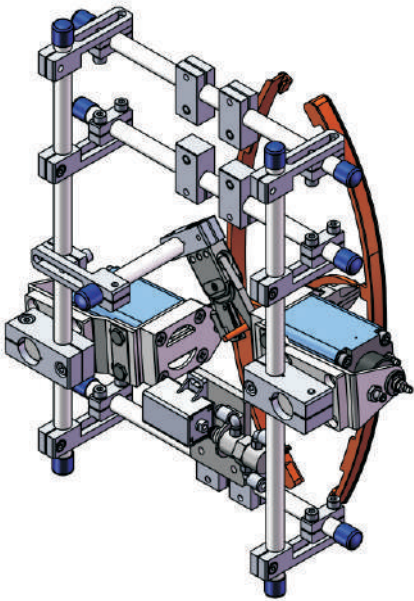
BOM清单 BOM List

品名 (Product Name)	货号 (PN)	型号 (Model)	用量 (Quantity)	品名 (Product Name)	货号 (PN)	型号 (Model)	用量 (Quantity)
快换 Quick Changer	7.Y00175	QCS-G100	1	可旋转悬件 Rotative Suspensions	8.Y00061	VFR1421-G18	6
水口夹 Sprue Gripper	8.Y00050	GR12A-12-CP	1	固定支架 Mounting Bracket	7.Y00200-T	SMBE1-1440T	6
型材端盖 Plugs for profile	4.Y00069	P2518	10	金属接头 Connector	1.Y02510	APF-M5	2
十字型材连接件 Cross Mounting Bracket For Profiles	7.Y00194-T	SMBA-2525T	6	汇流排 Side Manifold Block	7.Y00157	SMB-06M5	2
型材 Extruded Profiles	4.Y00455	PEP2518-1000	2	L型螺纹气管接头 L-type Threaded Hose Fitting	1.Y02722	APL6-01	8
吸盘FGA系列 Vacuum Cups FGA Series	1.Y12288	FGA-11-SI-55	6	直型螺纹气管接头 Straight Threaded Hose Fitting	1.Y02725	APC6-01	6
吸盘座 Vacuum Cup Fitting	7.Y01047	VM40-G18	6				

清单仅含CRG标准件 / The list contains only CRG standard parts.

运用实例 Application examples

基础框架 Base Frame



气动剪刀
Air Nipper

产品描述：

产品为一模两穴

采用水口夹取料头连带产品取出

夹具约为1.5 kg

Product Description:

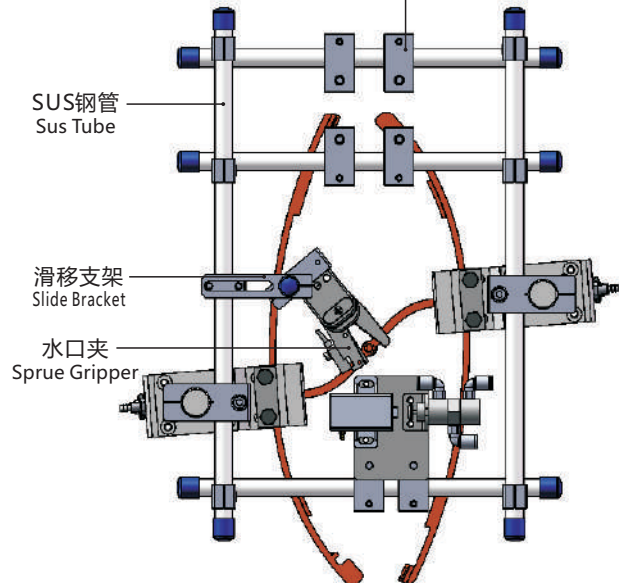
Two cavities in one mould;

Taking products out and clamping

the sprue by sprue gripper.

The weight is about 1.5 kg.

机械手固定支架
Manipulator fixing bracket



SUS钢管
Sus Tube

滑移支架
Slide Bracket

水口夹
Sprue Gripper

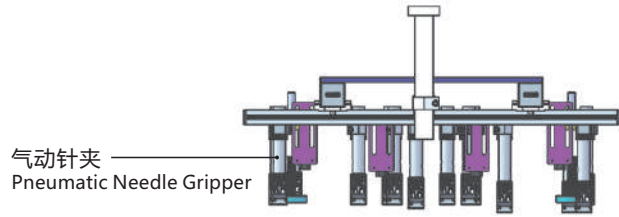
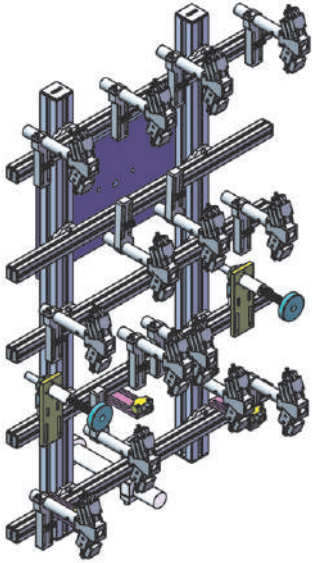
BOM清单 BOM List

品名 (Product Name)	货号 (PN)	型号 (Model)	用量 (Quantity)	品名 (Product Name)	货号 (PN)	型号 (Model)	用量 (Quantity)
SUS钢管 Sus Tube	4.Y00021	PST12-1500	2	机械手固定支架 Manipulator fixing bracket	7.Y00002	SMBH1-12M6	6
气动剪刀 Air Nipper	1.Y00004	GT-NY25	2	L型螺纹气管接头 L-type Threaded Hose Fitting	1.Y02809	APL6-M5	3
切塑料直刀头 Straight blades for plastic	1.Y00037	NY25AJ	2	滑移支架 Slide Bracket	7.Y00004	SCF4-1240W16	7
剪刀固定块 Fixing Block	7.Y00633	SCE2-25	2	滑移支架 Slide Bracket	7.Y00001	SMBS-12T16	7
钢管端盖 Tube Plugs	1.Y03638	P12BU	11	水口夹 Sprue Gripper	8.Y00091	GR12A-12-CN	1
十字连接块 Cross Connector	7.Y00027	SMBT-2012	2	十字连接块 Cross Connector	7.Y00020	SMBT-1212	1

清单仅含CRG标准件 / The list contains only CRG standard parts.

运用实例 Application examples

基础框架 Base Frame



产品描述：

产品为一模两穴

嵌件（无纺布）采用气动针夹取出，埋入
气路分为两路，一穴一路

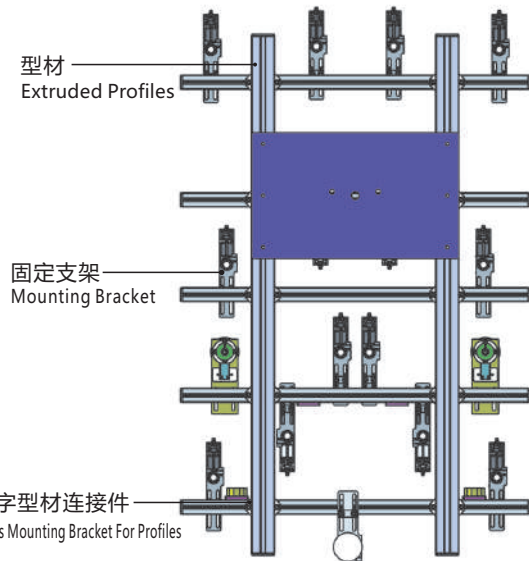
重量：7 kg

Product Description:

Two cavities in one mould; Take out or embed the insert (Non-woven fabric) by pneumatic needle gripper;

The gas circuit is divided into two paths; one cavity is one path.

Weight: 7 kg



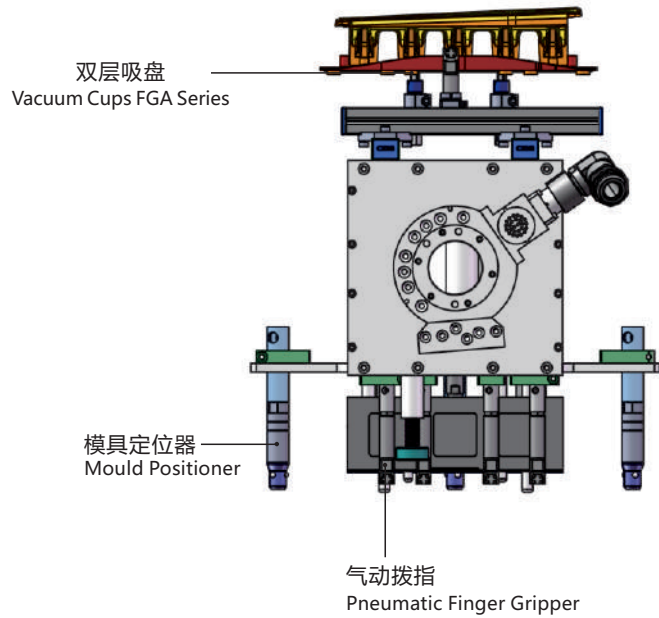
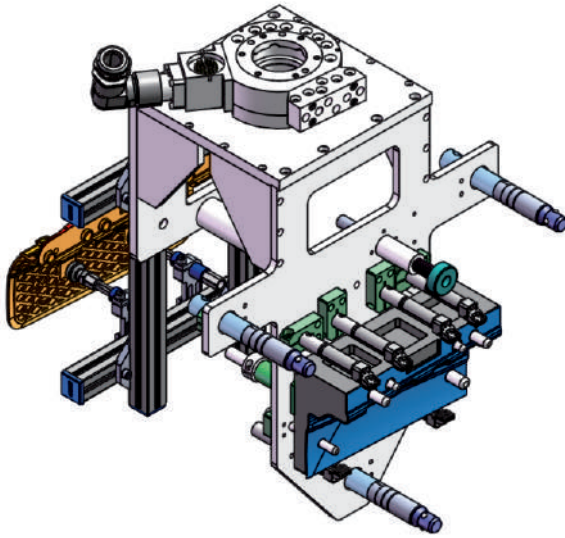
BOM清单 BOM List

品名 (Product Name)	货号 (PN)	型号 (Model)	用量 (Quantity)	品名 (Product Name)	货号 (PN)	型号 (Model)	用量 (Quantity)
型材 Extruded Profiles	4.Y00052	PEP4040-1000	2	十字型材连接件 Cross Mounting Bracket For Profiles	7.Y00356-T	SMBA-2540T	10
型材端盖 Plugs for profile	4.Y00072	P4040	4	气动针夹 Pneumatic Needle Gripper	8.Y00025	GN2010	14
型材 Extruded Profiles	4.Y00481	PEP2525-1500	2	固定支架 Mounting Bracket	7.Y00308-T	SMBE2-2060T	14
型材 Extruded Profiles	4.Y00481	PEP2525-1000	1	固定支架 Mounting Bracket	7.Y00309-T	SMBE2-3060T	1
型材端盖 Plugs for profile	4.Y00070	P2525	10				

清单仅含CRG标准件 / The list contains only CRG standard parts.

运用实例 Application examples

基础框架 Base Frame



产品描述：

产品为一模一穴

一侧取出，一侧埋入

取出侧：采用吸盘，拨指取出

气路为吸盘一路，拨指一路

埋入侧：采用仿形，拨指取嵌件，埋嵌件

气路为气缸一路，拨指一路，模具定位器一路

重量：9 kg

Product Description:

One cavity in one mould; Take out on one side ; embed on the

other side;One side: Taken out by vacuum cup and one finger

angular pneumatic gripper; The gas circuit is divided into two

paths including vacuum cups and one finger angular pneumatic

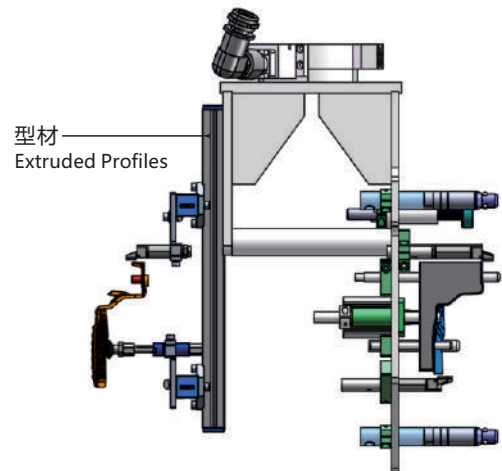
gripper; The other side: Profile modeling; Take out or embed

by one finger angular pneumatic gripper; The gas circuit is

divided into three paths including path of cylinder, path of one

finger angular pneumatic gripper and path of mould positioner;

Weight: 9Kg



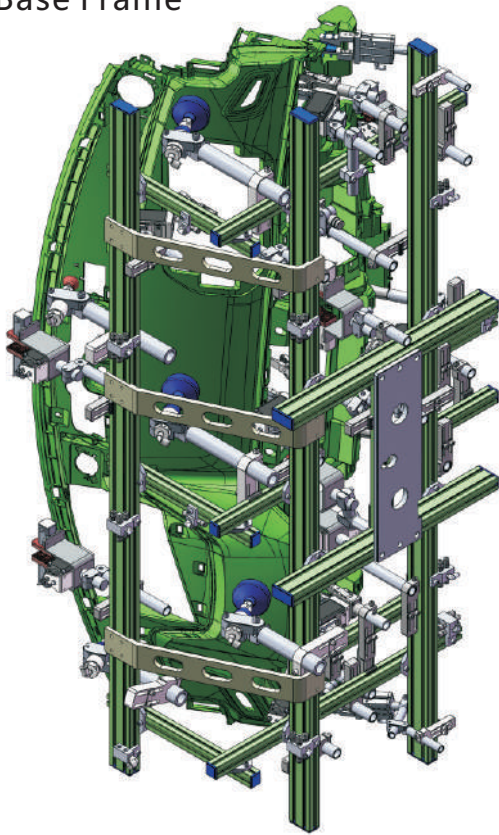
BOM清单 BOM List

品名 (Product Name)	货号 (PN)	型号 (Model)	用量 (Quantity)	品名 (Product Name)	货号 (PN)	型号 (Model)	用量 (Quantity)
型材 Extruded Profiles	4.Y00481	PEP2525-1500	1	气动拨指 Pneumatic Finger Gripper	8.Y00084	GFR14-95G	7
型材端盖 Plugs for profile	4.Y00070	P2525	8	延长杆 Extension Tube	7.Y00733	SMBY14-50	6
模具定位器 Mould Positioner	8.Y00088	GMP20A	3	固定支架 Mounting Bracket	7.Y00200-T	SMBE1-1440T	3
吸盘FGA系列 Vacuum Cups FGA Series	1.Y12301	FGA-20-HTI-60	2	十字型材连接件 Cross Mounting Bracket For Profiles	7.Y00194-T	SMBA-2525T	4
可旋转悬件 Rotative Suspensions	8.Y00061	VFR1421-G18	2	吸盘座 Vacuum Cup Fitting	7.Y01047	VM40-G18	2

清单仅含CRG标准件 / The list contains only CRG standard parts.

运用实例 Application examples

基础框架 Base Frame



产品描述：

治具名称：仪表盘取出治具

机台吨位：2700T

治具重量：25KG

料头数量：11个

本产品因成型周期短，需模内完成取出+剪切动作，剪切精度要求0.3mm以内，夹具采用无痕吸盘，夹持接触部位采用软胶垫，并使用角度可调多功能弯臂完成夹取。

Product Description:

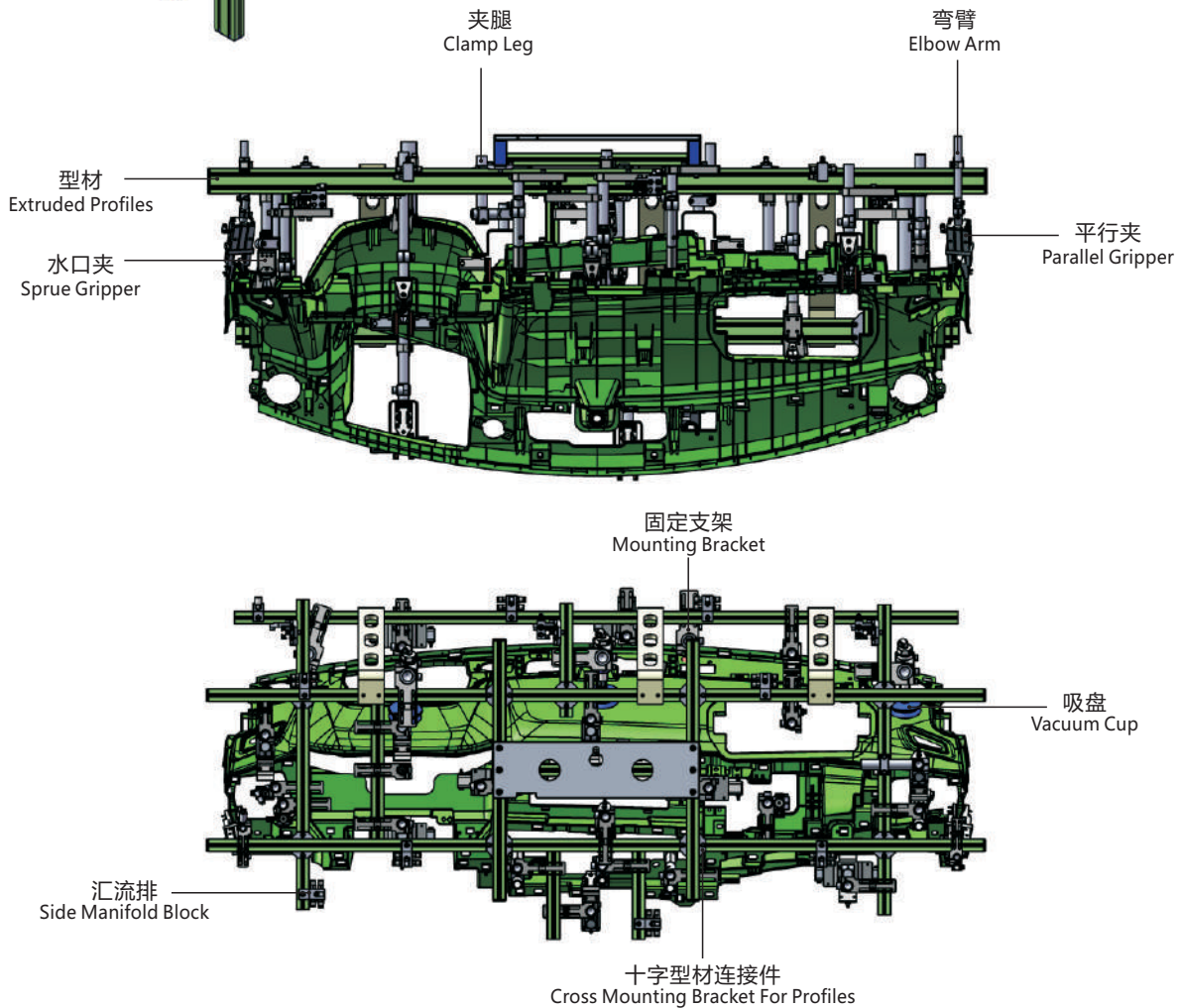
Name of fixture: Fixture of take out for instrument panel

Machine tonnage: 2700T

Weight of fixture: 25kg

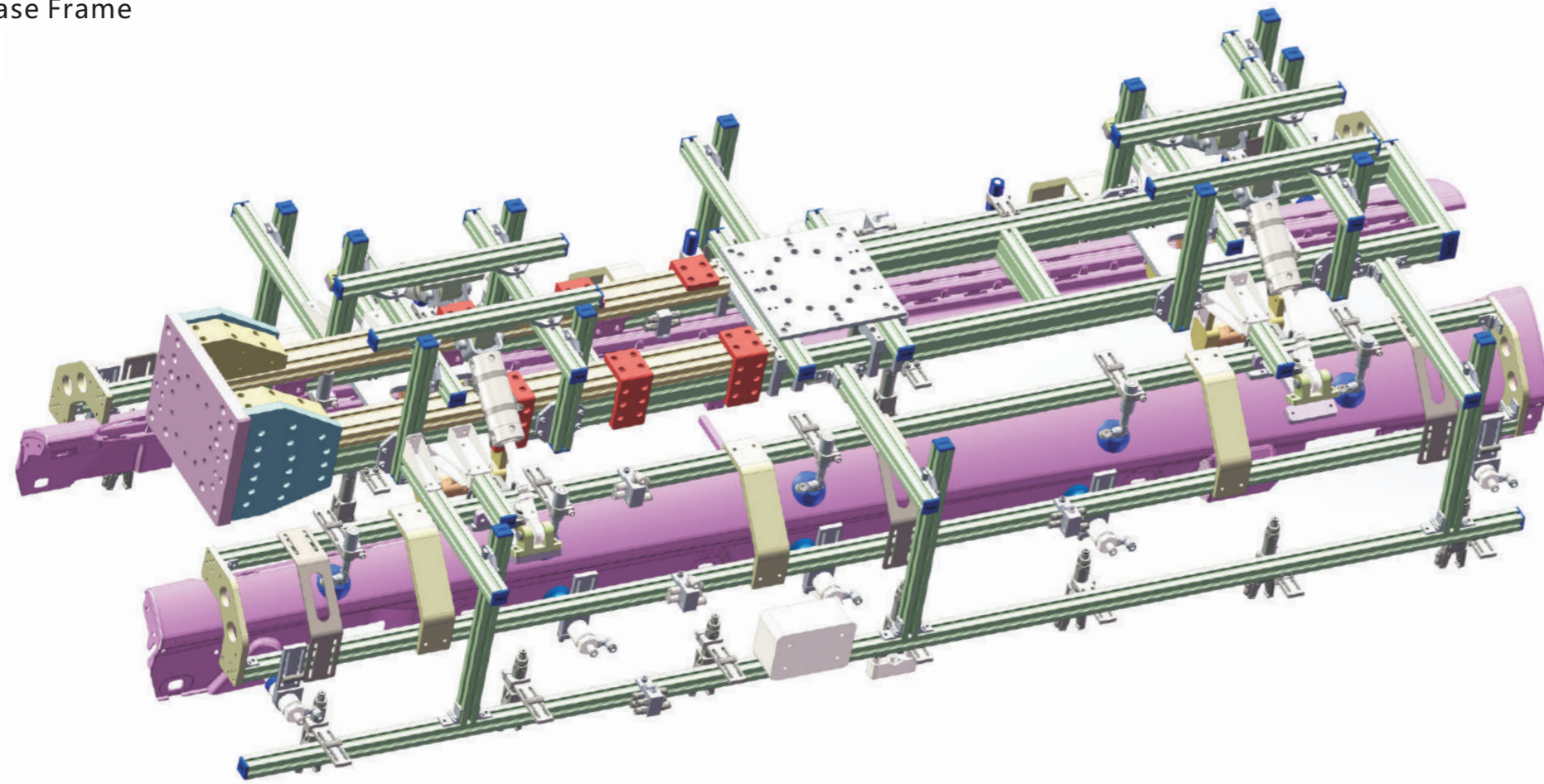
Sprue quantity: 11

Due to the short molding cycle, the product needs to be taken out and cut in the mold, and the shear accuracy is required to be within 0.3mm. The fixture adopts non-marking suction cups, the clamp interface adopts soft rubber pad, and the angle can be adjust by multifunctional to make elbow arm complete the clamping.



运用实例 Application examples

基础框架 Base Frame



产品描述：

治具名称：汽车门槛条取出治具

机台吨位：2700T

治具重量：80KG

料头数量：14个

汽车门槛条分为左右件，产品内有很长倒扣，顶出后无法水平取出，本产品采用无痕吸盘吸附，夹具具备旋转功能，可将产品顺利取出。

Product Description:

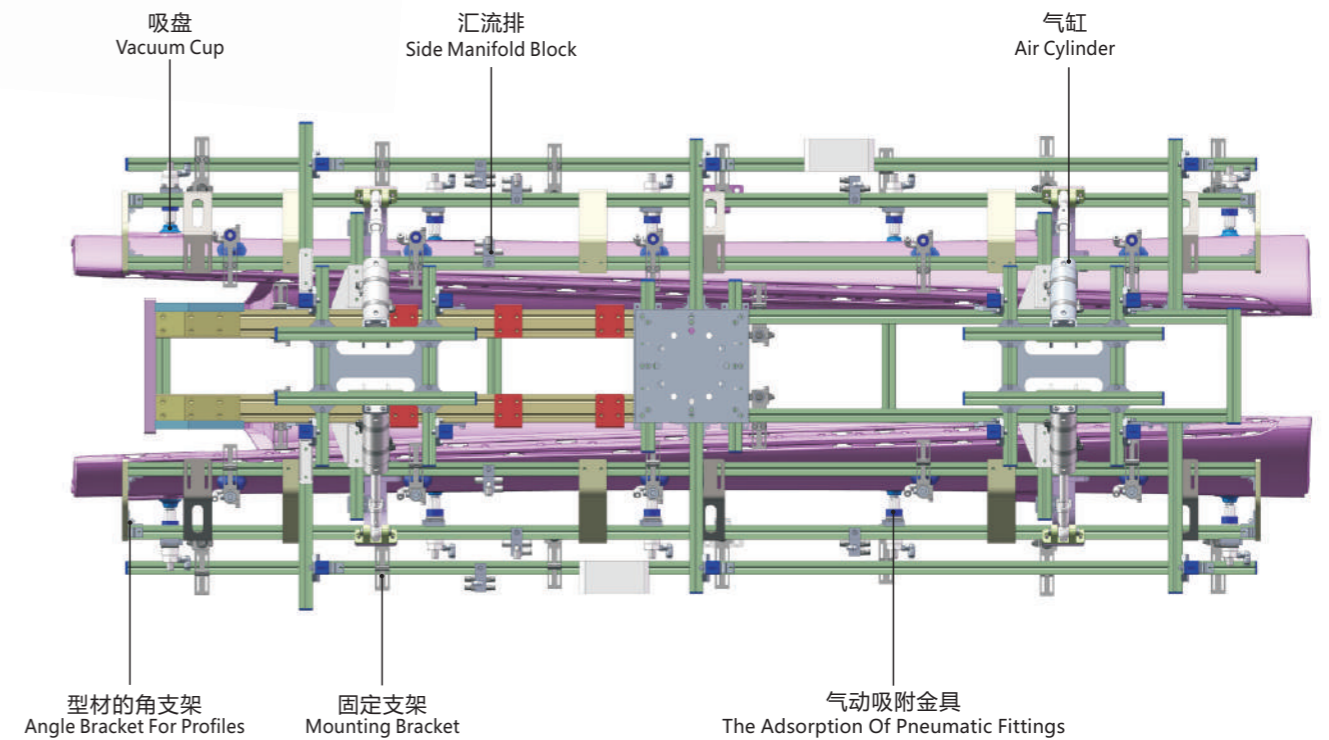
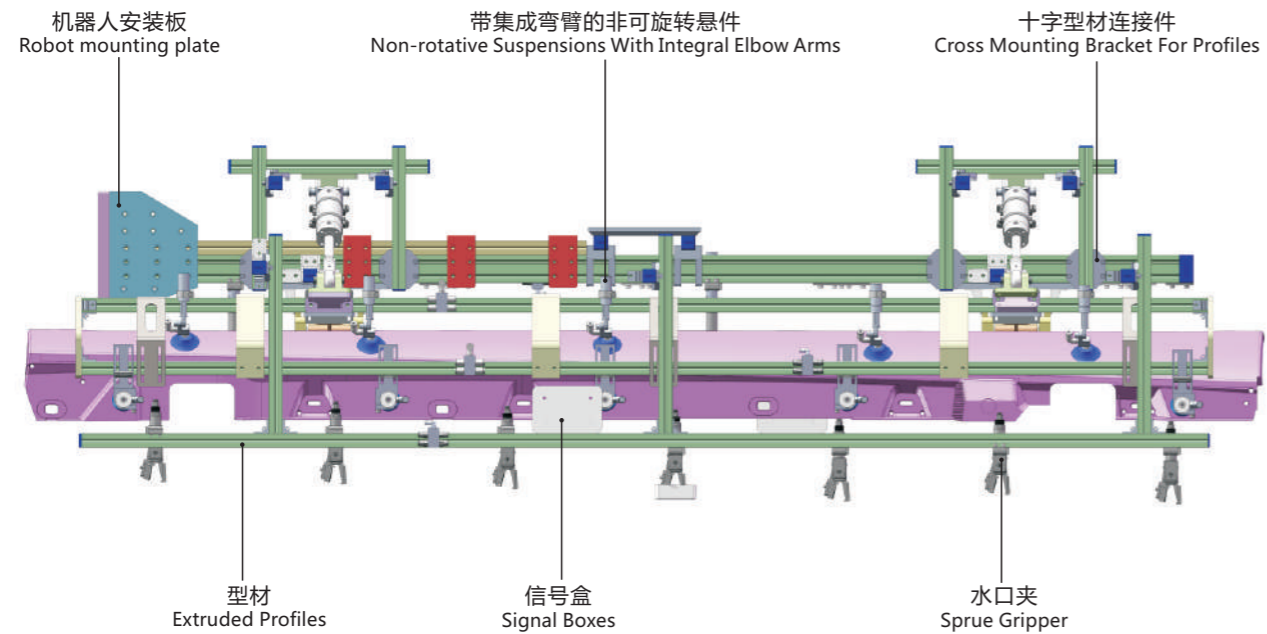
Tool Name: Fixture of take out for car threshold strip

Machine tonnage: 2700T

Weight of fixture: 80kg

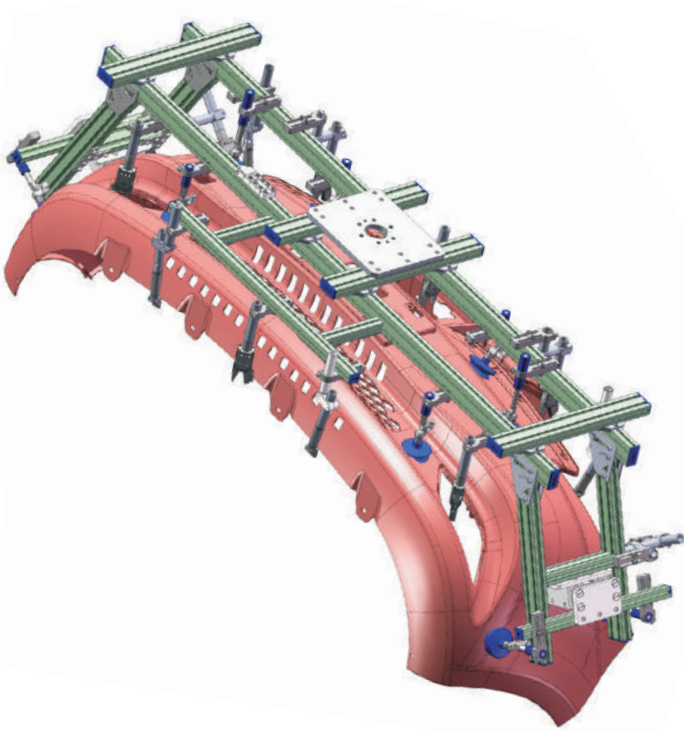
Sprue quantity: 14

The car threshold strip is divided into left and right parts. There has long under-cut in the product which can not be taken out horizontally after being ejected. The product is absorbed by non-marking suction cup, and the fixture has the function of rotation, so the product can be taken out smoothly.



运用实例 Application examples

基础框架 Base Frame



产品描述：

治具名称：保险杠取出治具

机台吨位：1800T

治具重量：20KG

料头数量：8个

产品无法顺利脱模，需配备气缸侧拉辅助，产品接触面采用无痕吸盘，夹持接触部位采用软胶垫，并使用角度可调多功能弯臂完成夹取。

Product Description:

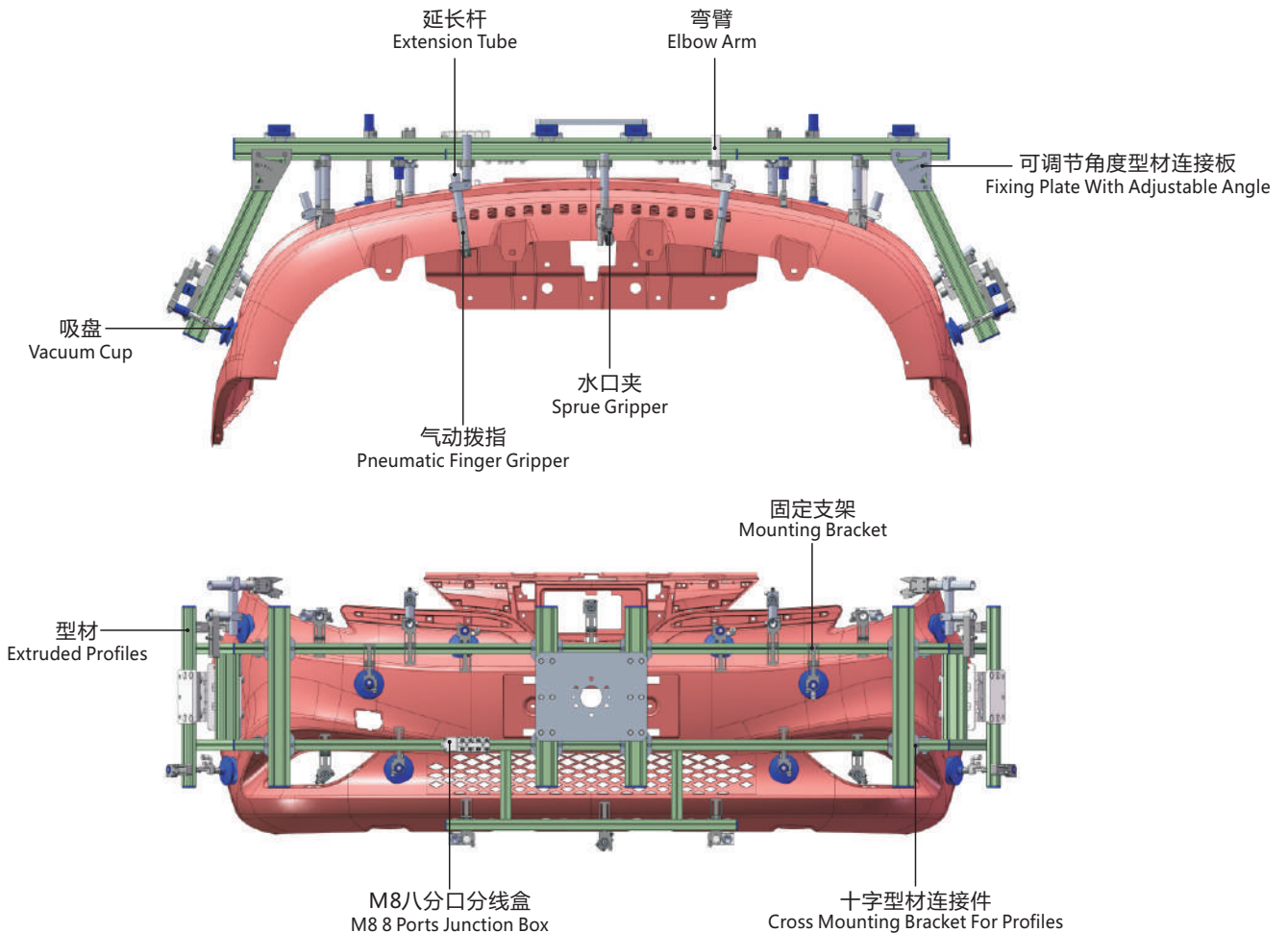
Fixture Name: Fixture of take out for bumper

Machine tonnage: 1800T

Weight of fixture: 20kg

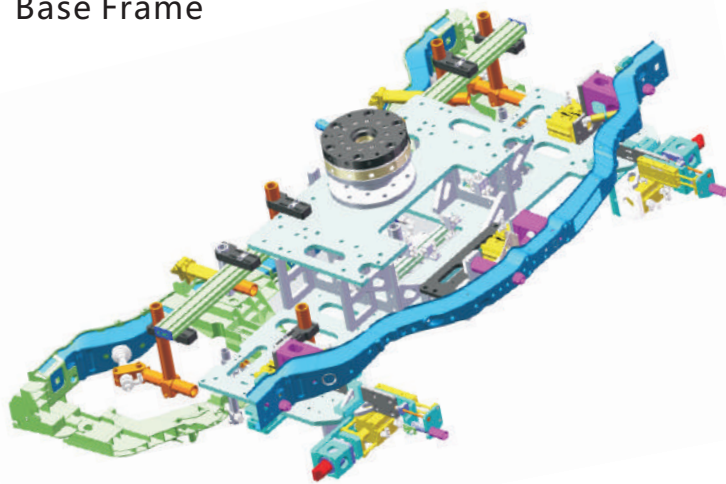
Sprue quantity: 8

It needs to be equipped with cylinder to pulling from side because the product can't be demoulding smoothly. The contact surface of the product adopts non-marking suction cup, the clamp interface adopts soft rubber pad, and the angle can be adjust by multifunctional to make elbow arm complete the clamping.



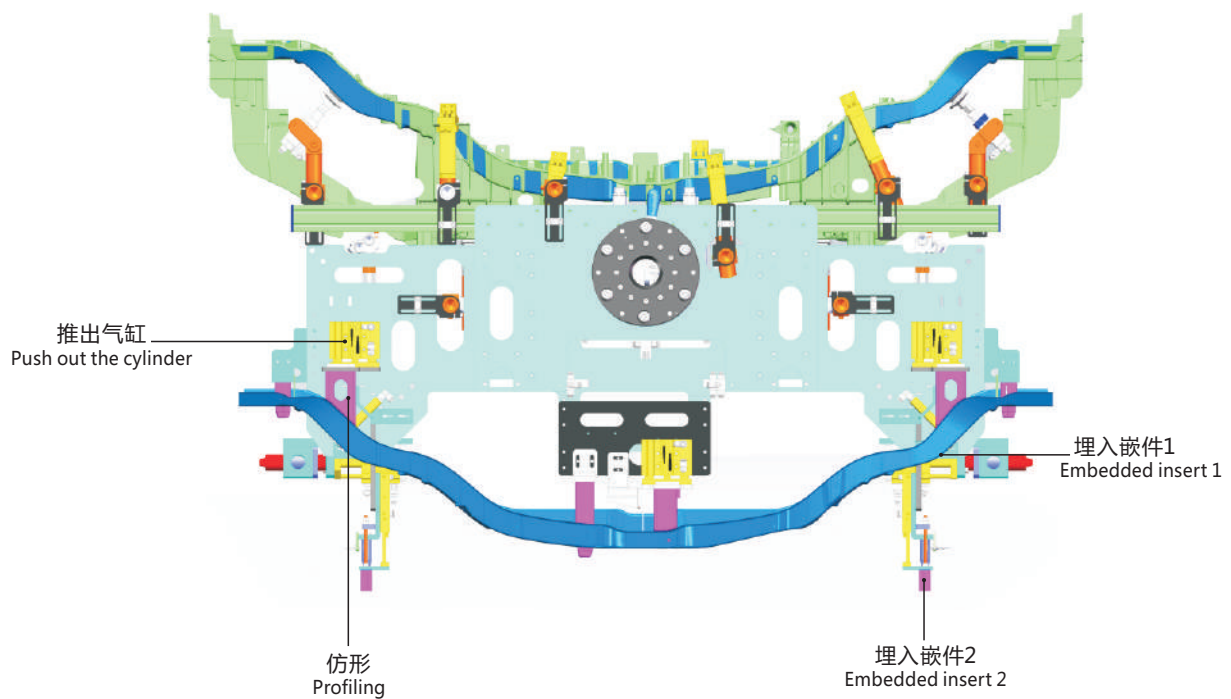
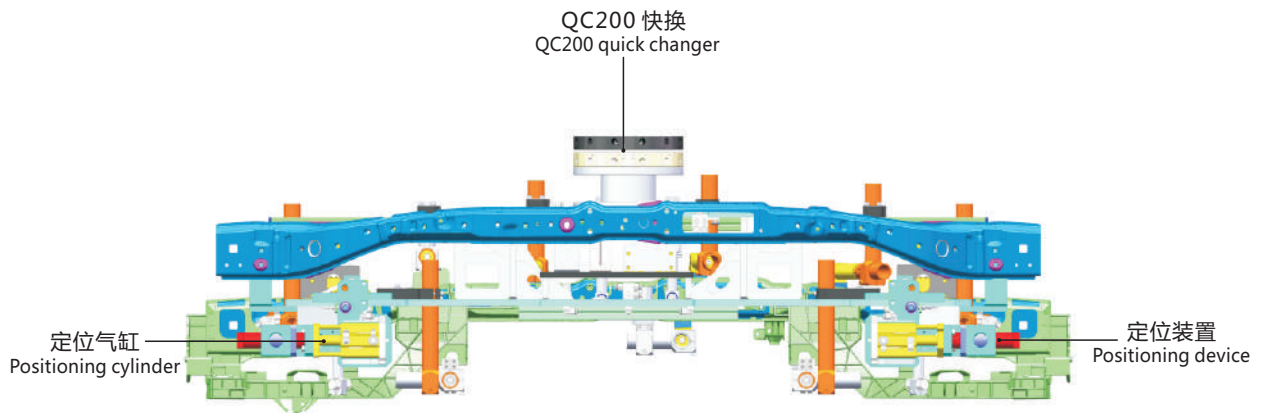
运用实例 Application examples

基础框架 Base Frame



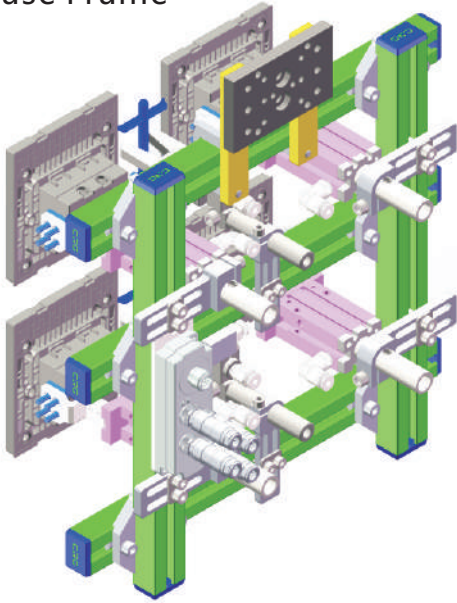
产品描述：
治具名称：汽车板筋埋入取出治具；
产品一模一穴；
治具一侧取件一侧埋件
气路为：五夹两吸
治具重约55kg

Product Description:
Name of fixture: Fixture of embed and take out for automobile
slat bars;
One cavity in one mould;
One side of the fixture is taken out and the other side is
embedded.
Gas circuit: five suction and two gripping.
The weight is about 55kg.



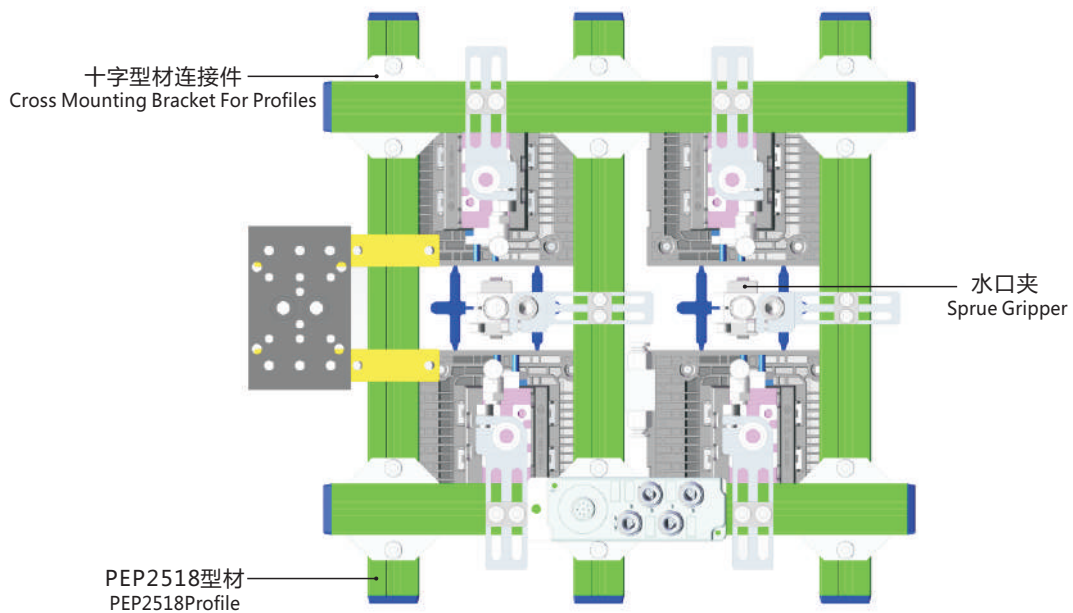
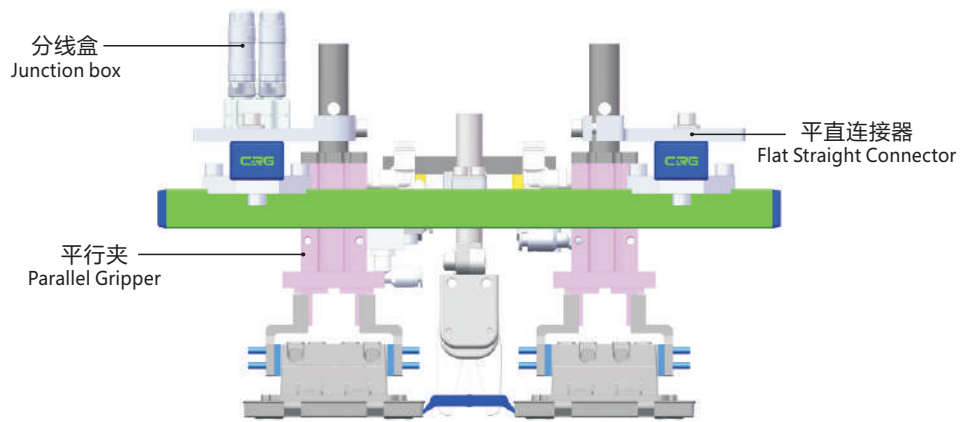
运用实例 Application examples

基础框架 Base Frame



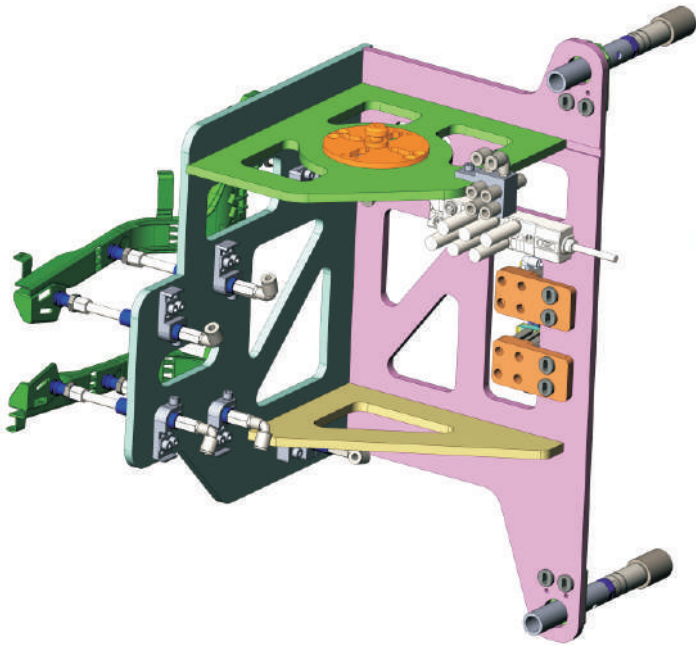
产品描述：
治具名称：开关面板取出治具；
产品一模四穴；
料头用水口夹夹取
气路为：二夹
治具重约6kg

Product Description:
Name of fixture: Fixture of take out for Switch panel ;
Four cavities in one mould;
Take sprue gate out with sprue gripper.
Gas circuit: two gripping.
The weight is about 6kg



运用实例 Application examples

基础框架 Base Frame



产品描述：

治具名称：铜螺母埋入取出治具；

产品一模二穴；

嵌件采用气缸推出，埋入；

气路：二吸二夹

治具重量：10kg

Product Description:

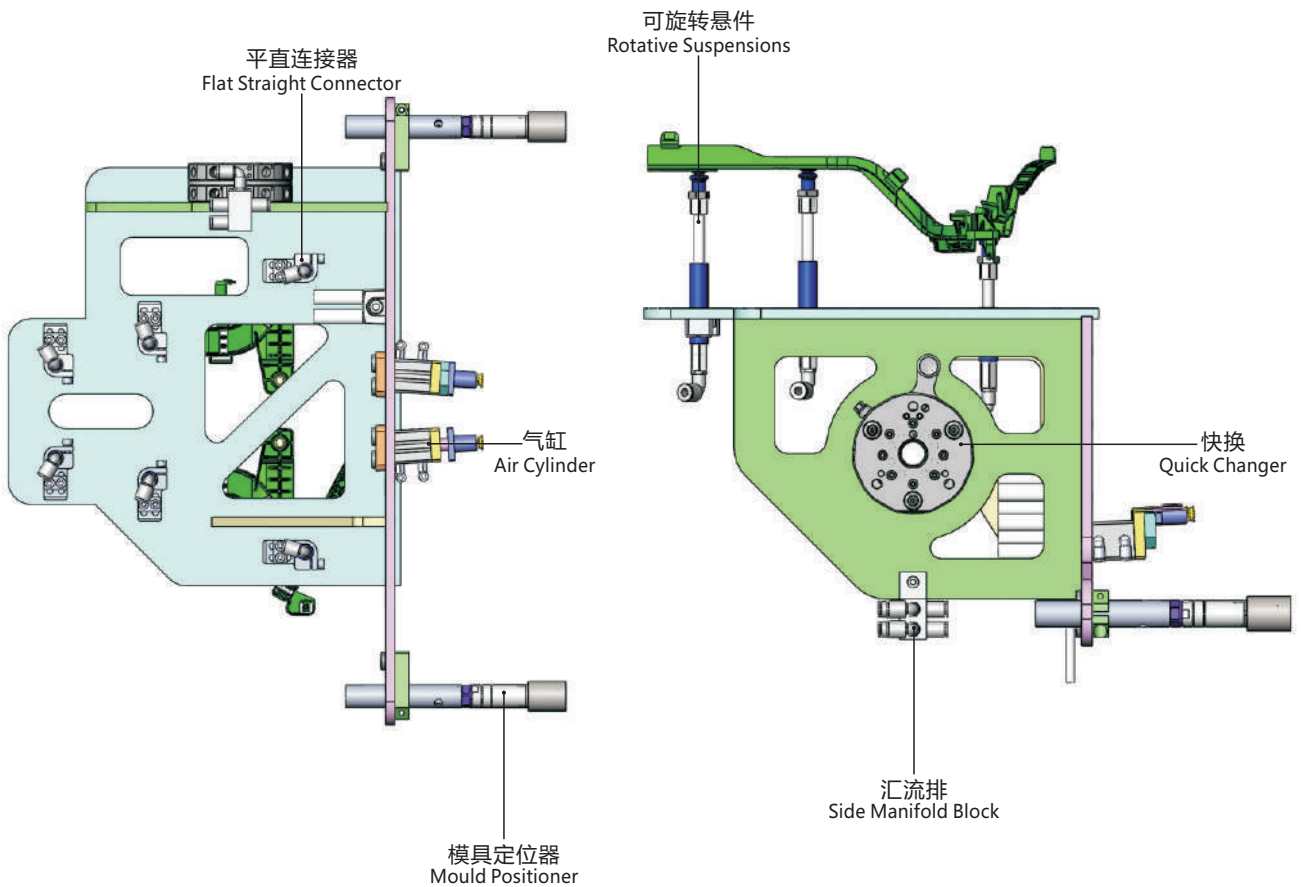
Name of fixture: Fixture of embed and take out for copper nut;

Two cavities in one mould;

The insert is pushed out by cylinder and embedded;

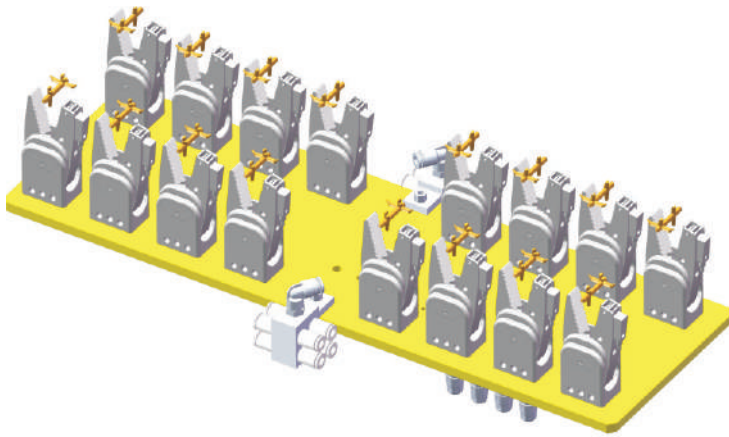
Gas circuit: two suction and two gripping.

Weight of fixture: 10kg



运用实例 Application examples

基础框架 Base Frame



产品描述：

治具名称：扎带料头取出治具；

产品一模十六穴；

料头采用水口夹取出

气路为：二夹

治具重约3.2kg

Product Description:

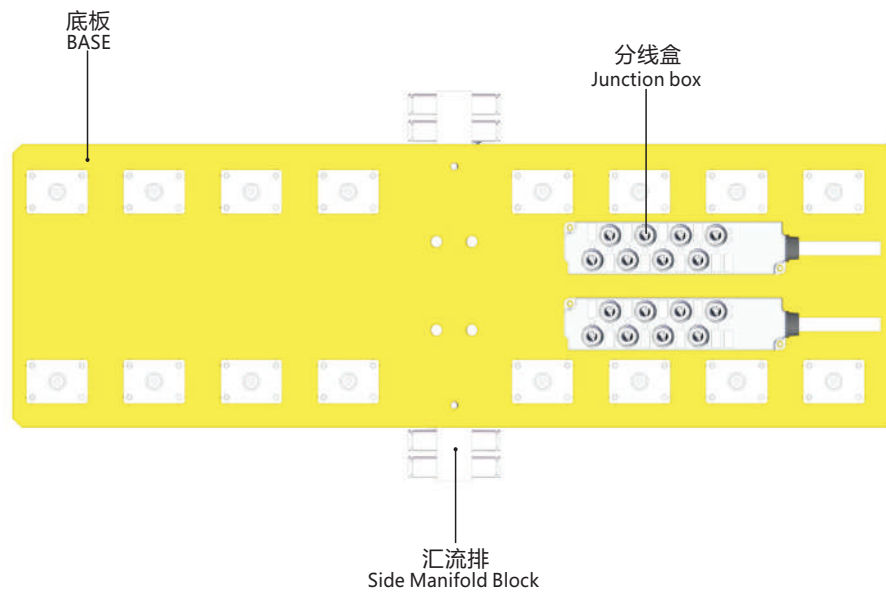
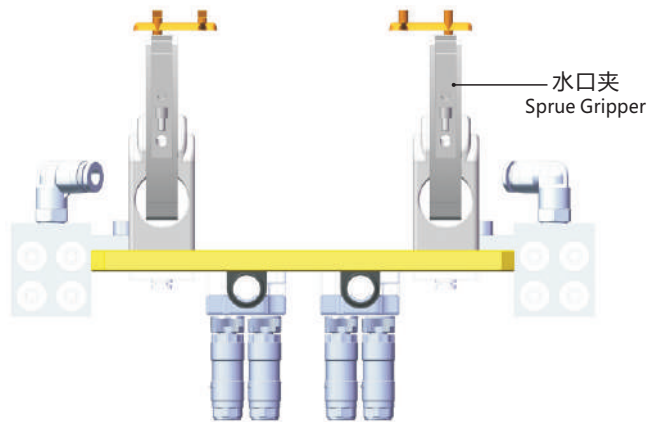
Name of fixture: Fixture of take out for sprue gate and cable tie ;

16 cavities in one mould;

Take sprue gate out with sprue gripper.

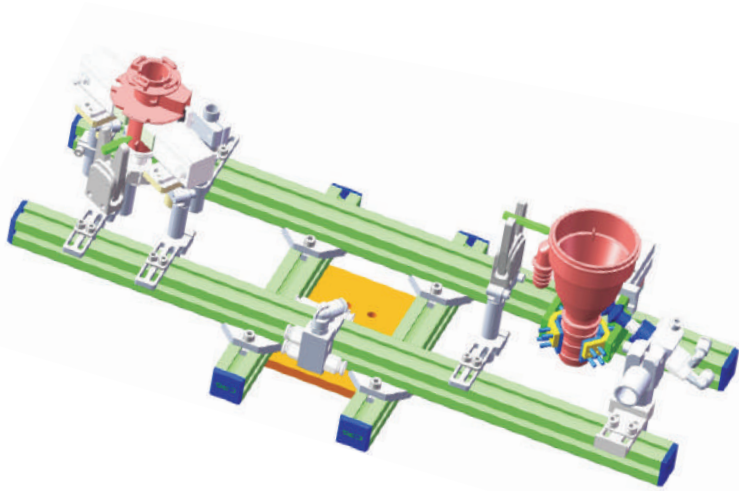
Gas circuit: two gripping.

The weight is about 3.2kg



运用实例 Application examples

基础框架 Base Frame



产品描述：

治具名称：汽车配件取出治具；

产品一模两穴

产品采用平行夹和抱具气缸取出，料头采用水口夹取出

气路为三夹一吸

治具重约3.5kg

Product Description:

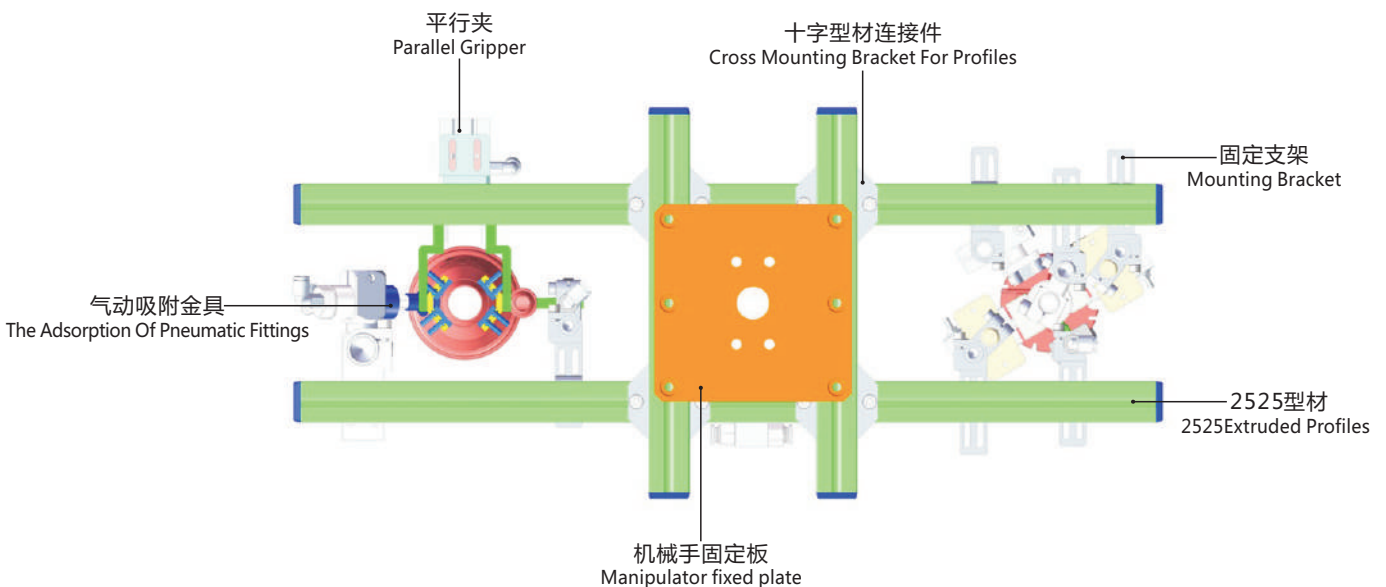
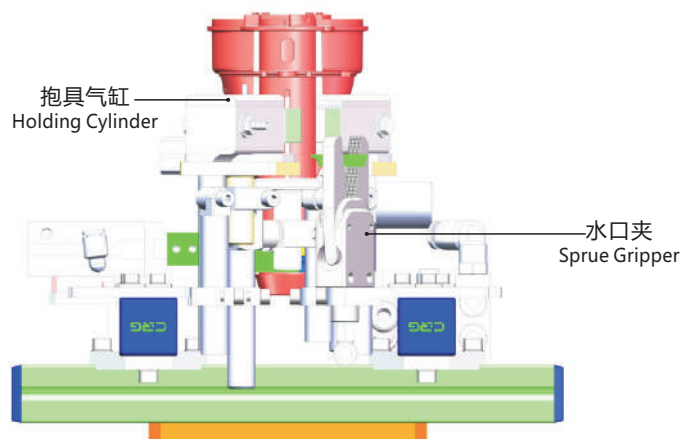
Name of fixture: Fixture of take out for auto parts ;

Two cavities in one mould;

The product is taken out by parallel clamp and holding cylinder, and take sprue gate out with sprue gripper.

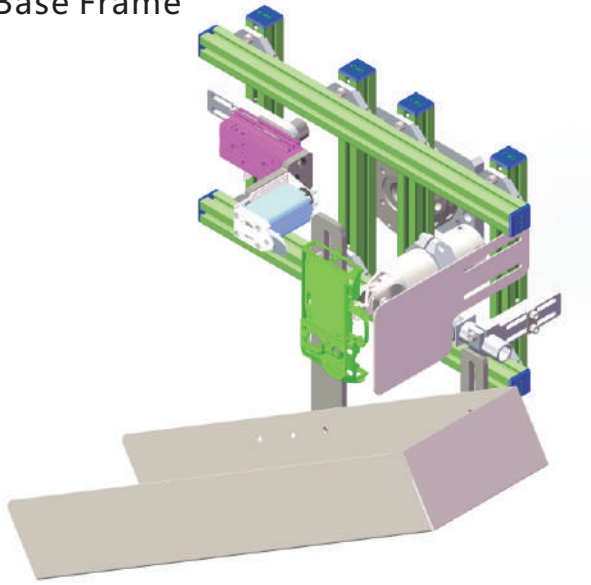
Gas circuit: one suction and three gripping.

The weight is about 3.5kg.



运用实例 Application examples

基础框架 Base Frame



产品描述：

治具名称：数码相机壳体取出剪切治具；

产品一模十六穴；

料头需剪切

气路为：四夹

治具重约6kg

Product Description:

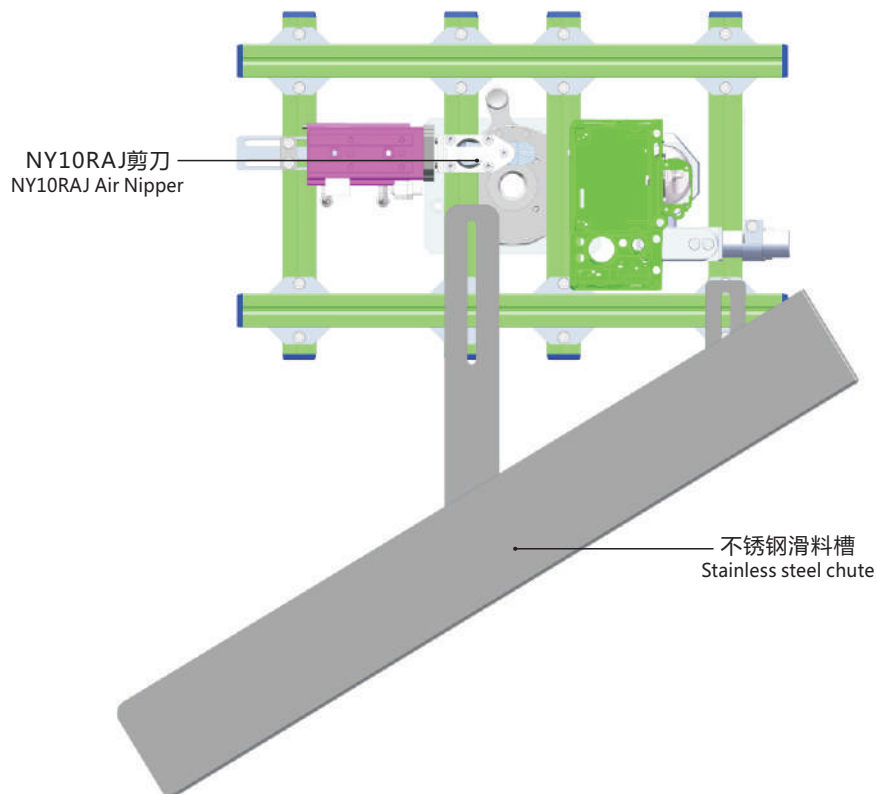
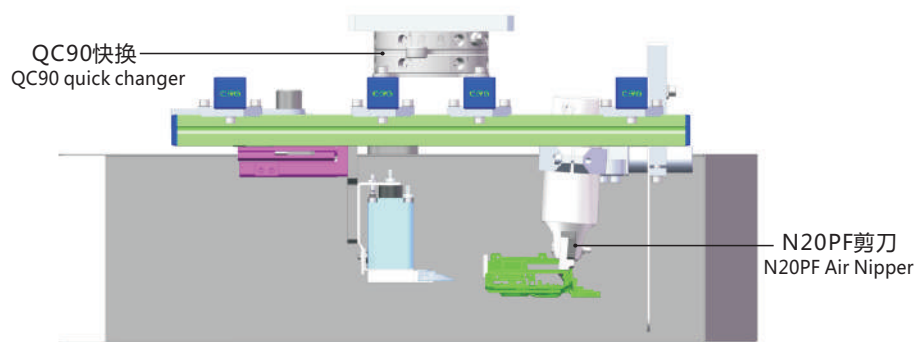
Name of fixture: Fixture of cut and take out for Digital camera shell ;

16 cavities in one mould;

The sprue gate needs to be sheared

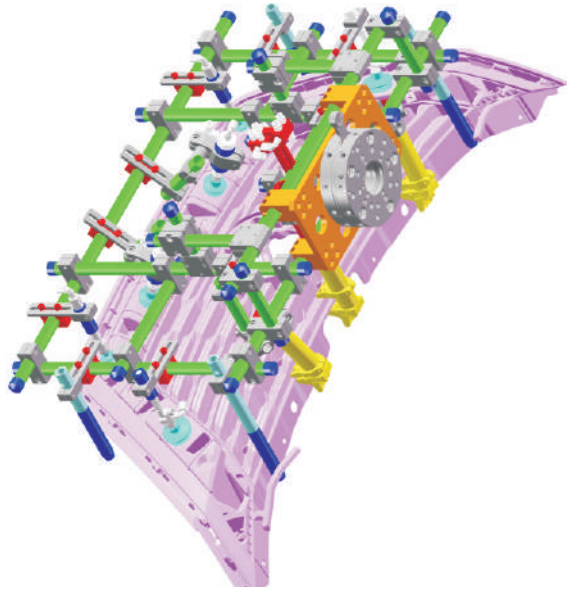
Gas circuit: four gripping.

The weight is about 6kg.



运用实例 Application examples

基础框架 Base Frame



产品描述：

治具名称：汽车格栅取出治具；

产品一模一穴；

治具框架采用20钢管，产品采用吸盘加拨指辅助取出；

气路为：一吸一夹；

治具重约15kg；

Product Description:

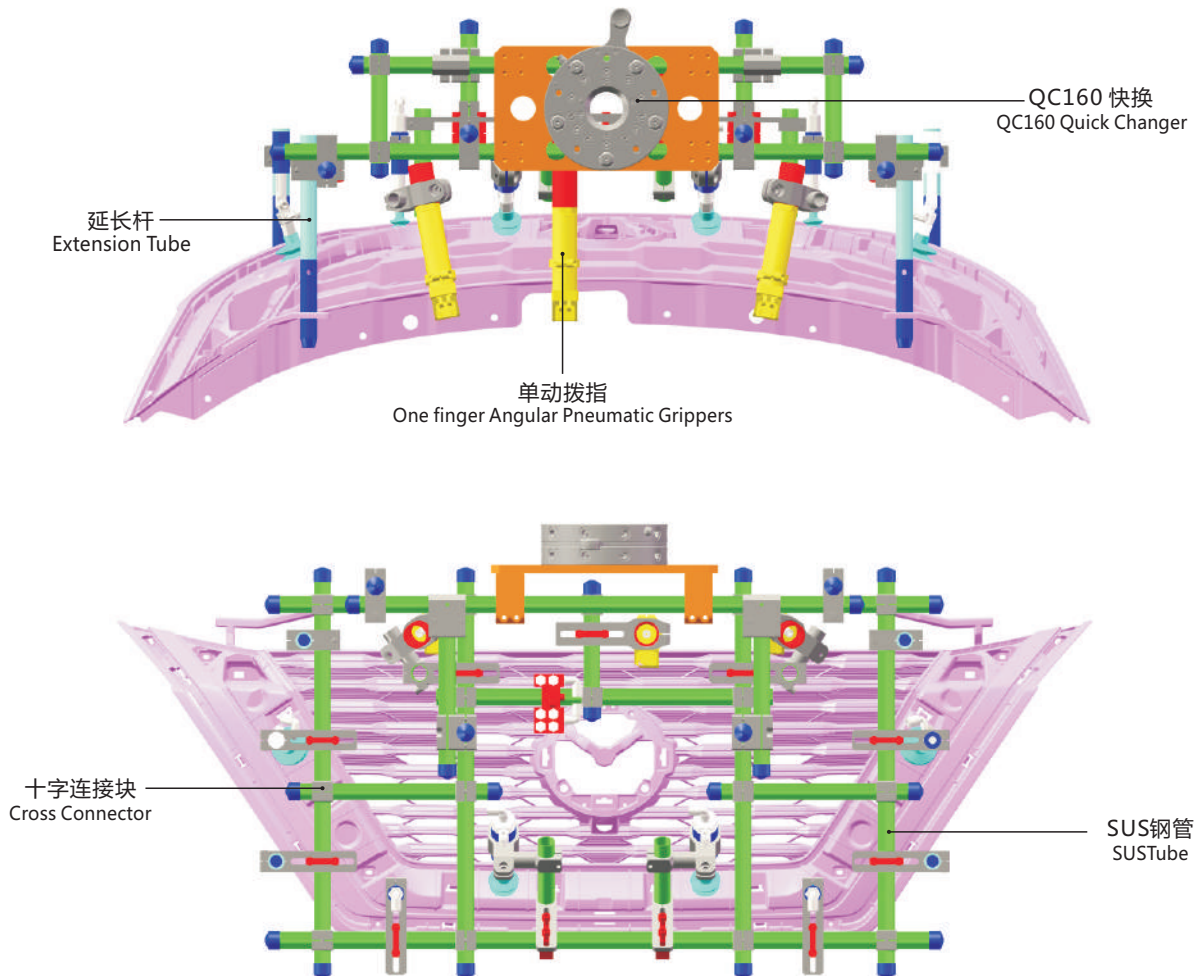
Name of fixture: Fixture of take out for Car grille;

One cavity in one mould;

The fixture frame is made of the steel pipe 20, and the product is taken out by vacuum cups and pneumatic finger gripper;

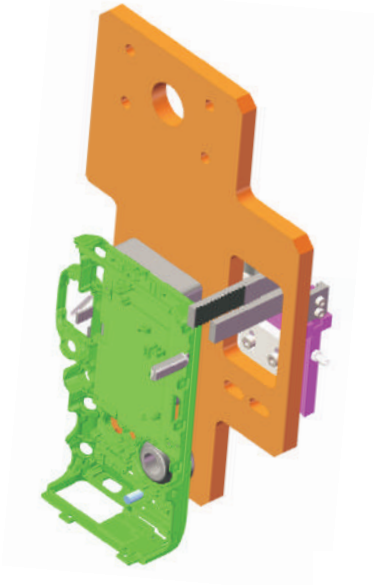
Gas circuit: one suction and two gripping.

The weight is about 15kg.



运用实例 Application examples

基础框架 Base Frame



产品描述：

治具名称：数码相机壳体取出治具；

产品一模一穴；

料头采用水口夹加非标夹片取出

气路为：一夹一吸

治具重约:3kg

Product Description:

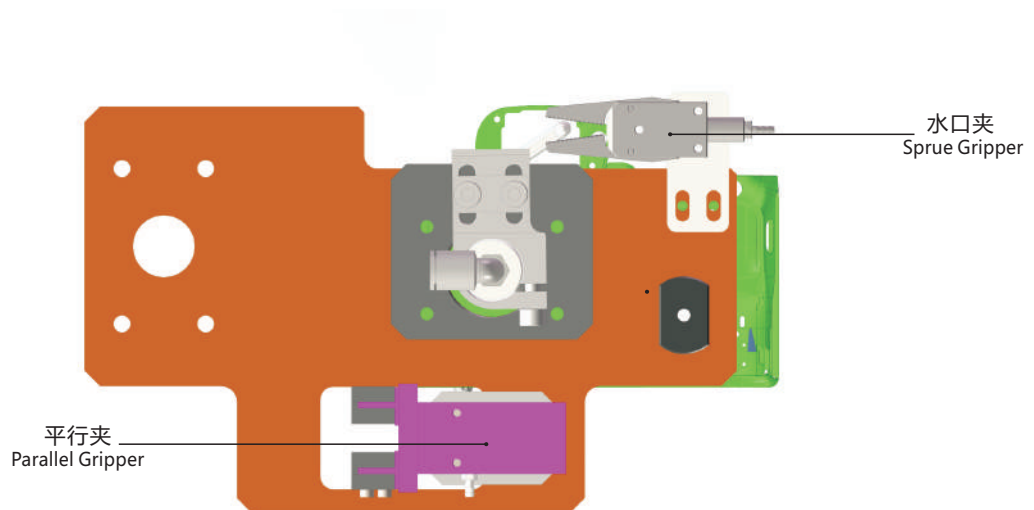
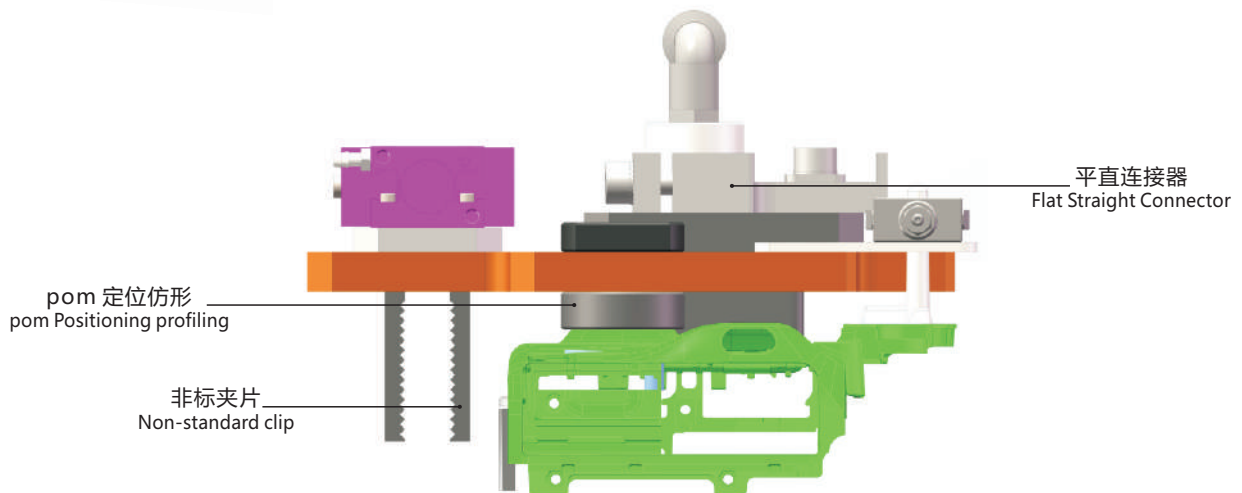
Name of fixture: Fixture of take out for Digital camera shell ;

One cavity in one mould;

Take sprue gate out with sprue gripper and non-standard clip

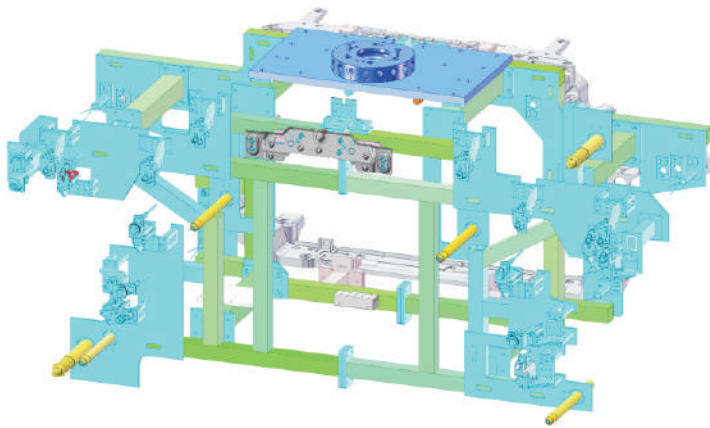
Gas circuit: one suction and one gripping.

The weight is about 3kg.



运用实例 Application examples

基础框架 Base Frame



产品描述:

治具名称: 螺母、钣金取出埋入治具

产品一模一穴

气路为:六夹二吸治具

治具重约 : 55kg

Product Description:

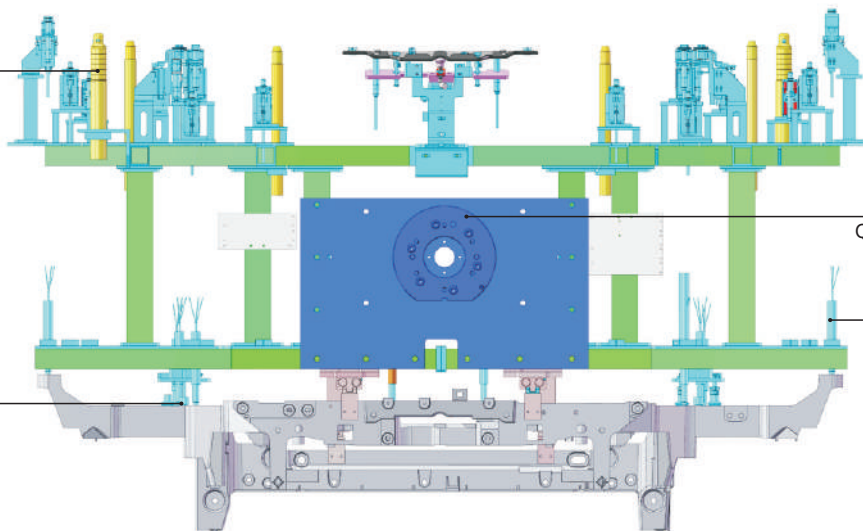
Name of fixture: Fixture of embed and take out for nut, sheet metal

Two cavities in one mould;

Gas circuit: Fixture of two suction and six gripping

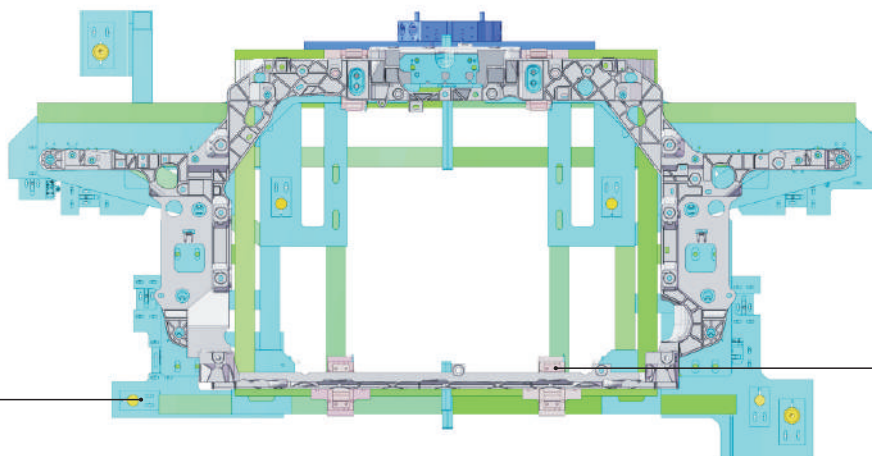
The weight is about 55kg.

模具定位器
Mould positioner



吸盘
Vacuum Cup

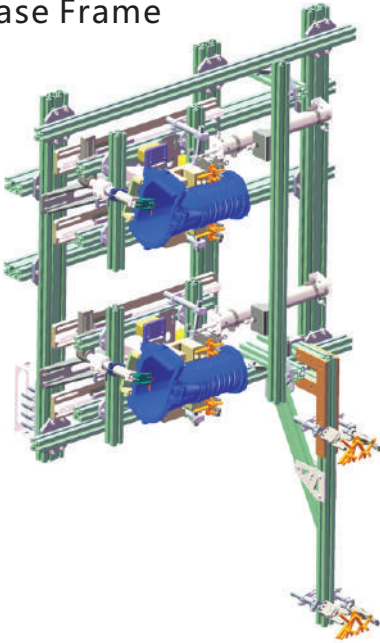
固定支架
Mounting Bracket



夹爪气缸
Gripper Cylinder

运用实例 Application examples

基础框架 Base Frame



产品描述：

治具名称：汽车配件滑移取出治具；

产品一模二穴；

产品采用拨指+吸盘取出；

料头采用水口夹取出；

气路：一吸三夹

治具重量：23kg

Product Description:

Name of fixture: Fixture of slide and take out for auto parts ;

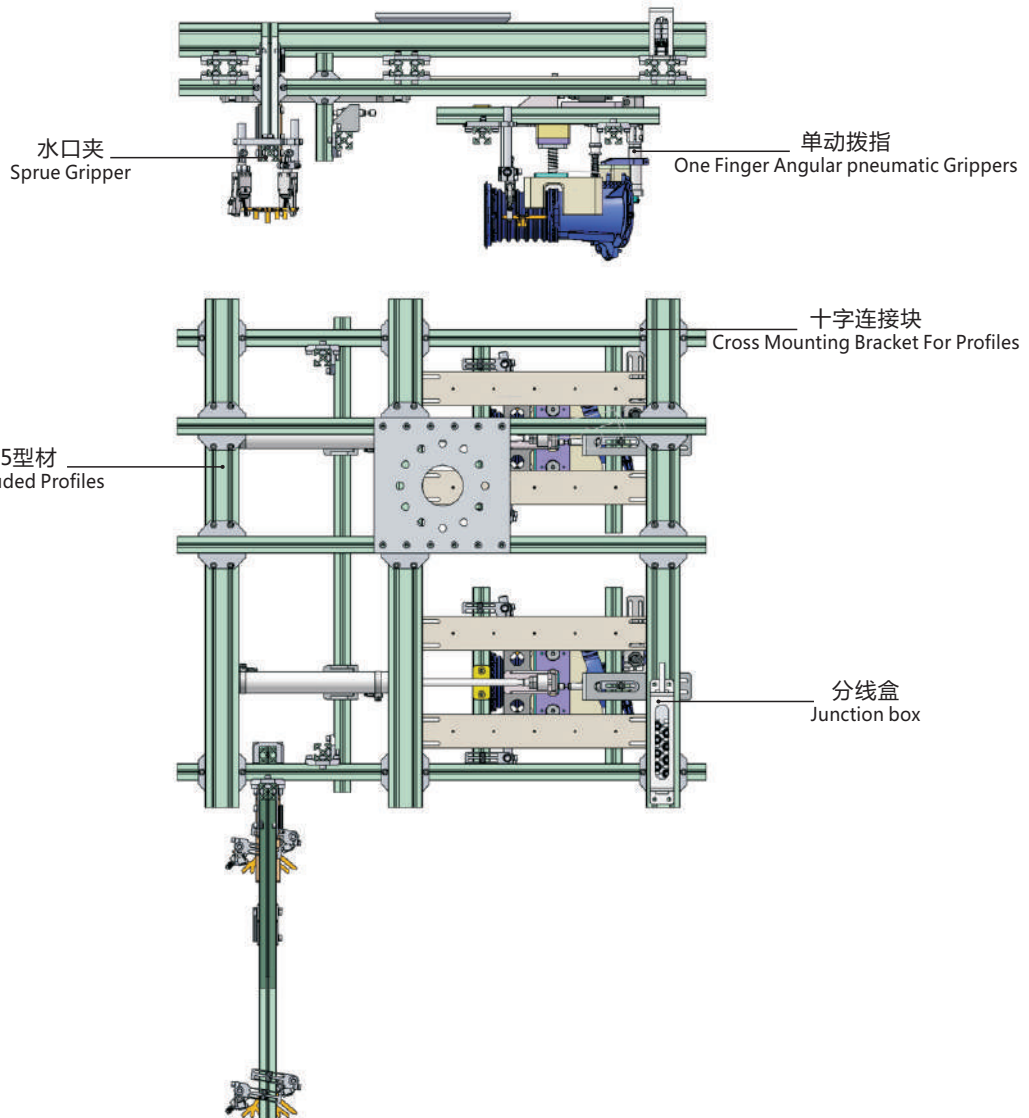
Two cavities in one mould;

Take product out with finger gripper and vacuum cup;

Take sprue gate out with sprue gripper;

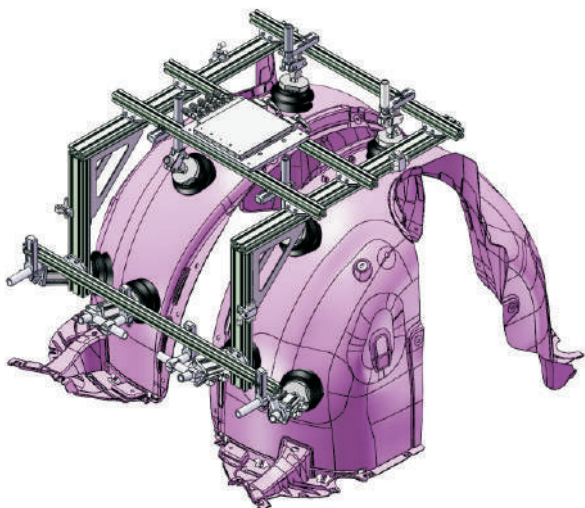
Gas circuit: one suction and three gripping.

Weight of fixture: 23kg.



运用实例 Application examples

基础框架 Base Frame



产品描述：

治具名称：汽车轮毂罩取出治具；

产品一模二穴；

产品采用吸盘取出；

气路：二吸二夹

治具重量：18kg

Product Description:

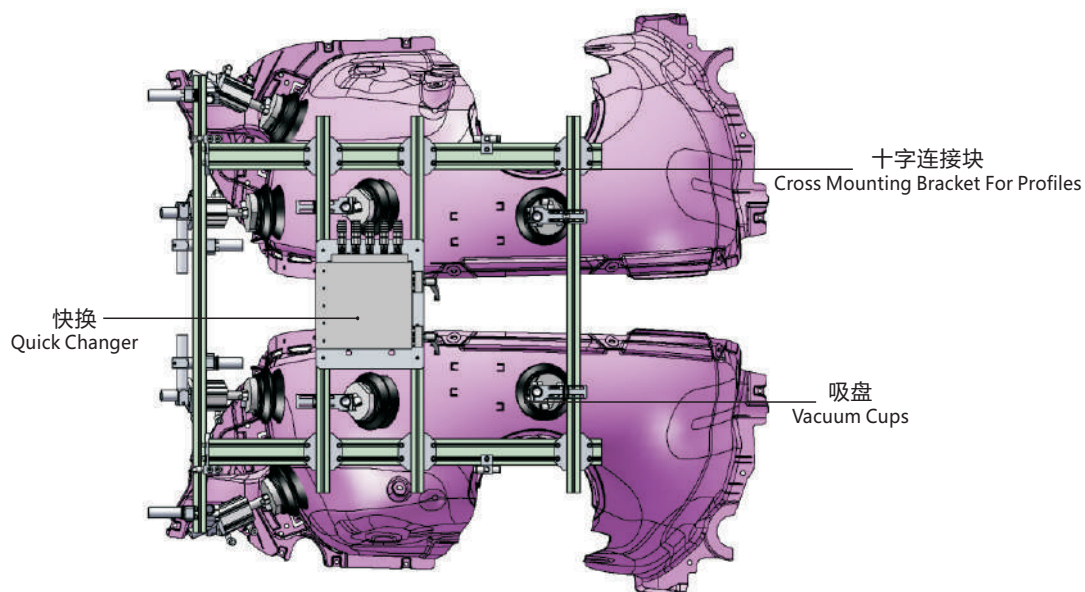
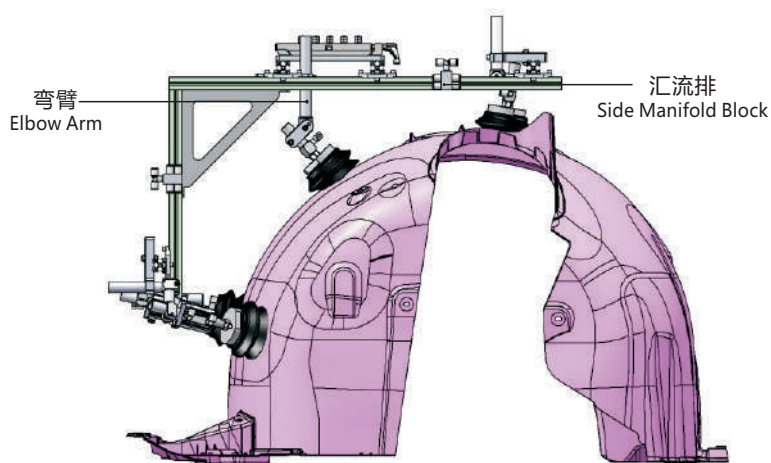
Name of fixture: Fixture of take out for Automobile wheel hub cover ;

Two cavities in one mould;

Take product out with vacuum cup;

Gas circuit: two suction and two gripping.

Weight of fixture: 18kg.



非标定制产品 Application examples



全钢制钳口
All-steel jaws

非标定制水口夹
Non-standard custom nozzle clamp

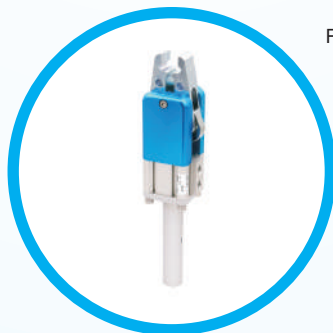
全食品级不锈钢本体
All food grade stainless steel body



食品级快换
Food grade quick changer



非标定制水口夹
Non-standard custom nozzle clamp



非标定制大力夹
Non-standard custom vigorous clip

☑接收各种非标定制

☑Receive all kinds of non-standard customizations

A Global Famous Brand
An International Excellent Enterprise



บริษัท นานดีอินเตอร์เทรด จำกัด
NANDEE INTER-TRADE CO., LTD.

Tel : 0-2675-8230 (Auto), 0-2675-8240 (Auto)

Fax : 0-2212-1448, 0-2213-0360

 : *nandeeintertrade*

 : *@nandeeintertrade*

 : *www.nandee.co.th*