

Air Breather for reserve tank with wide variation



Air breather

Characteristics

- Appropriate to avoid contamination from air inlet of a tank
- Standard filter element is hard paper (equivalent to 20μm)
- Each filtration rating of C-fiber, paper, and wire gauze is selectable for filter element (Not available for AP-02)
- Pipe connection type: AP-02~24 "R Thread", AP-32, 48 "flange (JIS 5K SOP, FF)"

SPECIFICATION

Inner diameter	02	03	04	06	08	12	16	24	32	48
Air flow rate ☆ m ³ /min	0.06	0.10	0.15	0.20	0.40	0.90	2.00	4.00	7.00	15.0
Working temperature °C	-10 ~ 90									
Main material	Cover	Steel plate						Plated steel plate	Steel plate	
	Nipple	ADC								
	Body								SGP, Steel plate, SS	
Coating	Dark yellow (Upper cover)								Aqua blue	
Weight kg	0.04	0.09	0.14	0.15	0.20	0.35	0.65	1.30	7.50	14.5

★ Please ask us for compatibility of fluid other than mineral oil.

☆ Standard flow rate is estimated by the condition of air temperature: 20°C, filtration rating (AP-02 ~ 24: hard paper (equivalent to 20 μm), AP-32,48: paper (20 μm)), and ventilation resistance: lower than 0.5kPa.

MODEL CODE

(Model code example)

AP - 16 (W - 10UW)

Code	Inner diameter
02	R 1/4
03	R 3/8
04	R 1/2
06	R 3/4
08	R1
12	R1 1/2
16	R2
24	R3
32	JIS5K-100A
48	JIS5K-150A

Code	Option
Blank	Non (standard)
W*2	Outdoor spec.*3

Code	Filtration rating	Code	Filtration rating
Hard paper			
Blank	20μm Equivalent	Wire gauze	
C-Fiber			
3C	3 μm	5UW	5 μm
8C	8 μm	10UW	10 μm
25C	25 μm	20UW	20 μm
Paper			
10U	10 μm	40UW	40 μm
20U	20 μm	50UW	50 μm
40U	40 μm	200W	200Mesh
		150W	150Mesh
		100W	100Mesh
		60W	60Mesh

Refer to P.15 -16 for detail information of filter element.

* 1 20μm paper (20U) is a standard element for AP-32 and AP-48. * 2 Not available for AP-32 and AP-48.

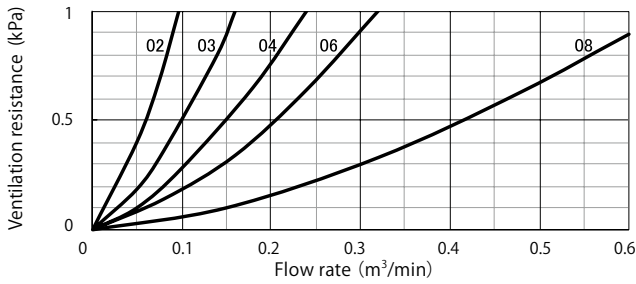
* 3 Since it is a simple drip-proof structure to avoid water inlet such as rain drops from above, it cannot shut water inlet from below. Please note that upper cover should be at top when installation.

FLOW RATE GRAPH

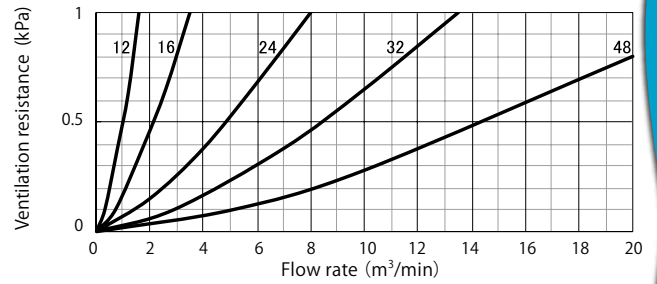
Condition

Air temperature : 20°C Standard = Hard element 20μm Equivalent (AP-02 ~ 24), Paper 20 μm (AP-32,48)

AP model Ventilation resistance

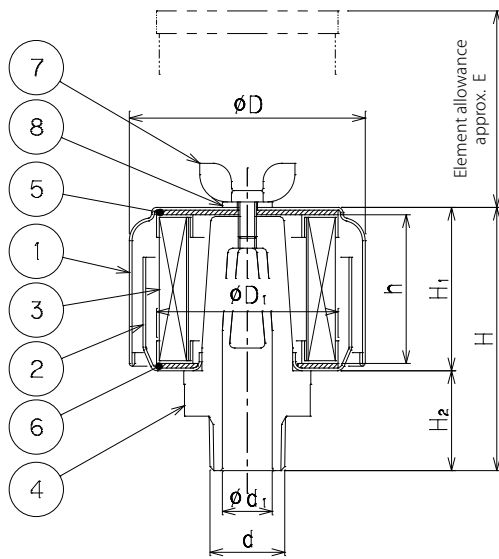


20U
20μm



DIMENSION · PARTS LIST

AP-02~24



Model code	Mark	d	H	H ₁	H ₂	φD	φd ₁	φD ₁	h	E
AP-02	R 1/4		50	30	20	40	9	31	25	50
AP-03	R 3/8		58	36	22	52	11	40	35 (33)	56
AP-04	R 1/2		66	41	25	66	14	50	40 (38)	61
AP-06	R 3/4		69		28		19			
AP-08	R1		80	51	29	78	25	60	50 (48)	71
AP-12	R1 1/2		101	71	30	96	38	70	71 (69)	91
AP-16	R2		115 (116)	83 (84)	32	122	50	88	81 (78)	101
AP-24	R3		157 (159)	112 (114)	45	170	75	125	110 (108)	133

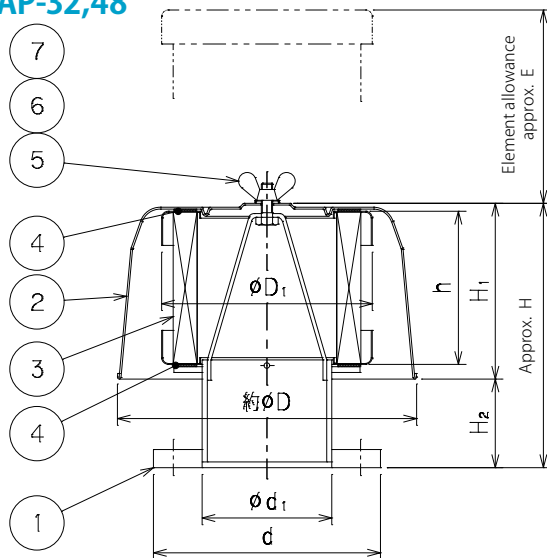
() is dimension for C-fiber, paper, and wire gauze element.

No.	Item	Qty
1	Upper cover	1
2	Lower cover	1
3	Element	1
4	Nipple	1
5	Packing	(1)
6	Packing	(1)
7	Wing nut	1
8	Seal washer	1

() is included for C-fiber, paper, and wire gauze element.
Part (8) Seal washer is attached for outdoor spec (W).

No.	5*1	6*1
Model code	Standard*2	
	Special packing NBR	
AP-02		
AP-03	t1xφ40/φ4	t1xφ40/φ22
AP-04		
AP-06	t1xφ50/φ5	t1xφ50/φ30
AP-08	t1xφ60/φ5	t1xφ60/φ36
AP-12	t1xφ70/φ6	t1xφ70/φ48
AP-16	t2xφ88/φ6	t2xφ88/φ64
AP-24	t2xφ125/φ9	t2xφ125/φ92

AP-32,48



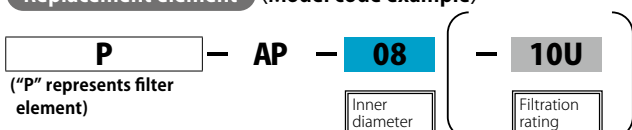
Model code	Mark	d	H	H ₁	H ₂	φD	φd ₁	φD ₁	h	E
AP-32	JIS5K-100A		233	155	78	264	100A	185.6	135	180
AP-48	JIS5K-150A		308	215	93	324	150A	244.6	200	240

No.	Item	Qty
1	Body	1
2	Upper cover	1
3	Element	1
4	Packing	2
5	Wing nut	1
6	Washer	1
7	Packing	1

No.	4	7
Model code	Standard*2	
	Special packing NBR	
AP-32	t2xφ164/φ125	t2xφ20/φ10
AP-48	t2xφ223/φ176	

MODEL CODE OF SPARE PARTS

Replacement element (Model code example)



★ Refer to the MODEL CODE table on the previous page for code selection.

* 1 Necessary for C-fiber, paper, and wire gauze element. * 2 Specify the fluid type if it is other than mineral oil. Packing material is different.