

RIV942 Hydropneumatic tool for rivet nuts from M4 to M12



2 PHASES TRIGGER
2 ADJUSTMENT
SYSTEMS
(STROKE AND FORCE)

Code 1701600

To place RIVSERT female rivet nuts from M4 to M12 and RIVBOLT male rivet nut from M4 to M10.

RIV942 to place rivet nuts using 2 adjustment systems in just 1 tool: stroke and force. Automatic screwing by positioning the tie rod in the rivet nut, 1 PHASE rivet nut deformation 2 PHASE rivet nut unscrewing.

In order to avoid the use of a special rod, a system has been designed to lodge an allen screw (hardness class 12.9), easy to find on the market and replace.

Advantages: kit assembling without use of the key | does not require any regulation with the change in thickness | no damage to the screw if the operation of deformation of the rivet nut is repeated.

Spare parts for RIVSERT



Ø rivet nut	Kit	Kit code	* Screw code (DIN912 12.9)
M4	942/04	3441200	3470500
M5	942/05	3441300	3471900
M6	942/06	3441400	3472300
M8	942/08	3441500	3472800
M10	942/10	3441600	3473100
M12	942/12	4259200	3473300

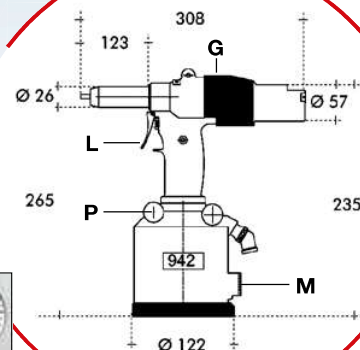
* Screw is included in the "Kit code" and can be ordered separately.

Spare parts for RIVBOLT



Ø rivet nut	Kit	Kit code	* Code (female tie rod)
M4	942/04B	3442300	3441900
M5	942/05B	3442400	3442000
M6	942/06B	3442500	3442100
M8	942/08B	4259400	3442200
M10	942/10B	4601900	4601800

* The female tie rod is included in the "Kit code" and can be ordered separately.



RIV942 is supplied in a case without the frontal head kit. Choose the correct one, according to the fastener to be placed, and order it separately (see the spare parts for RIVSERT/RIVBOLT).

ADJUSTMENT (check the technical drawing):

- 1) Pressure adjustment through the knob rotation (P) and keeping the trigger (L) pushed on the first step (traction) you can read the air pressure value on the manometer (M).
- 2) Stroke adjustment through the ring nut (G).

Technical data and features

Air working pressure	6 bar
Min-max air pressure	5/7 bar
Air consumption per cycle (6 bar)	7.5 lt
Stroke	10 mm
Max power (6 bar)	31000 N
Weight (without kit)	3.100 Gg
Vibrations	< 2,5 m/s²
Noise level	< 80 dB (A)



Manometer for air pressure adjustment.



Stroke adjustment.

