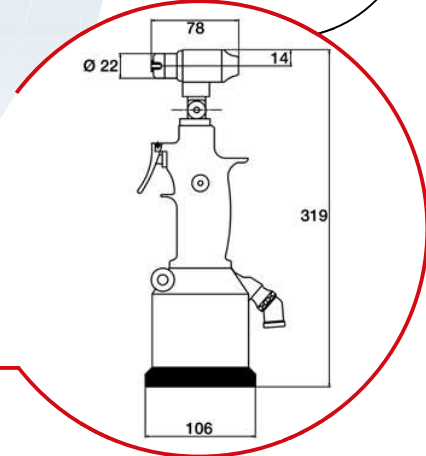


# RIV536 Hydropneumatic tool for blind rivets with 360° rotating head



**Code 4420100**

**To place all alloy blind rivets up to Ø 4.8 with smooth rivet mandrel < Ø 2.9 (not knurled).**

RIV536 is a hydropneumatic tool for blind rivets featuring an angular head which allows installing of blind rivets in difficult-to-reach and blind-sided parts. The head can rotate 360° and can be oriented in any positions from 0° to 180°, facilitating the installation of the rivet at any angle.

RIV536 is sold in a case with Ø 2.4 - 3.0/3.2 - 3.4/4.0 - 4.8 nosepieces.

## Fittings

Picture	Description	Pc	Code
	Nosepiece Ø 2.4 mm	1	0189400
	Nosepiece Ø 3.0/3.2 mm	1	0176500
	Nosepiece Ø 3.4/4.0 mm	1	0176600
	Nosepiece Ø 4.8 mm	1	0176900
	Clamps (3 pc)	2	4260500

## Technical data and features

Air working pressure	<b>6 bar</b>
Min-max air pressure	<b>5/7 bar</b>
Air consumption per cycle (6 bar)	<b>1.5 lt</b>
Stroke	<b>14 mm</b>
Max power (6 bar)	<b>8500 N</b>
Weight	<b>1.803 Kg</b>
Vibrations	<b>&lt; 2,5 m/s<sup>2</sup></b>
Noise level	<b>76 dB (A)</b>

360° head rotation (horizontal) and from 0° to 180° (vertical)



Vertical application.

