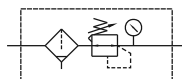


PAFR302 series AIR UNIT (F.R.UNIT)



Option: MP41

Symbol



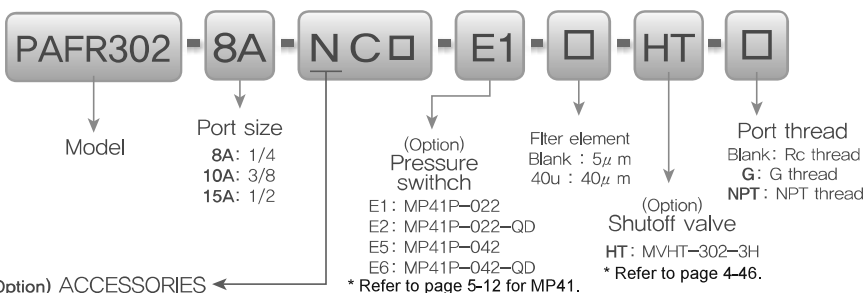
■ Specification

Model	PAFR302		
Bore No.	8A	10A	15A
Port size	1/4	3/8	1/2
Medium	Air		
Operating pressure range (*)	0.05~1 MPa		
Proof pressure	1.5 MPa		
Regulated pressure range	0.05~0.85 MPa		
Ambient temperature	- 5~+60°C (No freezing)		
Filter element	Standard: 5μm, Option: 40μm		
Drain capacity	35 cm ³		
Attachment	Pressure gauge (PG-20), bracket		
Weight	490 g		

* Standard unit contains semi-auto-drain function when operating pressure below 0.05 MPa.

* Choose auto-drain FMRF300, the pressure range is 0.15~1 MPa.

■ Order example

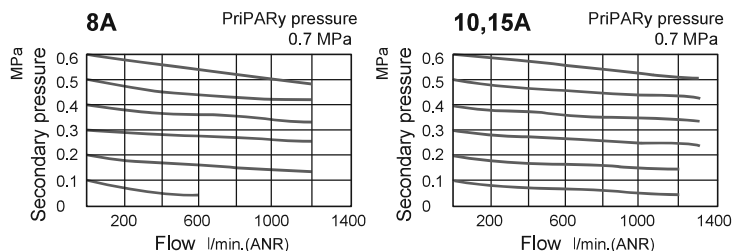


Bowl	Pressure gauge	Drain valve
Blank: PC bowl M: Metal bowl N: Nylon bowl	Blank: Pressure gauge(PG-20) C: External pressure gauge (PG-40) + Gauge adapter set (A-PAR302) A: Gauge adapter set (A-PAR302)	Blank: Semi-auto drain D: Auto drain valve (FMRF300)

* PG-40 (C) and MP41 (E*) can not be selected at the same time.

* Be sure to use above check valves when redirecting the air flow on the inlet side of the lubricator.

■ Flow feature

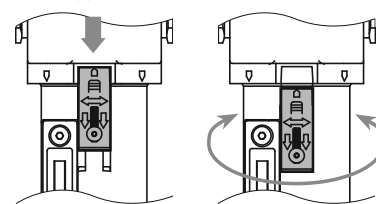


⚠ Caution

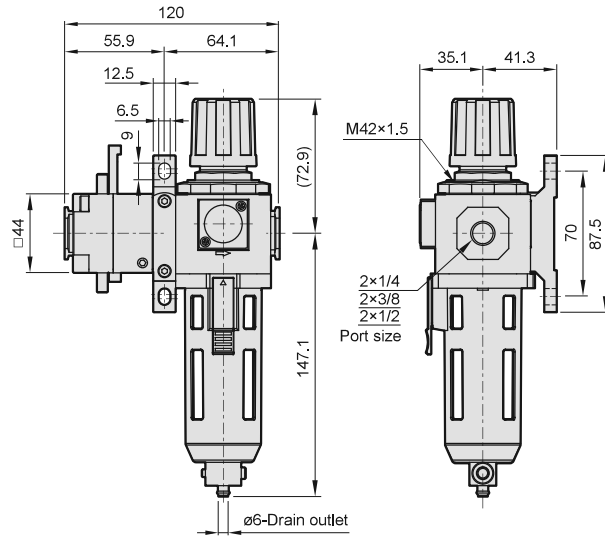
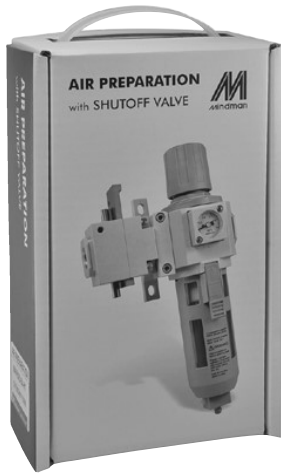
Metal bowl

Before assembling or disassembling, push the lock plate down to the end, and confirm that is detached from the body then rotate the bowl, otherwise the lock plate will be deformed or the body will be scratched.

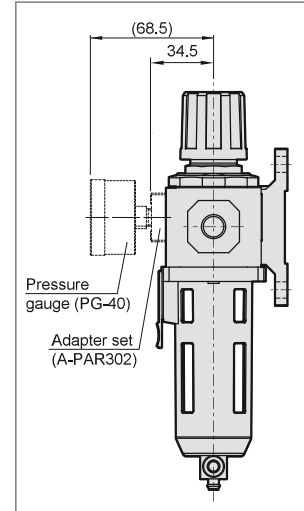
1. Sliding plate down
2. Rotating the bowl



PAFR302-HT With shutoff valve

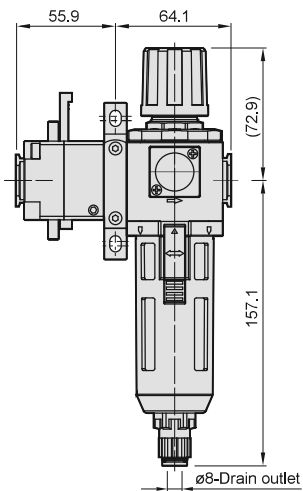


Accessories



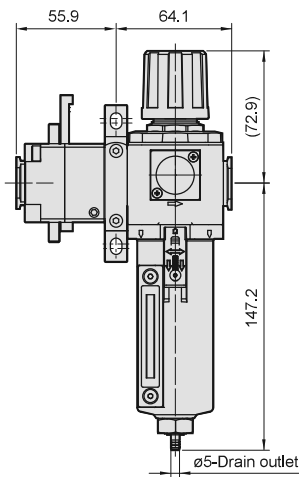
PAFR302-D*-HT

Auto drain valve



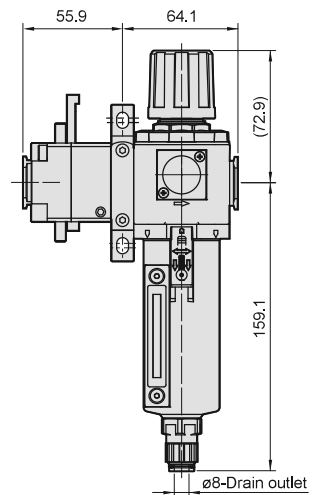
PAFR302-M*-HT

Metal bowl



PAFR302-DM*-HT

Auto drain valve + Metal bowl



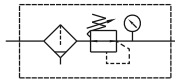
PAFR401 series AIR UNIT (F.R.UNIT)

■ Specification



Option: **MP41**

Symbol

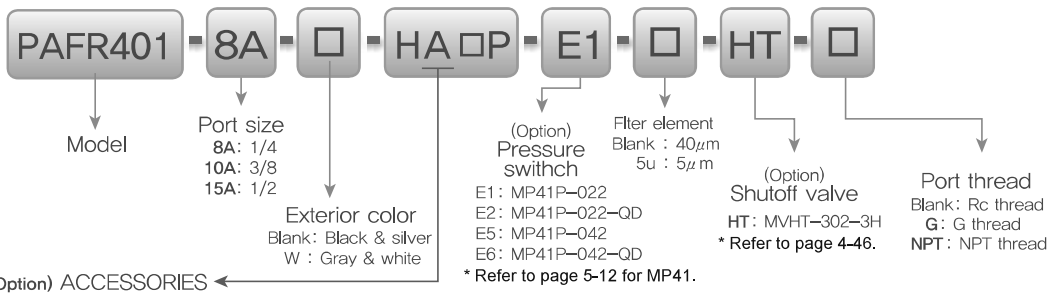


Model	PAFR401		
Bore No.	8A	10A	15A
Port size	1/4	3/8	1/2
Medium	Air		
Operating pressure range (*)	0.05~1.5 MPa		
Proof pressure	2 MPa		
Regulated pressure range	Standard type: 0.1~0.85 MPa		
	High pressure type: 0.1~1.5 MPa		
Ambient temperature	- 5~+60°C (No freezing)		
Filter element	Standard: 40μm, Option: 5μm		
Drain capacity	70 cm ³		
Attachment	Pressure gauge(PG-20),L-type bracket		
Weight	800 g		

* Standard unit contains semi-auto-drain function when operating pressure below 0.05 MPa.

* Choose auto-drain FMRF300, the pressure range is 0.15~1 MPa.

■ Order example

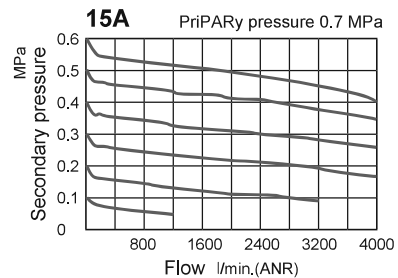
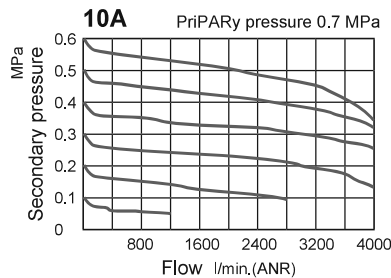
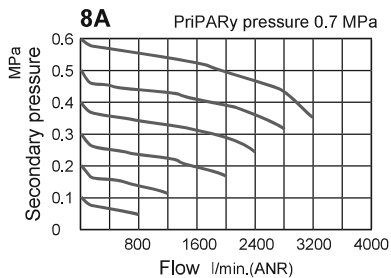


Type	Pressure gauge	Drain valve	Pressure switch
Blank: Standard type	Blank: Pressure gauge (PG-20) C: External pressure gauge (PG-40) + Gauge adapter set (A-PAR401) A: Gauge adapter set (A-PAR401)	Blank: Semi-auto drain D: Auto drain valve (FMRF300)	P: Pressure switch (MPS series)
H: High pressure type	C: External pressure gauge (PG-40) + Gauge adapter set (A-PAR401) A: Gauge adapter set (A-PAR401)	Blank: Semi-auto drain	

* PG-40 (C) and MP41 (E*) can not be selected at the same time.

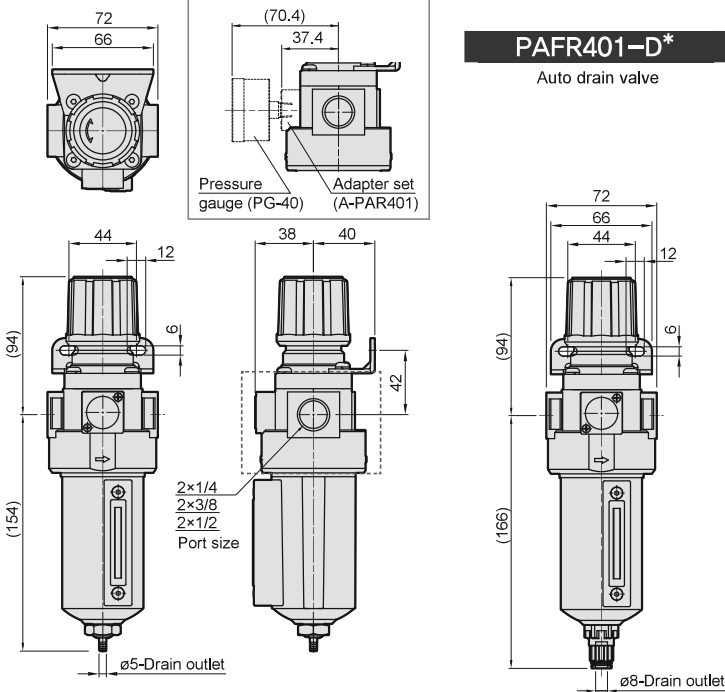
* PAFR401-W pressure gauge with set (A-PAR302).

■ Flow feature



PAFR 401 / PAFR 401-HT Dimensions

■ Accessories

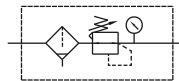


PAFR501 series AIR UNIT (F.R.UNIT)



Option: **MP41**

Symbol



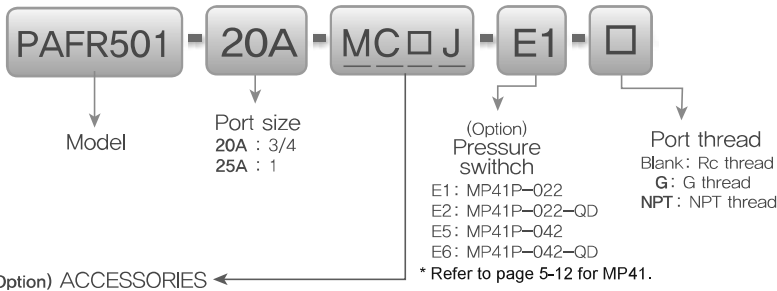
■ Specification

Model	PAFR501	
Bore No.	20A	25A
Port size	3/4	1
Medium	Air	
Operating pressure range (*)	Nylon bowl, PC bowl: 0.05~1 MPa	
	Metal bowl: 0.05~1.5 MPa	
Proof pressure	Nylon bowl, PC bowl: 1.5 MPa	
	Metal bowl: 2 MPa	
Regulated pressure range	0.1~0.85 MPa	
Ambient temperature	- 5~+60°C (No freezing)	
Filter element	40μm	
Drain capacity	PC, Nylon bowl: 75 cm ³	
	Metal bowl: 70 cm ³	
Attachment	Pressure gauge(PG-20), L-type bracket	
Weight	PC, Nylon bowl: 1940 g	
	Metal bowl: 2060 g	

* Standard unit contains semi-auto-drain function when operating pressure below 0.05 MPa.

* Choose auto-drain FMRF300, the pressure range is 0.15~1 MPa.

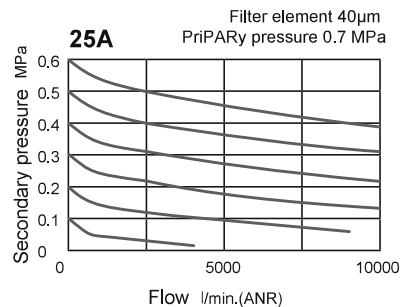
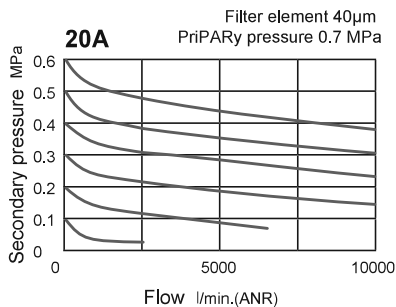
■ Order example



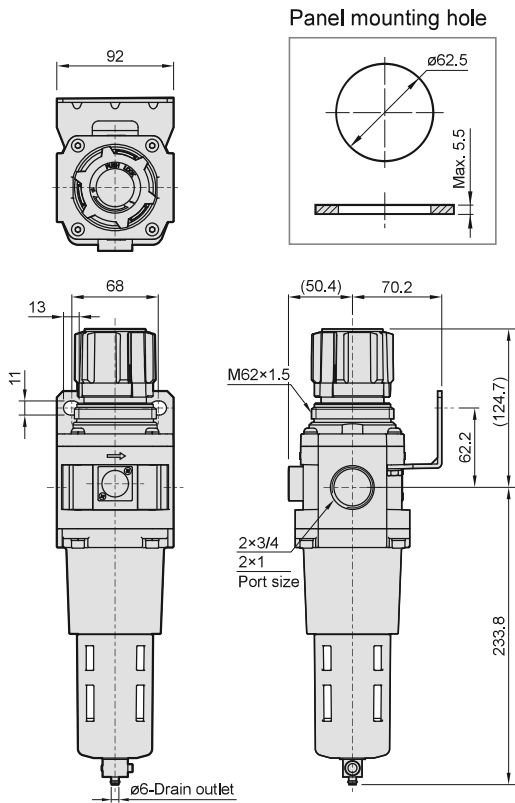
Bowl	Pressure gauge	Drain valve	Panel nuts
Blank: PC bowl M: Metal bowl N: Nylon bowl	Blank: Pressure gauge (PG-20) C: External pressure gauge (PG-40) + Gauge adapter set (A-PAR302) A: Gauge adapter set (A-PAR302)	Blank: Semi-auto drain D: Auto drain valve (FMRF300)	J: Panel nuts

* PG-40 (C), A-PAR302 (A) and MP41 (E*) can not be selected at the same time.

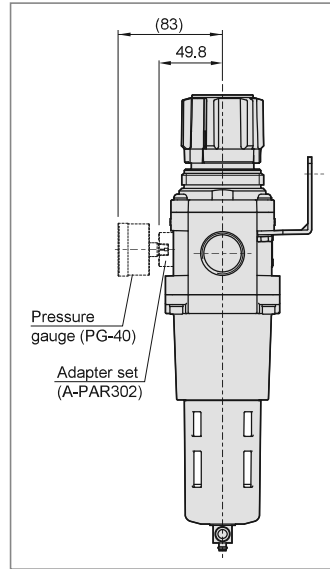
■ Flow feature



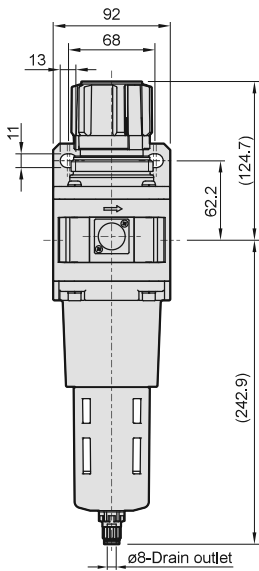
Dimensions



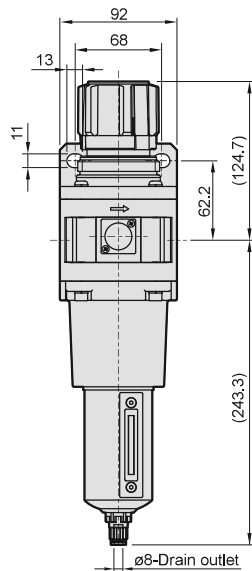
Accessories



PAFR501-D
Auto drain valve



PAFR501-MD
Metal bowl + auto drain valve



PAFR501-M
Metal bowl

