



CHIYODA

FITTINGS



FITTING



Made in Japan

CHIYODA

FITTING ช็อคต่อสาม

Touch Connector Five	B3
Touch Connector Fuji	B12
Touch Connector Fuji For Cooling Water	B17
Touch Connector Fuji H Type	B20
Touch Connector	B24
Touch Connector Five Speed Controller	B28
Touch Connector Type Speed Controller	B30
Touch Connector Fuji H Type Speed Controller	B32

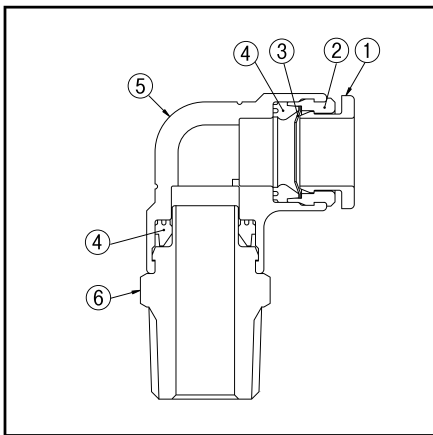
TOUCH CONNECTOR FIVE

ข้อต่อฟิตตึง

FITTING



Made in Japan



- เหมาะสำหรับงานลม และงานน้ำทั่วไป
- ทำจากพลาสติกเกรดคุณภาพสูง ประเภท Anti-Flaming PBT ป้องกันการติดไฟ
- แหวนล็อกทำจากสแตนเลส ทนต่อการกัดกร่อนและสนิม ช่วยยึดจับสายแน่นยิ่งขึ้น

Media	Compressed Air	Industrial water	Vacuum
Working Temperature Range	-5~60°C <23-140°F>	5~40°C <41-104°F>	-5~60°C <23-104°F>
Max. Working Pressure	1MPa	0.3MPa	-100kPa
Water hammer considered in value above			
Tube used	TE,TP,MTP (Polyurethane tube),TN (Nylon tube)		

*The value at a temperature of 20°C (68°F)
Please choose dedicated tubing when used industrial water.

Part NO.	Part Name	Materials
①	Release Ring	PBT
②	Guide	PBT
③	Lock Ring	Stainless
④	Packing	NBR
⑤	Body	PBT
⑥	Male Adaptor	Brass

วิธีการอ่านรหัสสินค้า

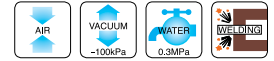
F R 6 - 02 ML W

F	•	TOUCH CONNECTOR FIVE
R	•	No mark : Plastic and/or metal body type. R : Solid Plastic body
6	•	Tube O.D. 4 : Ø4mm 8 : Ø8mm 12 : Ø12mm 6 : Ø6mm 10 : Ø10mm 16 : Ø16mm
02	•	Thread M5 : M5x0.8 02 : R1/4 • Rc1/4 04 : R1/2 • Rc1/2 01 : R1/8 • Rc1/8 03 : R3/8 • Rc3/8 00 : Non Thread
ML	•	Model M : Male Connector F : Female Connector U : Union (Different Union) ML : Male Elbow LC : L Connector UL : Union Elbow M2L : Long Male Elbow RC : Reducer UT : Union Tee (Different Union Tee) MT : Male Branch Tee J : Joint (Different Joint) UY : Union Y (Different Union Y) RT : Male Run Tee FB : Female Bulkhead MS : Male Connector (With Hex Key) MY : Male Branch Y BU : Bulkhead Union S1 : Single Banjo PN : Coupling Plug PN PL : Coupling Plug PL IS : Inner Support
W	•	No mark : Black Body W : White body

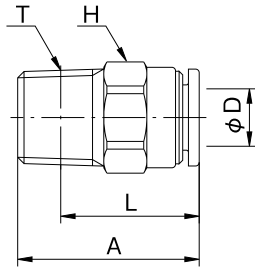
รูปทรงข้อต่อฟิตติ้ง

Male Connector	Male Connector (With Hex Key)	Male Elbow	Single Banjo
			
Male Run Tee	Male Branch Y	Long Male Elbow	Male Branch Tee
			
Bulkhead Union	Union Tee	Female Connector	Female Bulk
			
Union Y	Union (Defferent Union)	Union Elbow	Reducer
			
L Connector	Joint	Coupling Plug PN	Coupling Plug PL
			
Inner Support			
			



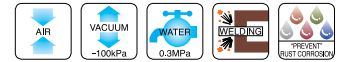
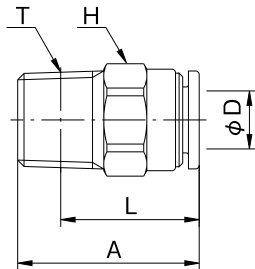


MALE CONNECTOR



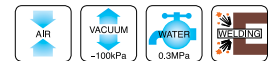
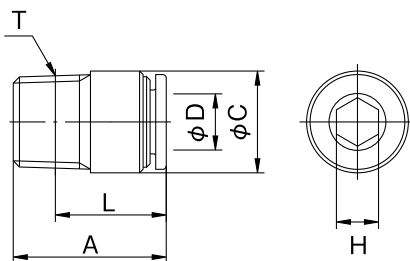
Model	A	Tube O.D. ØD	Spanner Flats H	L	Thread T	Tube Insertion Depth	Weight (g)
Black body							
F4-M5M	16.3	4	10	13.3	M5 x 0.8	12.0	4.1
F4-01M	19.3		10	15.3	R1/8		6.4
F4-02M	22.3		14	16.3	R1/4		14.3
F6-M5M	17.5	6	12	14.5	M5 x 0.8	12.5	6.3
F6-01M	19.3		12	15.3	R1/8		7.6
F6-02M	22.3		14	16.3	R1/4		16.0
F6-03M	24.3		17	17.9	R3/8		25.5
F8-01M	23.2	8	14	19.2	R1/8	13.7	11.9
F8-02M	22.3		14	16.3	R1/4		11.6
F8-03M	24.3		17	17.9	R3/8		23.7
F10-01M	23.8	10	17	19.8	R1/8	14.6	18.6
F10-02M	25.6		17	19.6	R1/4		19.4
F10-03M	26.3		17	19.9	R3/8		22.0
F10-04M	28.3		21	20.3	R1/2		46.1
F12-02M	27.3	12	19	21.3	R1/4	15.4	23.5
F12-03M	28.3		19	21.9	R3/8		26.0
F12-04M	29.3		21	21.3	R1/2		38.8
F16-03M	37.0	16	24	30.6	R3/8	23.3	52.8
F16-04M	39.0		24	31.0	R1/2		59.5

RESIN MALE CONNECTOR



Model	A	Tube O.D. ØD	Spanner Flats H	L	Thread T	Tube Insertion Depth	Weight (g)
Black body							
FR6-01M	21.3	6	12.0	17.3	R1/8	12.5	2.0
FR6-02M	24.8		14.0	18.8	R1/4		3.4
FR8-01M	23.8	8	14.0	19.8	R1/8	13.7	2.7
FR8-02M	25.3		14.0	19.3	R1/4		3.3

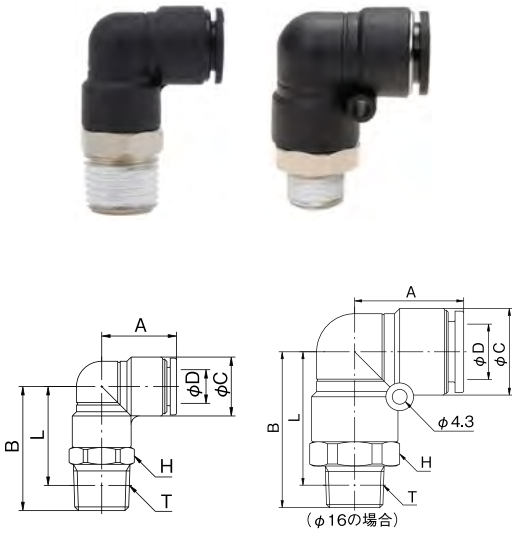
MALE CONNECTOR WITH HEX KEY



Model	A	φC	Tube O.D. ØD	Spanner Flats H	L	Thread T	Tube Insertion Depth	Weight (g)
Black body								
F4-M5MS	16.3	9.8	4	2.5	13.3	M5 x 0.8	12.0	3.8
F4-01MS	16.8	9.8		3.0	12.8	R1/8		5.3
F6-M5MS	17.5	12.5	6	2.5	14.5	M5 x 0.8	12.5	5.7
F6-01MS	18.5	12.5		4.0	14.5	R1/8		6.8
F6-02MS	19.8	14.0		4.0	13.8	R1/4		13.0
F8-01MS	22.8	14.5	8	5.0	18.8	R1/8	13.7	10.5
F8-02MS	21.8	14.5		6.0	15.8	R1/4		11.5
F8-03MS	21.8	17.0		6.0	15.4	R3/8		22.5
F10-01MS	23.8	17.5	10	5.0	19.8	R1/8	14.6	14.5
F10-02MS	25.6	17.5		8.0	19.6	R1/4		15.2
F10-03MS	23.3	17.5		8.0	16.9	R3/8		18.9
F10-04MS	22.3	21.0		8.0	14.3	R1/2		33.7
F12-02MS	27.4	20.0	12	8.0	21.4	R1/4	15.4	18.2
F12-03MS	24.3	20.0		8.0	17.9	R3/8		18.9
F12-04MS	25.3	21.0		8.0	17.3	R1/2		35.5



MALE ELBOW

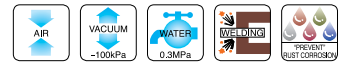


Model	A	B	ØC	Tube O.D. ØD	Spanner Flats H	L	Thread T	Tube Insertion Depth	Weight (g)
Black body									
F4-M5ML	14.8	19.0	10	4	10.0	16.0	M5 x 0.8	12.0	6.4
F4-01ML		22.5			10.0	18.5	R1/8		9.8
F4-02ML		26.5			14.0	20.5	R1/4		18.8
F6-M5ML	15.8	20.0	12	6	12.0	17.0	M5 x 0.8	12.5	7.5
F6-01ML		24.5			12.0	20.5	R1/8		11.2
F6-02ML		27.5			14.0	21.5	R1/4		19.6
F6-03ML		29.5			17.0	23.1	R3/8		30.6
F8-01ML	17.8	26.5	14	8	14.0	22.5	R1/8	13.7	14.0
F8-02ML		29.5			14.0	23.5	R1/4		18.5
F8-03ML		31.5			17.0	25.1	R3/8		32.9
F10-01ML	19.8	29.5	17	10	17.0	25.5	R1/8	14.6	20.2
F10-02ML		32.5			17.0	26.5	R1/4		24.3
F10-03ML		33.5			17.0	27.1	R3/8		31.3
F10-04ML		36.5			21.0	28.5	R1/2		57.9
F12-02ML	22.3	35.0	20	12	19.0	29.0	R1/4	15.4	26.1
F12-03ML		36.0			21.0	29.6	R3/8		33.5
F12-04ML		39.0			21.0	31.0	R1/2		54.4
F16-03ML	31.5	45.0	25	16	24.0	38.6	R3/8	23.3	77.8
F16-04ML		48.0			24.0	40.0	R1/2		86.4

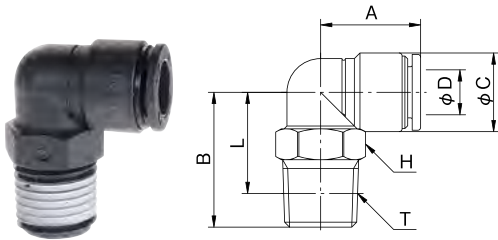
FITTING

CHIYODA

Made in Japan

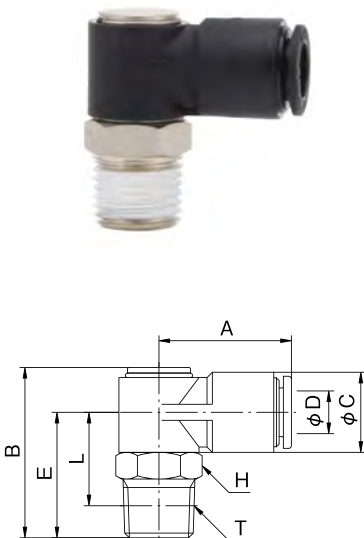
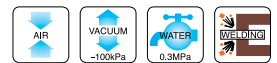


RESIN MALE ELBOW



Model	A	B	ØC	Tube O.D. ØD	Spanner Flats H	L	Thread T	Tube Insertion Depth	Weight (g)
Black body									
FR6-01ML	15.8	19.5	12	6	12.0	15.5	R1/8	12.5	3.4
FR6-02ML		23.0			14.0	17.0	R1/4		4.6
FR8-01ML	17.8	20.5	14	8	14.0	16.5	R1/8	13.7	4.8
FR8-02ML		24.0			14.0	18.0	R1/4		5.6

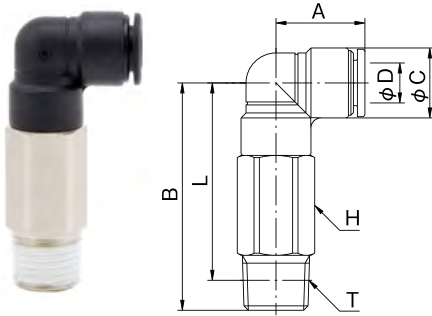
SINGLE BANJO



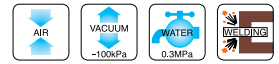
Model	A	B	ØC	Tube O.D. ØD	E	Spanner Flats H	L	Thread T	Tube Insertion Depth	Weight (g)
Black body										
F4-M5S1	20.7	20.8	11	4	14.5	10.0	11.0	M5 x 0.8	12.0	7.7
F4-01S1		24.8			18.5	10.0	14.5	R1/8		9.7
F4-02S1		27.8			21.5	14.0	15.5	R1/4		15.0
F6-M5S1	22.3	22.8	13	6	15.5	12.0	12.0	M5 x 0.8	12.5	10.1
F6-01S1		26.8			19.5	12.0	15.5	R1/8		12.1
F6-02S1		29.8			22.5	14.0	16.5	R1/4		18.1
F6-03S1		30.8			23.5	17.0	17.1	R3/8		25.6
F8-01S1	24.8	28.9	15	8	20.5	14.0	16.5	R1/8	13.7	17.0
F8-02S1		31.9			23.5	14.0	17.5	R1/4		21.0
F8-03S1		32.9			24.5	17.0	18.1	R3/8		29.0
F10-01S1	26.8	32.1	17	10	21.5	17.0	17.5	R1/8	14.6	27.8
F10-02S1		35.1			24.5	17.0	18.5	R1/4		30.3
F10-03S1		36.1			25.5	17.0	19.1	R3/8		34.8
F10-04S1		40.1			29.5	21.0	21.5	R1/2		50.3
F12-02S1	29.3	37.1	20	12	26.0	19.0	20.0	R1/4	15.4	41.1
F12-03S1		38.1			27.0	19.0	20.6	R3/8		41.6
F12-04S1		42.1			31.0	21.0	23.0	R1/2		55.1



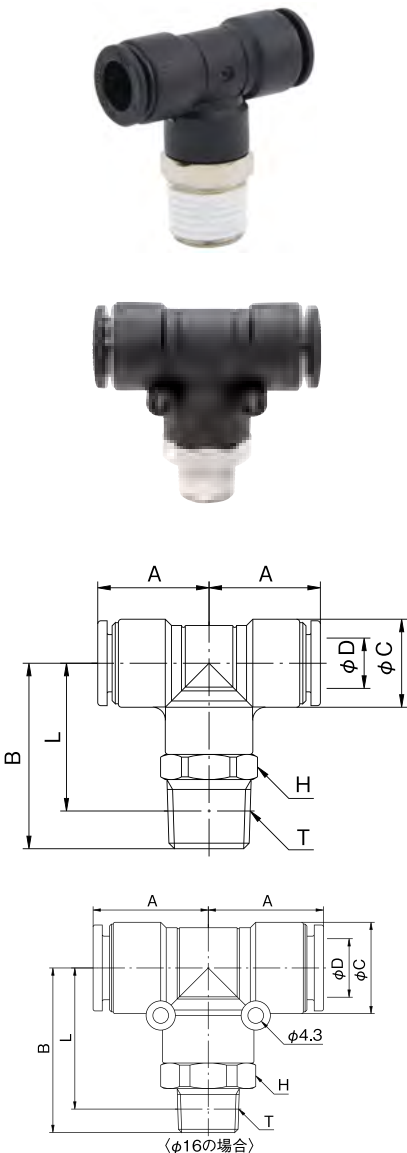
LONG MALE ELBOW



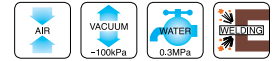
Model	A	B	ØC	Tube O.D. ØD	Spanner Flats H	L	Thread T	Tube Insertion Depth	Weight (g)
Black body									
F4-01M2L	14.8	34.5	10	4	10.0	30.5	R1/8	12.0	17.2
F4-02M2L		37.5			14.0	31.5	R1/4		34.8
F6-01M2L	15.8	38.5	12	6	12.0	34.5	R1/8	12.5	23.5
F6-02M2L		41.5			14.0	35.5	R1/4		37.3
F8-01M2L	17.8	42.5	14	8	14.0	38.5	R1/8	13.7	31.6
F8-02M2L		45.5			14.0	39.5	R1/4		36.5
F8-03M2L		46.5			17.0	40.1	R3/8		59.5
F10-02M2L	19.8	51.5	17	10	17.0	45.5	R1/4	14.6	54.3
F10-03M2L		52.5			17.0	46.1	R3/8		61.3
F10-04M2L		55.5			21.0	47.5	R1/2		106.3
F12-02M2L	22.3	57.0	20	12	19.0	51.0	R1/4	15.4	84.4
F12-03M2L		58.0			21.0	51.6	R3/8		89.8
F12-04M2L		61.0			21.0	53.0	R1/2		105.5



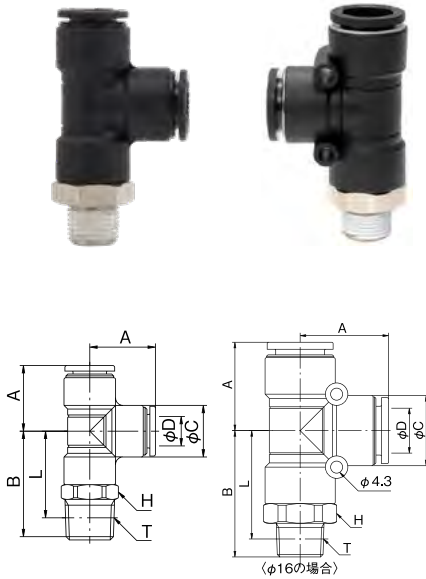
MALE BRANCH TEE



Model	A	B	ØC	Tube O.D. ØD	Spanner Flats H	L	Thread T	Tube Insertion Depth	Weight (g)
Black body									
F4-M5MT	14.8	19.0	10	4	10.0	16.0	M5 x 0.8	12.0	7.2
F4-01MT		22.5			10.0	18.5	R1/8		10.6
F4-02MT		26.5			14.0	20.5	R1/4		19.6
F6-M5MT	15.8	20.0	12	6	12.0	17.0	M5 x 0.8	12.5	8.4
F6-01MT		24.5			12.0	20.5	R1/8		12.1
F6-02MT		27.5			14.0	21.5	R1/4		20.5
F6-03MT		29.5			17.0	23.1	R3/8		31.8
F8-01MT	17.8	26.5	14	8	14.0	22.5	R1/8	13.7	15.2
F8-02MT		29.5			14.0	23.5	R1/4		19.7
F8-03MT		31.5			17.0	25.1	R3/8		34.1
F10-01MT	19.8	29.5	17	10	17.0	25.5	R1/8	14.6	21.3
F10-02MT		32.5			17.0	26.5	R1/4		24.6
F10-03MT		33.5			17.0	27.1	R3/8		30.7
F10-04MT		36.5			21.0	28.5	R1/2		56.4
F12-02MT	22.3	35.0	20	12	19.0	29.0	R1/4	15.4	27.0
F12-03MT		36.0			21.0	29.6	R3/8		33.6
F12-04MT		39.0			21.0	31.0	R1/2		53.5
F16-03MT	31.5	45.0	25	16	24.0	38.6	R3/8	23.3	94.0
F16-04MT		48.0			24.0	40.0	R1/2		101.2



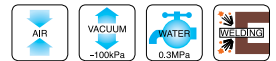
MALE RUN TEE



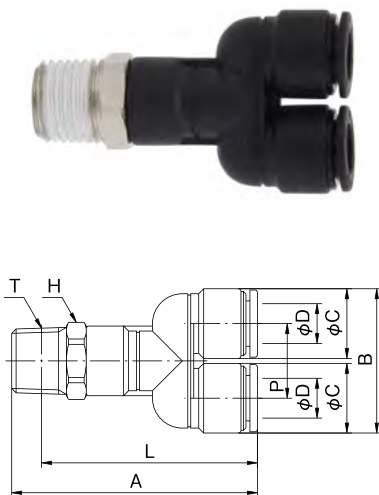
Model	A	B	ØC	Tube O.D. ØD	Spanner Flats H	L	Thread T	Tube Insertion Depth	Weight (g)
F4-M5RT	14.8	19.0	10	4	10.0	16.0	M5 x 0.8	12.0	7.2
F4-01RT		22.5			10.0	18.5	R1/8		10.6
F4-02RT		26.5			14.0	20.5	R1/4		19.6
F6-M5RT	15.8	20.0	12	6	12.0	17.0	M5 x 0.8	12.5	8.4
F6-01RT		24.5			12.0	20.5	R1/8		12.1
F6-02RT		27.5			14.0	21.5	R1/4		20.5
F6-03RT		29.5			17.0	23.1	R3/8		31.8
F8-01RT	17.8	26.5	14	8	14.0	22.5	R1/8	13.7	15.2
F8-02RT		29.5			14.0	23.5	R1/4		19.7
F8-03RT		31.5			17.0	25.1	R3/8		34.1
F10-01RT	19.8	29.5	17	10	17.0	25.5	R1/8	14.6	21.3
F10-02RT		32.5			17.0	26.5	R1/4		24.6
F10-03RT		33.5			17.0	27.1	R3/8		30.7
F10-04RT		36.5			21.0	28.5	R1/2		56.4
F12-02RT	22.3	35.0	20	12	19.0	29.0	R1/4	15.4	27.0
F12-03RT		36.0			21.0	29.6	R3/8		33.6
F12-04RT		39.0			21.0	31.0	R1/2		53.5
F16-03RT	31.5	45.0	25	16	24.0	38.6	R3/8	23.3	94.0
F16-04RT		48.0			24.0	40.0	R1/2		101.2

FITTING

Made in Japan



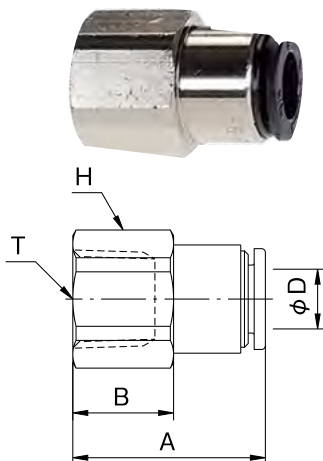
MALE BRANCE Y



Model	A	B	ØC	Tube O.D. ØD	Spanner Flats H	L	P	Thread T	Tube Insertion Depth	Weight (g)
F4-M5MY	35.8	20.8	10	4	10.0	32.8	10.8	M5 x 0.8	12.0	6.6
F4-01MY	39.3				10.0	35.3		R1/8		9.7
F4-02MY	43.3				14.0	37.3		R1/4		19.5
F6-M5MY	38.4	25.0	12	6	12.0	35.4	13.0	M5 x 0.8	12.5	9.1
F6-01MY	42.9				12.0	38.9		R1/8		12.2
F6-02MY	45.9				14.0	39.9		R1/4		19.8
F6-03MY	47.9				17.0	41.5	R3/8		33.0	
F8-01MY	46.4	29.0	14	8	14.0	42.4	15.0	R1/8	13.7	15.9
F8-02MY	49.4				14.0	43.4		R1/4		19.8
F8-03MY	51.4				17.0	45.0		R3/8		32.5
F10-01MY	52.7	35.0	17	10	17.0	48.7	18.0	R1/8	14.6	25.4
F10-02MY	55.7				17.0	49.7		R1/4		28.5
F10-03MY	56.7				17.0	50.3		R3/8		34.5
F10-04MY	59.7				21.0	51.7	R1/2		57.0	
F12-02MY	59.3	41.0	20	12	19.0	53.3	21.0	R1/4	15.4	39.4
F12-03MY	60.3				21.0	53.9		R3/8		43.8
F12-04MY	63.3				21.0	55.3		R1/2		58.0

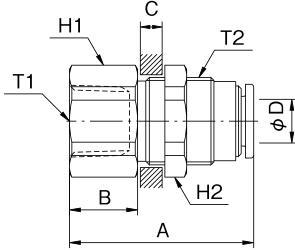


FEMALE CONNECTOR



Model	A	B	Tube O.D. ØD	Spanner Flats H	Thread T	Tube Insertion Depth	Weight (g)
F4-01F	21.3	11.0	4	12.0	Rc1/8	12.0	10.2
F4-02F	24.3	12.5		17.0	Rc1/4		20.0
F6-01F	21.8	11.0	6	12.0	Rc1/8	12.5	12.7
F6-02F	24.8	13.0		17.0	Rc1/4		20.3
F6-03F	25.8	13.5		21.0	Rc3/8		33.5
F8-01F	22.8	11.5	8	14.0	Rc1/8	13.7	16.4
F8-02F	25.8	13.5		17.0	Rc1/4		20.3
F8-03F	26.8	14.0		21.0	Rc3/8		33.0
F10-02F	26.8	14.0	10	17.0	Rc1/4	14.6	29.0
F10-03F	27.8	14.5		21.0	Rc3/8		35.0
F10-04F	30.8	16.5		24.0	Rc1/2		39.9
F12-02F	27.8	14.5	12	21.0	Rc1/4	15.4	39.9
F12-03F	28.8	15.5		21.0	Rc3/8		44.3
F12-04F	31.8	17.0		24.0	Rc1/2		58.5

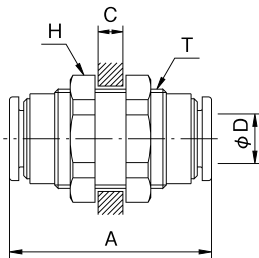




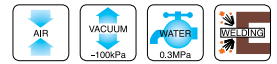
FEMALE BULK



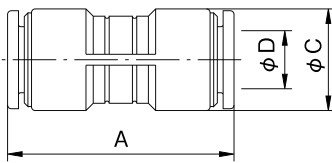
Model	A	B	C Max	Tube O.D. ØD	Spanner Flats H		Thread T		Tube Insertion Depth	Weight (g)
					H1	H2	T1	T2		
F4-01FB	29.8	8.5	10.0	4	14.0	14.0	Rc1/8	M12 x 1	12.0	21.8
F6-02FB	34.3	13.0		6	17.0	17.0	Rc1/4	M14 x 1	12.5	34.2
F8-02FB	33.8	12.5		8	19.0	19.0	Rc1/4	M16 x 1	13.7	42.8
F10-03FB	34.3	13.0		10	24.0	24.0	Rc3/8	M20 x 1	14.6	66.1
F12-03FB	34.3	12.0		12	24.0	24.0	Rc3/8	M22 x 1	15.4	68.2



BULKHEAD UNION



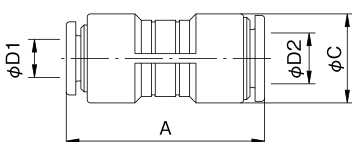
Model	A	C Max	Tube O.D. ØD	Spanner Flats H	Thread T	Tube Insertion Depth	Weight (g)
F4-00BU	32.6	10.0	4	14.0	M12 x 1	12.0	21.4
F6-00BU	32.6		6	17.0	M14 x 1	12.5	29.8
F8-00BU	32.6		8	19.0	M16 x 1	13.7	31.8
F10-00BU	32.6		10	24.0	M20 x 1	14.6	47.5
F12-00BU	34.6		12	24.0	M22 x 1	15.4	54.8
F16-00BU	48.0	18.0	16	30.0	M26 x 1.5	23.3	104.2



UNION



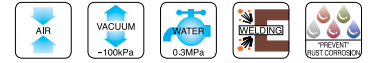
Model	A	ØC	Tube O.D. ØD	Tube Insertion Depth	Weight (g)
FR4-00U	26.4	10	4	12.0	1.9
FR6-00U	28.4	12	6	12.5	2.4
FR8-00U	31.2	14	8	13.7	3.4
FR10-00U	33.8	17	10	14.6	5.3
FR12-00U	35.0	20	12	15.4	7.5
FR16-00U	51.0	25	16	23.3	29.4



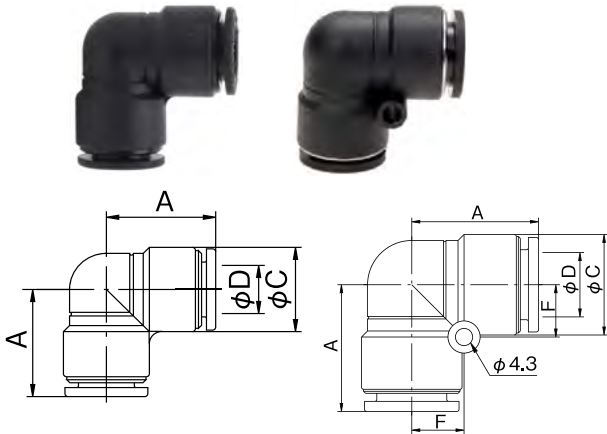
DIFFERENT UNION



Model	A	ØC	Tube O.D. ØD		Tube Insertion Depth		Weight (g)
			ØD1	ØD2	ØD1	ØD2	
FR4-06U	28.4	12	4	6	12.5		2.6
FR6-08U	31.2	14	6	8	13.7		3.7
FR8-10U	33.8	17	8	10	14.6		5.6
FR10-12U	35.0	20	10	12	15.4		8.1
FR12-16U	51.0	25	12	16	15.4	23.3	37.4



UNION ELBOW

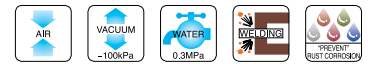


Model	A	ØC	Tube O.D. ØD	F	Tube Insertion Depth	Weight (g)
FR4-00UL	14.8	10	4	—	12.0	2.1
FR6-00UL	15.8	12	6	—	12.5	2.2
FR8-00UL	17.8	14	8	—	13.7	3.2
FR10-00UL	19.8	17	10	—	14.6	5.3
FR12-00UL	22.3	20	12	—	15.4	6.6
FR16-00UL	31.5	25	16	13.0	23.3	33.6

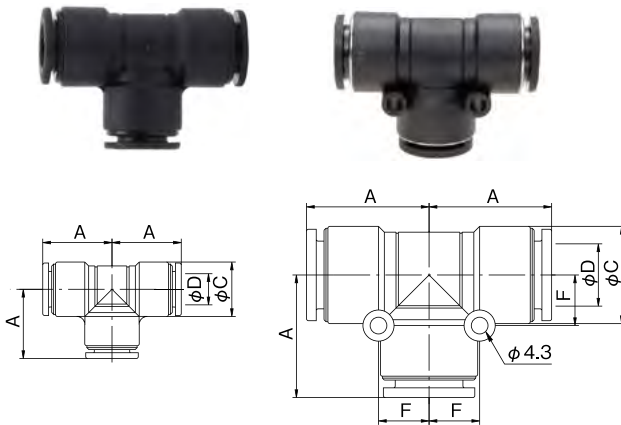
FITTING

CHIYODA

Made in Japan

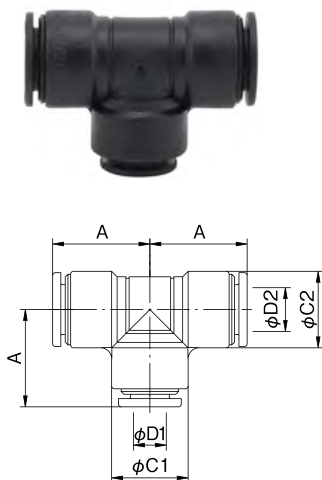
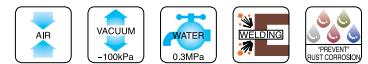


UNION TEE



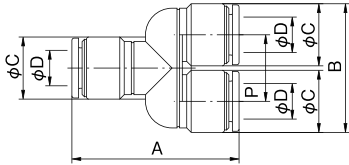
Model	A	ØC	Tube O.D. ØD	F	Tube Insertion Depth	Weight (g)
FR4-00UT	14.8	10	4	—	12.0	2.9
FR6-00UT	15.8	12	6	—	12.5	3.1
FR8-00UT	17.8	14	8	—	13.7	4.4
FR10-00UT	19.8	17	10	—	14.6	6.9
FR12-00UT	22.3	20	12	—	15.4	8.8
FR16-00UT	31.5	25	16	13.0	23.3	48.6

DIFFERENT UNION TEE

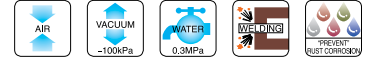


Model	A	ØC1	ØC2	Tube O.D. ØD		Tube Insertion Depth ØD1 ØD2	Weight (g)
				ØD1	ØD2		
FR4-66UT	15.8	12	12	4	6	12.5	3.9
FR6-88UT	17.8	14	14	6	8	13.7	5.6
FR8-1010UT	19.8	17	17	8	10	14.6	8.7
FR10-1212UT	22.3	20	20	10	12	15.4	13.9

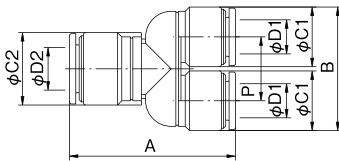
Model	A	ØC1	ØC2	Tube O.D. ØD		Tube Insertion Depth ØD1 ØD2	Weight (g)
				ØD1	ØD2		
FR6-44UT	15.8	12	12	6	4	12.5	4.0
FR8-66UT	17.8	14	14	8	6	13.7	5.9
FR10-88UT	19.8	17	17	10	8	14.6	9.2
FR12-1010UT	22.3	20	20	12	10	15.4	14.4



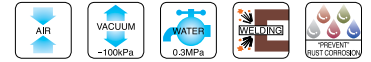
UNION Y



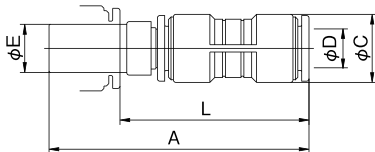
Model	A	B	ØC	Tube O.D. ØD	P	Tube Insertion Depth	Weight (g)
FR4-00UY	31.6	20.8	10	4	10.8	12.0	3.1
FR6-00UY	34.2	25.0	12	6	13.0	12.5	4.4
FR8-00UY	37.7	29.0	14	8	15.0	13.7	6.2
FR10-00UY	43.0	35.0	17	10	18.0	14.6	10.8
FR12-00UY	46.6	41.0	20	12	21.0	15.4	16.4



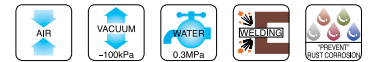
DIFFERENT UNION Y



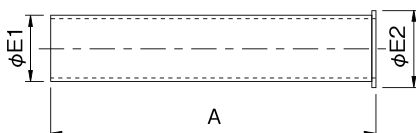
Model	A	B	ØC1	ØC2	Tube O.D. ØD		P	Insertion Depth ØD1	Insertion Depth ØD2	Weight (g)
					ØD1	ØD2				
FR4-06UY	32.6	20.8	10	12	4	6	10.8	12.0	12.5	3.4
FR6-08UY	35.6	25.0	12	14	6	8	13.0	12.5	13.7	4.9
FR8-10UY	39.0	29.0	14	17	8	10	15.0	13.7	14.6	6.9
FR10-12UY	43.6	35.0	17	20	10	12	18.0	14.6	15.4	11.8



REDUCER



Model	A	ØC	Tube O.D. ØD	ØE	L	Tube Insertion Depth	Weight (g)
FR4-6RC	44.4	10	4	6	31.9	12.0	2.4
FR4-8RC	46.4	10	4	8	32.7	12.0	2.7
FR6-8RC	48.9	12	6	8	35.2	12.5	3.3
FR6-10RC	50.9	12	6	10	36.3	12.5	3.8
FR8-10RC	53.5	14	8	10	38.9	13.7	4.9
FR8-12RC	54.5	14	8	12	39.1	13.7	5.4
FR10-12RC	57.2	17	10	12	41.8	14.6	7.6



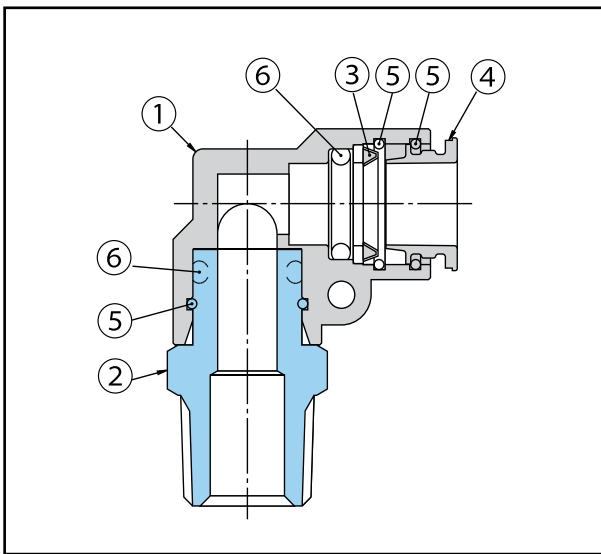
INNER SUPPORT



Model	Tube O.D. ØD	A	ØE1	ØE2
IS-4	4 x 2.5	18	2.4	3.0
IS-6	6 x 4	19	3.9	4.5
IS-8	8 x 5	20	4.9	5.5
IS-10	10 x 6.5	22	6.4	7.0
IS-12	12 x 8	25	7.9	8.5

TOUCH CONNECTOR FUJI

ข้อต่อฟิตติ้ง



- เหมาะสำหรับงานลม
- ระบบสวมต่อเข้า-ออกจังหวะเดียว ช่วยประหยัดเวลาในการเชื่อมต่อ
- ระบบล็อก C-Ring ช่วยให้การสวมต่อแน่นหนา ปลอดภัยง่าย โดยไม่ทำลายสายลม
- สามารถหมุน และปรับทิศทางตามการใช้งาน
- บริเวณเกลียวข้อต่อเคลือบด้วยเทป sealant ป้องกันการรั่วซึม
- สามารถเพิ่ม Indicator ring เพื่อแยกประเภทจุดใช้งาน

Media	Compressed Air	Vacuum
Working Temperature Range	-5~60°C <23-140°F>	-5~60°C <23-140°F>
Max. Working Pressure	1MPa	-100kPa
Tube used	TE,TP,MTP (Polyurethane tube), TN (Nylon tube)	

*THE VALUE AT A TEMPERATURE OF 20°C (68°F)

Part NO.	Part Name	Materials
①	Main Body Metal Part Nipple Type Other type Plastic Part	Brass Brass Plated Zine Die-casting Polyacetal
②	Male Adaptor	Brass
③	Lock Ring	Phosphor Bronze
④	Release Ring	Zine Die-casting
⑤	Stop Ring	Stainless
⑥	O-ring	NBR

วิธีการอ่านรหัสสินค้า

6 R - 01 ML

6 — Tube O.D.
4 : Ø4mm 8 : Ø8mm 12 : Ø12mm
6 : Ø6mm 10 : Ø10mm

R — No mark : Metal Body
R : Resin Body

01 — Thread
M5 : M5x0.8 03 : R3/8 • Rc3/8
01 : R1/8 • Rc1/8 04 : R1/2 • Rc1/2
02 : R1/4 • Rc1/4 00 : Union Type

ML — Model
M : Male Connector UY : Different Union Y U : Different Union S2 : Double Banjo
ML : Male Elbow Y : Y Connector UL : Union Elbow S1D1 : Double Banjo
F : Female Connector RC : Reducer UT : Union Tee D2 : Double Banjo
M2L : Long Male Elbow LC : L Connector BU : Bulk Head Union S3 : Triple Banjo
MT : Male Branch Tee TC : Tee Connector FB : Female Bulk Head S2D1 : Triple Banjo
RT : Male Run Tee S1 : Single Banjo BY : Branch Y S1D2 : Triple Banjo
U : Union D1 : Single Banjo UY : Union Y D3 : Triple Banjo



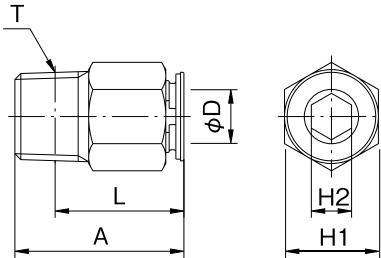
MALE CONNECTOR
(METAL BODY)



FITTING

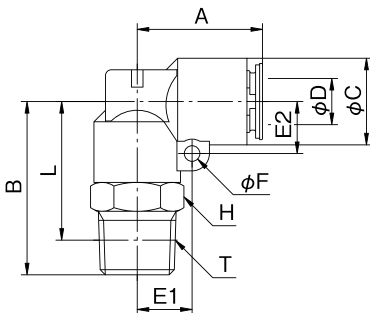


Made in Japan



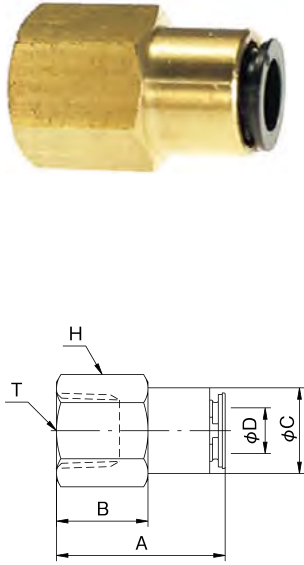
Model	A	Tube O.D. ØD	Spanner Flats		L	Thread T	Tube Insertion Depth	Weight (g)
			H1	H2				
4-M5MS	20.0	4	ø9.8	2.0	16.5	M5 x 0.8	15.0	5.5
6-M5MS	21.3	6	ø11.8	2.0	17.8	M5 x 0.8	16.3	7.0
4-M5M	20.0	4	10.0	ø2.0	16.5	M5 x 0.8	15.0	7.0
4-01M	17.1		10.0	3.0	13.1	R1/8	15.0	6.5
4-02M	18.6		14.0	3.0	12.6	R1/4	15.0	15.0
6-M5M	21.3		12.0	ø2.0	17.8	M5 x 0.8	16.3	8.5
6-01M	21.2	6	12.0	4.0	17.2	R1/8	16.3	9.0
6-02M	19.7		14.0	4.0	13.7	R1/4	16.3	13.5
6-03M	20.7		17.0	4.0	14.3	R3/8	16.3	26.0
8-01M	26.7		14.0	5.0	22.7	R1/8	17.0	15.5
8-02M	25.2	8	14.0	6.0	19.2	R1/4	17.0	16.5
8-03M	20.7		17.0	6.0	14.3	R3/8	17.0	22.5
10-01M	27.8		10	17.0	5.0	23.8	R1/8	17.8
10-02M	29.1	17.0		6.0	23.1	R1/4	17.8	26.5
10-03M	27.1	17.0		8.0	20.7	R3/8	17.8	27.5
10-04M	24.1	21.0		8.0	16.1	R1/2	17.8	41.5
12-02M	32.1	12	19.0	7.0	26.1	R1/4	19.4	33.0
12-03M	28.1		19.0	9.0	21.7	R3/8	19.4	28.5
12-04M	26.1		21.0	9.0	18.1	R1/2	19.4	40.0

MALE ELBOW
(METAL BODY)



Model	A	B	ØC	Tube O.D. ØD	E1	E2	ØF	Spanner Flats H	L	Thread T	Tube Insertion Depth	Weight (g)
4-M5ML	17.7	21.0	11.0	4	7.1	6.5	2.7	10.0	17.5	M5 x 0.8	15.0	17.0
4-01ML		25.0						10.0	21.0	R1/8		21.0
4-02ML		28.0						14.0	22.0	R1/4		26.0
6-M5ML	19.5	23.0	13.0	6	8.3	7.5	2.7	12.0	19.5	M5 x 0.8	16.3	24.0
6-01ML		26.0						12.0	22.0	R1/8		28.5
6-02ML		29.0						14.0	23.0	R1/4		31.5
6-03ML		30.0						17.0	23.6	R3/8		38.5
8-01ML	21.2	27.0	15.0	8	9.5	9.0	2.7	14.0	23.0	R1/8	17.0	36.0
8-02ML		30.0						14.0	24.0	R1/4		40.0
8-03ML		31.0						17.0	24.6	R3/8		44.0
10-01ML	23.0	28.0	17.0	10	10.5	10.0	2.7	17.0	24.0	R1/8	17.8	42.0
10-02ML		31.0						17.0	25.0	R1/4		45.5
10-03ML		32.0						17.0	25.6	R3/8		49.0
10-04ML		36.0						21.0	28.0	R1/2		66.0
12-02ML	25.6	34.5	19.0	12	11.5	11.0	2.7	19.0	28.5	R1/4	19.4	60.5
12-03ML		35.5						19.0	29.1	R3/8		65.0
12-04ML		38.5						21.0	30.5	R1/2		77.5

FEMALE CONNECTOR (METAL BODY)



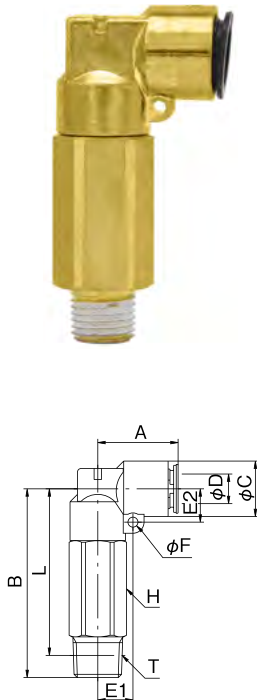
Model	A	B	ØC	Tube O.D. ØD	Spanner Flats H	Thread T	Tube Insertion Depth	Weight (g)
4-01F	24.5	13.0	11.0	4	12.0	Rc1/8	15.0	13.5
4-02F	27.5	15.0			17.0	Rc1/4		26.0
6-01F	25.8	14.0	13.0	6	14.0	Rc1/8	16.3	20.0
6-02F	28.8	16.0			17.0	Rc1/4		29.0
6-03F	29.8	16.0			21.0	Rc3/8		39.5
8-01F	26.5	14.0	15.0	8	17.0	Rc1/8	17.0	30.5
8-02F	29.5	16.0			17.0	Rc1/4		30.0
8-03F	30.5	17.0			21.0	Rc3/8		42.5
10-02F	30.3	16.0	17.0	10	17.0	Rc1/4	17.8	30.5
10-03F	31.3	17.0			21.0	Rc3/8		43.0
10-04F	34.3	19.0			24.0	Rc1/2		53.0
12-02F	31.9	17.0	19.0	12	19.0	Rc1/4	19.4	40.0
12-03F	32.9	18.0			21.0	Rc3/8		45.5
12-04F	35.9	19.5			24.0	Rc1/2		56.5

FITTING

Made in Japan



LONG MALE ELBOW (METAL BODY)



Model	A	B	ØC	Tube O.D. ØD	E1	E2	ØF	Spanner Flats H	L	Thread T	Tube Insertion Depth	Weight (g)
4-01M2L	17.7	42.0	11.0	4	7.1	6.5	2.7	10.0	38.0	R1/8	15.0	34.5
4-02M2L		45.0						14.0	39.0	R1/4		44.0
6-01M2L	19.5	45.0	13.0	6	8.3	7.5	2.7	12.0	41.0	R1/8	16.3	42.5
6-02M2L		48.0						14.0	42.0	R1/4		51.5
8-01M2L	21.2	48.0	15.0	8	9.5	9.0	2.7	14.0	44.0	R1/8	17.0	57.0
8-02M2L		51.0						14.0	45.0	R1/4		58.0
8-03M2L		52.0						17.0	45.6	R3/8		74.0
10-02M2L	23.0	54.0	17.0	10	10.5	10.0	2.7	17.0	48.0	R1/4	17.8	85.0
10-03M2L		55.0						17.0	48.6	R3/8		82.5
10-04M2L		59.0						21.0	51.0	R1/2		113.0
12-02M2L	25.6	58.5	19.0	12	11.5	11.0	2.7	19.0	52.5	R1/4	19.4	109.5
12-03M2L		59.5						19.0	53.1	R3/8		110.5
12-04M2L		64.5						21.0	56.5	R1/2		130.5

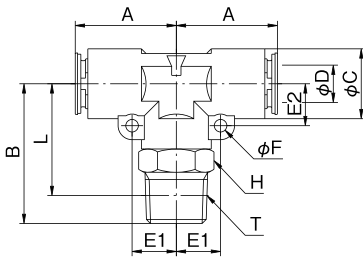
MALE BRANCH TEE (METAL BODY)



FITTING

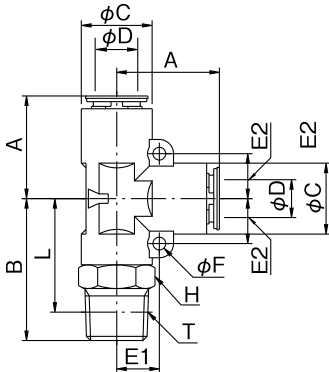


Made in Japan



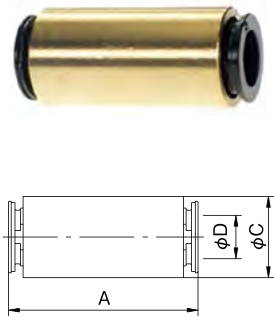
Model	A	B	ØC	Tube O.D. ØD	E1	E2	ØF	Spanner Flats H	L	Thread T	Tube Insertion Depth	Weight (g)
4-M5MT		21.0						10.0	17.5	M5 x 0.8		23.0
4-01MT	17.7	25.0	11.0	4	7.1	6.5		10.0	21.0	R1/8	15.0	27.0
4-02MT		28.0						14.0	22.0	R1/4		31.5
6-M5MT		23.0						12.0	19.5	M5 x 0.8		30.0
6-01MT	19.5	26.0	13.0	6	8.3	7.5		12.0	22.0	R1/8	16.3	34.5
6-02MT		29.0						14.0	23.0	R1/4		37.5
6-03MT		30.0						17.0	23.6	R3/8		45.5
8-01MT		27.0						14.0	23.0	R1/8		45.5
8-02MT	21.2	30.0	15.0	8	9.5	9.0	2.7	14.0	24.0	R1/4	17.0	49.5
8-03MT		31.0						17.0	24.6	R3/8		53.0
10-01MT		28.0						17.0	24.0	R1/8		55.0
10-02MT	23.0	31.0	17.0	10	10.5	10.0		17.0	25.0	R1/4	17.8	58.5
10-03MT		32.0						17.0	25.6	R3/8		62.5
10-04MT		36.0						21.0	28.0	R1/2		79.5
12-02MT		34.5						19.0	28.5	R1/4		77.5
12-03MT	25.6	35.5	19.0	12	11.5	11.0		19.0	29.1	R3/8	19.4	80.5
12-04MT		38.5						21.0	30.5	R1/2		93.0

MALE RUN TEE (METAL BODY)



Model	A	B	ØC	Tube O.D. ØD	E1	E2	ØF	Spanner Flats H	L	Thread T	Tube Insertion Depth	Weight (g)
4-M5RT		21.2						10.0	17.7	M5 x 0.8		23.5
4-01RT	17.7	25.2	11.0	4	6.5	7.1		10.0	21.2	R1/8	15.0	27.0
4-02RT		28.2						14.0	22.2	R1/4		32.0
6-M5RT		23.0						12.0	19.5	M5 x 0.8		30.5
6-01RT	19.5	26.0	13.0	6	7.5	8.3		12.0	22.0	R1/8	16.3	34.5
6-02RT		29.0						14.0	23.0	R1/4		37.5
6-03RT		30.0						17.0	23.6	R3/8		45.5
8-01RT		27.0						14.0	23.0	R1/8		45.0
8-02RT	21.2	30.0	15.0	8	9.0	9.5	2.7	14.0	24.0	R1/4	17.0	48.5
8-03RT		31.0						17.0	24.6	R3/8		53.0
10-01RT		28.0						17.0	24.0	R1/8		55.0
10-02RT	23.0	31.0	17.0	10	10.0	10.5		17.0	25.0	R1/4	17.8	58.5
10-03RT		32.0						17.0	25.6	R3/8		62.5
10-04RT		36.0						21.0	28.0	R1/2		79.0
12-02RT		34.5						19.0	28.5	R1/4		76.0
12-03RT	25.6	35.5	19.0	12	11.0	11.5		19.0	29.1	R3/8	19.4	80.0
12-04RT		38.5						21.0	30.5	R1/2		93.0

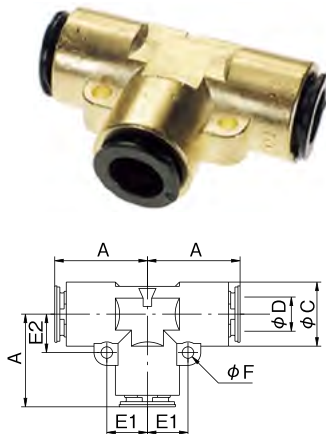
UNION NIPPLE
(METAL BODY)



Model	A	ØC	Tube O.D. ØD	Tube Insertion Depth	Weight (g)
4-00U	31.0	11	4	15.0	15.5
6-00U	33.6	13	6	16.3	21.0
8-00U	35.0	15	8	17.0	26.0
10-00U	36.6	17	10	17.8	32.0
12-00U	39.8	19	12	19.4	38.5

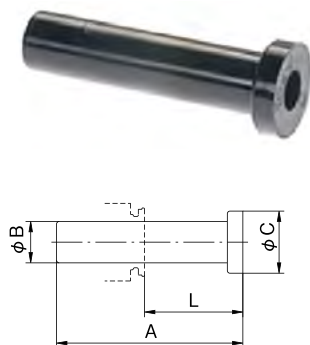
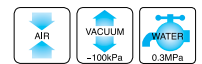


UNION TEE
(METAL BODY)



Model	A	ØC	Tube O.D. ØD	E1	E2	ØF	Tube Insertion Depth	Weight (g)
4-00UT	17.7	11	4	7.1	6.5	2.7	15.0	20.0
6-00UT	19.5	13	6	8.3	7.5		16.3	26.0
8-00UT	21.2	15	8	9.5	9.0		17.0	34.0
10-00UT	23.0	17	10	10.5	10.0		17.8	43.5
12-00UT	25.6	19	12	11.5	11.0		19.4	55.5

BLIND PLUG
[RESIN BODY]



Model	A	ØB	ØC	L	Weight (g)
RP-4	30	4	8	15.0	0.5
RP-6	36	6	10	19.7	1.0
RP-8	36	8	12	19.0	2.0
RP-10	40	10	14	22.2	2.5
RP-12	43	12	16	23.6	4.0

TOUCH CONNECTOR FUJI [COOLING WATER]

ข้อต่อฟิตติง

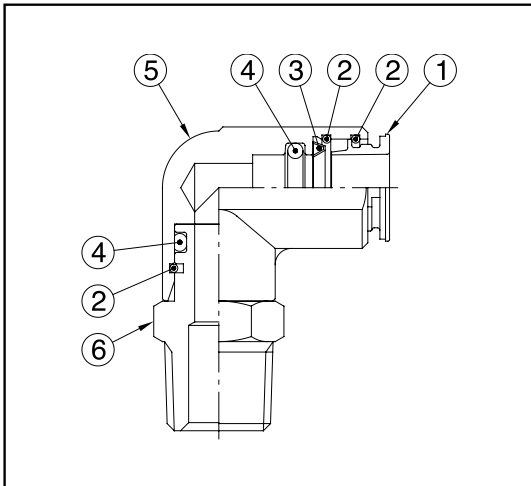
FITTING



Made in Japan



- เหมาะกับงานน้ำหล่อเย็น และงานที่ใช้อุณหภูมิสูง
- ระบบสวมต่อเข้า-ออกจังหวะเดียว ช่วยประหยัดเวลาในการเชื่อมต่อ
- ระบบล็อก C-Ring ช่วยให้การสวมต่อแน่นหนา ปลอดภัยโดยไม่ทำลายสาย สามารถหมุน และปรับทิศทางตามการใช้งาน
- บริเวณเกลียวข้อต่อเคลือบด้วยเทป sealant ป้องกันการรั่วซึม
- สามารถเพิ่ม Indicator ring เพื่อแยกประเภทจุดใช้งาน

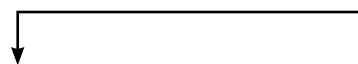


Media	Industrial Water	
Max. Working Pressure	1MPa	
Working Temperature Range	0~200°C	
Recommended Tube and Application Temperature	P-Flex PU Tube	0~80°C
	TN (Nylon) Tube	0~60°C
	TF (PFA) Tube	0~260°C

Part NO.	Parts	Materials	Plating
①	Release Ring	ZDC1	Brass Plated
②	Spring	SUS304	
③	Lock Ring	C5210R	
④	Packing	FKM	
⑤	Body	C3604BD	
⑥	Adaptor	C3604BD	

วิธีการอ่านรหัสสินค้า

8 - 01 M - V


8

Inner Tube O.D. 6 : Ø8mm 10 : Ø10mm 12 : Ø12mm

01

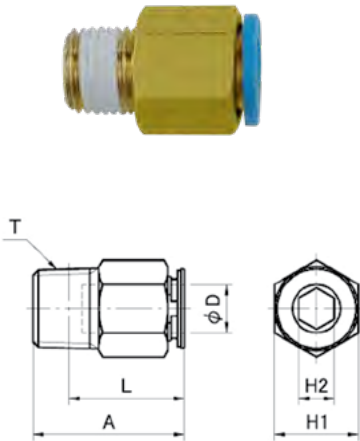
Thread 00 : Non Tread, 01 : R1/8 • RC 1/8 02 : R1/4 • RC 1/4 03 : R3/8 • RC 3/8 04 : R1/2 • RC 1/2

M

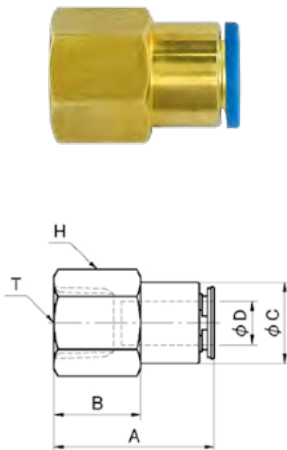
Model M : Male Connector	F : Female Connector
MLB : Male Elbow	UTB : Union Tee
M2LB : Long Male Elbow	LCB : L Connector
RC : Hose Connector	

V

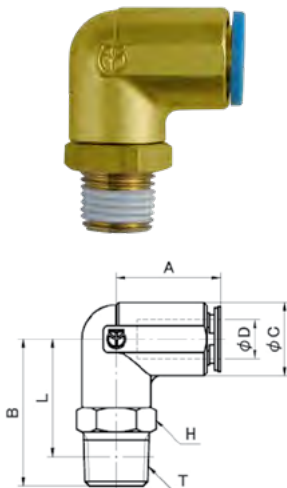
Function V : Viton

MALE CONNECTOR


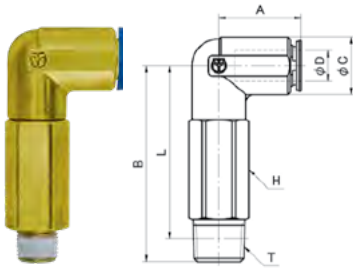
Model	A	Tube O.D. ØD	Spanner Flats		L	Thread T	Tube Insertion Depth	Weight (g)
			H1	H2				
8-01M-V-CR LB	26.7	8	14.0	5.0	22.7	R1/8	17.0	15.5
8-02M-V-CR LB	25.2		14.0	6.0	19.2	R1/4		16.5
8-03M-V-CR LB	20.7		17.0	6.0	14.3	R3/8		22.5
10-01M-V-CR LB	27.8	10	17.0	5.0	23.8	R1/8	17.8	22.0
10-02M-V-CR LB	29.1		17.0	6.0	23.1	R1/4		26.5
10-03M-V-CR LB	27.1		17.0	8.0	20.7	R3/8		27.5
12-02M-V-CR LB	32.1	12	19.0	7.0	26.1	R1/4	19.4	33.0
12-03M-V-CR LB	28.1		19.0	9.0	21.7	R3/8		28.5
12-04M-V-CR LB	26.1		21.0	9.0	18.1	R1/2		40.0


FEMALE CONNECTOR (METAL BODY)


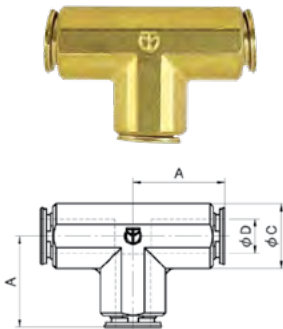
Model	A	B	ØC	Tube O.D. ØD	Spanner Flats H	Thread T	Tube Insertion Depth	Weight (g)
8-01F-V-CR LB	26.5	14.0	15	8	17.0	Rc1/8	17.0	30.5
8-02F-V-CR LB	29.5	16.0			17.0	Rc1/4		30.0
8-03F-V-CR LB	30.5	17.0			21.0	Rc3/8		42.5
10-02F-V-CR LB	30.3	16.0	17	10	17.0	Rc1/4	17.8	30.5
10-03F-V-CR LB	31.3	17.0			21.0	Rc3/8		43.0
12-02F-V-CR LB	31.9	17.0	19	12	19.0	Rc1/4	19.4	40.0
12-03F-V-CR LB	32.9	18.0			21.0	Rc3/8		45.5
12-04F-V-CR LB	35.9	19.5			24.0	Rc1/2		56.5

MALE ELBOW (METAL BODY)


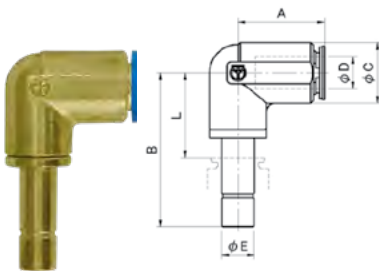
Model	A	B	ØC	Tube O.D. ØD	Spanner Flats H	L	Thread T	Tube Insertion Depth	Weight (g)
8-01MLB-V-CR LB	21.2	27.0	15	8	14.0	23.0	R1/8	17.0	41.4
8-02MLB-V-CR LB	21.2	30.0			14.0	24.0	R1/4		45.4
8-03MLB-V-CR LB	21.2	31.0			17.0	24.6	R3/8		49.4
10-01MLB-V-CR LB	23.0	28.0	18	10	17.0	24.0	R1/8	17.8	57.9
10-02MLB-V-CR LB	23.0	31.0			17.0	25.0	R1/4		61.4
10-03MLB-V-CR LB	23.0	32.0			17.0	25.6	R3/8		64.9
12-02MLB-V-CR LB	25.6	34.5	20	12	19.0	28.5	R1/4	19.4	81.9
12-03MLB-V-CR LB	25.6	35.5			19.0	29.1	R3/8		86.4
12-04MLB-V-CR LB	25.6	38.5			21.0	30.5	R1/2		98.9


LONG MALE ELBOW (METAL BODY)


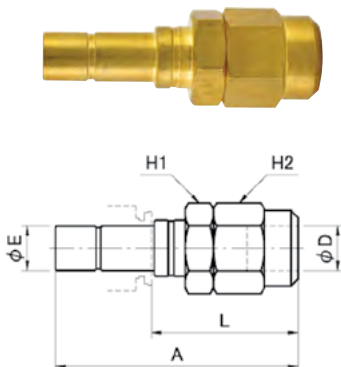
Model	A	B	ØC	Tube O.D. ØD	Spanner Flats H	L	Thread T	Tube Insertion Depth	Weight (g)
8-01M2LB-V-CR LB	21.2	48.0	15	8	14.0	44.0	R1/8	17.0	62.4
8-02M2LB-V-CR LB	21.2	51.0			14.0	45.0	R1/4		63.4
8-03M2LB-V-CR LB	21.2	52.0			17.0	45.6	R3/8		79.4
10-02M2LB-V-CR LB	23.0	54.0	18	10	17.0	48.0	R1/4	17.8	100.9
10-03M2LB-V-CR LB	23.0	55.0			17.0	48.6	R3/8		98.4
12-02M2LB-V-CR LB	25.6	58.5	20	12	19.0	52.5	R1/4	19.4	130.9
12-03M2LB-V-CR LB	25.6	59.5			19.0	53.1	R3/8		131.9
12-04M2LB-V-CR LB	25.6	64.5			21.0	56.5	R1/2		151.9

UNION TEE (METAL BODY)


Model	A	ØC	Tube O.D. ØD	Tube Insertion Depth	Weight (g)
8-00UTB-V-CR LB	21.2	15	8	17.0	42.3
10-00UTB-V-CR LB	23.0	18	10	17.8	65.4
12-00UTB-V-CR LB	25.6	20	12	19.4	84.9

L CONNECTOR (METAL BODY)


Model	A	B	ØC	Tube O.D. ØD	ØE	L	Tube Insertion Depth	Weight (g)
8-00LCB-V-CR LB	21.2	38.0	15	8	8	21.0	17.0	34.8
10-00LCB-V-CR LB	23.0	39.5	18	10	10	21.7	17.8	53.9
12-00LCB-V-CR LB	25.6	42.5	20	12	12	23.1	19.4	73.3

HOSE CONNECTOR (METAL BODY)


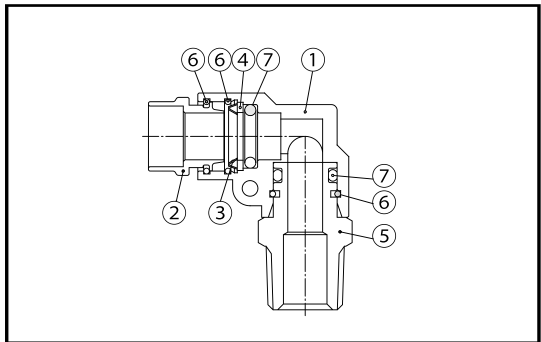
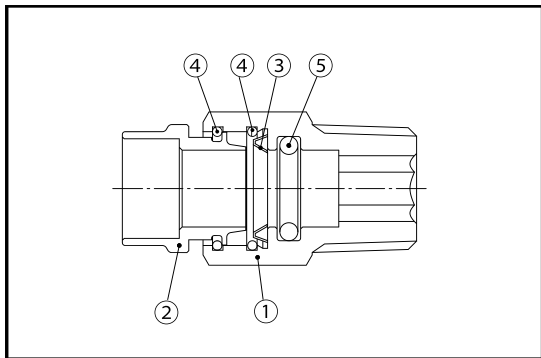
Model	A	Tube O.D. ØD	ØE	Spanner Flats		L	Tube Insertion Depth	Weight (g)
				H1	H2			
HF8-8RC	43.0	8	8	14.0	14.0	26.0	9.0	25.0
HF10-10RC	48.0	10	10	17.0	17.0	30.2	9.0	43.7
HF12-12RC	53.0	12	12	19.0	19.0	33.6	11.0	58.9

TOUCH CONNECTOR FUJI H TYPE

ข้อต่อฟิตติง



- เหมาะสำหรับงานลม งานน้ำ และงานทนสะเทือนไฟ
- มีปลอกทองเหลืองป้องกันสะเทือนไฟ
- ระบบสวมต่อเข้า-ออกจังหวะเดียว ช่วยประหยัดเวลาในการเชื่อมต่อ
- ระบบล็อก C-Ring ช่วยให้การสวมต่อแน่นหนา ปลอดภัยโดยไม่ทำลายสาย
- สามารถหมุนปรับทิศทางตามการใช้งาน
- บริเวณเกลียวข้อต่อเคลือบด้วยเทป sealant ป้องกันการรั่วซึม
- สามารถเพิ่ม indicator ring เพื่อแยกประเภทจุดใช้งาน



Media	Compressed Air	Water
Working Temperature Range	-5~60°C<23-140°F>	5~40°C<41-104°F>
Max. Working Pressure	1MPa	0.3MPa
Water hammer considered in value above		
Tube used	LE, LE-S, ALE, CTP	

*Zinc types are applicable to compressed air only

Part NO.	Parts Name	Materials
①	Body Straight, Union, Banjo types, Other types	Brass Zink Die-Casting
②	Releasing Ring	Brass
③	Rock Ring	Phosphor Bronze
④	Stop Ring	Stainless Steel
⑤	O-ring	NBR

Part NO.	Parts Name	Materials
①	Body	Zink Die-Casting
②	Releasing Ring	Brass
③	Rock Ring	Phosphor Bronze
④	Stop Washer	Brass
⑤	Adaptor	Brass
⑥	Stop Ring	Stainless Steel
⑦	O-ring	NBR

วิธีการอ่านรหัสสินค้า

6 - 01 ML - H

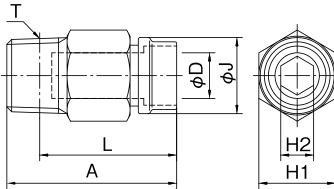
6 • Inner Tube O.D.
6 : Ø6mm, 8 : Ø8mm, 10 : Ø10mm, 12 : Ø12mm

01 • Thread M5 : M5x0.8 00 : Union 01 : R1/8
02 : R1/4 03 : R3/8 04 : R1/2

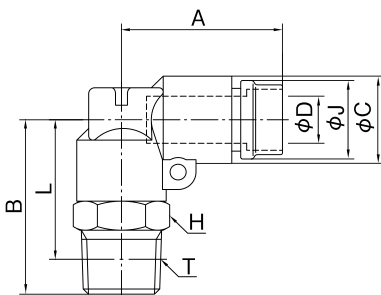
ML • Shape M : Male Connector ML : Male Elbow (Zink)
U : Union UT : Union tee (Zink)
S1 : Single Banjo MLB : Male Elbow (Brass)

H • Function H : For Welding Environment




MALE CONNECTOR

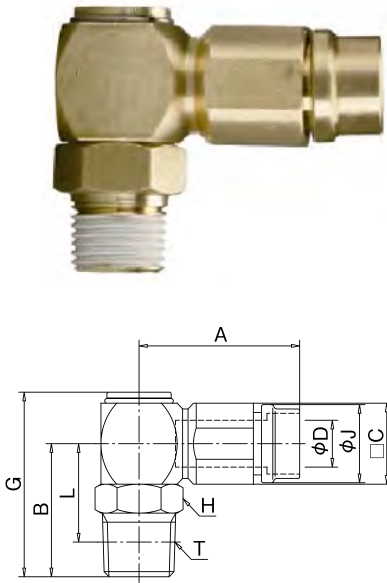
Model	A	Tube O.D. ØD	Spanner Flats		ØJ	L	Tube Insertion Depth	Inner Depth	Thread T	Weight (g)
			H1	H2						
6-M5M-H	27.1	6	12.0	ø2	11.5	23.6	22.1	16.1	M5 x 0.8	10.5
6-01M-H	27.0		12.0	4.0		23.0			R1/8	11.0
6-02M-H	25.5		14.0	4.0		19.5			R1/4	15.5
6-03M-H	26.5		17.0	4.0		20.1			R3/8	28.0
8-01M-H	32.5	8	14.0	5.0	13.5	28.5	22.8	16.8	R1/8	18.0
8-02M-H	31.0		14.0	6.0		25.0			R1/4	19.0
8-03M-H	26.5		17.0	6.0		20.1			R3/8	25.0
10-01M-H	34.6	10	17.0	5.0	16.5	30.6	24.6	17.6	R1/8	26.0
10-02M-H	35.9		17.0	6.0		29.9			R1/4	30.5
10-03M-H	33.9		17.0	8.0		27.5			R3/8	31.5
10-04M-H	30.9		21.0	8.0		22.9			R1/2	45.5
12-02M-H	38.9	12	19.0	7.0	18.5	32.9	26.2	19.2	R1/4	37.7
12-03M-H	34.9		19.0	9.0		28.5			R3/8	33.2
12-04M-H	32.9		21.0	9.0		24.9			R1/2	44.7

MALE ELBOW (ZINK)


Model	A	B	ØC	Tube O.D. ØD	Spanner Flats H	ØJ	L	Tube Insertion Depth	Inner Depth	Thread T	Weight (g)
6-M5ML-H	25.3	23.0	13	6	12.0	11.5	19.5	22.1	16.1	M5 x 0.8	26.0
6-01ML-H	25.3	26.0			12.0		22.0			R1/8	30.5
6-02ML-H	25.3	29.0			14.0		23.0			R1/4	33.5
6-03ML-H	25.3	30.0			17.0		23.6			R3/8	40.5
8-01ML-H	27.0	27.0	15	8	14.0	13.5	23.0	22.8	16.8	R1/8	38.5
8-02ML-H	27.0	30.0			14.0		24.0			R1/4	42.5
8-03ML-H	27.0	31.0			17.0		24.6			R3/8	46.5
10-01ML-H	29.8	28.0	17	10	17.0	16.5	24.0	24.6	17.6	R1/8	46.0
10-02ML-H	29.8	31.0			17.0		25.0			R1/4	49.5
10-03ML-H	29.8	32.0			17.0		25.6			R3/8	53.0
10-04ML-H	29.8	36.0			21.0		28.0			R1/2	70.0
12-02ML-H	32.4	34.5	19	12	19.0	18.5	28.5	26.2	19.2	R1/4	65.2
12-03ML-H	32.4	35.5			19.0		29.1			R3/8	69.7
12-04ML-H	32.4	38.5			21.0		30.5			R1/2	82.2



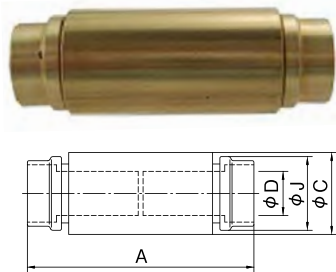
SINGLE BANJO



Model	A	B	ØC	Tube O.D. ØD	G	Spanner Flats H	ØJ	L	Tube Insertion Depth	Inner Depth	Thread T	Weight (g)
6-01S1-H	27.5	19.0	12	6	26.8	12.0	11.5	15.0	22.1	16.1	R1/8	28.0
6-02S1-H	27.5	22.0			29.8	14.0		16.0			R1/4	33.5
6-03S1-H	27.5	23.0			30.8	17.0		16.6			R3/8	41.0
8-01S1-H	29.5	20.0	14	8	28.9	14.0	13.5	16.0	22.8	16.8	R1/8	38.5
8-02S1-H	29.5	23.0			31.9	14.0		17.0			R1/4	42.5
8-03S1-H	29.5	24.0			32.9	17.0		17.6			R3/8	50.0
10-01S1-H	33.4	21.5	17	10	32.1	17.0	16.5	17.5	24.6	17.6	R1/8	52.0
10-02S1-H	33.4	24.5			35.1	17.0		18.5			R1/4	64.5
10-03S1-H	33.4	25.5			36.1	17.0		19.1			R3/8	69.5
10-04S1-H	33.4	29.5			40.1	21.0		21.5			R1/2	88.5
12-02S1-H	35.9	25.5	19	12	37.1	19.0	18.5	19.5	26.2	19.2	R1/4	85.2
12-03S1-H	35.9	26.5			38.1	19.0		20.1			R3/8	86.2
12-04S1-H	35.9	30.5			42.1	21.0		22.5			R1/2	100.7



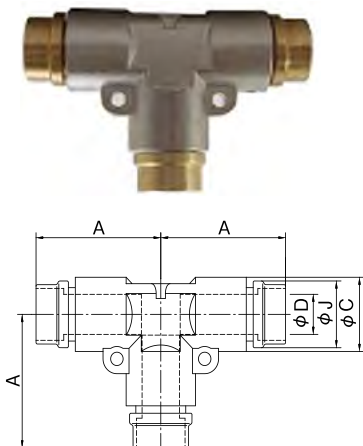
UNION



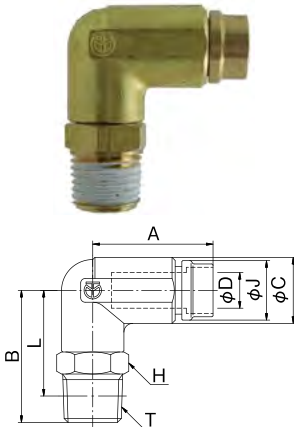
Model	A	ØC	Tube O.D. ØD	Tube Insertion Depth	Inner Depth	ØJ	Weight (g)
6-00U-H	45.2	13	6	22.1	16.1	11.5	23.0
8-00U-H	46.6	15	8	22.8	16.8	13.5	28.5
10-00U-H	50.2	17	10	24.6	17.6	16.5	36.0
12-00U-H	53.4	19	12	26.2	19.2	18.5	43.2



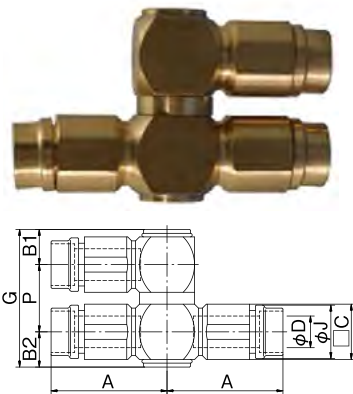
UNION TEE (ZINK)



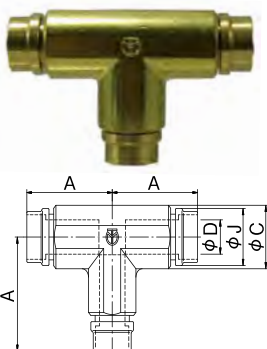
Model	A	ØC	Tube O.D. ØD	Tube Insertion Depth	Inner Depth	ØJ	Weight (g)
6-00UT-H	25.3	13	6	22.1	16.1	11.5	28.0
8-00UT-H	27.0	15	8	22.8	16.8	13.5	36.5
10-00UT-H	29.8	17	10	24.6	17.6	16.5	47.5
12-00UT-H	32.4	19	12	26.2	19.2	18.5	60.2


MALE ELBOW (BRASS)


Model	A	B	φC	Tube O.D. ØD	Spanner Flats H	φJ	L	Tube Insertion Depth	Inner Depth	Thread T	Weight (g)
6-M5MLB-H	25.3	23.0	13	6	12.0	11.5	19.5	22.1	16.1	M5 x 0.8	27.4
6-01MLB-H		26.0			12.0		22.0			R1/8	31.4
6-02MLB-H		29.0			14.0		23.0			R1/4	36.3
6-03MLB-H		30.0			17.0		23.6			R3/8	43.9
8-01MLB-H	27.0	27.0	15	8	14.0	13.5	23.0	22.8	16.8	R1/8	41.3
8-02MLB-H		30.0			14.0		24.0			R1/4	44.1
8-03MLB-H		31.0			17.0		24.6			R3/8	51.7
10-01MLB-H	29.8	28.0	18	10	17.0	16.5	24.0	24.6	17.6	R1/8	61.7
10-02MLB-H		31.0			17.0		25.0			R1/4	64.8
10-03MLB-H		32.0			17.0		25.6			R3/8	69.5
10-04MLB-H		36.0			21.0		28.0			R1/2	85.9
12-02MLB-H	32.4	34.5	20	12	19.0	18.5	28.5	26.2	19.2	R1/4	86.1
12-03MLB-H		35.5			19.0		29.1			R3/8	90.5
12-04MLB-H		38.5			21.0		30.5			R1/2	102.8


UNION Y

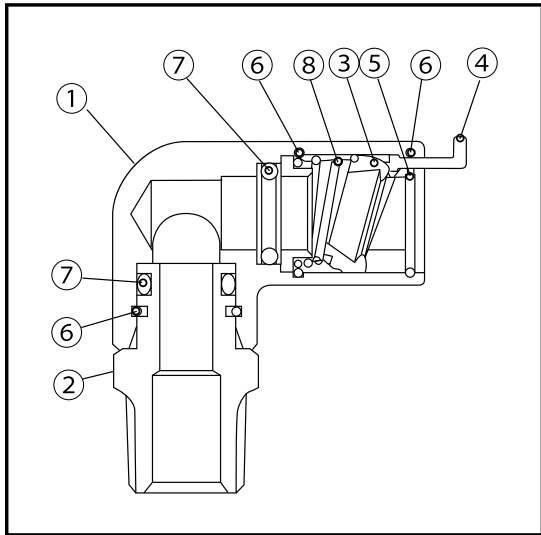

Model	A	B1	B2	φC	Tube O.D. ØD	G	φJ	P	Tube Insertion Depth	Inner Depth	Weight (g)
6-00UY-H	27.5	7.7	7.7	12	6	30.6	11.5	15.2	22.1	16.1	55.9
8-00UY-H	29.5	8.7	8.7	14	8	34.8	13.5	17.4	22.8	16.8	75.1
10-00UY-H	33.4	10.4	10.4	17	10	41.2	16.5	20.4	17.6	17.6	121.6
12-00UY-H	35.9	11.4	13.2	19	12	47.0	18.5	22.4	19.2	19.2	157.8


UNION TEE (BRASS)


Model	A	φC	Tube O.D. ØD	φJ	Tube Insertion Depth	Inner Depth	Weight (g)
6-00UTB-H	25.3	13	6	11.5	22.1	16.1	37.0
8-00UTB-H	27.0	15	8	13.5	22.8	16.8	49.2
10-00UTB-H	29.8	18	10	16.5	24.6	17.6	76.9
12-00UTB-H	32.4	20	12	18.5	26.2	19.2	99.7

TOUCH CONNECTOR

ข้อต่อฟิตตึง



- เหมาะสำหรับงานลม งานน้ำ และงานที่มีการสั่นสะเทือนสูง
- ลิขสิทธิ์เฉพาะของ Chiyoda แคว้นลือกลสปริง (Active Edge) ที่ออกแบบให้เหมาะสำหรับงานหนัก งานที่มีประกายไฟ หรือสะเก็ดไฟ เช่น งานเชื่อม งานเจียร งานตัด เป็นต้น
- ลือกลสปริงช่วยเพิ่มความแน่นหนาให้การสวมต่อ
- ปลอดภัยง่ายโดยไม่ทำลายสายลม และสามารถหมุนปรับทิศทางในการเชื่อมต่อ

Media	Compressed Air	Industrial water	Vacuum
Working Temperature Range	-5~60°C <23-140°F>	-5~40°C <41-140°F>	-5~60°C <23-140°F>
Max. Working Pressure	1MPa	0.3MPa	-100kPa
Water hammer considered in value above			
Tube used	TE,TP,MTP (Polyurethane tube),TN (Nylon tube)		

*The value at a temperature of 20°C (68°F)
Please choose dedicated fittings when use industrial water.

Part NO.	Part Name	Materials
①	Main Body Metal Type Resin Type	Brass Polyacetal
②	Male Adaptor	Brass
③	Lock Ring	Brass
④	Release Lever	Brass plated zinc die-casting
⑤	Stopper	Brass plated zinc die-casting
⑥	Stop Ring	Stainless
⑦	O-ring	NBR
⑧	Spring	Piano wire

วิธีการอ่านรหัสสินค้า

C K N - 6 - 01

C : Metal Body
R: Resin Body

K : Thread
U: Union

N : Model
 N : Nipple Connector (U)N : Nipple Union L - O - O -2L : Long Elbow
 L : Elbow Connector (U)L : Union Elbow
 T : Tee's Connector (U)T : Union Tee
 S : Service Tee's (B)U : Bulkhead Union

6 : Tube O.D.
 4 : Ø4mm 8 : Ø8mm 12 : Ø12mm
 6 : Ø6mm 10 : Ø10mm

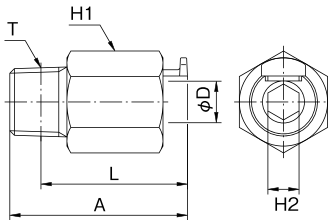
01 : Thread
 M5 : M5×0.8 01 : R1/8 03 : R3/8
 02 : R1/4 04 : R1/2 00 : Union Type



NIPPLE CONNECTOR (METAL BODY)



Model	A	Tube O.D. ØD	Spanner Flats		L	Thread T	Effective Section Area (mm ²)		Tube Insertion Depth	Weight (g)
			H1	H2			Polyurethane Tube	Nylon Tube		
CKN-4-M5	29.7	4	12.0	Ø2.0	26.2	M5 x 0.8	2.7	2.9	19.5	13.8
CKN-4-01	26.7		12.0	3.0	22.7	R1/8	3.3	5.5		13.0
CKN-4-02	26.7		14.0	3.0	20.7	R1/4	3.3	5.5		20.4
CKN-6-01	32.2	6	14.0	4.0	28.2	R1/8	10.5	14.0	22.5	19.2
CKN-6-02	32.2		14.0	4.0	26.2	R1/4	11.0	14.5		22.6
CKN-6-03	32.2		17.0	4.0	25.8	R3/8	11.0	14.5		40.2
CKN-8-01	36.2	8	17.0	5.0	32.2	R1/8	15.0	20.0	22.5	32.6
CKN-8-02	34.2		17.0	6.0	28.2	R1/4	17.5	27.5		30.8
CKN-8-03	31.2		17.0	6.0	24.8	R3/8	17.5	27.5		32.0
CKN-10-01	40.9	10	19.0	5.0	36.9	R1/8	20.0	28.0	25.0	41.4
CKN-10-02	38.9		19.0	6.0	32.9	R1/4	30.0	42.0		38.4
CKN-10-03	37.9		19.0	8.0	31.5	R3/8	30.0	42.0		41.6
CKN-10-04	34.9		21.0	8.0	26.9	R1/2	30.0	42.0		54.4
CKN-12-02	46.4	12	21.0	7.0	40.4	R1/4	43.0	50.0	28.0	52.0
CKN-12-03	43.9		21.0	9.0	37.5	R3/8	43.0	50.0		52.4
CKN-12-04	44.4		21.0	9.0	36.4	R1/2	45.0	55.0		63.2



FITTING

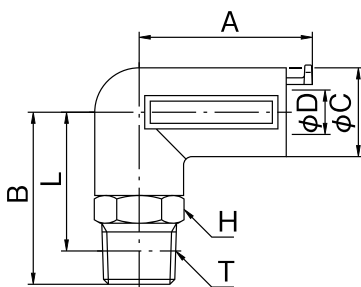


Made in Japan

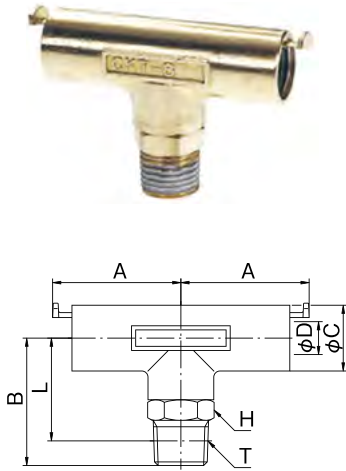
ELBOW CONNECTOR (METAL BODY)



Model	A	B	ØC	Tube O.D. ØD	Spanner Flats H	L	Thread T	Effective Section Area (mm ²)		Tube Insertion Depth	Weight (g)
								Polyurethane Tube	Nylon Tube		
CKL-4-M5	26.2	21.5	12	4	10.0	18.0	M5 x 0.8	2.9	3.0	19.5	28.2
CKL-4-01		25.5			10.0	21.5	R1/8	3.1	5.4		31.8
CKL-4-02		28.5			14.0	22.5	R1/4	3.1	5.4		36.2
CKL-6-01	29.7	27.0	14	6	12.0	23.0	R1/8	9.0	10.0	22.5	44.6
CKL-6-02		30.0			14.0	24.0	R1/4	9.1	10.5		45.0
CKL-6-03		31.0			17.0	24.6	R3/8	9.1	10.5		55.4
CKL-8-01	31.2	28.0	16	8	14.0	24.0	R1/8	15.5	22.0	22.5	60.8
CKL-8-02		31.0			14.0	25.0	R1/4	15.5	22.0		61.4
CKL-8-03		32.0			17.0	25.6	R3/8	15.5	22.0		68.8
CKL-10-01	34.9	28.0	18	10	17.0	24.0	R1/8	18.5	22.0	25.0	62.4
CKL-10-02		31.0			17.0	25.0	R1/4	26.0	33.0		67.8
CKL-10-03		32.0			17.0	25.6	R3/8	26.0	33.0		71.6
CKL-10-04		36.0			21.0	28.0	R1/2	26.0	33.0		83.6
CKL-12-02	38.4	35.0	21	12	19.0	29.0	R1/4	36.0	41.0	27.2	95.2
CKL-12-03		36.0			19.0	29.6	R3/8	40.0	48.0		99.8
CKL-12-04		39.0			21.0	31.0	R1/2	40.0	48.0		113.2



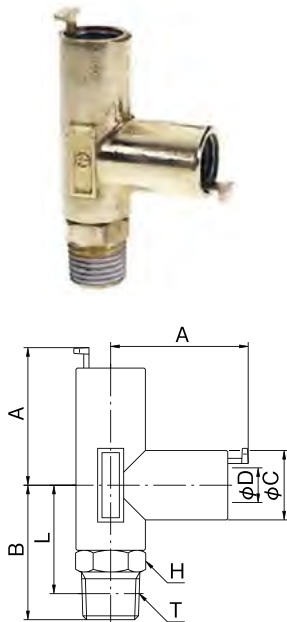
TEE'S CONNECTOR (METAL BODY)



Model	A	B	ØC	Tube O.D. ØD	Spanner Flats H	L	Thread T	Effective Section Area (mm ²)		Tube Insertion Depth	Weight (g)
								Polyurethane Tube	Nylon Tube		
CKT-4-M5	26.2	21.5	12	4	10.0	18.0	M5 x 0.8	3.3	3.4	19.5	38.2
CKT-4-01		25.5			10.0	21.5	R1/8	4.9	6.7		41.6
CKT-4-02		28.5			14.0	22.5	R1/4	4.9	6.7		46.6
CKT-6-01	29.7	27.0	14	6	12.0	23.0	R1/8	12.5	13.0	22.5	59.6
CKT-6-02		30.0			14.0	24.0	R1/4	12.5	13.0		62.4
CKT-6-03		31.0			17.0	24.6	R3/8	13.0	14.0		71.5
CKT-8-01	31.2	28.0	16	8	14.0	24.0	R1/8	23.0	25.0	25.0	61.6
CKT-8-02		31.0			14.0	25.0	R1/4	23.0	25.0		83.0
CKT-8-03		32.0			17.0	25.6	R3/8	23.0	25.0		86.2
CKT-10-01	34.9	28.0	18	10	17.0	24.0	R1/8	25.0	29.0	25.0	85.6
CKT-10-02		31.0			17.0	25.0	R1/4	36.0	41.0		85.4
CKT-10-03		32.0			17.0	25.6	R3/8	36.0	41.0		89.8
CKT-10-04		36.0			21.0	28.0	R1/2	36.0	41.0		106.0
CKT-12-02	38.4	35.0	21	12	19.0	29.0	R1/4	42.0	45.0	28.0	129.0
CKT-12-03		36.0			19.0	29.6	R3/8	55.0	60.0		130.8
CKT-12-04		39.0			21.0	31.0	R1/2	55.0	60.0		141.8

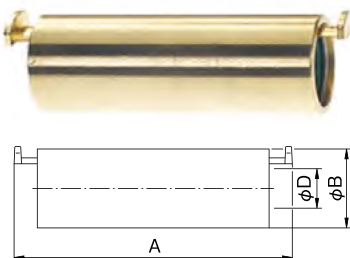


SERVICE TEE'S (METAL BODY)

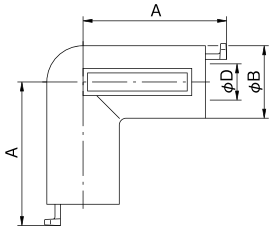


Model	A	B	ØC	Tube O.D. ØD	Spanner Flats H	L	Thread T	Effective Section Area (mm ²)		Tube Insertion Depth	Weight (g)
								Polyurethane Tube	Nylon Tube		
CKS-4-M5	27.2	21.5	12	4	10.0	18.0	M5 x 0.8	3.3	3.4	19.5	40.6
CKS-4-01		25.5			10.0	21.5	R1/8	4.9	6.7		44.4
CKS-4-02		28.5			14.0	22.5	R1/4	4.9	6.7		47.0
CKS-6-01	30.7	26.5	14	6	12.0	22.5	R1/8	12.5	13.0	22.5	59.6
CKS-6-02		29.5			14.0	23.5	R1/4	12.5	13.0		62.8
CKS-6-03		30.5			17.0	24.1	R3/8	12.5	13.0		76.0
CKS-8-01	31.7	27.5	16	8	14.0	23.5	R1/8	23.0	25.0	25.0	76.8
CKS-8-02		30.5			14.0	24.5	R1/4	25.0	27.0		80.8
CKS-8-03		31.5			17.0	25.1	R3/8	25.0	27.0		85.4
CKS-10-01	36.4	28.0	18	10	17.0	24.0	R1/8	25.0	29.0	25.0	91.0
CKS-10-02		31.0			17.0	25.0	R1/4	36.0	41.0		94.2
CKS-10-03		32.0			17.0	25.6	R3/8	36.0	41.0		101.2
CKS-10-04		36.0			21.0	28.0	R1/2	36.0	41.0		111.2
CKS-12-02	40.4	35.0	21	12	19.0	29.0	R1/4	42.0	45.0	28.0	136.0
CKS-12-03		36.0			19.0	29.6	R3/8	55.0	60.0		138.8
CKS-12-04		39.0			21.0	31.0	R1/2	55.0	60.0		153.6

NIPPLE UNION (METAL BODY)



Model	A	ØB	Tube O.D. ØD	Effective Section Area (mm ²)		Tube Insertion Depth	Weight (g)
				Polyurethane Tube	Nylon Tube		
CUN-4-00	51.4	12	4	3.3	5.5	19.5	27.8
CUN-6-00	56.4	14	6	10.5	14.0	22.5	37.8
CUN-8-00	56.4	16	8	18.0	27.0	22.5	44.8
CUN-10-00	63.8	18	10	28.5	36.0	25.0	56.4
CUN-12-00	69.8	21	12	47.0	55.0	28.0	79.2

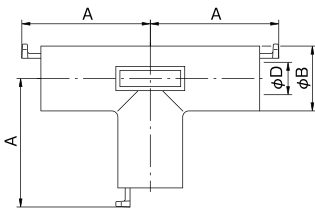
UNION ELBOW
(METAL BODY)


Model	A	ØB	Tube O.D. ØD	Effective Section Area (mm ²)		Tube Insertion Depth	Weight (g)
				Polyurethane Tube	Nylon Tube		
CUL-4-00	27.2	12	4	3.2	4.4	19.5	31.0
CUL-6-00	30.7	14	6	9.1	10.5	22.5	43.2
CUL-8-00	31.7	16	8	16.0	21.0	22.5	52.6
CUL-10-00	36.4	18	10	26.0	33.0	25.0	70.6
CUL-12-00	40.4	21	12	36.0	41.0	28.0	102.4

FITTING

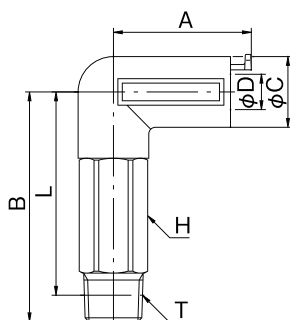


Made in Japan

 UNION TEE
(METAL BODY)


Model	A	ØB	Tube O.D. ØD	Effective Section Area (mm ²)		Tube Insertion Depth	Weight (g)
				Polyurethane Tube	Nylon Tube		
CUT-4-00	27.2	12	4	4.9	6.7	19.5	42.8
CUT-6-00	30.7	14	6	12.5	13.0	22.5	61.4
CUT-8-00	31.7	16	8	23.0	25.0	22.5	72.0
CUT-10-00	36.4	18	10	34.0	38.0	25.0	96.2
CUT-12-00	40.4	21	12	60.0	65.0	28.0	138.2

CHIYODA

 LONG ELBOW
(METAL BODY)


Model	A	B	ØC	Tube O.D. ØD	Spanner Flats H	L	Thread T	Effective Section Area (mm ²)		Tube Insertion Depth	Weight (g)
								Polyurethane Tube	Nylon Tube		
CKL-4-01-2L	26.2	42.5	12	4	10.0	38.5	R1/8	3.1	5.4	19.5	45.6
CKL-4-02-2L		45.5			14.0	39.5	R1/4				55.0
CKL-6-01-2L	29.7	46.0	14	6	12.0	42.0	R1/8	9.1	10.5	22.5	57.4
CKL-6-02-2L		49.0			14.0	43.0	R1/4				68.0
CKL-8-01-2L	31.2	49.0	16	8	14.0	45.0	R1/8	14.0	20.0	25.0	79.4
CKL-8-02-2L		52.0			14.0	46.0	R1/4				80.4
CKL-8-03-2L		53.0			17.0	46.6	R3/8				96.4
CKL-10-02-2L	34.9	54.0	18	10	17.0	48.0	R1/4	25.0	31.0	27.2	106.0
CKL-10-03-2L		55.0			17.0	48.6	R3/8				101.8
CKL-10-04-2L		59.0			21.0	51.0	R1/2				134.6
CKL-12-02-2L	38.4	59.0	21	12	19.0	53.0	R1/4	36.0	48.0	27.2	145.0
CKL-12-03-2L		60.0			19.0	53.6	R3/8				145.2
CKL-12-04-2L		65.0			21.0	57.0	R1/2				166.2

TOUCH CONNECTOR FIVE SPEED CONTROLLER

ข้อต่อฟิตติงปรับอัตราการไหลของลม



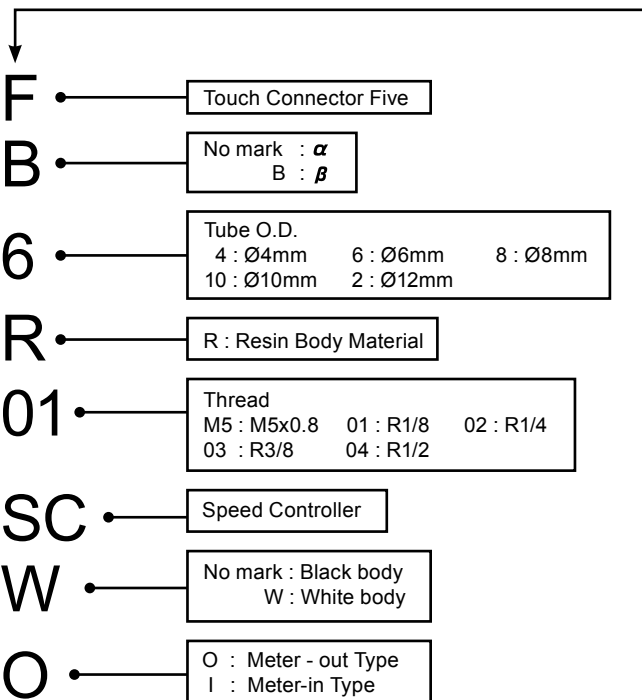
- ปรับอัตราการไหลของลมได้ง่าย
- ทำจากพลาสติกเริชเชิน ประเภท Anti-Flaming PBT ป้องกันการติดไฟ
- น้ำหนักเบา

Media	Compressed Air
Working Temperature Range	-5~60°C <23-140°F>
Max. Working Pressure	0.05MPa~0.7MPa
Tube used	TE,TP,MTP (Polyurethane tube), TN (Nylon tube)

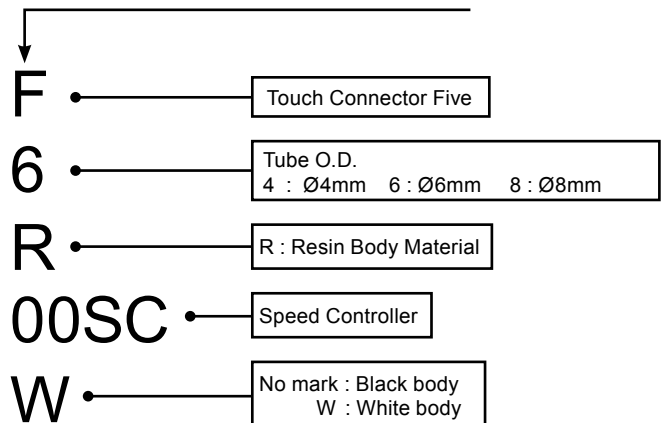
*The Value at a temperature of 20°C (68°F)

วิธีการอ่านรหัสสินค้า

F B 6 R - 01 SC W - O

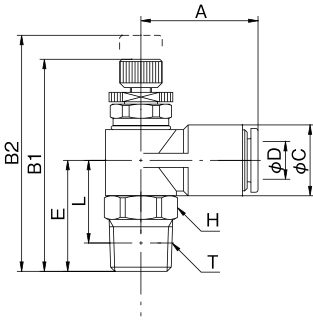


F 6 R - 00SC W



**TOUCH CONNECTOR FIVE
SPEED CONTROLLER α**


Model	A	B1	B2	ϕC	Tube O.D. ϕD	E	Spanner Flats H	L	Thread T	Tube Insertion Depth	Weight (g)
Black body											
F4R-M5SC-0(I)	22.3	35.7	38.9	13	4	16.0	12.0	13.0	M5 x 0.8	12.0	23.0
F4R-01SC-0(I)		39.2	42.4		4	19.5	12.0	15.5	R1/8	12.0	26.0
F6R-M5SC-0(I)		35.7	38.9		6	16.0	12.0	13.0	M5 x 0.8	12.5	22.0
F6R-01SC-0(I)		39.2	42.4		6	19.5	12.0	15.5	R1/8	12.5	25.0
F6R-02SC-0(I)	24.8	44.9	50.1	15.0	6	23.5	14.0	17.5	R1/4	12.5	37.0
F8R-01SC-0(I)		41.9	47.1		8	20.5	14.0	16.5	R1/8	13.7	32.5
F8R-02SC-0(I)		44.9	50.1		8	23.5	14.0	17.5	R1/4	13.7	37.5
F8R-03SC-0(I)	26.8	49.7	56.0	17.0	8	25.5	17.0	19.1	R3/8	13.7	60.0
F10R-02SC-0(I)		48.7	55.0		10	24.5	17.0	18.5	R1/4	14.6	54.0
F10R-03SC-0(I)		49.7	56.0		10	25.5	17.0	19.1	R3/8	14.6	61.0
F10R-04SC-0(I)		53.7	60.0		10	29.5	21.0	21.5	R1/2	14.6	79.0
F12R-03SC-0(I)	29.3	52.7	61.8	20.0	12	27.0	19.0	20.6	R3/8	15.4	78.0
F12R-04SC-0(I)		56.7	65.8		12	31.0	21.0	23.0	R1/2	15.4	96.0



FITTING



Made in Japan

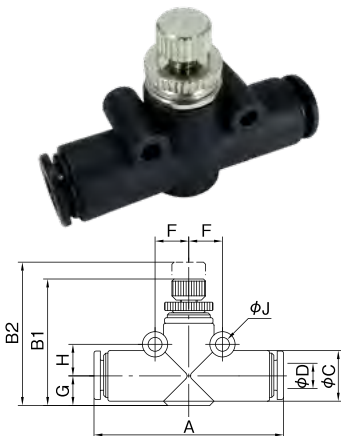
CHIYODA

**TOUCH CONNECTOR FIVE
SPEED CONTROLLER β**


Model	A	B1	B2	ϕC	Tube O.D. ϕD	E	Spanner Flats H	L	P	R	Thread T	Tube Insertion Depth	Weight (g)
Black body													
FB4R-M5SC-O(I)	22.3	35.7	38.9	13	4	15.5	12.0	12.5	14.5	22.0	M5 x 0.8	12.0	26.5
FB4R-01SC-O(I)		39.2	42.4		4	19.0	12.0	15.0	14.5	22.0	R1/8	12.0	29.5
FB6R-M5SC-O(I)		35.7	38.9		6	15.5	12.0	12.5	14.5	22.0	M5 x 0.8	12.5	25.5
FB6R-01SC-O(I)		39.2	42.4		6	19.0	12.0	15.5	14.5	22.0	R1/8	12.5	28.5
FB6R-02SC-O(I)	24.8	44.9	50.1	15	6	23.0	14.0	17.0	17.0	22.5	R1/4	12.5	41.5
FB8R-01SC-O(I)		41.9	47.1		8	20.0	14.0	16.0	17.0	25.5	R1/8	13.7	37.0
FB8R-02SC-O(I)		44.9	50.1		8	23.0	14.0	17.0	17.0	22.5	R1/4	13.7	42.0
FB8R-03SC-O(I)	26.8	49.7	56.0	17	8	25.5	17.0	19.1	20.2	30.9	R3/8	13.7	68.5
FB10R-02SC-O(I)		48.7	55.0		10	24.5	17.0	18.5	20.2	30.9	R1/4	14.6	62.5
FB10R-03SC-O(I)		49.7	56.0		10	25.5	17.0	19.1	20.2	30.9	R3/8	14.6	69.5
FB10R-04SC-O(I)		53.7	60.0		10	29.5	21.0	21.5	20.2	30.9	R1/2	14.6	87.5
FB12R-03SC-O(I)	29.3	52.7	61.8	20	12	26.5	19.0	20.1	21.7	32.9	R3/8	15.4	90.0
FB12R-04SC-O(I)		56.7	65.8		12	30.5	21.0	22.5	21.7	32.9	R1/2	15.4	108.0


**TOUCH CONNECTOR FIVE IN LINE
SPEED CONTROLLER**


Model	A	B1	B2	ϕC	Tube O.D. ϕD	F	G	H	ϕJ	Tube Insertion Depth	Weight (g)
Black body											
F4R-00SC	40.0	25.5	29.1	10	4	7.0	5.5	6.5	3.3	12.0	10.2
F6R-00SC	45.0	30.0	34.0	12	6	8.0	7.0	7.5	3.3	13.0	17.4
F8R-00SC	50.0	34.0	39.3	14	8	9.0	8.0	8.5	4.3	13.7	25.4



TOUCH CONNECTOR TYPE SPEED CONTROLLER

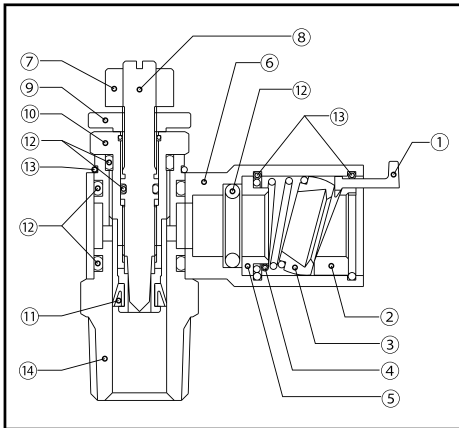
ข้อต่อฟิตติงปรับอัตราการไหลของลม



- ปรับอัตราการไหลของลมได้ง่าย
- ลิขสิทธิ์เฉพาะของ Chiyoda แหวนล๊อคสปริง (Active Edge) ที่ออกแบบให้เหมาะสำหรับงานหนัก งานที่มีประกายไฟหรือสะเก็ดไฟ เช่น งานเชื่อม งานเจียร งานตัด เป็นต้น
- ล๊อคสปริงช่วยเพิ่มความแน่นหนาให้การสวมต่อ
- ปลดล๊อคง่ายโดยไม่ทำลายสายลม และสามารถหมุนปรับทิศทางการเชื่อมต่อ

Media	Compressed Air
Working Temperature Range	-5~60°C<23-140°F>
Max. Working Pressure	0.05MPa~0.7MPa
Tube used	TE,TP,MTP (Polyurethane tube),TN (Nylon tube)

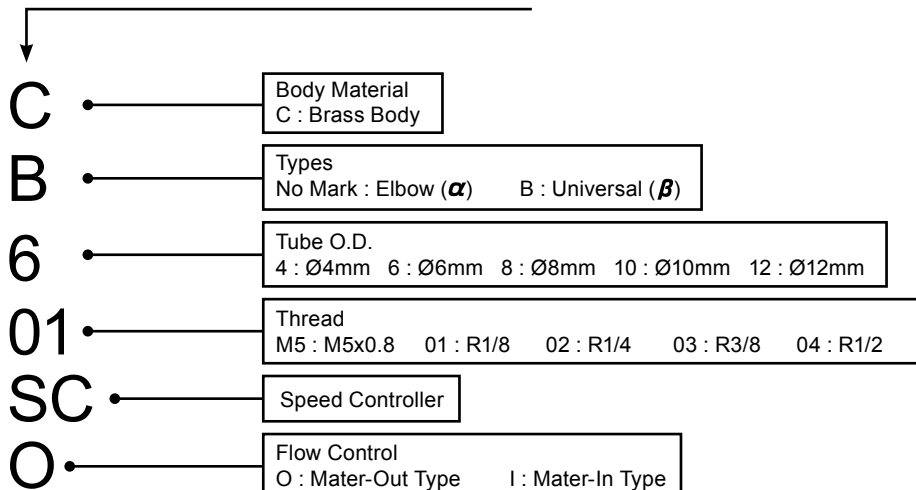
*The value at a temperature of 20°C (68°F)



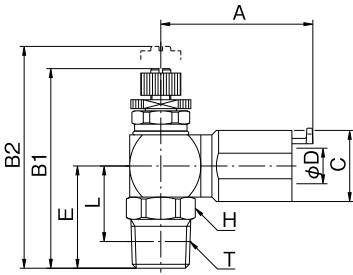
Part NO.	Part Name	Materials
①	Release lever	Brass Plated
②	Stopper	Polyacetal
③	"ACTIVE" Edge	Brass
④	Spring	Piano Wire
⑤	Stop washer	Brass
⑥	Main body	Brass
⑦	Nut	Polyacetal
⑧	Control valve	Brass
⑨	Lock nut	Brass
⑩	Nut	Brass
⑪	Packing	NBR
⑫	O-ring	NBR
⑬	Stop ring	Stainless
⑭	Male adaptor	Brass

วิธีการอ่านรหัสสินค้า

C B 6 - 01 SC - O



SPEED CONTROLLER α
TOUCH CONNECTOR TYPE



Model	A	B1	B2	C	Tube O.D. ØD	E	Spanner Flats H	L	Thread T	Tube Insertion Depth	Weight (g)
C4-M5SC-O(I)	30.7	35.7	38.9	12.0	4	15.5	12.0	12.5	M5 x 0.8	19.5	38
C4-01SC-O(I)		39.2	42.4			19.0	12.0	15.0	R1/8		40
C6-M5SC-O(I)	33.2	35.7	38.9	14.0	6	15.5	12.0	12.5	M5 x 0.8	22.5	40
C6-01SC-O(I)		39.2	42.4			19.0	12.0	15.0	R1/8		44
C6-02SC-O(I)		42.2	45.4			22.0	14.0	16.0	R1/4		48
C8-01SC-O(I)	34.2	41.9	47.0	16.0	8	20.0	14.0	16.0	R1/8	25.0	56
C8-02SC-O(I)		44.9	50.0			23.0	14.0	17.0	R1/4		60
C8-03SC-O(I)		45.9	51.0			24.0	17.0	17.6	R3/8		68
C10-02SC-O(I)	39.4	48.2	54.5	17.0	10	24.5	17.0	18.5	R1/4	25.0	82
C10-03SC-O(I)		49.2	55.5			25.5	17.0	19.1	R3/8		88
C10-04SC-O(I)		53.2	59.5			29.5	21.0	21.5	R1/2		106
C12-03SC-O(I)	43.4	52.1	61.2	21.0	12	26.5	19.0	20.1	R3/8	28.0	126
C12-04SC-O(I)		56.1	65.2			30.5	21.0	22.5	R1/2		144

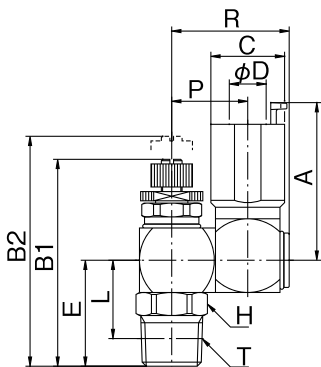
FITTING



Made in Japan

CHIYODA

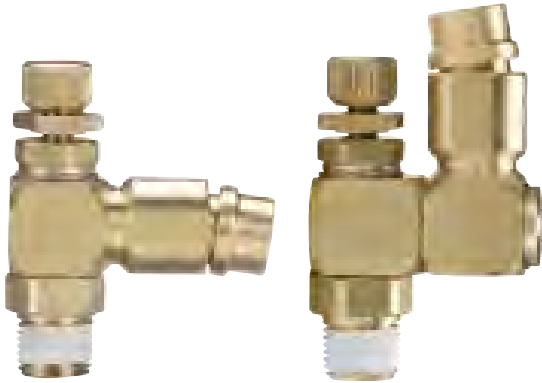
SPEED CONTROLLER β
TOUCH CONNECTOR TYPE



Model	A	B1	B2	C	Tube O.D. ØD	E	Spanner Flats H	L	P	R	Thread T	Tube Insertion Depth	Weight (g)
CB4-M5SC-O(I)	30.7	35.7	38.9	12	4	15.5	12.0	12.5			M5 x 0.8	19.5	50
CB4-01SC-O(I)		39.2	42.4			19.0	12.0	15.0			R1/8		52
CB6-M5SC-O(I)	33.2	35.7	38.9	14	6	15.5	12.0	12.5	14.0	22.0	M5 x 0.8	22.5	52
CB6-01SC-O(I)		39.2	42.4			19.0	12.0	15.0			R1/8		58
CB6-02SC-O(I)		42.2	45.4			22.0	14.0	16.0			R1/4		62
CB8-01SC-O(I)	34.2	41.9	47.0	16	8	20.0	14.0	16.0			R1/8	25.0	70
CB8-02SC-O(I)		44.9	50.0			23.0	14.0	17.0			R1/4		88
CB8-03SC-O(I)		45.9	51.0			24.0	17.0	17.6			R3/8		96
CB10-02SC-O(I)	39.4	48.2	54.5	17	10	24.5	17.0	18.5			R1/4	28.0	120
CB10-03SC-O(I)		49.2	55.5			25.5	17.0	19.1			R3/8		126
CB10-04SC-O(I)		53.2	59.5			29.5	21.0	21.5			R1/2		144
CB12-03SC-O(I)	43.4	52.1	61.2	21	12	26.5	19.0	20.1			R3/8	28.0	174
CB12-04SC-O(I)		56.1	65.2			30.5	21.0	22.5			R1/2		192

TOUCH CONNECTOR FUJI H TYPE SPEED CONTROLLER

ข้อต่อฟิตติงปรับอัตราการไหลของลม



- ปรับอัตราการไหลของลมได้ง่าย
- เหมาะสำหรับงานที่มีประกายไฟ หรือสะเก็ดไฟ เช่น งานเชื่อม งานเจีย หรืองานตัด เป็นต้น
- ระบบล็อก C-Ring ช่วยให้การสวมต่อแน่นหนา ปลอดภัย โดยไม่ทำลายสายลม
- ระบบสวมต่อเข้า-ออกจังหวะเดียว ช่วยประหยัดเวลาในการเชื่อมต่อ
- สามารถหมุน และปรับทิศทางตามการใช้งาน
- บริเวณเกลียวข้อต่อเคลือบด้วยเทป sealant ป้องกันการรั่วซึม

Media	Compressed Air
Working Temperature Range	-5~60°C<23-140°F>
Max. Working Pressure	0.05MPa~0.7MPa
Tube used	LE,LE-S,ALE,CTP

วิธีการอ่านรหัสสินค้า

6 - 01 SC - O - H

6 • Inner Tube O.D.
6 : Ø6, 8 : Ø8, 10 : Ø10, 12 : Ø12

01 • Thread Size M5 : M5×0.8 00 : Union
01 : R1/8, 02 : R1/4, 03 : R3/8, 04 : R1/2

SC • Shape
SC : Speed Controller

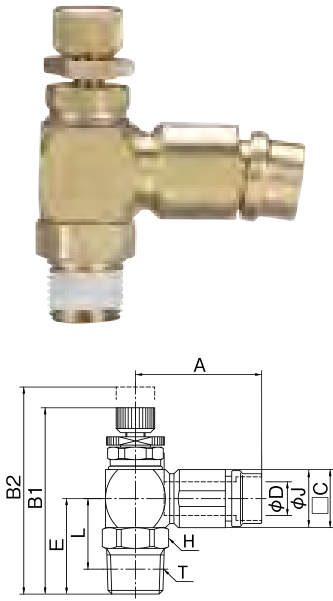
O • Flow Control
O : Meter - Out Type
I : Meter - In Type

H • Function
H : For Welding Environment (Hot works)

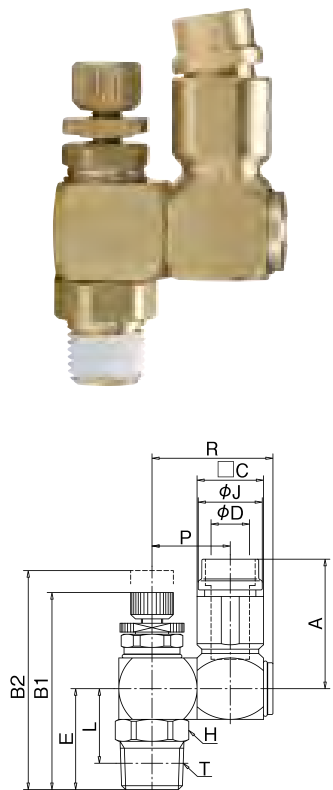


SPEED CONTROLLER α


Model	A	B1	B2	C	Tube O.D. ØD	E	Spanner Flats H	ØJ	L	Tube Insertion Depth	Inner Depth	Thread T	Weight (g)
6-M5SC-O-H	27.5	35.7	38.9	12	6	15.5	12.0	11.5	12.5	22.1	16.1	M5x0.8	31.5
6-01SC-O-H		39.2	42.4			19.0	12.0		15.0			R1/8	34.0
6-02SC-O-H		42.2	45.4			22.0	14.0		16.0			R1/4	39.5
8-01SC-O-H	29.5	41.9	47.1	14	8	20.0	14.0	13.5	16.0	22.8	16.8	R1/8	46.5
8-02SC-O-H		44.9	50.1			23.0	14.0		17.0			R1/4	51.0
8-03SC-O-H		45.9	51.1			24.0	17.0		17.6			R3/8	59.0
10-02SC-O-H	33.4	48.7	55.0	17	10	24.5	17.0	16.5	18.5	24.6	17.6	R1/4	78.0
10-03SC-O-H		49.7	56.0			49.7	17.0		19.1			R3/8	85.0
12-03SC-O-H	35.9	52.7	61.8	19	12	26.5	19.0	18.5	20.1	26.2	19.2	R3/8	114.4
12-04SC-O-H		56.7	65.8			30.5	21.0		22.5			R1/2	132.4


 SPEED CONTROLLER β


Model	A	B1	B2	C	Tube O.D. ØD	E	Spanner Flats H	ØJ	L	P	R	Tube Insertion Depth	Inner Depth	Thread T	Weight (g)
B6-M5SC-O-H	27.5	35.7	38.9	12	6	15.5	12.0	11.5	12.5	14.0	22.0	22.1	16.1	M5x0.8	45.5
B6-01SC-O-H		39.2	42.4			19.0	12.0		15.0					R1/8	47.5
B6-02SC-O-H		42.2	45.4			22.0	14.0		16.0					R1/4	53.5
B8-01SC-O-H	29.5	41.9	46.9	14	8	20.0	14.0	13.5	16.0	16.5	25.5	22.8	16.8	R1/8	68.0
B8-02SC-O-H		44.9	49.9			23.0	14.0		17.0					R1/4	73.0
B8-03SC-O-H		45.9	50.9			24.0	17.0		17.6					R3/8	80.5
B10-02SC-O-H	33.4	48.7	54.7	17	10	24.5	17.0	16.5	18.5	20.2	30.9	24.6	17.6	R1/4	116.5
B10-03SC-O-H		49.7	55.7			25.5	17.0		19.1					R3/8	123.0
B12-03SC-O-H	35.9	52.7	61.8	19	12	26.5	19.0	18.5	20.1	21.2	32.9	26.2	19.2	R3/8	159.3
B12-04SC-O-H		56.7	65.8			30.5	21.0		22.5					R1/2	176.3



Common Precautions for Joint Products

[Design and Selection]



(Danger)

1. Do not use the product together with the following equipment:
 - (1) Medical devices related to the support or management of human life or body
 - (2) Mechanism or machinery intended for the move or transportation of humans
 - (3) Devices of which particular safety is required



(Warning)

1. Be sure to check the specifications to use the product within the described specification of the product.
 - (1) The products listed in this catalog are designed for use only in pneumatic systems, vacuum environment, and industrial water. The use in other specifications than described for each product may lead to destruction or malfunction.
 - (2) For the determination of piping appropriateness, either the designer of the pneumatic system or a person responsible to finalize the technical specifications should take charge.
 - (3) Incorrect handling of compressed air is not only very dangerous, but also may impair the product safety. The installation of compressed air to devices and its maintenance work should be carried out by a well versed and experienced person.
 - (4) Note that the minimum bending radius represents a reference value at a temperature of 20°C and a relative humidity of 65%. It is not a guaranteed value.
 - (5) The maximum usage pressure in tube may vary depending on service temperature. To select an appropriate type, take into account the safety factor by referring to the correction coefficient of burst pressure by temperature.
 - (6) Do not use tubes other than spatter proof type in an environment where spatter is generated.
2. Do not use the products in such environments as described below.
 - (1) Places where the product is exposed to high temperature and humidity, direct sunlight, or extremely low temperature.
 - (2) Places where excessive vibration or impact may be applied to the product.
 - (3) Atmosphere of corrosive gas, flammable gas, chemical agent, or places where salt water, water other than industrial water or vapor may be attached to the product.
 - (4) Places where there is a heat source nearby and the product is subjected to its radiation. (5) Places where charged static electricity, etc. may have an impact on the product.
 - (6) Places where non-compliant pipe joints or tubes are exposed to generated spatter.
 - (7) Clean room or the like.
 - (8) Places where foreign materials may be attached or mixed in.
3. Never attempt to disassemble or modify the product.
 - (1) Doing so could impair the performance or functioning of the product, which may result in personal injury or an accident.
4. Check if PTFE is available.
 - (1) PTFE (polytetrafluoroethylene) powder is contained in the sealant applied to the threaded portion. Check if there is no problem in use.



(Caution)

1. Note that the tube connection and universal parts, which are easily to rotate, have no function as an rotary apparatus. Therefore, you can use them to adjust the orientation of piping; however, do not use them in any fluctuating or rotating portion.
 - (1) Otherwise, joints or tubes may be damaged.
2. Use a tube with the minimum bending radius or greater, allowing as much leeway as possible.
 - (1) When bending radius is not enough, it may result in the damage of joint or the kink or break of tube.
 - (2) Refer to JIS B 8381 for the rate of tube deformation at the minimum bending radius.
3. Do not use the product in any other bodies of fluid than specified in the specification.
 - (1) Our products can be used in compressed air, vacuum, and industrial water environments.
4. When the products are used in water piping, take into consideration the effect caused by surge pressure.

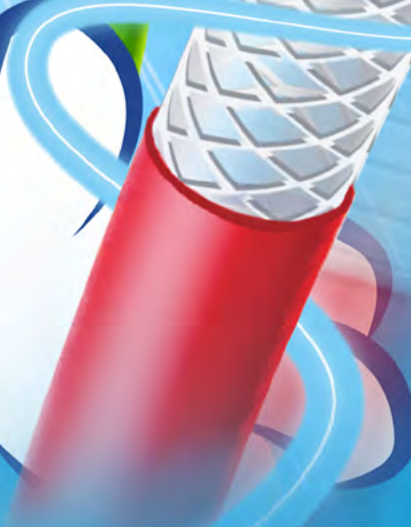
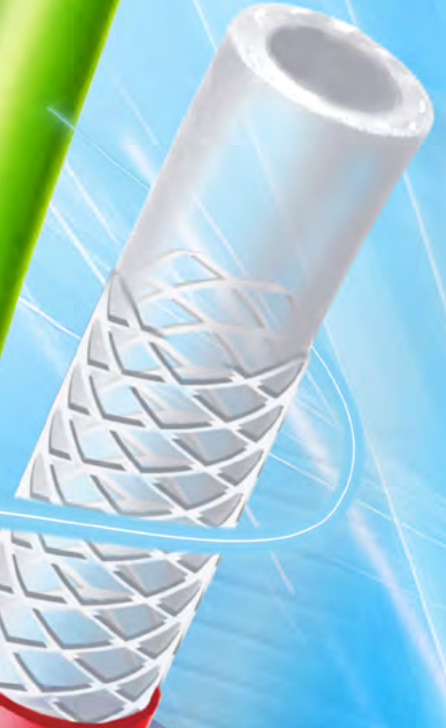


TUBE & HOSE

TUBE & HOSE



Made in Japan




TUBE สายยางอุตสาหกรรม

Hydrolysis Resistant Polyurethane Tubing	B37
Nylon TN Tubing	B38
L-Flex Tubing Anti-Spatter PUR Tubing	B39
ALE Type L-Flex Tubing Anti-Spatter PUR Tubing	B40
TE-AF Anti-Spatter Tubing	B41
Super Hydrolysis Resistant Polyurethane Tubing P-Flex	B42
Tubing TFN	B43
Low Friction Tubing	B43

HOSE สายยางเสริมเชือกถัก

Polyurethane Braided Hose	B44
Soft Polyurethane Braided Hose	B45
Spiral Yellow Line	B46

OTHERS อื่นๆ

Tube Cutter	B45
Pulse Blow Controller	B47
Megahose Balancer	B47

HYDROLYSIS RESISTANT POLYURETHANE TUBING

สายลมโพลียูรีเทน

TUBE & HOSE

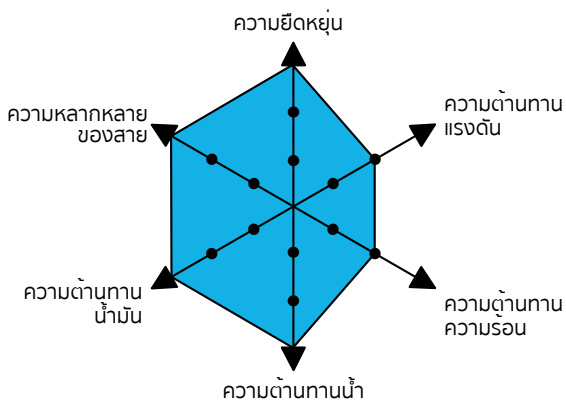
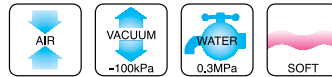


Made in Japan



- ทำจากโพลียูรีเทน เหมาะสำหรับงานลม และงานน้ำทั่วไป
- ยืดหยุ่นสูง ทนต่อการเสียดสี และน้ำหนักเบา
- เส้นผ่านศูนย์กลางสายมีขนาดเท่ากันตลอดทั้งเส้น แรงดันและอัตราการไหล จึงไหลผ่านได้อย่างเต็มที่ไม่ว่าจะจุด

BK	ดำ		R	แดง	
Y	เหลือง		CG	เขียวใส	
CY	เหลืองใส		CR	แดงใส	
CBL	ฟ้าใส		W	ขาว	
C	ใส		OR	ส้ม	
LB	ฟ้า		LG	เขียวอ่อน	
G	เขียว				



Media	Compressed Air	Industrial water	Vacuum
Working Temperature Range	-5~60°C <23-140°F>	5~40°C <41-140°F>	-5~60°C <23-140°F>
Max. Burst Pressure	3MPa		
Max. Working Pressure	0.8MPa	0.3MPa	-100kPa
Water hammer considered in value above			
Fitting used	<ul style="list-style-type: none"> • Touch Connector Five • Touch Connector "Fuji" • Sleeve Connector 		<ul style="list-style-type: none"> • Touch Connector Mini • Touch Connector • Hose Fitting

*The value at a temperature of 20°C (68°F)
Please choose dedicated fittings when use industrial water.

Model	O.D. x I.D. (mm)	Min. Turning Radius(mm)	Tolerance (mm)	Weight (kg/m)	Color
TE-4	4 x 2.5	5	±0.1	0.009	
TE-6	6 x 4	12		0.019	
TE-8	8 x 5	15		0.037	
TE-10	10 x 6.5	25	±0.1 -0.15	0.055	
TE-12	12 x 8	28		0.076	
TE-16*	16 x 11	30		0.127	

** สี CY CR CG ไม่มีในรุ่น TE - 16 **

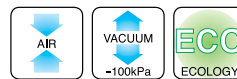
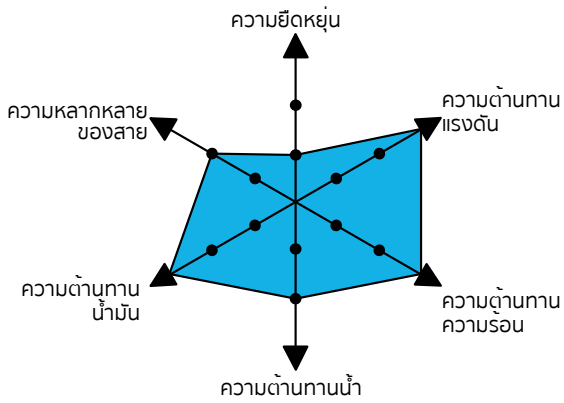
NYLON TN TUBING

สายลมไนลอน



- สายลมไนลอน เหมาะสำหรับงานลม
- ทนต่อการกัดกร่อนจากสารเคมี และน้ำมันได้ดี เช่น น้ำมันหล่อลื่น น้ำมันเครื่องจักร เป็นต้น

BK	ดำ	
Y	เหลือง	
W	ขาว	
G	เขียว	
R	แดง	



Media	Compressed Air	Vacuum
Working Temperature Range	-5~60°C <23-140°F>	
Max. Burst Pressure	6MPa	
Max. Working Pressure	1.5MPa	-100kPa
Fitting used	<ul style="list-style-type: none"> • Touch Connector Five • Touch Connector Mini • Touch Connector "Fuji" • Touch Connector • Sleeve Connector 	

*The value at a temperature of 20°C (68°F)

Model	O.D. x I.D. (mm)	Tolerance (mm)	Min. Turning Radius(mm)	Weight (kg/m)	Color
TN-4 x 2.5	4 x 2.5	±0.1	15	0.008	
TN-4	4 x 3		21	0.006	
TN-6 x 4	6 x 4		25	0.016	
TN-6	6 x 4.5		30	0.013	
TN-8	8 x 6		47	0.022	
TN-10	10 x 7.5	+ 0.1	58	0.036	
TN-12	12 x 9	- 0.15	69	0.052	



L-FLEX TUBING ANTI-SPATTER PUR TUBING

สายลมนทนสะเก็ดไฟ

TUBE & HOSE

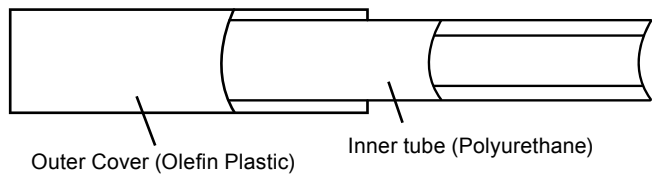
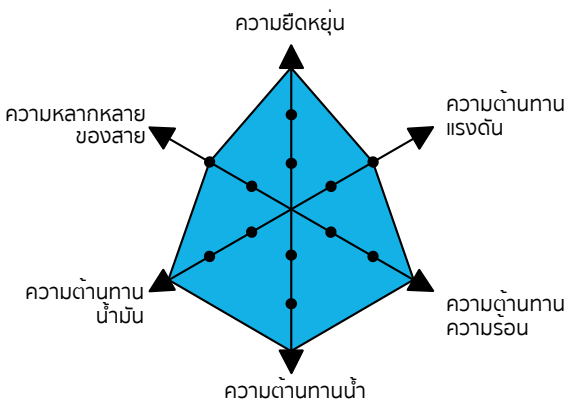


Made in Japan

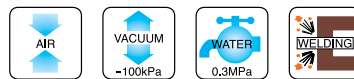
CHIYODA



- เหมาะสำหรับงานลม และงานน้ำ
- ทนต่อสะเก็ดไฟ เช่น สะเก็ดไฟจากเครื่องเชื่อม
- สายลม PU หุ้มด้วยพลาสติก Olefin คุณภาพสูง (ประเภททนไฟ)
- ทนต่อการเสียดสีได้ดีเยี่ยม
- สามารถผลิตสาย L-Flex แบบเรียงติดกันหลายสาย หรือหลายสี ให้เหมาะสมตามการใช้งาน
- หมายเหตุ : ต้องปกสายชั้นนอกก่อนสวมต่อเข้ากับข้อต่อฟิตติ้ง



BK	ดำ		G	เขียว	
W	ขาว		LB	ฟ้า	
Y	เหลือง		R	แดง	



Media	Compressed Air	Industrial water	Vacuum
Working Temperature Range	-5~60°C<23-140°F>	5~40°C<41-104°F>	-5~60°C<23-140°F>
Max. Burst Pressure	3MPa		
Max. Working Pressure	0.8MPa	0.3MPa	-100kPa
Water hammer considered in value above			
Fitting used	<ul style="list-style-type: none"> • Touch Connector Five • Touch Connector (H) • Hose Fitting 	<ul style="list-style-type: none"> • Touch Connector "Fuji" (H) • Sleeve Connector 	

*The value at a temperature of 20°C (68°F)
Please choose dedicated fittings when use industrial water.

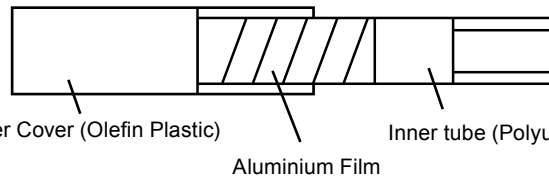
Model	O.D. x I.O.D. x I.D. (mm)	Min. Turning Radius (mm)	Weight (kg/m)	Color
LE-6	8 x 6 x 4	15	0.050	
LE-8	10 x 8 x 5	20	0.076	
LE-10	12 x 10 x 6.5	25	0.103	
LE-12	14 x 12 x 8	30	0.132	

ALE TYPE L-FLEX TUBING ANTI-SPATTER PUR TUBING

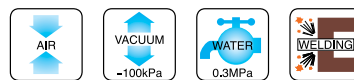
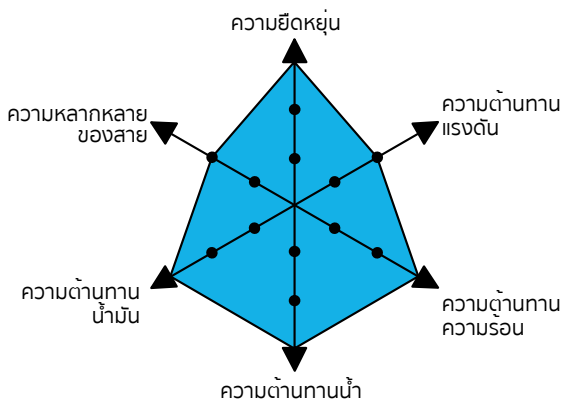
สายลมทนสะเก็ดไฟ



- เหมาะสำหรับงานลม และงานน้ำ
- ทนต่อสะเก็ดไฟ เช่น สะเก็ดไฟจากเครื่องเชื่อม
- สายลม PU หุ้มสองชั้นด้วยฟิล์มอะลูมิเนียม และพลาสติก Olefin คุณภาพสูง (ประเภททนไฟ)
- ทนต่อการเสียดสีได้ดีเยี่ยม
- สามารถใช้กับงานหล่อเย็น หรืองานลมได้
- สามารถสั่งผลิตสาย L-Flex แบบเรียงติดกันหลายสาย หรือหลายสี ให้เหมาะสมตามการใช้งาน
- หมายเหตุ : ต้องปอกสายชั้นนอกก่อนสวมต่อเข้ากับข้อต่อฟิตติง



BK	ดำ	
W	ขาว	
Y	เหลือง	
G	เขียว	
LB	ฟ้า	
R	แดง	



Media	Compressed Air	Industrial water	Vacuum
Working Temperature Range	-5~60°C <23-140°F>	5~40°C <41-140°F>	-5~60°C <23-140°F>
Max. Burst Pressure	3MPa		
Max. Working Pressure	0.8MPa	0.3MPa	-100kPa
Water hammer considered in value above			
Fitting used	<ul style="list-style-type: none"> • Touch Connector Five • Touch Connector "Fuji" • Sleeve Connector 	<ul style="list-style-type: none"> • Touch Connector Mini • Touch Connector • Hose Fitting 	

*The value at a temperature of 20°C (68°F)
Please choose dedicated fittings when use industrial water.

Model	O.D. x I.O.D. x I.D. (mm)	Min. Turning Radius (mm)	Weight (kg/m)	Color
ALE-6	8.2 x 6 x 4	60	0.053	
ALE-8	10.2 x 8 x 5	80	0.080	
ALE-10	12.2 x 10 x 6.5	100	0.108	
ALE-12	14.2 x 12 x 8	120	0.140	



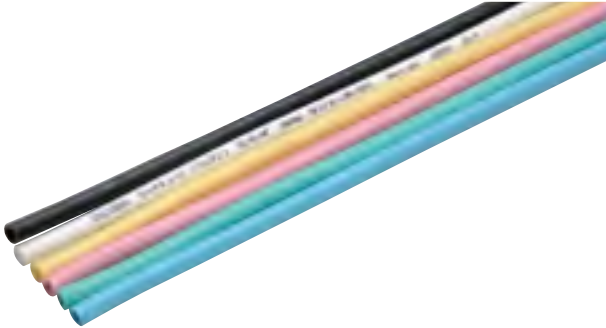
TE-AF ANTI-SPATTER TUBING

สายลมนทนสะเก็ดไฟ

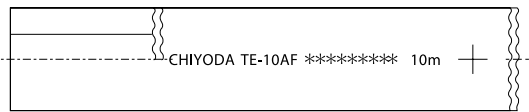
TUBE & HOSE



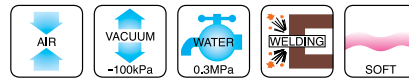
Made in Japan



- เหมาะสำหรับงานลม และงานน้ำ
- พัฒนามาเพื่อใช้ร่วมกับหุ่นยนต์เชื่อมที่มีสะเก็ดไฟ
- สามารถสวมต่อเข้ากับฟิตติ้ง one touch โดยไม่ต้องปอกสายชั้นนอก
- วัสดุเป็น Polyether-based PUR นทนทานต่อการกัดกร่อนของสารเคมี
- สามารถใช้กับน้ำหล่อเย็น หรืองานลม
- ตัวสายมีความยืดหยุ่นสูงกว่าสายไนลอน



BK	ดำ		G	เขียว	
W	ขาว		LB	ฟ้า	
Y	เหลือง		R	แดง	



Media	Compressed Air	Industrial water	Vacuum
Working Temperature Range	-5~60°C <23-140°F>	5~40°C <41-140°F>	-5~60°C <23-140°F>
Max. Burst Pressure	3MPa		
Max. Working Pressure	0.8MPa	0.3MPa	-100kPa
Water hammer considered in value above			
Anti-Flaming Character	Oxygen index method28 / Equivalent of UL-94 V0		
Fitting used	<ul style="list-style-type: none"> • Touch Connector Five • Touch Connector "Fuji" • Sleeve Connector 	<ul style="list-style-type: none"> • Touch Connector Mini • Touch Connector • Hose Fitting 	

*The Value at a temperature of 20°C (68°F)
Please choose dedicated fittings when use industrial water.

Model	O.D. x I.D. (mm)	Tolerance (mm)	Min. Turning Radius(mm)	Weight (kg/m)	Color
TE-6-AF	6.0 x 4.0	± 0.1	15	0.019	
TE-8-AF	8.0 x 5.0		20	0.037	
TE-10-AF	10.0 x 6.5	+ 0.1	25	0.055	
TE-12-AF	12.0 x 8.0	- 0.15	30	0.076	

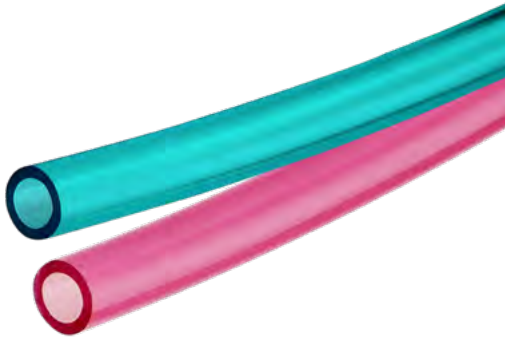
SUPER HYDROLYSIS RESISTANT POLYURETHANE TUBING P-FLEX SERIES

สายน้ำทนอุณหภูมิ

TUBE & HOSE

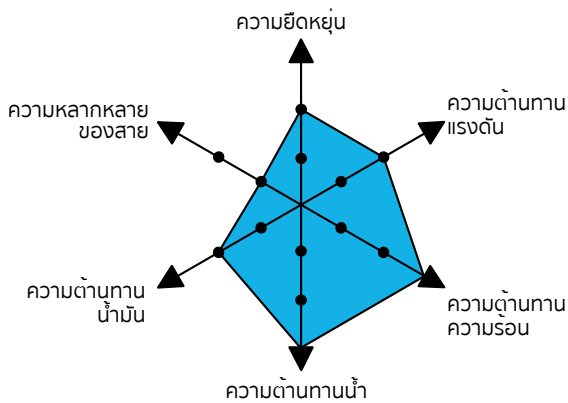
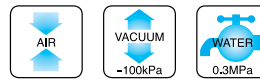
CHIYODA

Made in Japan



- ทนต่อไฮโดรไลซิส เหมาะสำหรับงานหล่อเย็น
- ยืดหยุ่นสูง โค้งงอได้ดี
- สามารถทนต่อความร้อน และเย็น
- ทนต่อน้ำมัน เช่น น้ำมันหล่อลื่น น้ำมันเครื่องจักร เป็นต้น

CB	สีฟ้าใส		CP	สีชมพูใส	
----	---------	--	----	----------	--



Media	Industrial water
Working Temperature Range	0~80°C
Max. Burst Pressure	3MPa
Max. Working Pressure	0.3MPa
Water hammer considered in value above	
Fitting used	Touch Connector, Touch Connector viton (Special order)

* The value at a temperature of 20°C(68°F)

Model	O.D. x I.D. (mm)	Min. Turning Radius(mm)	Tolerance (mm)	Weight (kg/m)	Color
8P	8 x 5	15	+0.05 -0.2	0.037	
10P	10 x 6.5	25	+0.1	0.055	
12P	12 x 8	28	-0.2	0.076	

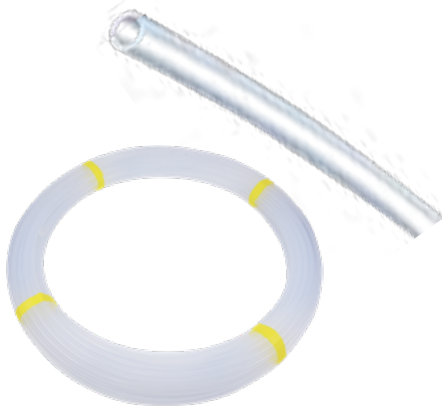
TUBING TFN (TEFLON)

สายเทฟลอน

TUBE & HOSE



Made in Japan



- มีส่วนผสมของฟลูออรีนเรซิน PFA จึงทนทานต่อความร้อน และสารเคมีได้ดี
- ใช้ได้ในหลากหลายงานอุตสาหกรรม เช่น อุตสาหกรรมอาหาร อุตสาหกรรมทางการแพทย์ งานผลิตสารเคมี และเซมิคอนดักเตอร์
- พื้นผิวด้านในเรียบและลื่นเป็นพิเศษ จึงป้องกันคราบของเหลวเกาะติดภายในสาย

Media	Corrosive fluid, chemicals
Working Temperature Range	260°C Refer the List
Max. Burst Pressure	Refer the burst pressure correction Graph
Recommended Fitting	SUS316

Maximum service temperature of PFA is 260 °C. Tube maximum burst pressure decreases as temperature increases. Refer to graph of burst pressure coefficient by temperature.



Model	O.D. x I.D. (mm)	Burst Pressure (Mpa)	Max. Working Pressure (Mpa)	Min. Turning Radius (mm)	Tolerance (mm)	Weight (kg/m)
TFN-4	4 x 2	10.0	2.5	30	±0.1	0.02
TFN-6	6 x 4	7.0	1.7	50	±0.1	0.03
TFN-8	8 x 6	4.0	1.0	80	±0.1	0.05
TFN-10	10 x 8	3.0	0.8	120	±0.12	0.06
TFN-12	12 x 10	3.0	0.7	200	±0.15	0.10

LOW FRICTION TUBING

สายลมนทนแรงเสียดสี



- สายผลิตจากพลาสติกโพลีเอทิลีนชนิดพิเศษ ช่วยลดการเสียดสีของพื้นผิวสาย และป้องกันการสึกหรอจากการเคลื่อนที่ของสายได้ดี

Media	Compressed Air
Working Temperature Range	-5~60°C
Burst Pressure	3MPa
Max. Working Pressure	0.8MPa (20°C)
Static friction Coefficient	0.1(*TE Tube 0.4)

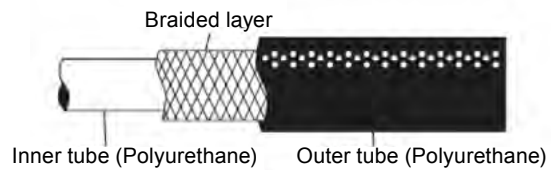
Model	O.D. x I.D. (mm)	Tolerance (mm)	Min. Turning Radius(mm)	Weight (g/m)	Color
TE-4-LF	4 x 2.5	±0.1	5	9	<div style="display: flex; flex-direction: column; align-items: center;"> <div style="background-color: black; color: white; padding: 2px;">BK</div> <div style="background-color: blue; color: white; padding: 2px;">LB</div> <div style="border: 1px solid black; padding: 2px;">W</div> </div>
TE-6-LF	6 x 4		12	19	
TE-8-LF	8 x 5		15	37	

POLYURETHANE BRAIDED HOSE

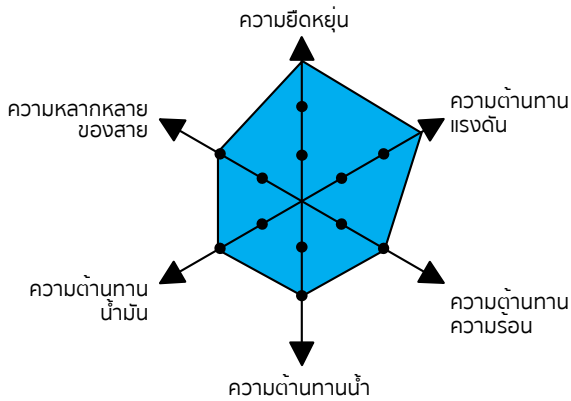
สายลมใยถัก



- สายโพลียูรีเทนชนิดเสริมใยถัก ช่วยให้สายมีความทนทานและยืดหยุ่นได้ดี
- เหมาะสำหรับงานในจุดที่มีการลากถู
- สามารถทนความร้อน และความเย็นได้ดี



GR	สีเทา		OR	สีส้ม	
LG	สีเขียวอ่อน		R	แดง	



Media	Compressed Air	Vacuum
Working Temperature Range	-5~60°C <23-140°F>	
Max. Burst Pressure	6MPa ("ZH" , 9MPa)	
Max. Working Pressure	1.5MPa	-100KPa
Fitting used	Mega-Fitting, Nut-Coupling	

* The value at a temperature of 20°C(68°F)

Model	I.D. x O.D.(mm)	Min. Turning Radius(mm)	Tolerance (mm)	Weight (kg/m)	Color
AH-6.5	6.5 x 10	50	±0.2	0.055	
AH-8	8 x 12	60		0.076	
AH-11	11 x 16	80		0.132	
BH-6	6 x 9	45		0.045	
BH-6.5	6.5 x 10	50		0.055	
BH-8	8 x 12	60		0.076	
LH-6	6 x 9	45		0.045	
LH-6.5	6.5 x 10	50		0.055	
LH-8	8 x 12	60		0.076	
LH-11	11 x 16	80		0.132	



SOFT POLYURETHANE BRAIDED HOSE

สายลมใยถัก

TUBE & HOSE



Made in Japan

CHIYODA



- เหมาะสำหรับงานลม
- สายยืดหยุ่น และโค้งงอได้ดีเยี่ยม

LG	สีเขียวอ่อน	
----	-------------	--



Media	Compressed Air
Working Temperature Range	-5~60°C <23-140°F>
Max. Burst Pressure	5MPa
Max. Working Pressure	1.0MPa
Fitting used	Hose Fitting, Nut-Coupling

* The value at a temperature of 20°C(68°F)

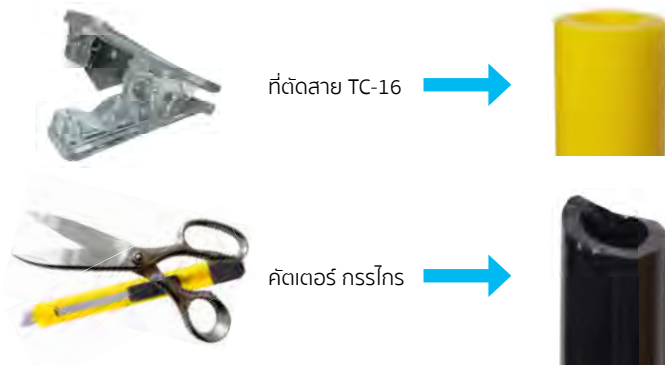
Model	I.D. x O.D. (mm)	Tolerance (mm)	Min. Turning Radius (mm)	Weight (kg/m)	Color
DH-6.5	6.5 x 10	±0.2	40	0.06	
DH-8	8 x 12		45	0.08	
DH-11	11 x 16		65	0.14	

TUBE CUTTER

คัตเตอร์ตัดสาย



- สามารถตัดสายลมขนาดเส้นผ่านศูนย์กลางสูงสุด 16 mm
- ตัดสายลมได้ง่ายและได้หน้าตัดที่ตรง และได้จากกว่าคัตเตอร์ทั่วไป จึงช่วยป้องกันการเกิดลมรั่ว



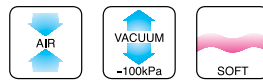
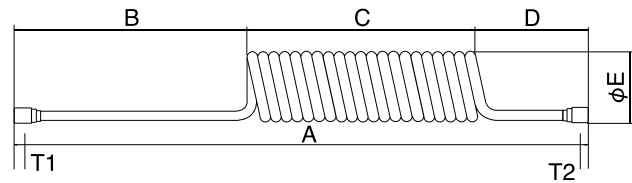
Model	A	B	C	E	Weight (g)
TC-16	80.0	31.5	27.5	25.0	35.0

SPIRAL YELLOW LINE

สายลมสปริง



- สายมีความโค้งงอและยืดหยุ่นได้ดี กว่าสายโพลีเอทิลีนและสแตนเลส
- สามารถทนอุณหภูมิร้อนและเย็นได้ดี
- น้ำหนักเบา



Media	Compressed Air	Vacuum
Working Temperature Range	-5~60°C <23-140°F>	
Max. Burst Pressure	3MPa	
Max. Working Pressure	0.8MPa	-100kPa

* The value at a temperature of 20°C(68°F)

วิธีการอ่านรหัสสินค้า

TPS - 8 05 - 01 05 Y

Spiral Hose

8 : 8 mm
10 : 10mm
12 : 12mm
16 : 16mm

03 : 2.5mm
05 : 5mm
08 : 7.5mm
10 : 10mm

100mm

500mm

สีมาตรฐาน : เหลือง

Model	Hose Size I.D. x O.D.	Service Length (mm)	Hose Length (mm)	A (mm)	B (mm)	C (mm)	D (mm)	ØE (mm)	Weight (g)
TPS-803-0105Y	5 x 8	2,000	2,500	780	500	180	100	42	190
TPS-805-0105Y		4,000	5,000	1,000	500	400	100		280
TPS-808-0105Y		6,000	7,500	1,230	500	630	100		370
TPS-810-0105Y		8,000	10,000	1,400	500	800	100		460
TPS-1003-0105Y	6.5 x 10	2,000	2,500	785	500	185	100	52	230
TPS-1005-0105Y		4,000	5,000	1,000	500	400	100		360
TPS-1008-0105Y		6,000	7,500	1,235	500	635	100		500
TPS-1010-0105Y		8,000	10,000	1,400	500	800	100		630
TPS-1203-0105Y	8 x 12	2,000	2,500	780	500	180	100	65	320
TPS-1205-0105Y		4,000	5,000	990	500	390	100		510
TPS-1208-0105Y		6,000	7,500	1,190	500	590	100		700
TPS-1210-0105Y		8,000	10,000	1,380	500	780	100		880
TPS-1603-0105Y	11 x 16	2,000	2,500	720	500	120	100	108	580
TPS-1605-0105Y		4,000	5,000	840	500	240	100		900
TPS-1608-0105Y		6,000	7,500	1,000	500	400	100		1,200
TPS-1610-0105Y		8,000	10,000	1,170	500	570	100		1,500





PULSE BLOW CONTROLLER

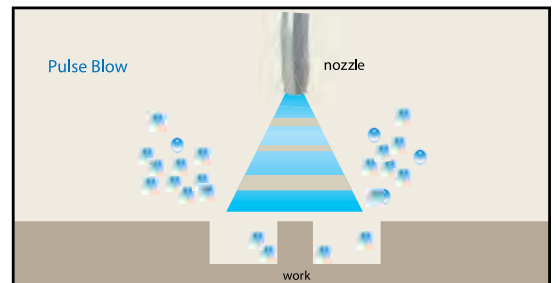
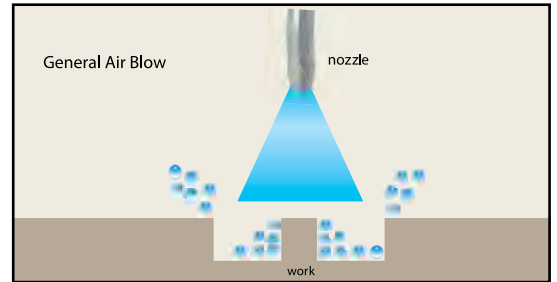
อุปกรณ์ควบคุมลม



PB-C1000A

PB-1000S

- ควบคุมการปล่อยลมแบบลมกระแทกเป็นจังหวะ ช่วยเพิ่มประสิทธิภาพการเป่าลม และประหยัดพลังงานลมสูงถึง 50% (เทียบกับการเป่าลมทั่วไป)



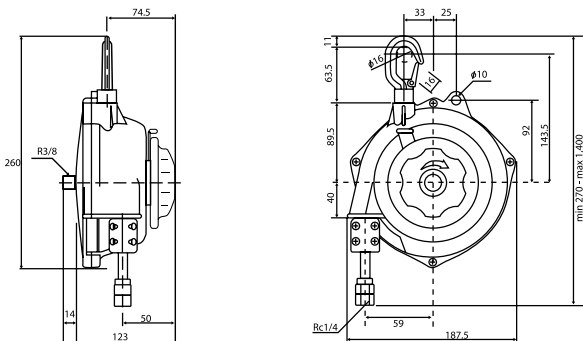
Model	PB-C1000A	PB-1000S
Media	Compressed Air	
Working Pressure Range	0.3~1MPa	0.3~0.7MPa
Working Temperature Range	0~60°C	
Pulse Control Range	MAX15Hz	2~15Hz
Weight	173g	344g

MEGAHOSE BALANCER

บาลานเซอร์



- ดลสายทำจากอลูมิเนียม เพิ่มความแข็งแรง และทนต่อแรงกระแทกภายนอก
- สามารถปรับควบคุมแรงดึงที่ตัวเครื่องได้ โดยไม่ต้องใช้เครื่องมือ ช่วยลดการเกิดอุบัติเหตุ
- สายภายในดลเป็นสายประเภทโพลียูรีเทนเสริมใยถัก ขนาด 8x10.5 มม.



Model	MHB-83
Media	Compressed Air
Working Tempature Range	0~60°C
Max. Working Pressure	1MPa
Capacity	1~3Kg
Stroke	1.3m
Hose	MH-8 (8x10.5mm) Polyurethane Braided Hose
Weight	2.5Kg

* The value at a temperature of 20°C(68°F)



Common Precautions for Tube Products

[Design and Selection]

(Danger)

- Do not use the product together with the following equipment:
 - Medical devices related to the support or management of human life or body
 - Mechanism or machinery intended for the move or transportation of humans
 - Devices of which particular safety is required

(Warning)

- Be sure to check the specifications to use the product within the described specification of the product.
 - The products listed in this catalog are designed for use only in pneumatic systems, vacuum environment, and industrial water. The use in other specifications than described for each product may lead to destruction or malfunction.
 - For the determination of piping appropriateness, either the designer of the pneumatic system or a person responsible to finalize the technical specifications should take charge.
 - Incorrect handling of compressed air is not only very dangerous, but also may impair the product safety. The installation of compressed air to devices and its maintenance work should be carried out by a well versed and experienced person.
 - Note that the minimum bending radius represents a reference value at a temperature of 20°C and a relative humidity of 65%. It is not a guaranteed value.
 - The maximum usage pressure in tube may vary depending on service temperature. To select an appropriate type, take into account the safety factor by referring to the correction coefficient of burst pressure by temperature.
 - Do not use tubes other than spatter proof type in an environment where spatter is generated.
- Do not use the products in such environments as described below.
 - Places where the product is exposed to high temperature and humidity, direct sunlight, or extremely low temperature.
 - Places where excessive vibration or impact may be applied to the product.
 - Atmosphere of corrosive gas, flammable gas, chemical agent, or places where salt water, water other than industrial water or vapor may be attached to the product.
 - Places where there is a heat source nearby and the product is subjected to its radiation. (5) Places where charged static electricity, etc. may have an impact on the product.
 - Places where non-compliant pipe joints or tubes are exposed to generated spatter.
 - Clean room or the like.
 - Places where foreign materials may be attached or mixed in.

Caution

- When the service conditions are different between the tube and the joint
 - Apply the smaller value of each condition within the specification range.
- Use a tube with the minimum bending radius or greater, allowing as much leeway as possible.
 - When bending radius is not enough, it may result in the damage of joint or the kink or break of tube.
 - The deformation ratio of tube at the minimum bending radius is measured by the following method in compliance with JIS B 8381. Wrap a tube around a mandrel of which the radius is equal to the minimum bending radius, and calculate the deformation ratio based on the calculus equation below, substituting an outer diameter of tube for d , a diameter of mandrel for D , and a measured value for L .

$$\eta = \left(1 - \frac{L - D}{2d} \times 100\right)$$

η : Deformation ratio (%), within 25% of standard value

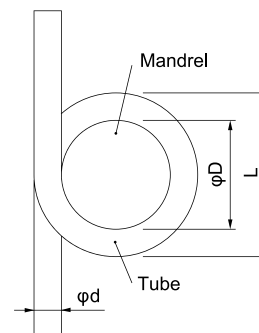
ϕd : Outer diameter of tube (mm)

L : Measured value (mm)

D : Diameter of mandrel (mm)

Test temperature : 20±5°C

Relative humidity : 65±5°C



3. When used in water piping

- Take into consideration the effect of surge pressure. Tube under excessive usage pressure may burst or easily come off.
 - Take into consideration the effect of water weight. Otherwise, a long material or a product of a large diameter may easily come off.
4. Be cautious about an abnormal increase in temperature possibly caused by adiabatic compression.
- It may result in the blow out of tube because of an excessive temperature increase in tube.





บริษัท นานตีอินเตอร์เทรด จำกัด
NANDEE INTER-TRADE CO., LTD.

314,316,318,320,322 ซอยจันทน์ 32 ถนนจันทน์ แขวงทุ่งวัดดอน เขตสาทร กทม. 10120

-  : 0-2675-8239
-  : @nandeeintertrade
-  : nandeeintertrade
-  : www.nandee.co.th
-  : marketing@nandee.co.th
sales@nandee.co.th