

New

STATIC ERASER CROSS-FLOW FAN No. CF-600-E

EDP No. 621674

Wide Area Neutralization

**Ions are directly delivered.
Uniform ionizing performance even in the distance.**

•Slim ionizer with 600mm width •Outstanding Ion Balance within $\pm 10V$



Cleaning Brush



Discharge needle cleaning with a fingertip size sliding part. Easy maintenance.

Built-in cross-flow fan & stepless flow adjustment.



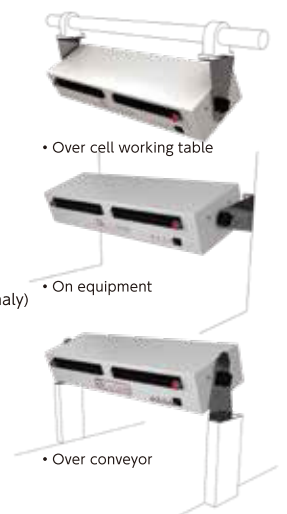
Wide blow cross-flow fan and straight front cover enable superior ionizing performance.
*The above is for illustrative purposes only.

Anomaly alarm lamp & external output terminals equipped.



1. H.V.ALARM (High voltage anomaly)
2. H.V.COM
3. FAN ALARM (Locked fan)
4. FAN COM

Versatile in installation



Silent
51.7
dB
or less

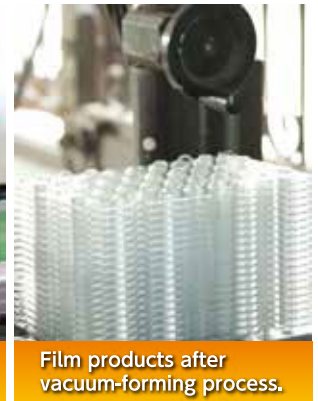
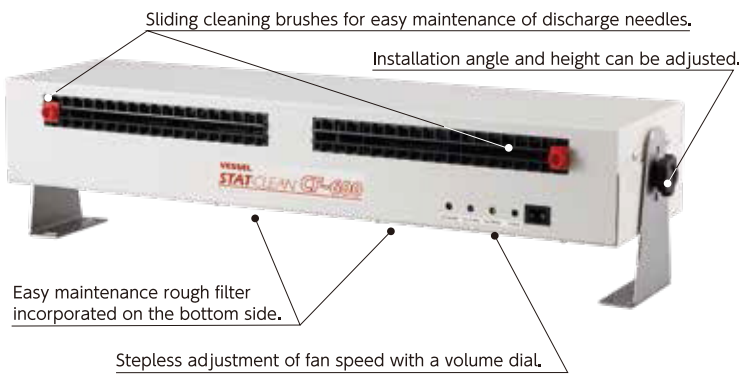
Minimum flow : 47.9dBA
Maximum flow: 51.7dBA
Measured at 1m from the fan (Background noise: 40.6dBA)

Applications

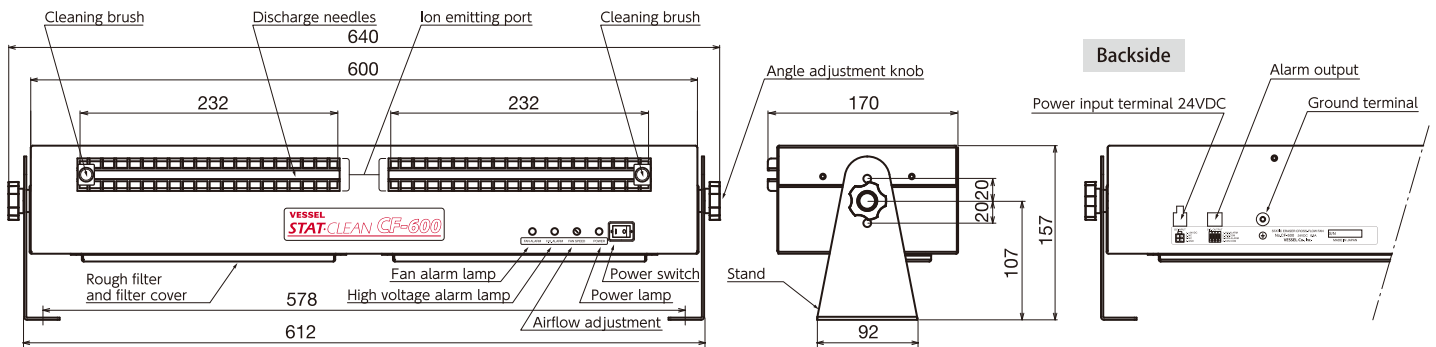
Working table, belt conveyor, cell production line, and so on.

STAT-CLEAN
series

Slim & 600mm-width space saving ionizer, effective in wide area neutralization!



Dimensions



Specifications

Model No.	CF-600-E
Ionizing method	Piezoelectric high-frequency AC corona discharge (Applied voltage 9.5kVAC p-p)
Power supply	24VDC within $\pm 10\%$ (Ripple p-p)
Current consumption	0.9A (max.)
Dimensions	H157×W640×D170 mm (See the above Dimensions for detail.)
Weight	4.6kg
Airflow	2.5 m ³ /min (Max airflow, according to the specifications of the fan)
Noise level	51.7 dBA (Measured at 1m from the center of the front side)
Ozone production	0.05 ppm or less
Alarms	High voltage anomaly detected (H.V. ALARM) Red LED, Fan locked (FAN ALARM) Red LED
Protection functions	Fan motor rotation monitoring function (Constraint detection), High voltage output shut-down function (Overload detection), Power supply fuse 3.15A
Operating temperature and humidity	5 ~ 40°C · 35 ~ 65%RH (with no dew condensation or freezing)
Storage temperature and humidity	0 ~ 60°C · 35 ~ 85%RH (with no dew condensation or freezing)
Operating distance	Approximately 150 ~ 900mm
Installation place	Indoor
Decay time	1.5 second or less (at max. airflow, straight, measured at 300mm)
Ion balance	Within $\pm 10V$ (at the time of shipment, measured at 300mm)
Filter	Rough filter
Materials	Body: SPCC, Stand: SUS304, Discharge needle: Inconel alloy
Accessories	Cleaning brush 2pcs (already mounted on the product), AC adapter AD24-IT19E (EDP No.806137), AC input cable 1.8m

* The measured values were obtained in our measurement environment. The results may differ depending on the actual operating environment.

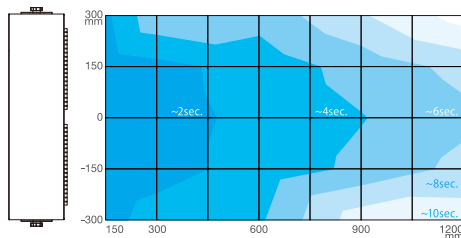
Data (actually measured)

Performance

Maximum airflow

2.9m/s, center, 300mm from the unit.

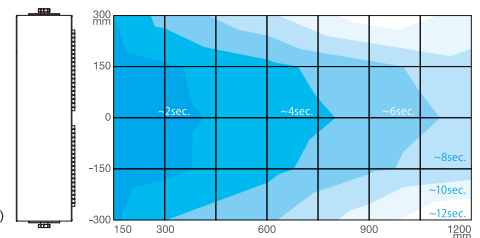
Decay time attenuating from $\pm 1,000V$ to $\pm 100V$ (Measurement device: Trek 158)



Minimum airflow

2.5m/s, center, 300mm from the unit.

Decay time attenuating from $\pm 1,000V$ to $\pm 100V$ (Measurement device: Trek 158)



Replacement parts

- Cleaning brush CF-300B (EDP No.806140)
- Rough filter CF-300F (EDP No.806141)

Warning

- For your safety, read the instruction manual carefully before using this product.
- Never use this product in hazardous area requiring explosion proof measures.
- A high voltage is applied on this product. Make sure that water, oil, solvent, etc., do not come in contact.
- Avoid condensation as it can result in electric shock or product damage.
- Keep away metal objects such as tools or wires, or body parts such as fingers, hands, or face from the discharge needle due to applied high voltage.



บริษัท นานดีอินเตอร์เทรด จำกัด
NANDEE INTER-TRADE CO., LTD.

314,316,318,320,322 ซอยจันทน์ 32 ถนนจันทน์ แขวงทุ่งจั่นดอน เขตสาทร กทม. 10120

☎ : 0-2675-8239

📧 : @nandeeintertrade

📱 : nandeeintertrade

🌐 : www.nandee.co.th

✉ : marketing@nandee.co.th

sales@nandee.co.th